

US00D548747S

(12) **United States Design Patent** (10) **Patent No.:** **US D548,747 S**
Andre et al. (45) **Date of Patent:** **** Aug. 14, 2007**

(54) **MEDIA DEVICE**

(75) Inventors: **Bartley K. Andre**, Menlo Park, CA (US); **Daniel J. Coster**, San Francisco, CA (US); **Daniele De Iuliis**, San Francisco, CA (US); **Richard P. Howarth**, San Francisco, CA (US); **Jonathan P. Ive**, San Francisco, CA (US); **Steve Jobs**, Palo Alto, CA (US); **Duncan Robert Kerr**, San Francisco, CA (US); **Shin Nishibori**, San Francisco, CA (US); **Matthew Dean Rohrbach**, San Francisco, CA (US); **Douglas B. Satzger**, Menlo Park, CA (US); **Calvin Q. Seid**, Palo Alto, CA (US); **Christopher J. Stringer**, Portola Valley, CA (US); **Eugene Antony Whang**, San Francisco, CA (US); **Rico Zorkendorfer**, San Francisco, CA (US)

(73) Assignee: **Apple Inc.**, Cupertino, CA (US)

(**) Term: **14 Years**

(21) Appl. No.: **29/237,231**

(22) Filed: **Aug. 24, 2005**

(51) **LOC (8) Cl.** **14-03**

(52) **U.S. Cl.** **D14/496**

(58) **Field of Classification Search** D14/496,
D14/401, 435, 474, 483, 217, 137, 138, 160,
D14/168; 345/156, 169, 173-179, 905; 715/727-729,
715/864; 455/11.1, 773, 344-347, 93, 95;
370/342-344; 369/1, 2, 6, 12; 463/43-47;
273/148 B

See application file for complete search history.

(56) **References Cited**

U.S. PATENT DOCUMENTS

D264,969 S 6/1982 McGourty
4,976,435 A 12/1990 Shaford et al.
5,192,082 A 3/1993 Inoue et al.
5,661,632 A 8/1997 Register

D412,940 S 8/1999 Kato et al.
5,964,661 A 10/1999 Dodge
D425,885 S 5/2000 Amron
D430,169 S 8/2000 Scibora
6,122,526 A 9/2000 Parulski et al.

(Continued)

OTHER PUBLICATIONS

U.S. Appl. No. 29/224,220, entitled "Media Device" filed Feb. 25, 2005.
U.S. Appl. No. 29/237,096 filed Aug. 24, 2005.
U.S. Appl. No. 29/237,229 filed Aug. 24, 2005.
U.S. Appl. No. 29/237,235 filed Aug. 24, 2005.
U.S. Appl. No. 29/237,226 filed Aug. 24, 2005.
U.S. Appl. No. 29/255,274 filed Mar. 6, 2006.
U.S. Appl. No. 29/237,224 filed Aug. 24, 2005.
U.S. Appl. No. 29/237,228 filed Aug. 24, 2005.
U.S. Appl. No. 29/237,225 filed Aug. 24, 2005.
U.S. Appl. No. 29/237,230 filed Aug. 24, 2005.
U.S. Appl. No. 29/255,294 filed Mar. 6, 2005.
U.S. Appl. No. 29/237,090 filed Aug. 24, 2005.
U.S. Appl. No. 29/237,232 filed Aug. 24, 2005.

Primary Examiner—Prabhakar Deshmukh

(74) *Attorney, Agent, or Firm*—Beyer Weaver LLP

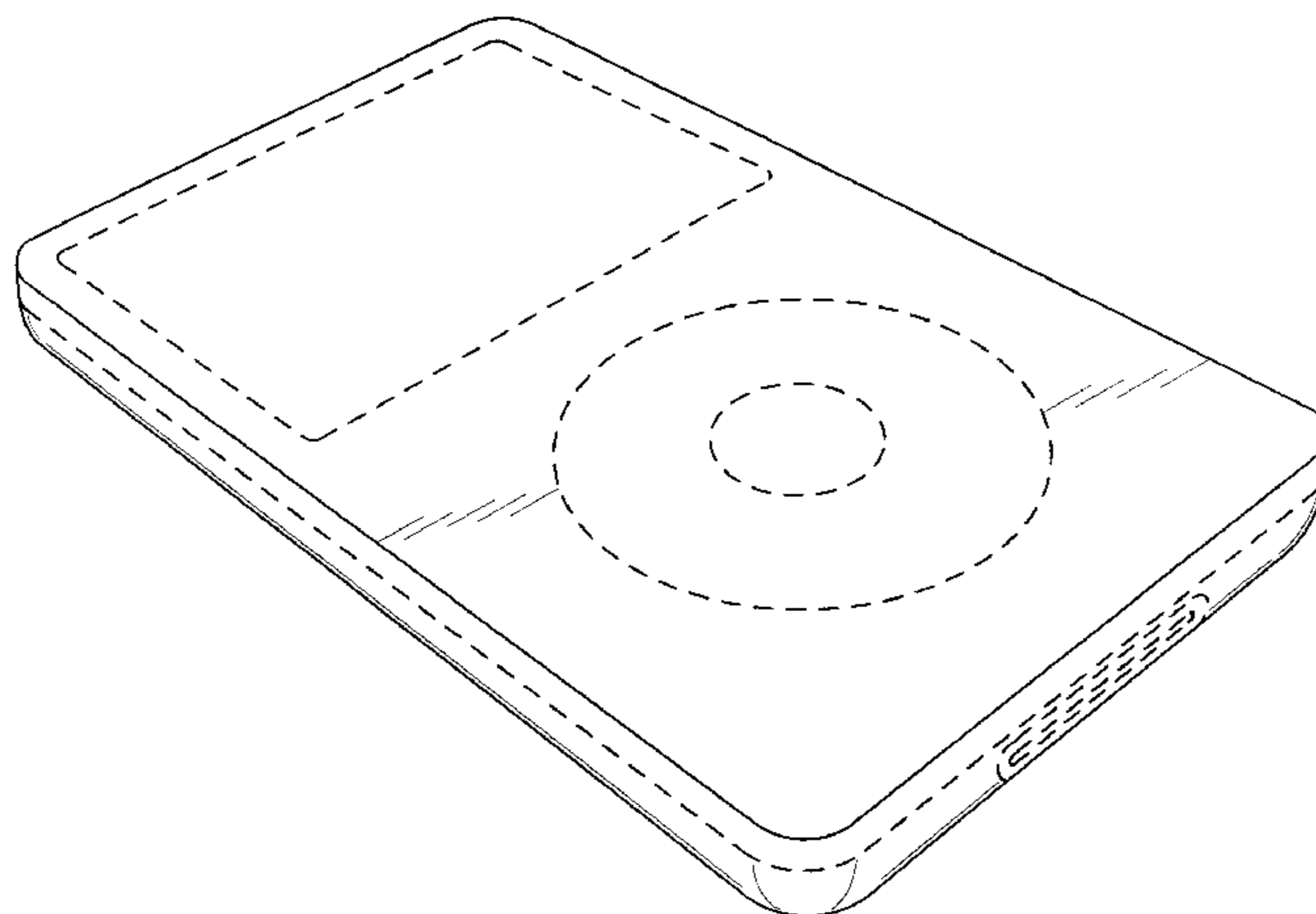
(57) **CLAIM**

We claim the ornamental design for a media device, substantially as shown and described.

DESCRIPTION

FIG. 1 is perspective view of a media device showing our new design;
FIG. 2 is a front view for the media device.
FIG. 3 is a rear view of the media device.
FIG. 4 is a top view of the media device.
FIG. 5 is a bottom view for the media device.
FIG. 6 is a right side view for the media device; and,
FIG. 7 is a left side view for the media device.
The broken lines are for illustrative purpose only and form no part of the claimed design.

1 Claim, 3 Drawing Sheets



US D548,747 S

Page 2

U.S. PATENT DOCUMENTS

D432,523 S	10/2000	Grinkus et al.	
D437,860 S	2/2001	Suzuki et al.	
6,227,966 B1	5/2001	Yokoi	
6,254,477 B1	7/2001	Sasaki et al.	
6,262,785 B1	7/2001	Kim	
D448,810 S	10/2001	Goto	
D450,713 S	11/2001	Masamitsu et al.	
6,314,483 B1	11/2001	Goto et al.	
D452,250 S	* 12/2001	Chan D14/496
D455,793 S	4/2002	Lin	
D468,365 S	1/2003	Bransky et al.	
D469,109 S	1/2003	Andre et al.	
D472,245 S	3/2003	Andre et al.	
D473,207 S	4/2003	Tanio	
6,591,085 B1	* 7/2003	Grady 455/42
D483,809 S	12/2003	Lim	
D486,813 S	* 2/2004	Chun D14/156
D489,052 S	* 4/2004	Shiraki et al. D14/156
D489,731 S	5/2004	Huang	
D490,068 S	5/2004	Chen	
D492,323 S	6/2004	Wang	
D494,188 S	8/2004	Huang	
D497,618 S	10/2004	Andre et al.	
D499,423 S	12/2004	Bahroocha et al.	
D499,424 S	12/2004	Bahroocha	
D506,476 S	6/2005	Andre et al.	
D507,277 S	7/2005	Sitoh	
D509,833 S	9/2005	Yang	
D510,937 S	10/2005	Tsai	
D511,347 S	11/2005	Naruki	
D512,403 S	12/2005	Yang	
6,977,675 B2	* 12/2005	Kotzin 348/208.2
D513,512 S	* 1/2006	Tsai D14/496
D514,120 S	1/2006	Chan	
D514,121 S	1/2006	Johnson	
D514,589 S	2/2006	Chen	
D515,099 S	2/2006	Lee	
D515,546 S	2/2006	Mu	
D516,576 S	* 3/2006	Ive et al. D14/496
D517,088 S	3/2006	Chong et al.	
D518,290 S	4/2006	Andre et al.	
D519,523 S	4/2006	Chiu et al.	
D520,020 S	5/2006	Senda et al.	
7,046,230 B2	* 5/2006	Zadesky et al. 345/156
2004/0224638 A1	11/2004	Fadell et al.	

* cited by examiner

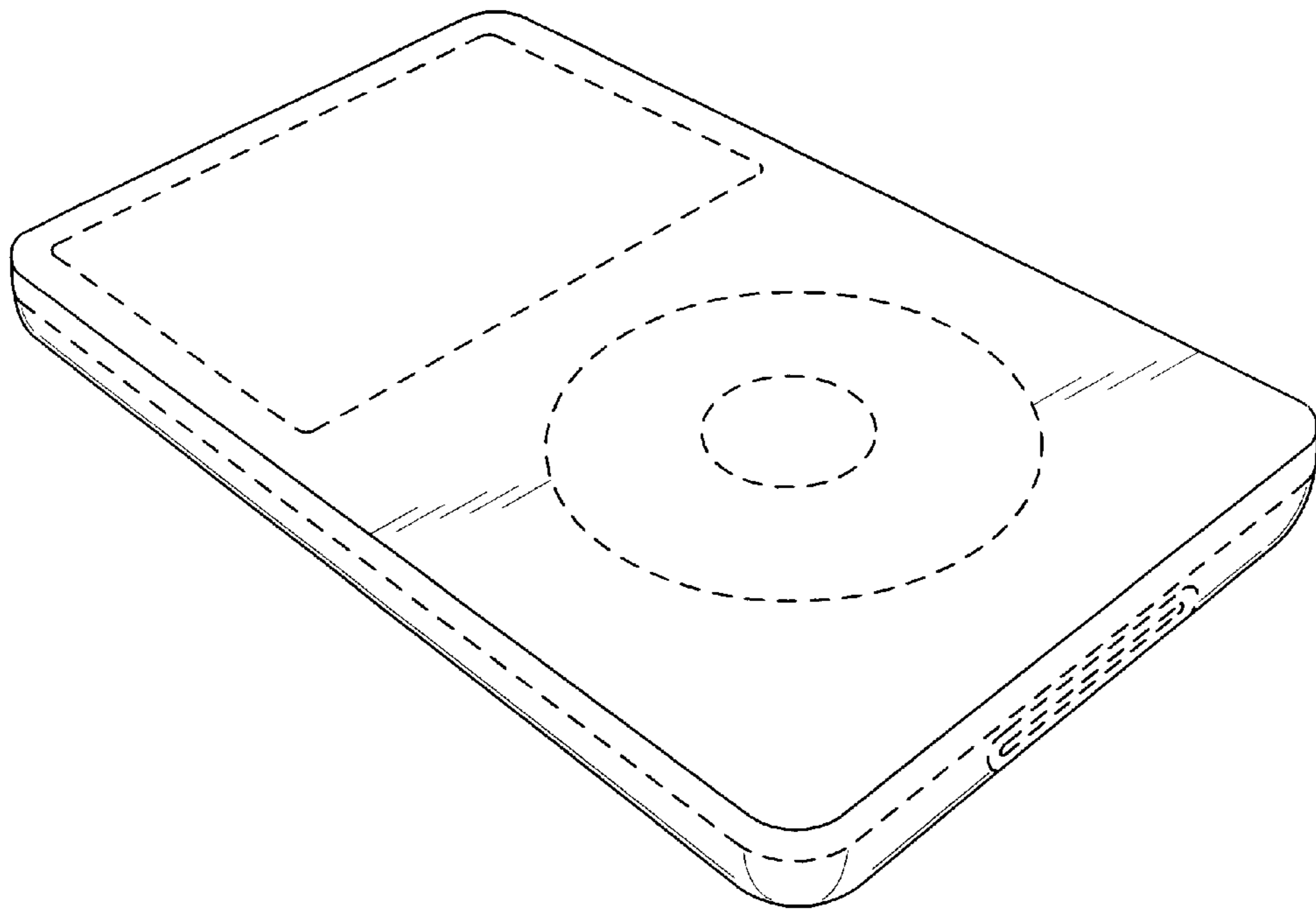


FIG. 1

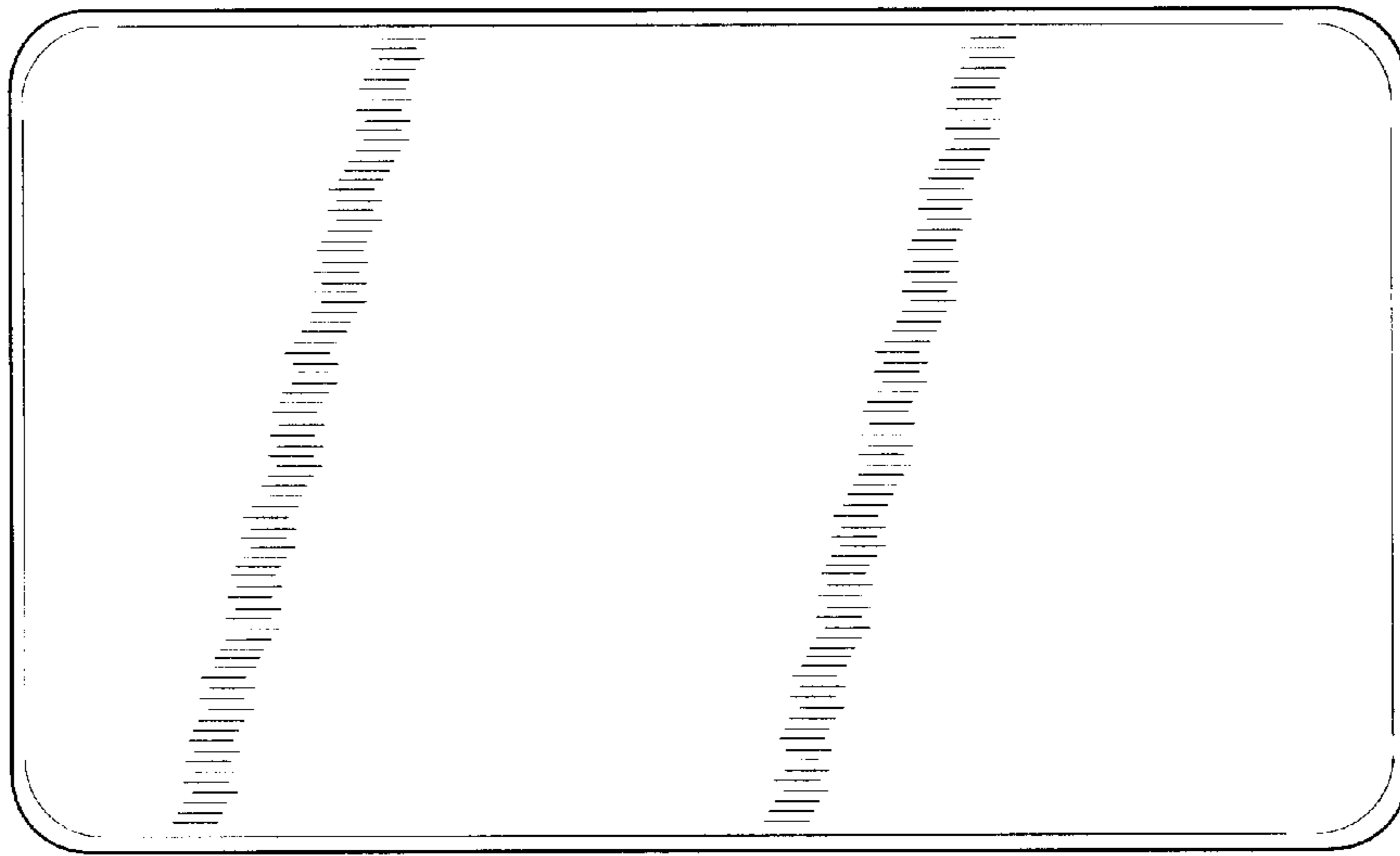


FIG. 3

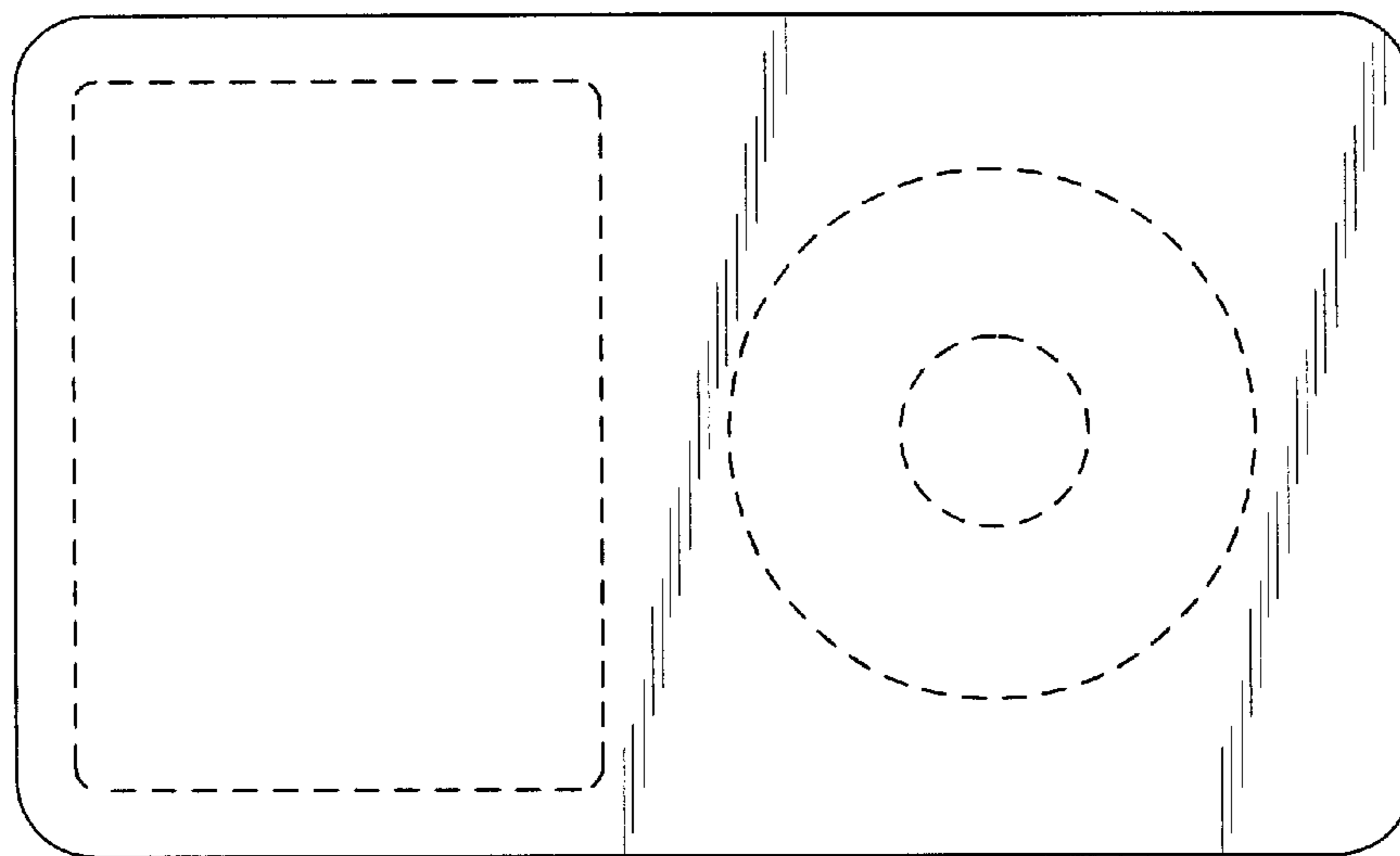


FIG. 2

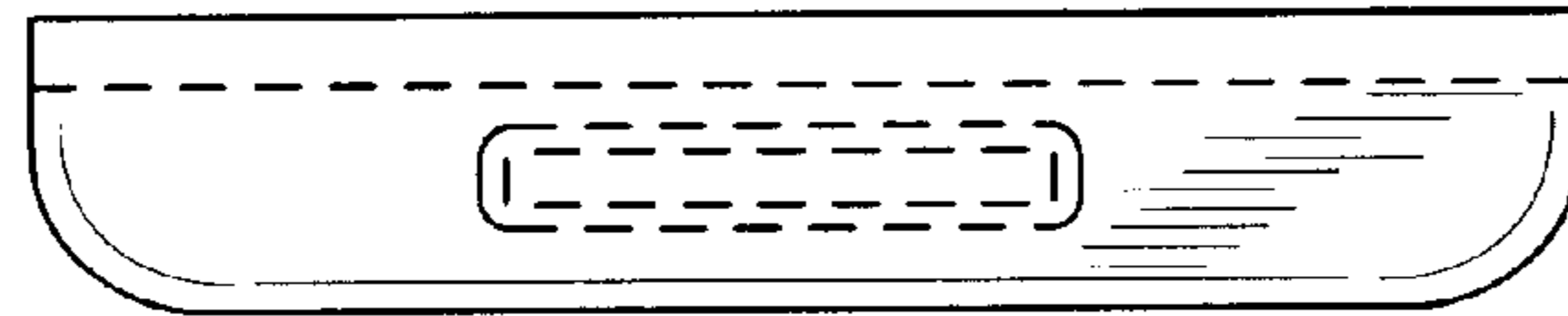


FIG. 4

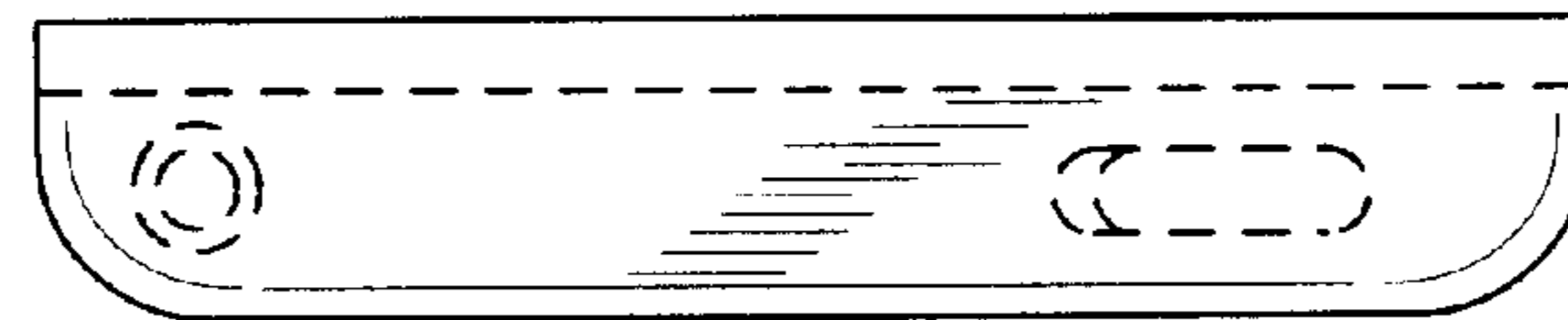


FIG. 5

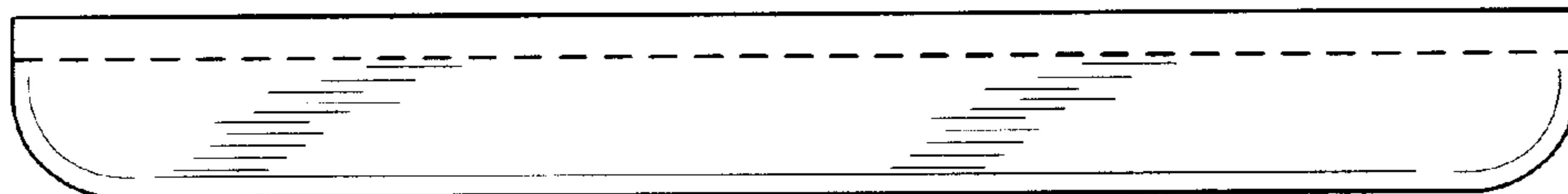


FIG. 6

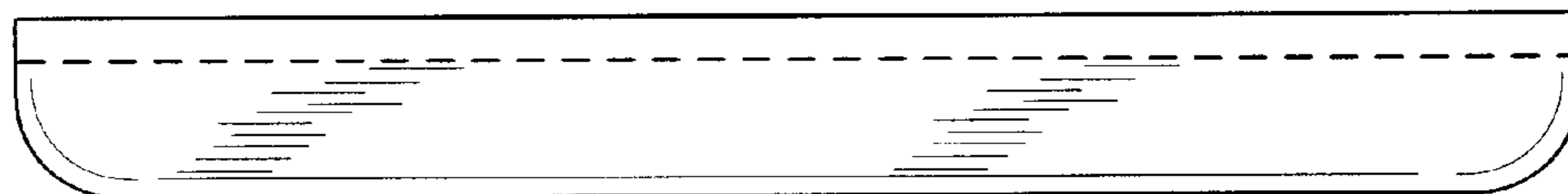


FIG. 7