

US00D548744S

(12) **United States Design Patent**  
**Andre et al.**

(10) **Patent No.:** **US D548,744 S**  
(45) **Date of Patent:** **\*\* Aug. 14, 2007**

(54) **MEDIA DEVICE**

(75) Inventors: **Bartley K. Andre**, Menlo Park, CA (US); **Daniel J. Coster**, San Francisco, CA (US); **Daniele De Iuliis**, San Francisco, CA (US); **Richard P. Howarth**, San Francisco, CA (US); **Jonathan P. Ive**, San Francisco, CA (US); **Steve Jobs**, Palo Alto, CA (US); **Duncan Robert Kerr**, San Francisco, CA (US); **Shin Nishibori**, San Francisco, CA (US); **Matthew Dean Rohrbach**, San Francisco, CA (US); **Douglas B. Satzger**, Menlo Park, CA (US); **Calvin Q. Seid**, Palo Alto, CA (US); **Christopher J. Stringer**, Portola Valley, CA (US); **Eugene Antony Whang**, San Francisco, CA (US); **Rico Zorkendorfer**, San Francisco, CA (US)

4,976,435 A 12/1990 Shaford et al.  
5,192,082 A 3/1993 Inoue et al.  
5,661,632 A 8/1997 Register  
D412,940 S 8/1999 Kato et al.  
5,964,661 A 10/1999 Dodge  
D425,885 S 5/2000 Amron  
D430,169 S 8/2000 Scibora  
6,122,526 A 9/2000 Parulski et al.  
D432,523 S 10/2000 Grinkus et al.  
D437,860 S 2/2001 Suzuki et al.  
6,227,966 B1 5/2001 Yokoi

(Continued)

**OTHER PUBLICATIONS**

U.S. Appl. No. 29/224,220 entitled "Media Device" filed Feb. 25, 2005.

(Continued)

*Primary Examiner*—Prabhakar Deshmukh  
(74) *Attorney, Agent, or Firm*—Beyer Weaver LLP

(73) Assignee: **Apple, Inc.**, Cupertino, CA (US)

(\*\*) Term: **14 Years**

(21) Appl. No.: **29/237,096**

(22) Filed: **Aug. 24, 2005**

(51) **LOC (8) Cl.** ..... **14-03**

(52) **U.S. Cl.** ..... **D14/496**

(58) **Field of Classification Search** ..... D14/496,  
D14/401, 435, 474, 483, 217, 137, 138, 160,  
D14/168; 345/156, 169, 173-179, 905; 715/727-729,  
715/864; 455/11.1, 773, 344-347, 93, 95;  
370/342-344; 369/1, 2, 6, 12; 463/43-47;  
273/148 B

See application file for complete search history.

(56) **References Cited**

**U.S. PATENT DOCUMENTS**

D264,969 S 6/1982 McGourty

(57) **CLAIM**

We claim the ornamental design for a media device, substantially as shown and described.

**DESCRIPTION**

FIG. 1 is a perspective view of a media device in accordance with the present design.

FIG. 2 is a front view for the media device.

FIG. 3 is a rear view for the media device.

FIG. 4 is a top view for the media device.

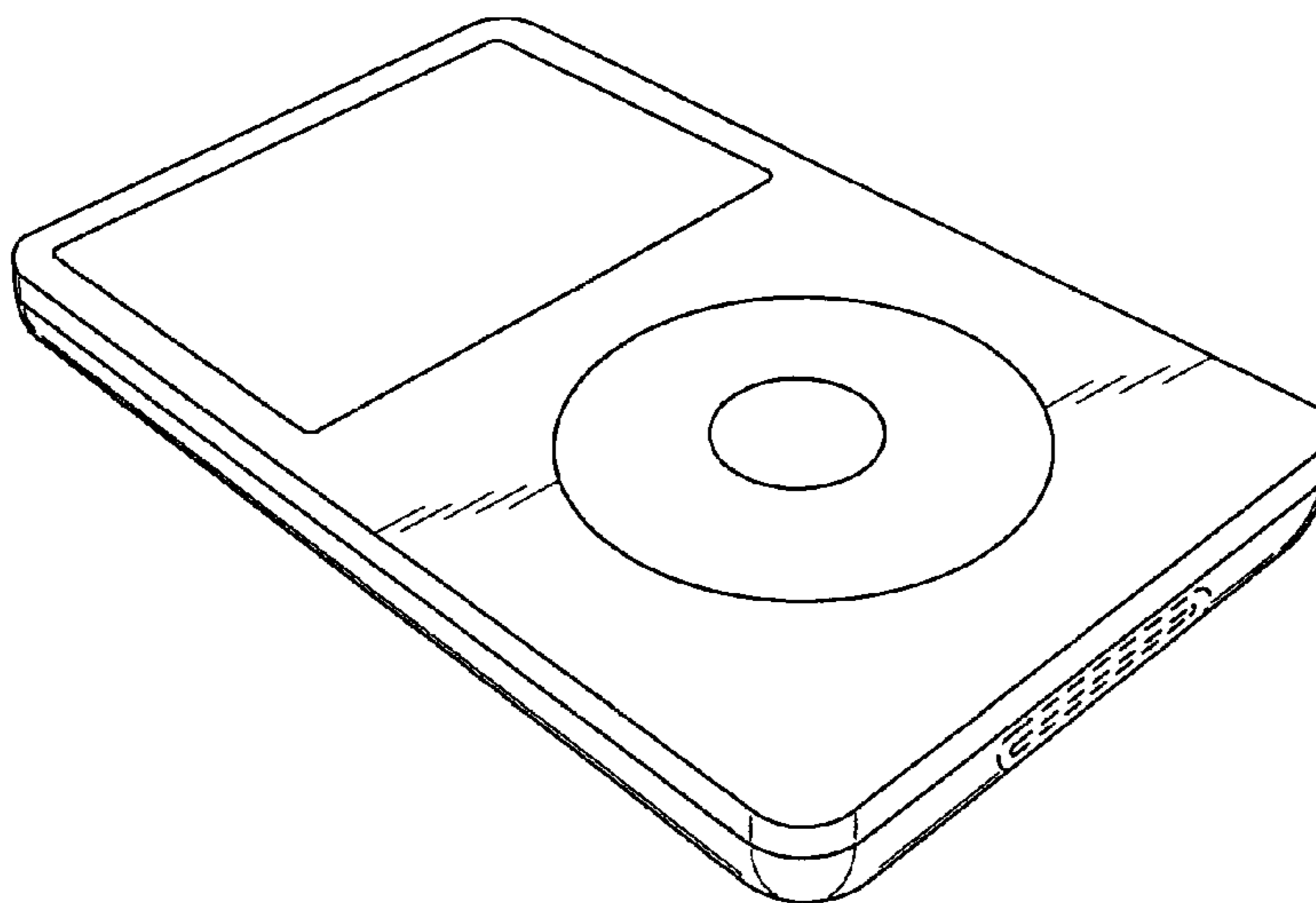
FIG. 5 is a bottom view for the media device.

FIG. 6 is a right side view for the media device; and,

FIG. 7 is a left side view for the media device.

The broken lines are for illustrative purpose only and form no part of the claimed design.

**1 Claim, 3 Drawing Sheets**



# US D548,744 S

Page 2

## U.S. PATENT DOCUMENTS

6,254,477	B1	7/2001	Sasaki et al.				
6,262,785	B1	7/2001	Kim				
D448,810	S	10/2001	Goto				
D450,713	S	11/2001	Masamitsu et al.				
6,314,483	B1	11/2001	Goto et al.				
D452,250	S *	12/2001	Chan	.....	D14/496		
D455,793	S	4/2002	Lin				
D468,365	S	1/2003	Bransky et al.				
D469,109	S	1/2003	Andre et al.				
D472,245	S	3/2003	Andre et al.				
D473,207	S	4/2003	Tanio				
6,591,085	B1 *	7/2003	Grady	.....	455/42		
D483,809	S	12/2003	Lim				
D486,813	S *	2/2004	Chun	.....	D14/156		
D489,052	S *	4/2004	Shiraki et al.	.....	D14/156		
D489,731	S	5/2004	Huang				
D490,068	S	5/2004	Chen				
D492,323	S	6/2004	Wang				
D494,188	S	8/2004	Huang				
D497,618	S	10/2004	Andre et al.				
D499,423	S	12/2004	Bahroocha et al.				
D499,424	S	12/2004	Bahroocha				
D506,476	S	6/2005	Andre et al.				
D507,277	S	7/2005	Sitoh				
D509,833	S	9/2005	Yang				
D510,937	S	10/2005	Tsai				
D511,347	S	11/2005	Naruki				
D512,403	S	12/2005	Yang				
6,977,675	B2 *	12/2005	Kotzin	.....	348/208.2		
D513,512	S *	1/2006	Tsai	.....	D14/496		
D514,120	S	1/2006	Chan				
D514,121	S	1/2006	Johnson				
D514,589	S	2/2006	Chen				
D515,099	S	2/2006	Lee				
D515,546	S	2/2006	Mu				
D516,576	S *	3/2006	Ive et al.	.....	D14/496		
D517,088	S	3/2006	Chong et al.				
D518,290	S	4/2006	Andre et al.				
D519,523	S	4/2006	Chiu et al.				
D520,020	S	5/2006	Senda et al.				
7,046,230	B2 *	5/2006	Zadesky et al.	.....	345/156		
2004/0224638	A1	11/2004	Fadell et al.				

## OTHER PUBLICATIONS

U.S. Appl. No. 29/237,229, filed Aug. 24, 2005.  
U.S. Appl. No. 29/237,226, filed Aug. 24, 2005.  
U.S. Appl. No. 29/237,235, filed Aug. 24, 2005.  
U.S. Appl. No. 29/237,231, filed Aug. 24, 2005.  
U.S. Appl. No. 29/255,274, filed Mar. 6, 2006.  
U.S. Appl. No. 29/237,224, filed Aug. 24, 2005.  
U.S. Appl. No. 29/237,228, filed Aug. 24, 2005.  
U.S. Appl. No. 29/237,225, filed Aug. 24, 2005.  
U.S. Appl. No. 29/237,230, filed Aug. 24, 2005.  
U.S. Appl. No. 29/255,294, filed Mar. 6, 2005.  
U.S. Appl. No. 29/237,232, filed Aug. 24, 2005.  
U.S. Appl. No. 29/237,090, filed Aug. 24, 2005.

\* cited by examiner

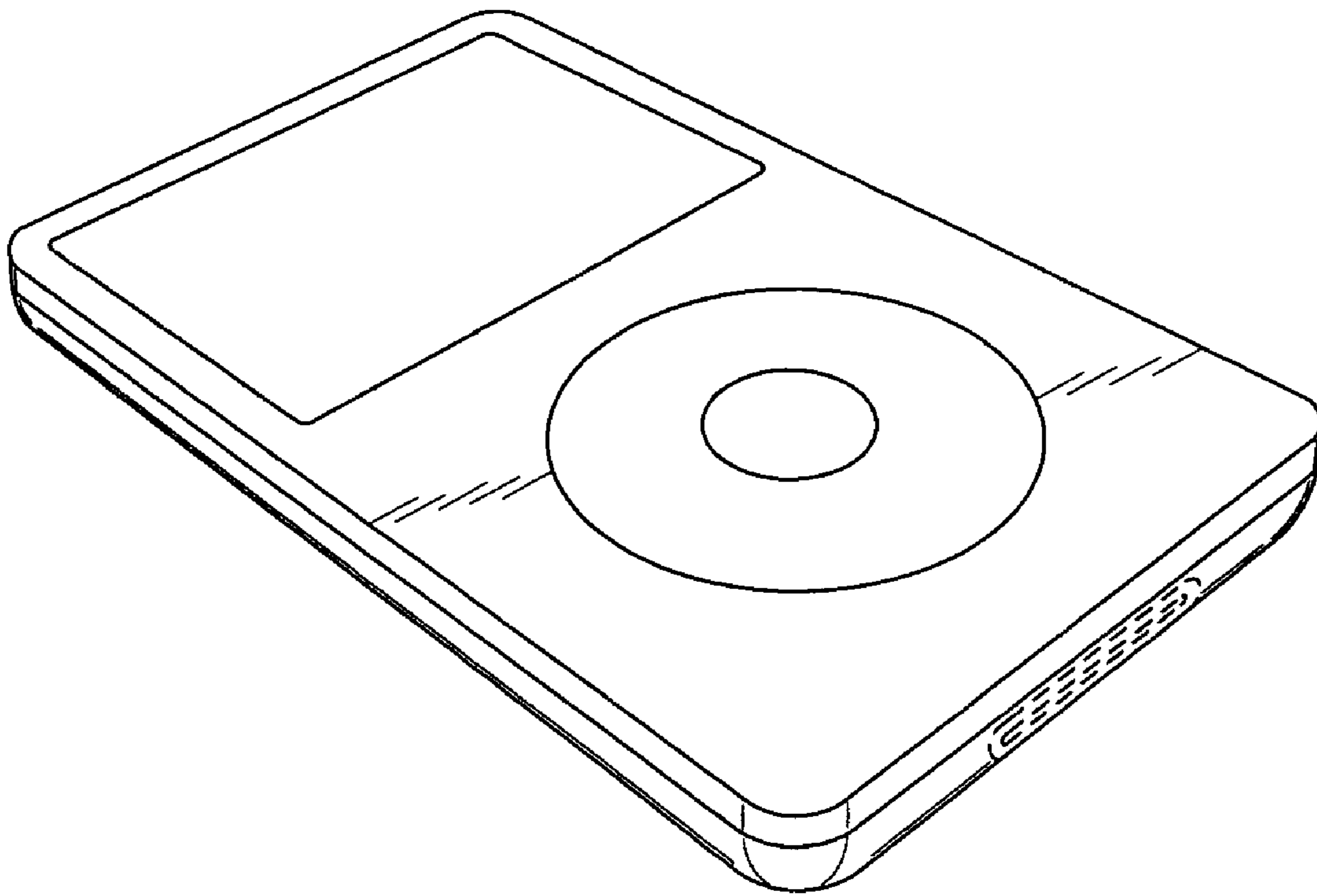


FIG. 1

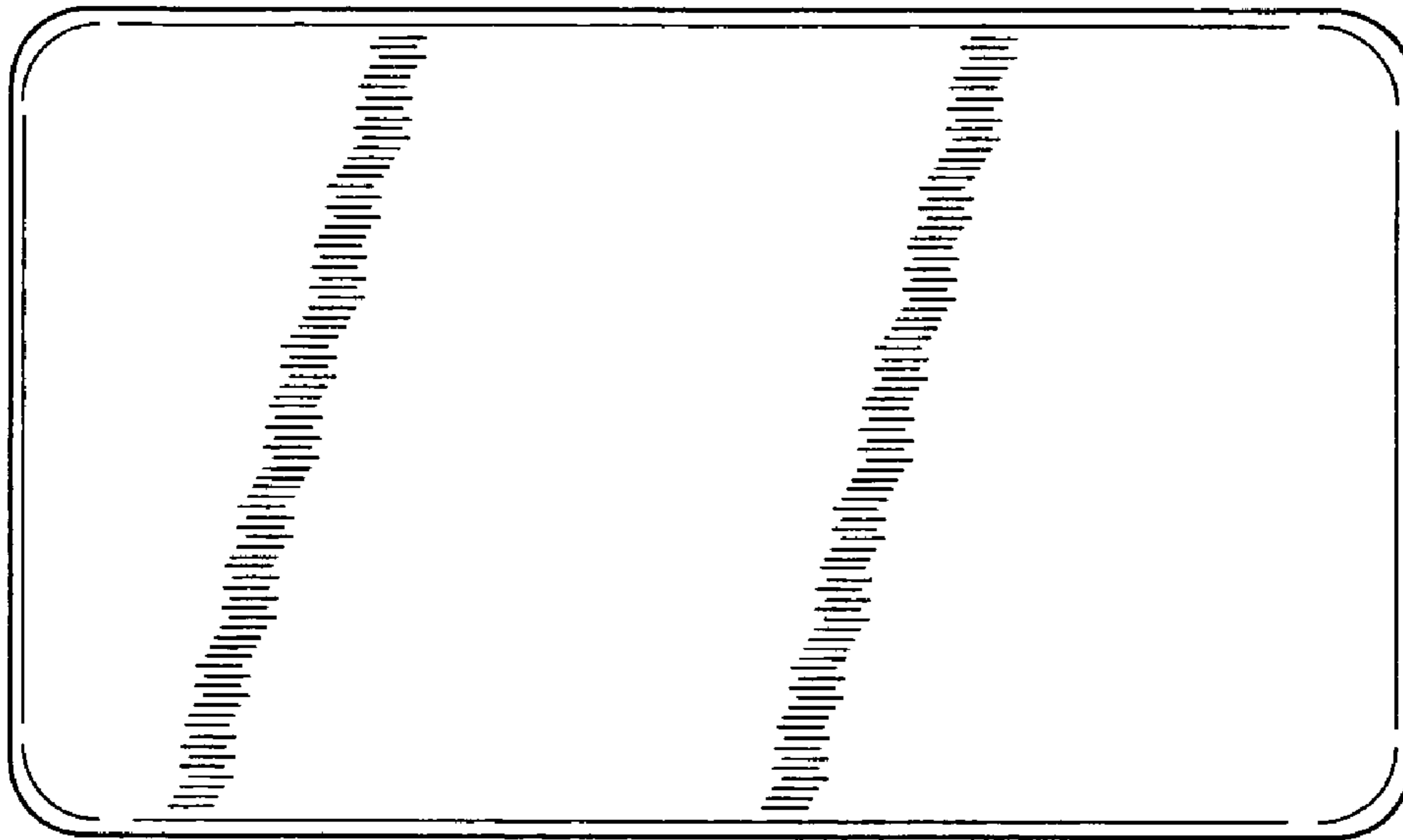


FIG. 3

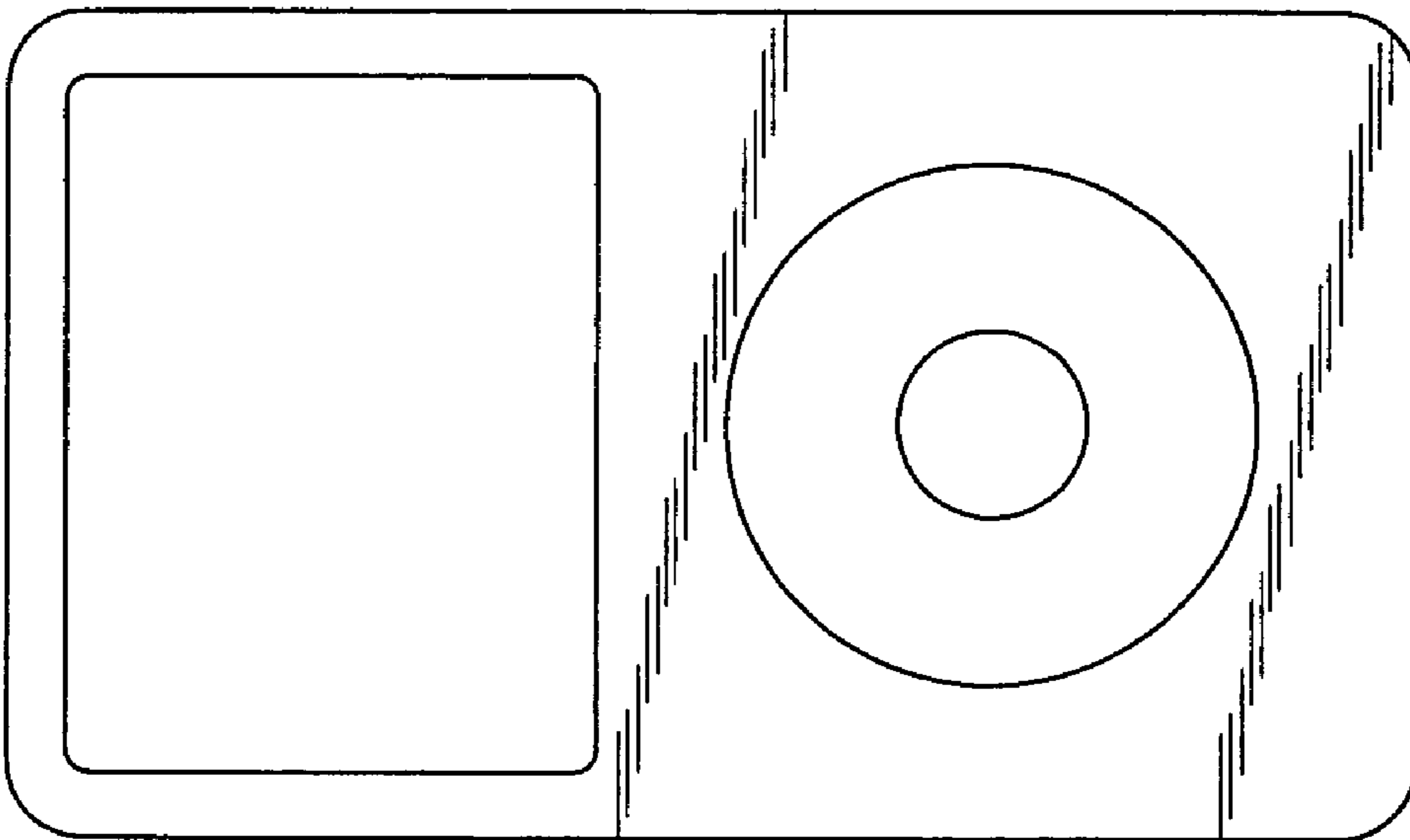


FIG. 2

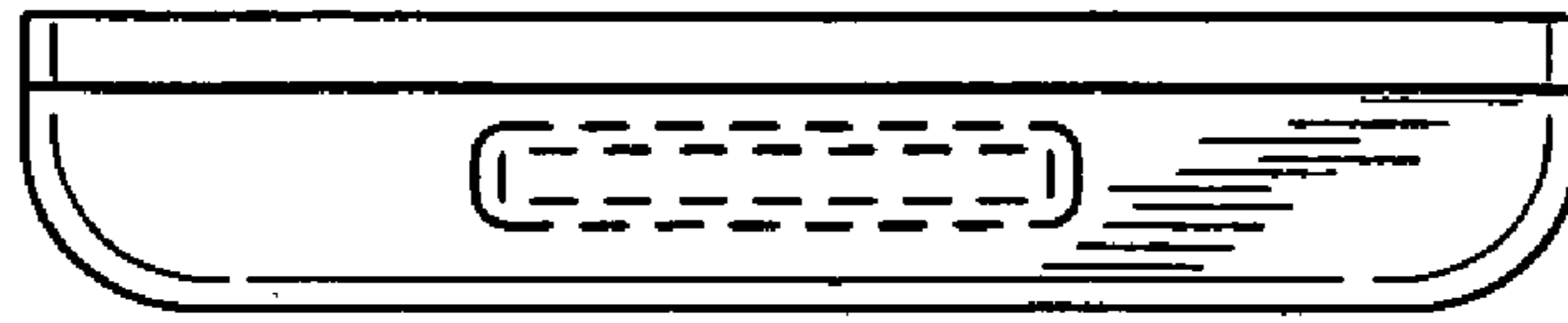


FIG. 4

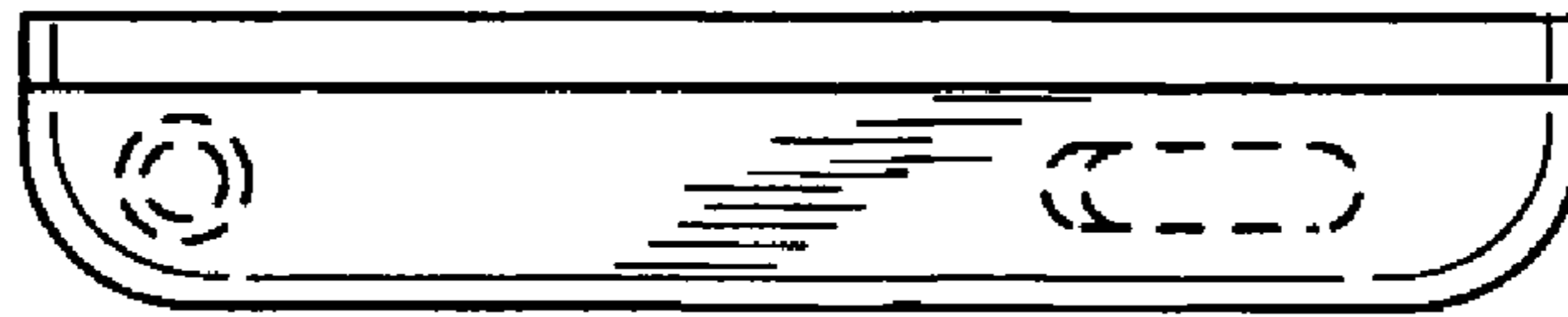


FIG. 5

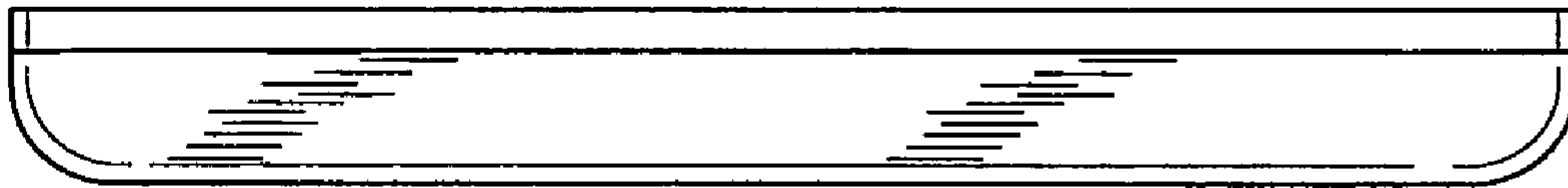


FIG. 6

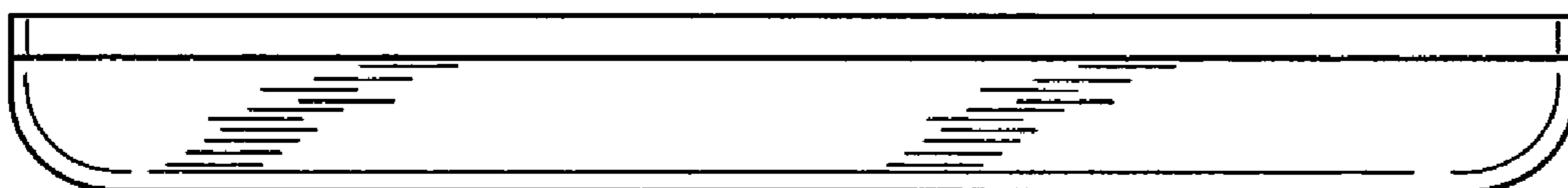


FIG. 7

UNITED STATES PATENT AND TRADEMARK OFFICE  
**CERTIFICATE OF CORRECTION**

PATENT NO. : Des. 548,744 S  
APPLICATION NO. : 29/237096  
DATED : August 14, 2007  
INVENTOR(S) : Andre et al.

Page 1 of 1

It is certified that error appears in the above-identified patent and that said Letters Patent is hereby corrected as shown below:

Title page, Item (73) Assignee, "Apple, Inc." should be replaced with --Apple Inc.--

Signed and Sealed this

Thirteenth Day of May, 2008

A handwritten signature in black ink that reads "Jon W. Dudas". The signature is written in a cursive style with a large, looped initial "J".

JON W. DUDAS

*Director of the United States Patent and Trademark Office*