

US00D548738S

(12) **United States Design Patent** (10) **Patent No.:** **US D548,738 S**  
**Doyle et al.** (45) **Date of Patent:** **\*\* Aug. 14, 2007**

(54) **EMI SHIELD ASSEMBLY**

5,436,802 A 7/1995 Trahan et al.  
5,469,982 A \* 11/1995 Gordecki et al. .... 220/4.02

(75) Inventors: **Peter John Doyle**, Los Altos, CA (US);  
**Gerald Robert English**, Glen Ellyn, IL (US);  
**Allan Richard Zuehlsdorf**, Sycamore, IL (US);  
**Aleksey Pirkhalo**, Buffalo Grove, IL (US)

(Continued)

**FOREIGN PATENT DOCUMENTS**

WO WO 98/54942 12/1998

(73) Assignee: **Laird Technologies, Inc.**, St. Louis, MO (US)

**OTHER PUBLICATIONS**

U.S. Appl. No. 29/224,131, filed Feb. 25, 2005, Latawiec et al.

(\*\*) Term: **14 Years**

(Continued)

(21) Appl. No.: **29/244,955**

*Primary Examiner*—M. H. Tung

*Assistant Examiner*—Susan Moon Lee

(22) Filed: **Dec. 16, 2005**

(74) *Attorney, Agent, or Firm*—Harness, Dickey & Pierce, P.L.C.

(51) **LOC (8) Cl.** ..... **14-02**

(52) **U.S. Cl.** ..... **D14/432**

(58) **Field of Classification Search** ..... D14/438-39,  
D14/432, 435-36; 439/939, 607, 159, 160,  
439/946, 630, 152; 174/35 R, 51, 35 C,  
174/35 GC, 378, 384, 387, 363, 372, 382,  
174/390, 366, 377, 354, 371, DIG. 34, DIG. 35;  
361/816, 800, 752, 797, 818, 801, 736, 810,  
361/756, 796; 29/832, 840-1; D13/173,  
D13/199; 220/4.02

See application file for complete search history.

(57) **CLAIM**

We claim the ornamental design for an EMI shield assembly, as shown and described.

**DESCRIPTION**

FIG. 1 is a reduced outer perspective view of the EMI shield assembly showing our new design;

FIG. 2 is a reduced inner perspective view of the EMI shield assembly shown in FIG. 1;

FIG. 3 is a top plan view of the EMI shield assembly shown in FIG. 1;

FIG. 4 is a bottom plan view of the EMI shield assembly shown in FIG. 1;

FIG. 5 is a front elevation view of the EMI shield assembly shown in FIG. 1;

FIG. 6 is a rear elevation view of the EMI shield assembly shown in FIG. 1;

FIG. 7 is a left side elevation view of the EMI shield assembly shown in FIG. 1; and,

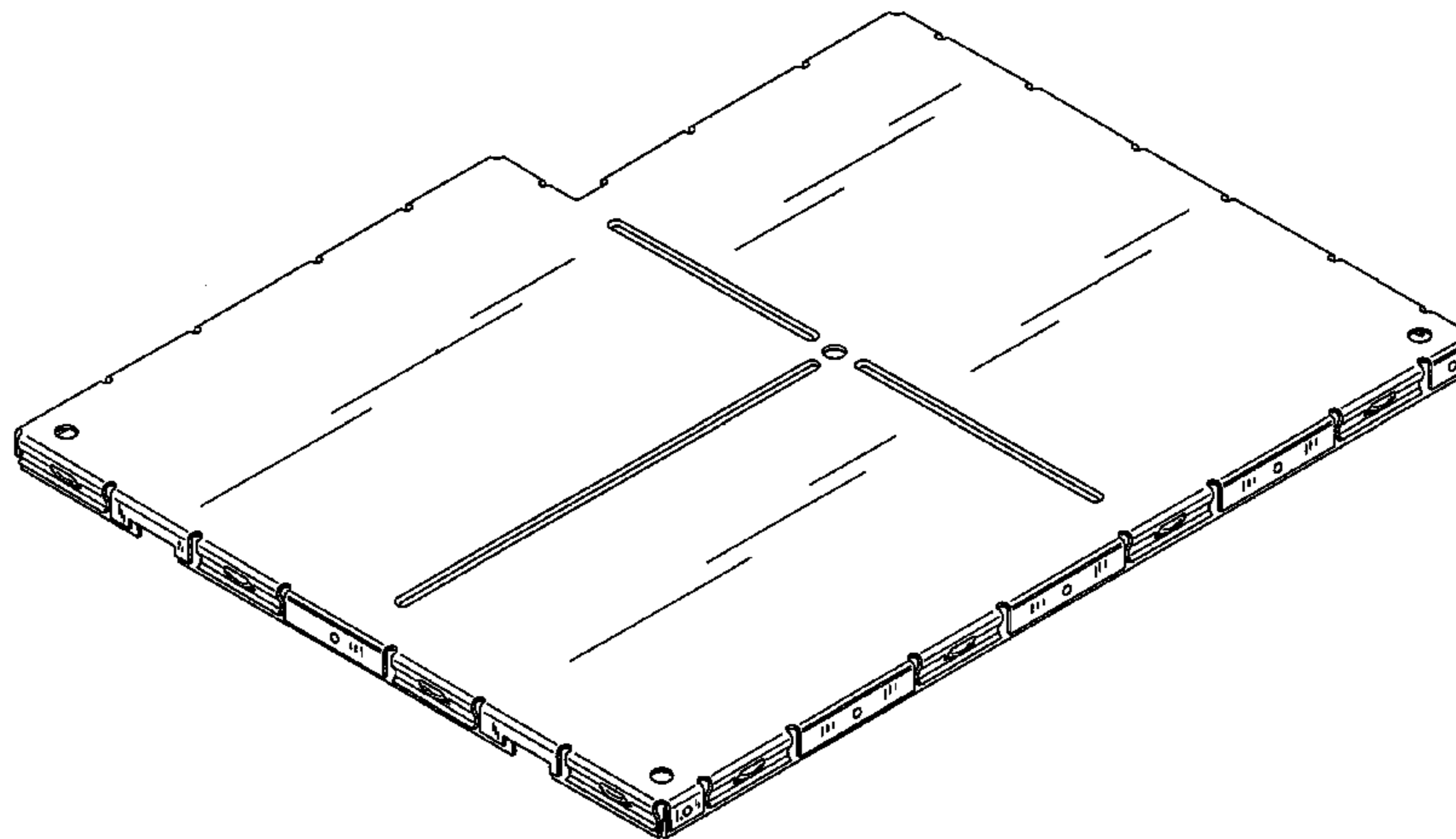
FIG. 8 is a right side elevation view of the EMI shield assembly shown in FIG. 1.

(56) **References Cited**

**U.S. PATENT DOCUMENTS**

1,257,502 A 2/1918 Leighton  
2,016,225 A 10/1935 Bukolt  
4,705,916 A 11/1987 Wadhwa et al.  
4,754,101 A 6/1988 Stickney et al.  
5,008,779 A \* 4/1991 Salmon ..... 361/797  
5,095,177 A 3/1992 Johnson  
5,153,379 A 10/1992 Guzik et al.  
D331,396 S 12/1992 Benck et al.  
5,175,395 A 12/1992 Moore  
5,252,782 A \* 10/1993 Cantrell et al. .... 174/387  
5,354,951 A 10/1994 Lange, Sr. et al.  
5,365,410 A 11/1994 Lonka  
5,383,098 A 1/1995 Ma et al.  
5,422,433 A 6/1995 Rivera et al.

**1 Claim, 5 Drawing Sheets**



# US D548,738 S

Page 2

## U.S. PATENT DOCUMENTS

|           |      |         |                       |         |              |      |         |                       |          |
|-----------|------|---------|-----------------------|---------|--------------|------|---------|-----------------------|----------|
| 5,495,399 | A    | 2/1996  | Gore et al.           |         | 6,628,524    | B1   | 9/2003  | Washino et al.        |          |
| 5,513,996 | A    | 5/1996  | Annerino et al.       |         | 6,629,860    | B1 * | 10/2003 | Hu et al. ....        | 439/607  |
| 5,530,202 | A    | 6/1996  | Dais et al.           |         | 6,636,428    | B2 * | 10/2003 | Follmer et al. ....   | 361/797  |
| 5,566,055 | A    | 10/1996 | Salvi, Jr.            |         | D484,508     | S    | 12/2003 | Crippen et al.        |          |
| 5,614,694 | A    | 3/1997  | Gorenz, Jr. et al.    |         | 6,671,183    | B2 * | 12/2003 | Tsuzuki .....         | 361/797  |
| 5,774,344 | A *  | 6/1998  | Casebolt .....        | 361/800 | 6,674,653    | B1 * | 1/2004  | Valentine .....       | 361/818  |
| D397,097  | S    | 8/1998  | McNally               |         | 6,711,032    | B2   | 3/2004  | Sommer                |          |
| 5,844,784 | A    | 12/1998 | Moran et al.          |         | 6,717,799    | B2   | 4/2004  | Hamano et al.         |          |
| 5,886,879 | A    | 3/1999  | Matuschik             |         | 6,731,518    | B2 * | 5/2004  | Suzuki et al. ....    | 361/818  |
| 5,895,884 | A    | 4/1999  | Davidson              |         | 6,738,265    | B1   | 5/2004  | Svarfvar et al.       |          |
| 5,917,710 | A    | 6/1999  | Maatta                |         | 6,743,975    | B2   | 6/2004  | Kolb                  |          |
| 5,991,165 | A    | 11/1999 | Jones, Jr. et al.     |         | 6,744,640    | B2   | 6/2004  | Reis et al.           |          |
| 6,005,186 | A    | 12/1999 | Bachman               |         | 6,763,576    | B2   | 7/2004  | Watchko et al.        |          |
| 6,043,983 | A    | 3/2000  | Taylor et al.         |         | 6,781,847    | B2   | 8/2004  | Jakob et al.          |          |
| 6,049,469 | A    | 4/2000  | Hood, III et al.      |         | 6,781,851    | B2   | 8/2004  | Daoud et al.          |          |
| 6,051,781 | A    | 4/2000  | Bianca et al.         |         | 6,784,363    | B2   | 8/2004  | Jones                 |          |
| 6,110,563 | A    | 8/2000  | Pienimaa et al.       |         | 6,787,696    | B2   | 9/2004  | Liljevik et al.       |          |
| 6,121,545 | A    | 9/2000  | Peng et al.           |         | 6,870,091    | B2   | 3/2005  | Seidler               |          |
| 6,136,131 | A    | 10/2000 | Sosnowski             |         | 6,949,706    | B2 * | 9/2005  | West .....            | 174/384  |
| 6,137,692 | A *  | 10/2000 | Venant .....          | 361/800 | 7,004,771    | B1 * | 2/2006  | Lee .....             | 439/159  |
| 6,150,606 | A *  | 11/2000 | Matsumoto et al. .... | 174/384 | 7,013,558    | B2   | 3/2006  | Bachman               |          |
| 6,152,779 | A *  | 11/2000 | Madsen et al. ....    | 439/676 | 7,147,495    | B2 * | 12/2006 | Kuo .....             | 439/159  |
| D434,771  | S    | 12/2000 | Ohtani                |         | 2002/0185294 | A1   | 12/2002 | Shlyakhtichman et al. |          |
| 6,169,665 | B1 * | 1/2001  | Lepping et al. ....   | 361/800 | 2003/0011978 | A1 * | 1/2003  | Moore .....           | 361/685  |
| 6,175,077 | B1   | 1/2001  | Mendolia et al.       |         | 2003/0016519 | A1 * | 1/2003  | Bachman .....         | 361/818  |
| 6,178,097 | B1   | 1/2001  | Hauk, Jr.             |         | 2003/0062179 | A1 * | 4/2003  | West .....            | 174/35 R |
| 6,191,950 | B1 * | 2/2001  | Cox et al. ....       | 361/737 | 2003/0067757 | A1   | 4/2003  | Richardson et al.     |          |
| 6,265,658 | B1   | 7/2001  | Silvers               |         | 2003/0128535 | A1 * | 7/2003  | Otani et al. ....     | 361/816  |
| 6,274,808 | B1   | 8/2001  | Cercioglu et al.      |         | 2004/0012939 | A1   | 1/2004  | Ta et al.             |          |
| 6,288,330 | B1 * | 9/2001  | Chen .....            | 174/382 | 2004/0025334 | A1 * | 2/2004  | Wen et al. ....       | 29/832   |
| 6,313,400 | B1   | 11/2001 | Mosquera et al.       |         | 2005/0121212 | A1   | 6/2005  | English et al.        |          |
| 6,320,121 | B1 * | 11/2001 | Honeycutt et al. .... | 174/384 | 2006/0012969 | A1   | 1/2006  | Bachman               |          |
| 6,377,472 | B1   | 4/2002  | Fan                   |         |              |      |         |                       |          |
| 6,384,324 | B2   | 5/2002  | Flegeo                |         |              |      |         |                       |          |
| 6,483,719 | B1   | 11/2002 | Bachman               |         |              |      |         |                       |          |
| 6,501,016 | B1   | 12/2002 | Sosnowski             |         |              |      |         |                       |          |
| 6,552,261 | B2   | 4/2003  | Shlahtichman et al.   |         |              |      |         |                       |          |

## OTHER PUBLICATIONS

Pending U.S. Appl. No. 11/245,306, filed Oct. 6, 2005, Zuehlsdorf et al.

\* cited by examiner

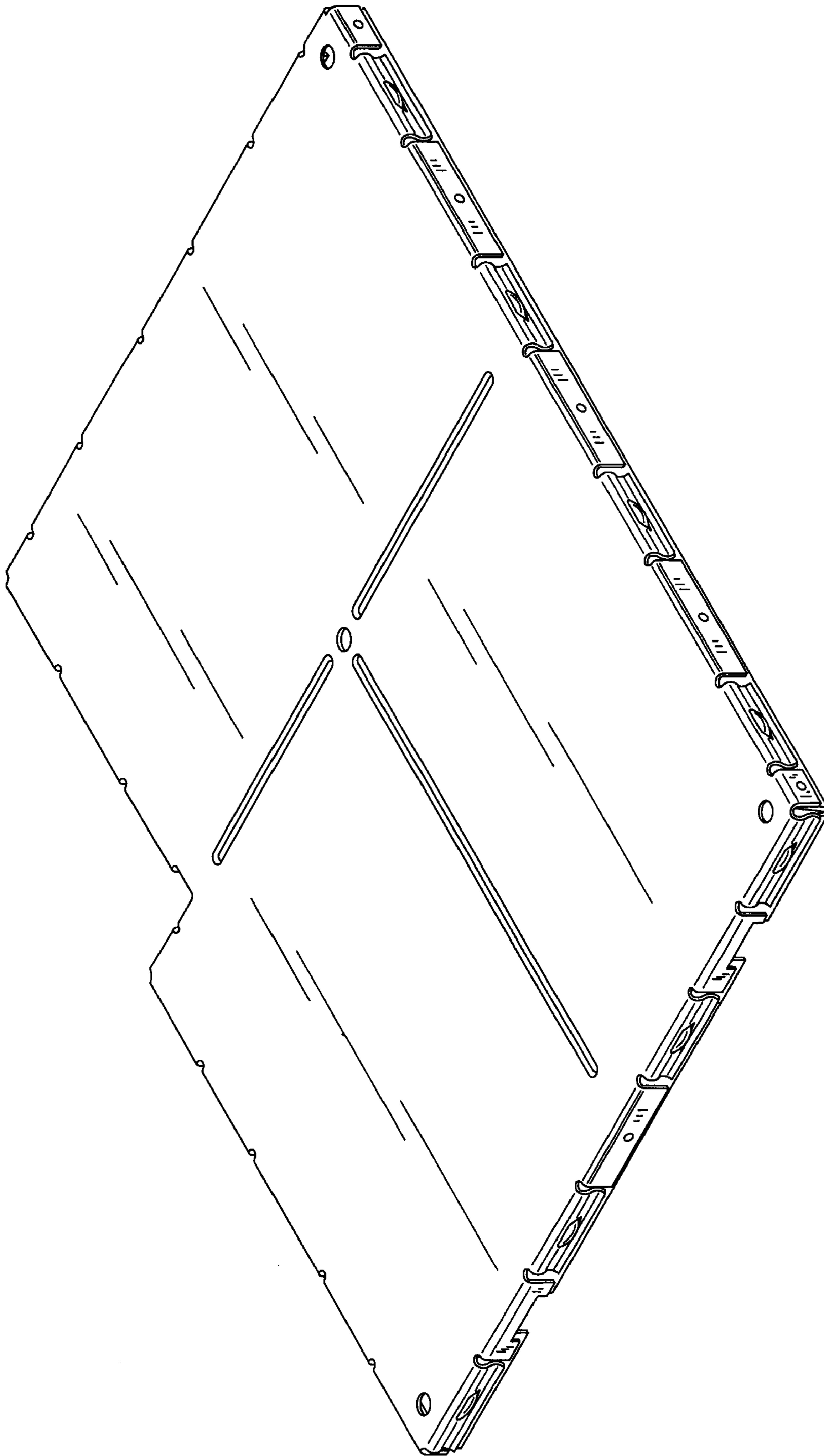


FIG. 1

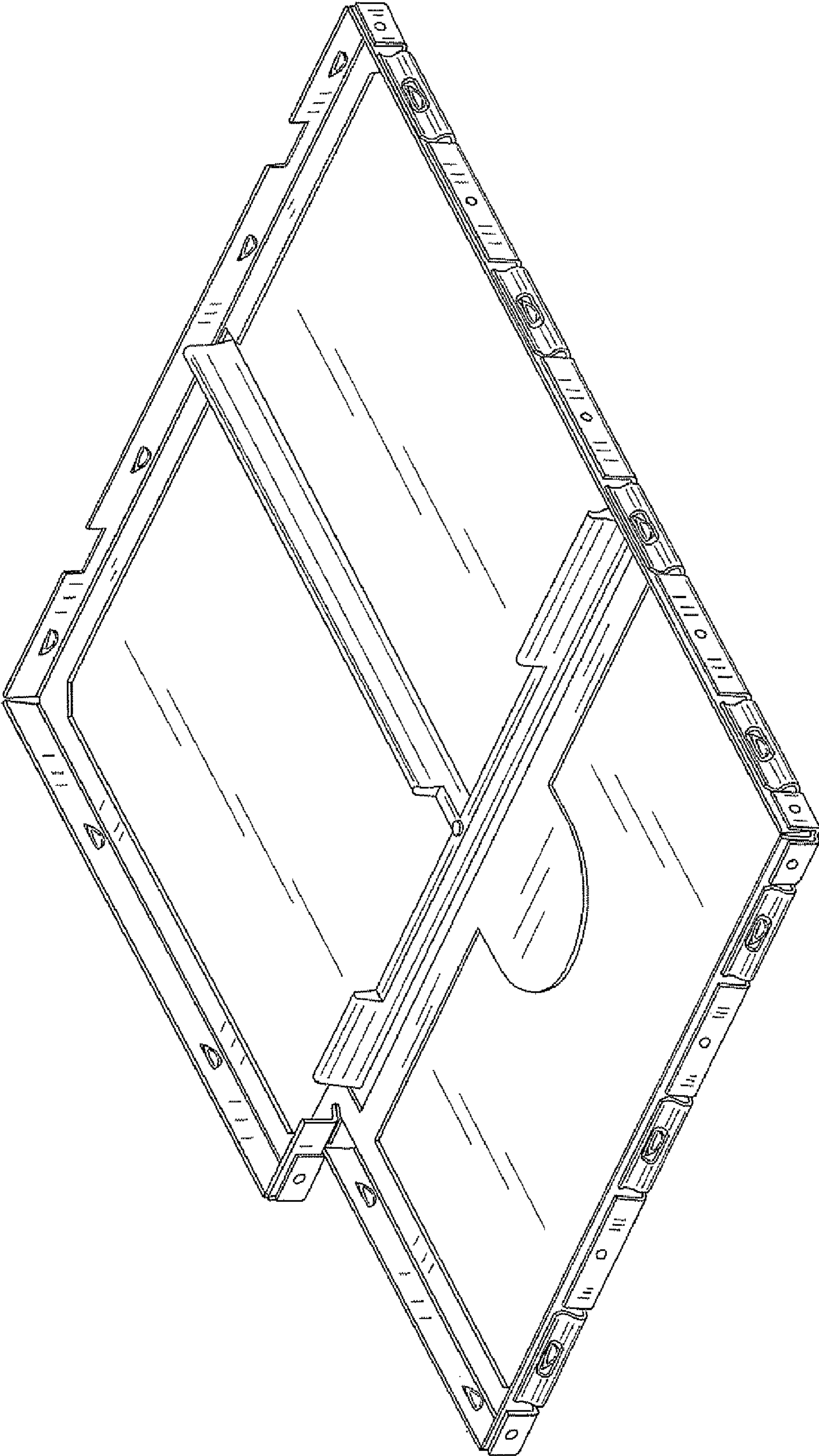


FIG. 2

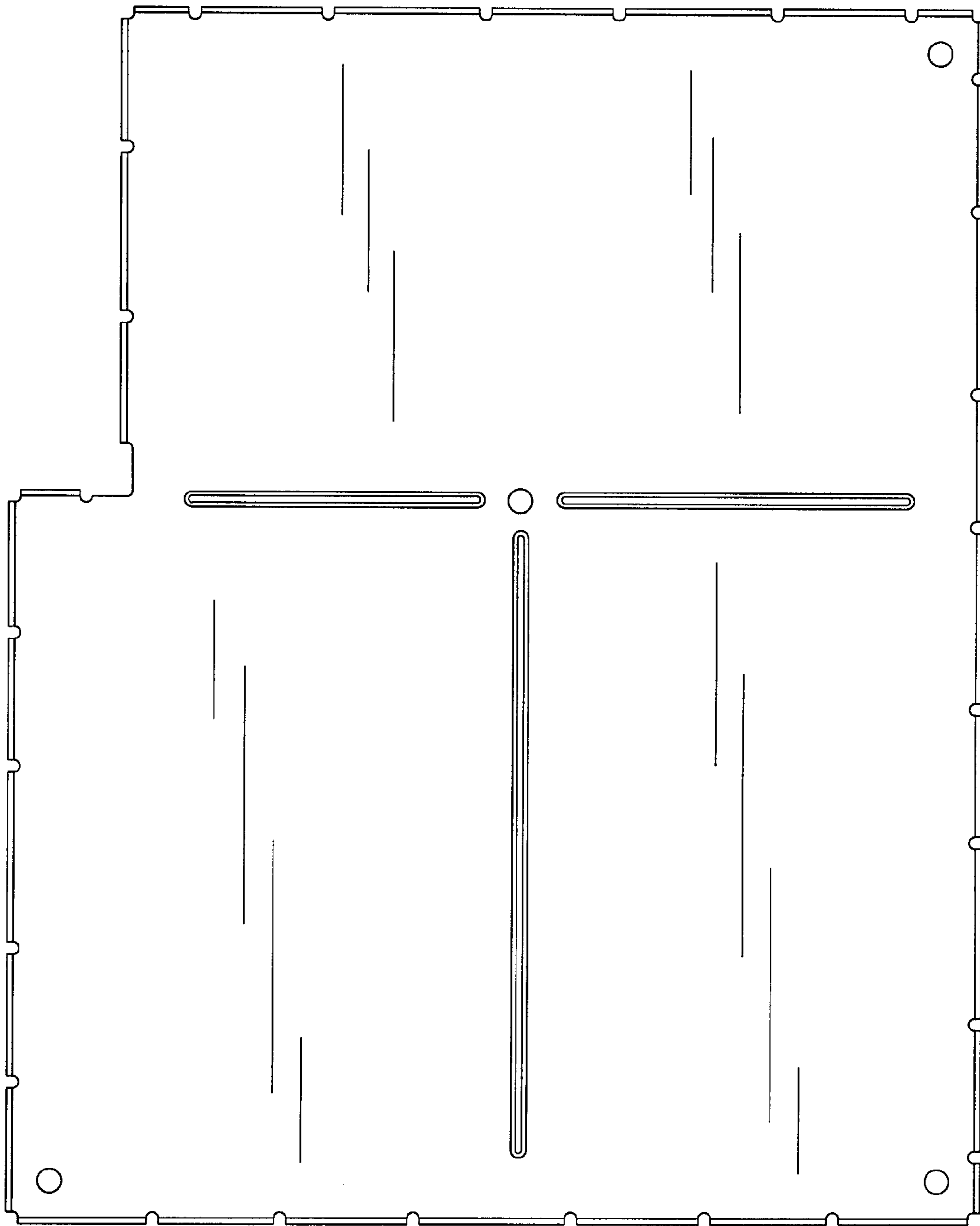


FIG. 3

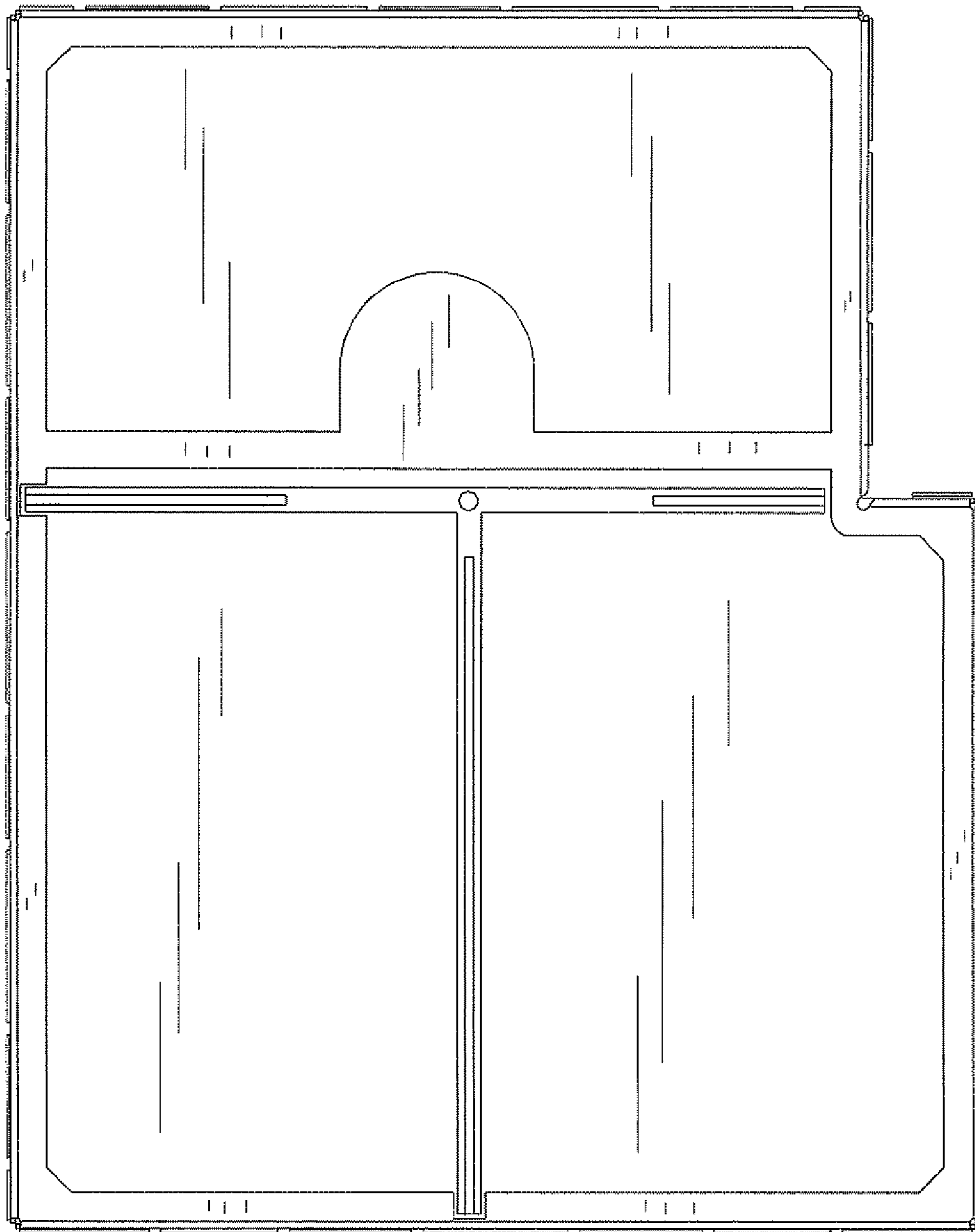


FIG. 4

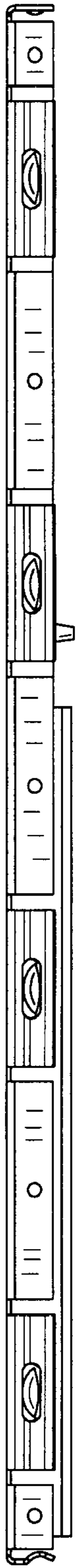


FIG. 5

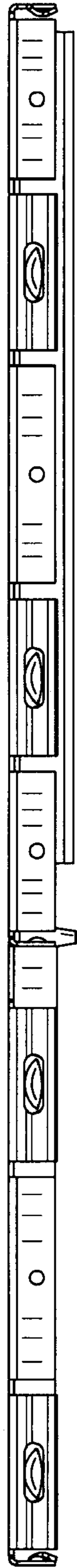


FIG. 6



FIG. 7

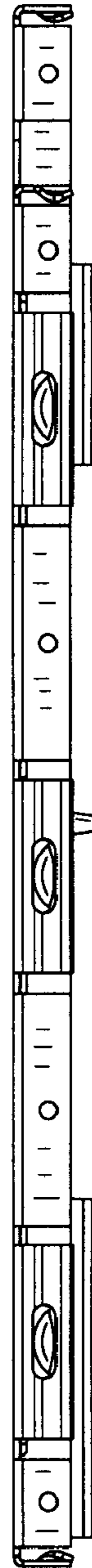


FIG. 8