

US00D548737S

(12) **United States Design Patent**
Dearborn et al.

(10) **Patent No.: US D548,737 S**

(45) **Date of Patent: ** Aug. 14, 2007**

(54) **INFORMATION HANDLING SYSTEM
HOUSING**

(75) Inventors: **Timothy C. Dearborn**, Lakeway, TX
(US); **Kenneth Musgrave**, Austin, TX
(US)

(73) Assignee: **Dell Products L.P.**, Round Rock, TX
(US)

(**) Term: **14 Years**

(21) Appl. No.: **29/259,159**

(22) Filed: **May 3, 2006**

(51) **LOC (8) Cl.** **14-02**

(52) **U.S. Cl.** **D14/349**

(58) **Field of Classification Search** D14/349–356,
D14/300, 301, 308; D13/162, 184, 199;
312/223.1, 223.2; 360/99.01–99.12; 369/34.01,
369/36.01; 361/680–686, 690–696
See application file for complete search history.

(56) **References Cited**

U.S. PATENT DOCUMENTS

D315,551 S *	3/1991	Aderman	D14/349
D344,266 S *	2/1994	Wingate	D14/349
D347,827 S *	6/1994	Noble	D14/349
D380,743 S *	7/1997	Avalos et al.	D14/350
D382,859 S *	8/1997	Alfonso et al.	D14/349
D401,915 S *	12/1998	Johnson	D14/349
5,884,988 A *	3/1999	Foo et al.	312/223.2

D466,505 S *	12/2002	Chien et al.	D14/349
D468,737 S *	1/2003	Chien et al.	D14/349
6,549,398 B2 *	4/2003	Chen	361/683
D478,586 S	8/2003	Lee et al.	D14/349
D494,169 S	8/2004	Lin	D14/349
D497,162 S	10/2004	Neal et al.	D14/349
D504,895 S	5/2005	Frank et al.	D14/441
D510,934 S *	10/2005	Lin	D14/349

* cited by examiner

Primary Examiner—Freda S. Nunn

(74) *Attorney, Agent, or Firm*—Hamilton & Terrile, LLP;
Stephen A. Terrile

(57) **CLAIM**

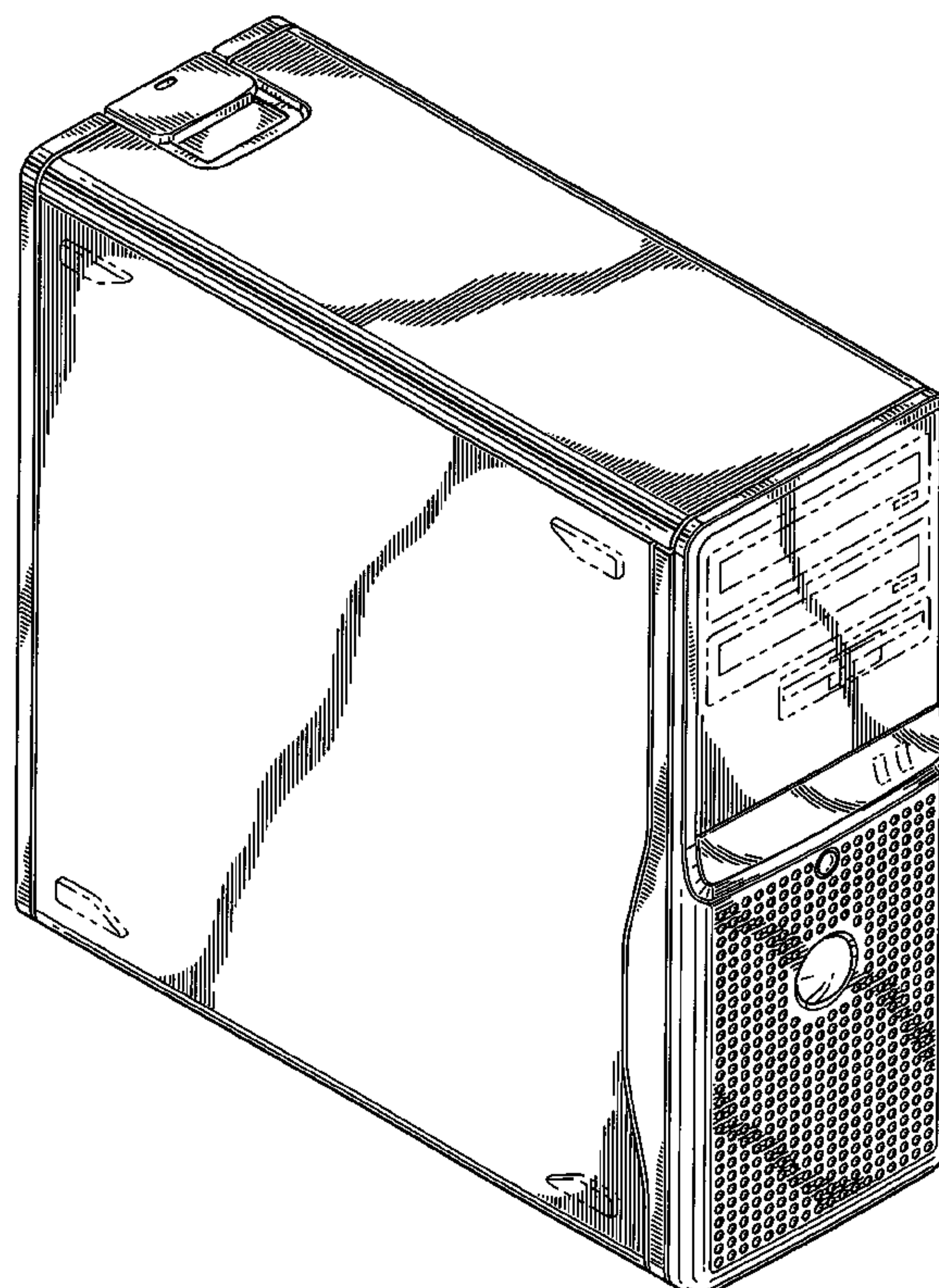
The ornamental design for an information handling system housing, as shown and described.

DESCRIPTION

FIG. 1 is a right frontal perspective view of the information handling system housing comprising the present invention; FIG. 2 is a front elevation view thereof; FIG. 3 is a left side elevation view thereof; FIG. 4 is a right side elevation view thereof; FIG. 5 is a back view thereof; and, FIG. 6 is a top plan view thereof.

The broken lines are shown for illustrative purposes only and form no part of the claimed design.

1 Claim, 5 Drawing Sheets



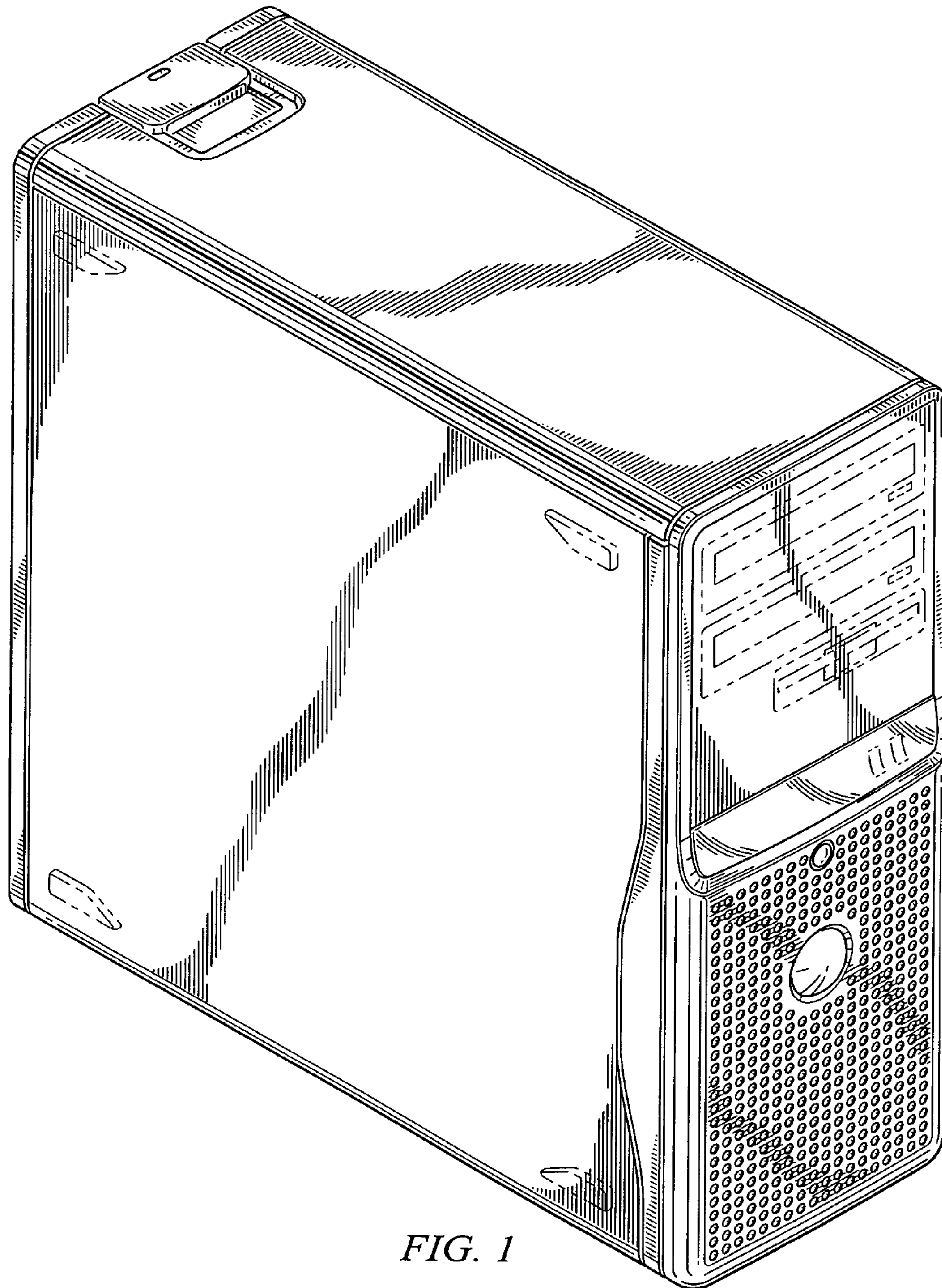


FIG. 1

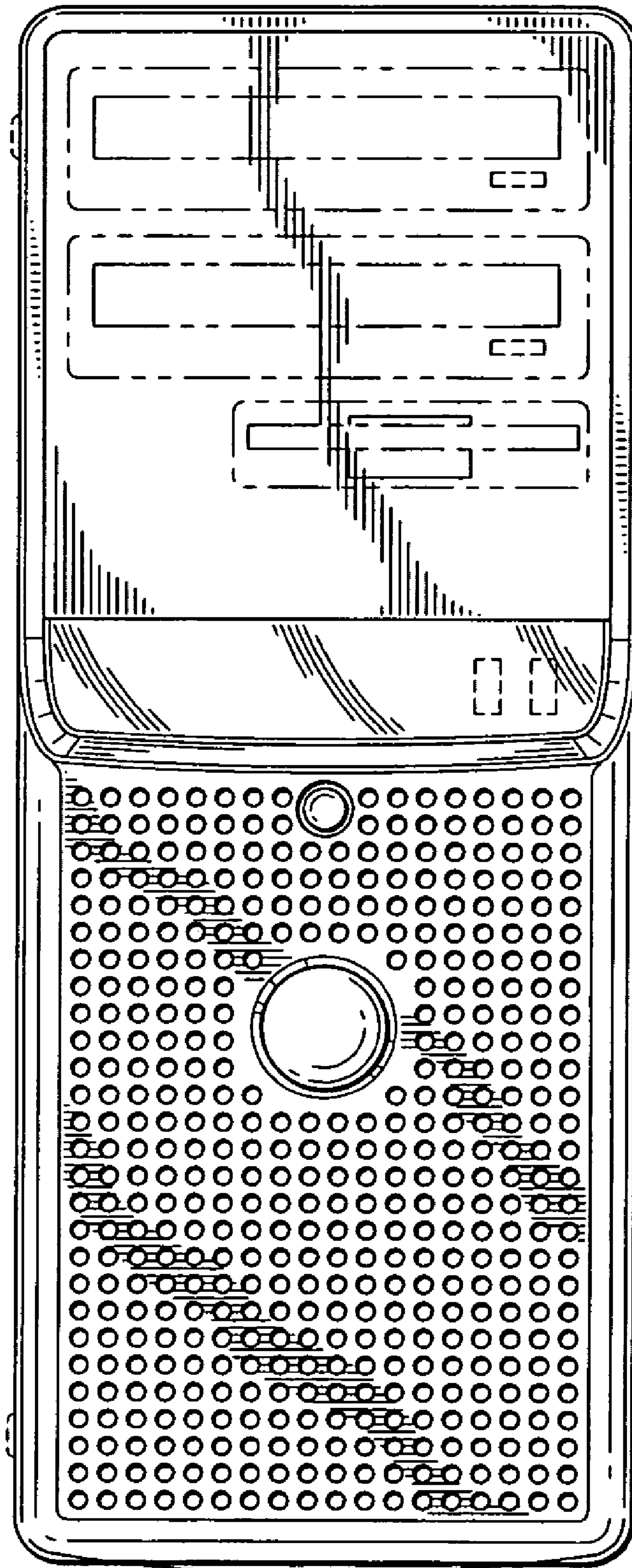


FIG. 2

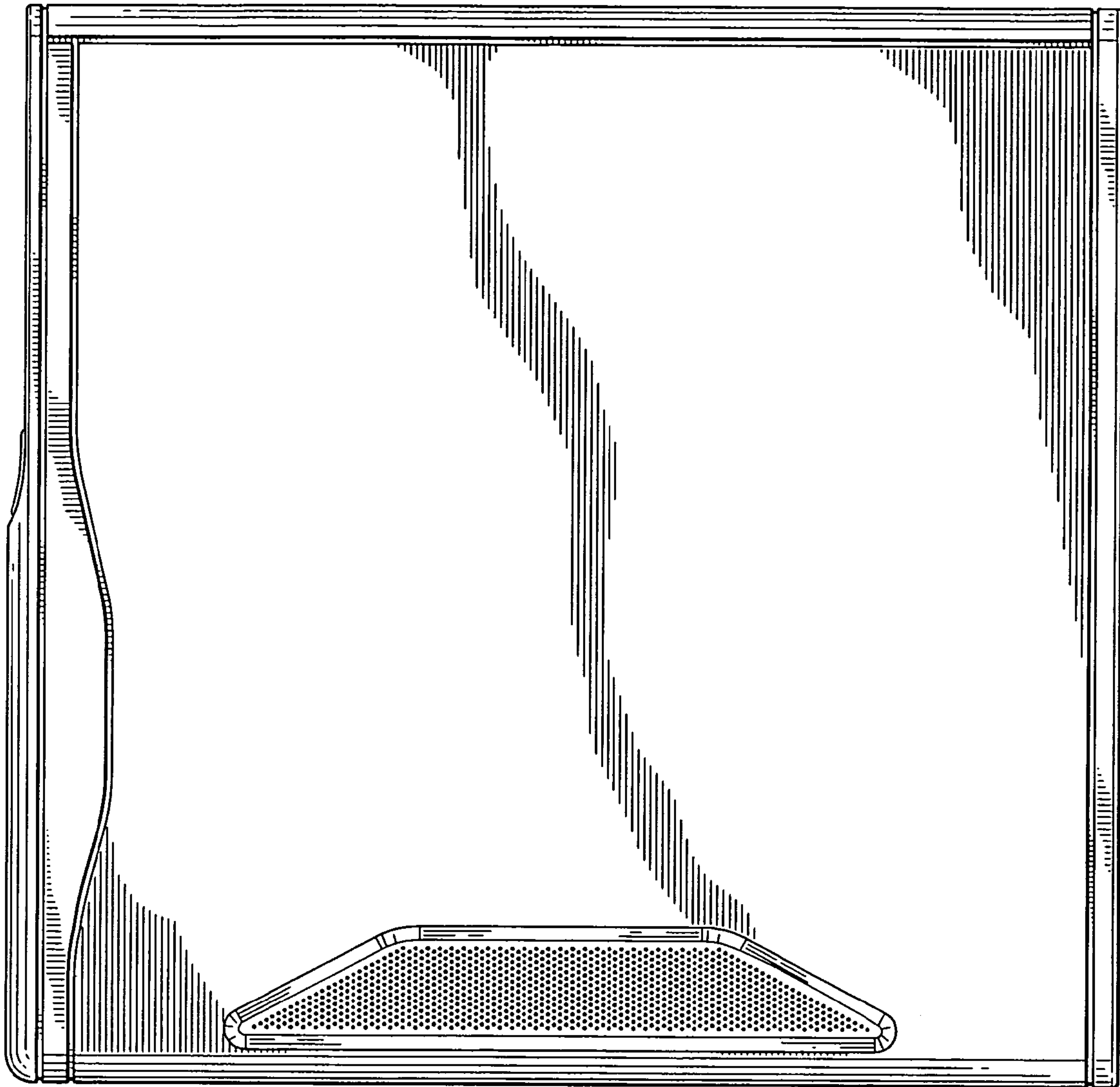


FIG. 3

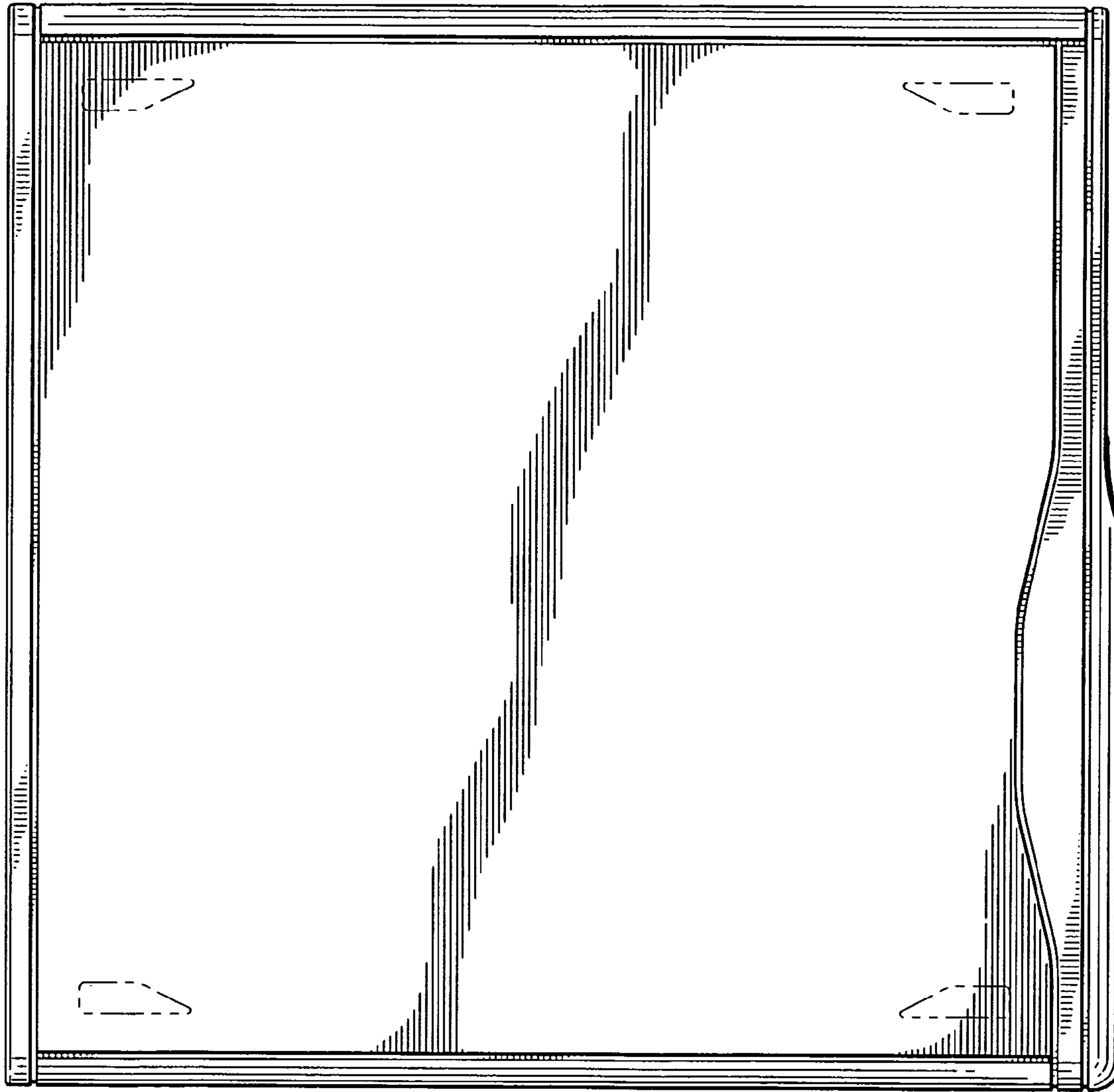


FIG. 4

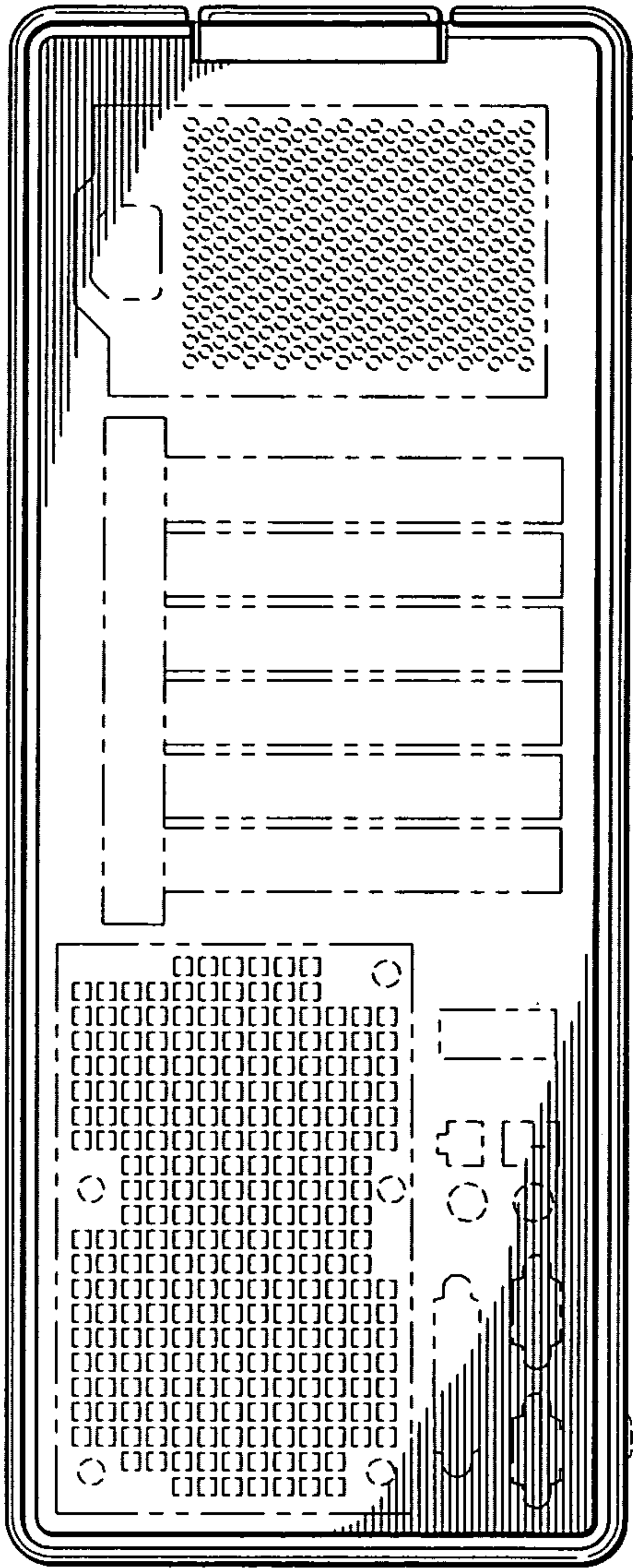


FIG. 5

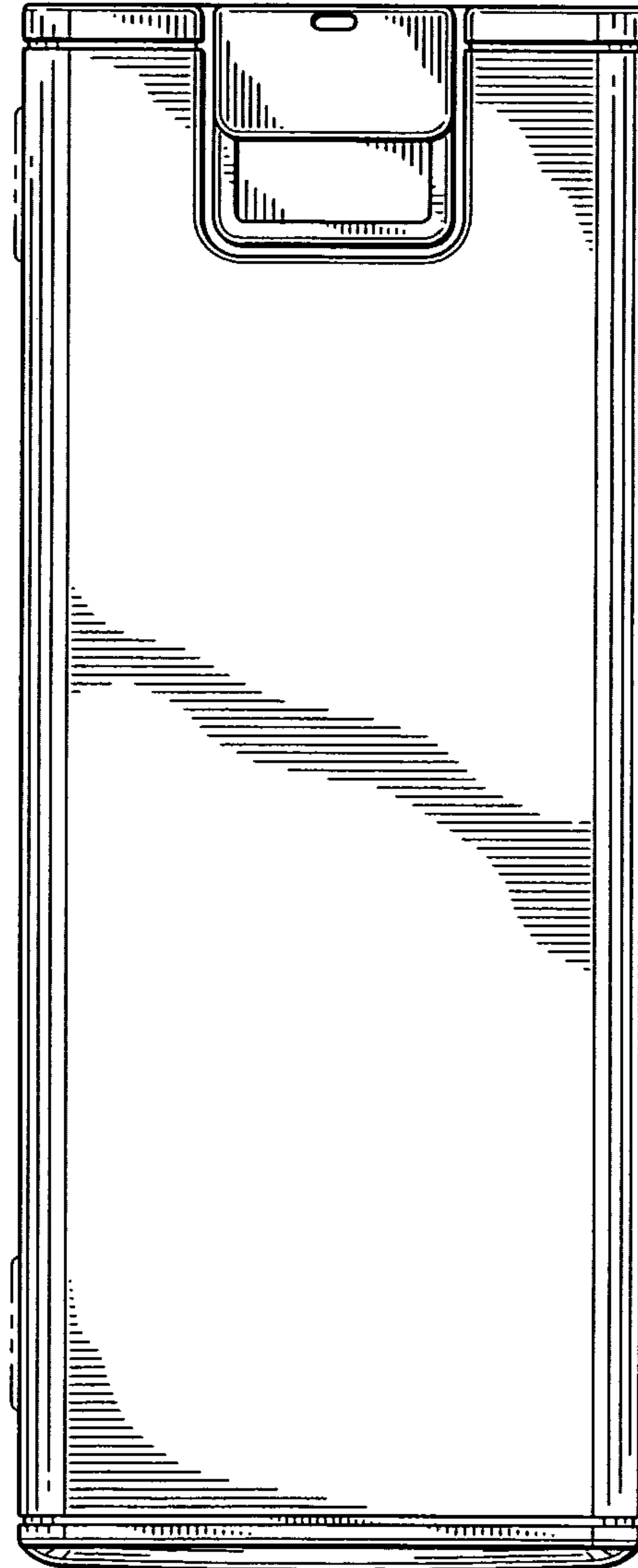


FIG. 6