

US00D548736S

(12) **United States Design Patent** (10) **Patent No.:** **US D548,736 S**
Arseneau et al. (45) **Date of Patent:** **** Aug. 14, 2007**

(54) **PORTABLE RECEIVER FOR A LIVE EVENT**

(75) Inventors: **Marc Arseneau**, Morin-Heights (CA);
Jean Arseneau, Boisbriand (CA); **Luc Blanchet**, Montreal (CA)

(73) Assignee: **Kangaroo Media Inc.**, Mirabel,
Quebec (CA)

(**) Term: **14 Years**

(21) Appl. No.: **29/240,481**

(22) Filed: **Oct. 12, 2005**

(30) **Foreign Application Priority Data**

Apr. 12, 2005 (CA) 110687

(51) **LOC (8) Cl.** **14-02**

(52) **U.S. Cl.** **D14/346; D14/341**

(58) **Field of Classification Search** D14/339-347,
D14/383-388, 374; D18/4.4, 4.6, 6, 7, 11;
235/380, 382, 382.5; 250/556; 345/169;
361/680-686, 747; 455/575.1; D21/329;
D24/186

See application file for complete search history.

(56) **References Cited**

U.S. PATENT DOCUMENTS

D261,669 S *	11/1981	Tran et al.	D21/329
D274,648 S *	7/1984	Swanson	D24/186
D279,565 S *	7/1985	Forbis et al.	D14/346
D345,548 S *	3/1994	Giebler et al.	D14/339
D355,644 S *	2/1995	Risko	D14/346
D381,325 S *	7/1997	McMahan et al.	D14/388
D445,785 S *	7/2001	Van Scoyoc et al.	D14/340
D451,603 S *	12/2001	Bastyr et al.	D24/186
D453,158 S *	1/2002	Chen	D14/374

* cited by examiner

Primary Examiner—Freda S. Nunn

(74) *Attorney, Agent, or Firm*—Morrison & Foerster LLP

(57) **CLAIM**

We claim the ornamental design for a portable receiver for a live event, as shown and described.

DESCRIPTION

FIG. 1 is a perspective view of a portable receiver for a live event according to a first variant of the present design;

FIG. 2 is a left side elevational view of the portable receiver of FIG. 1;

FIG. 3 is a top plan view of the portable receiver of FIG. 1;

FIG. 4 is a right side elevational view of the portable receiver of FIG. 1;

FIG. 5 is a rear elevational view of the portable receiver of FIG. 1;

FIG. 6 is a front elevational view of the portable receiver of FIG. 1;

FIG. 7 is a perspective view of a portable receiver for a live event according to a second variant of the present design;

FIG. 8 is a left side elevational view of the portable receiver of FIG. 7;

FIG. 9 is a top plan view of the portable receiver of FIG. 7;

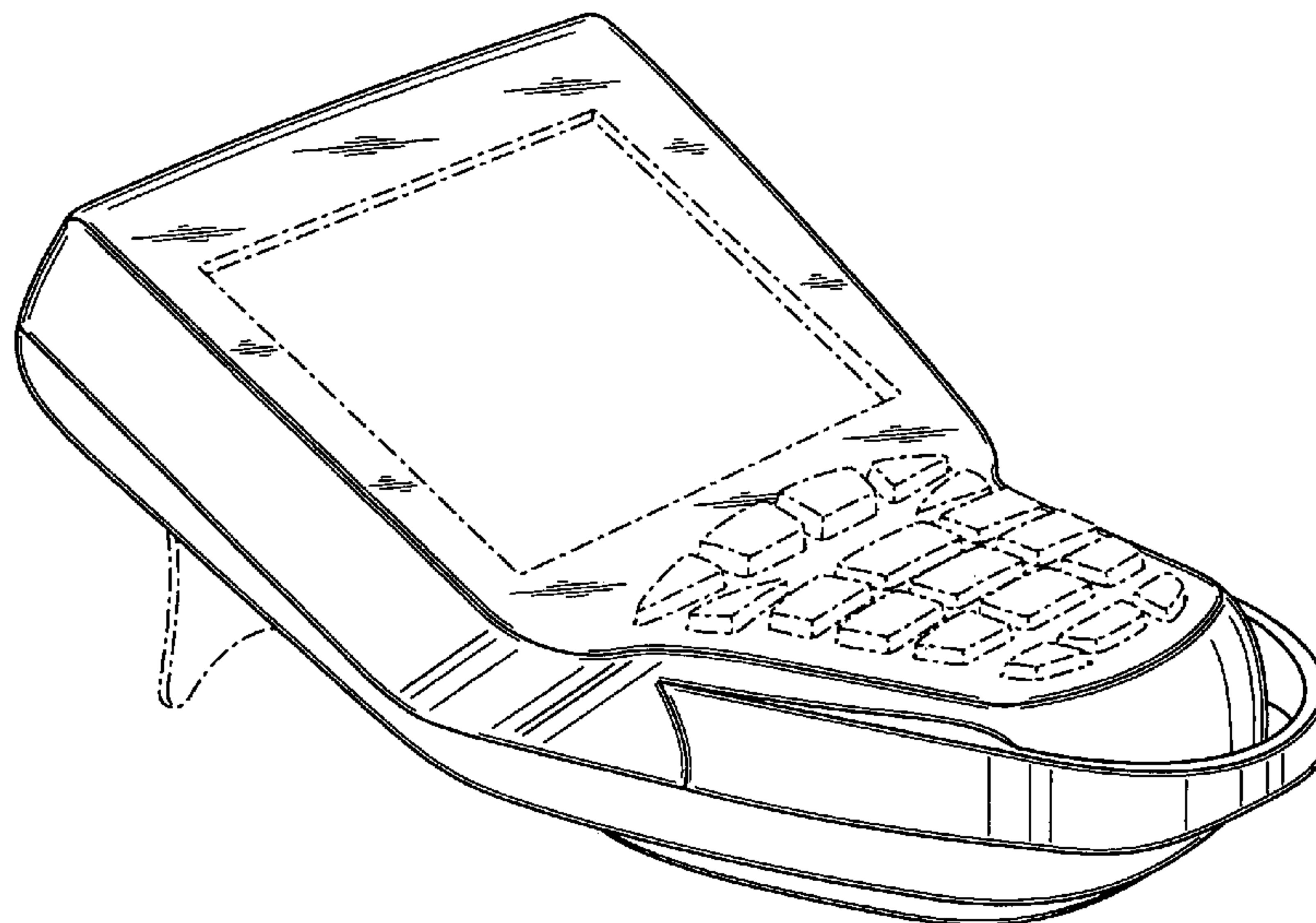
FIG. 10 is a right side elevational view of the portable receiver of FIG. 7;

FIG. 11 is a rear elevational view of the portable receiver of FIG. 7; and,

FIG. 12 is a front elevational view of the portable receiver of FIG. 7.

The broken lines shown in FIGS. 1 to 12 are for illustrative purposes only and form no part of the design.

1 Claim, 4 Drawing Sheets



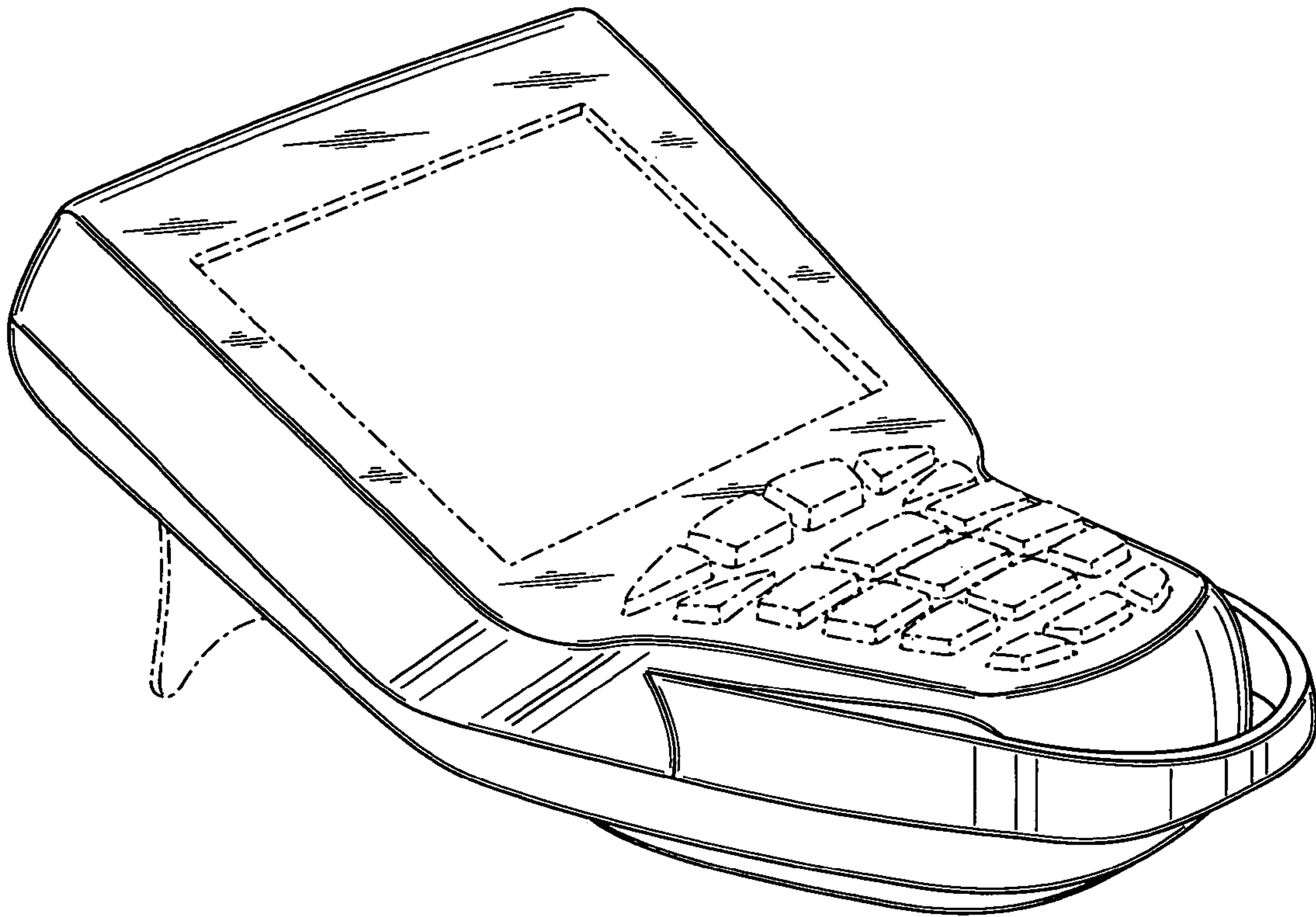


FIG. 1

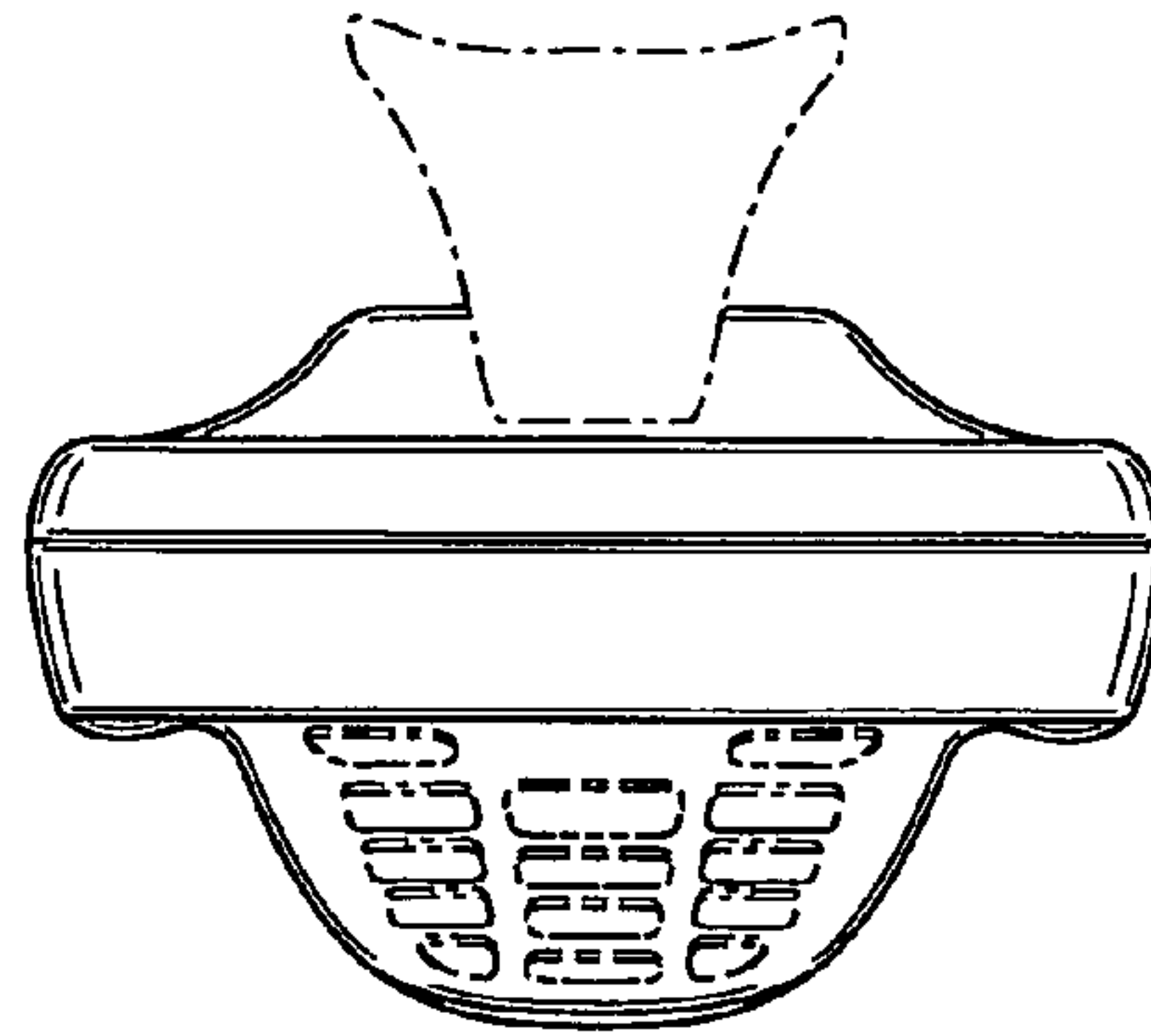


FIG. 5

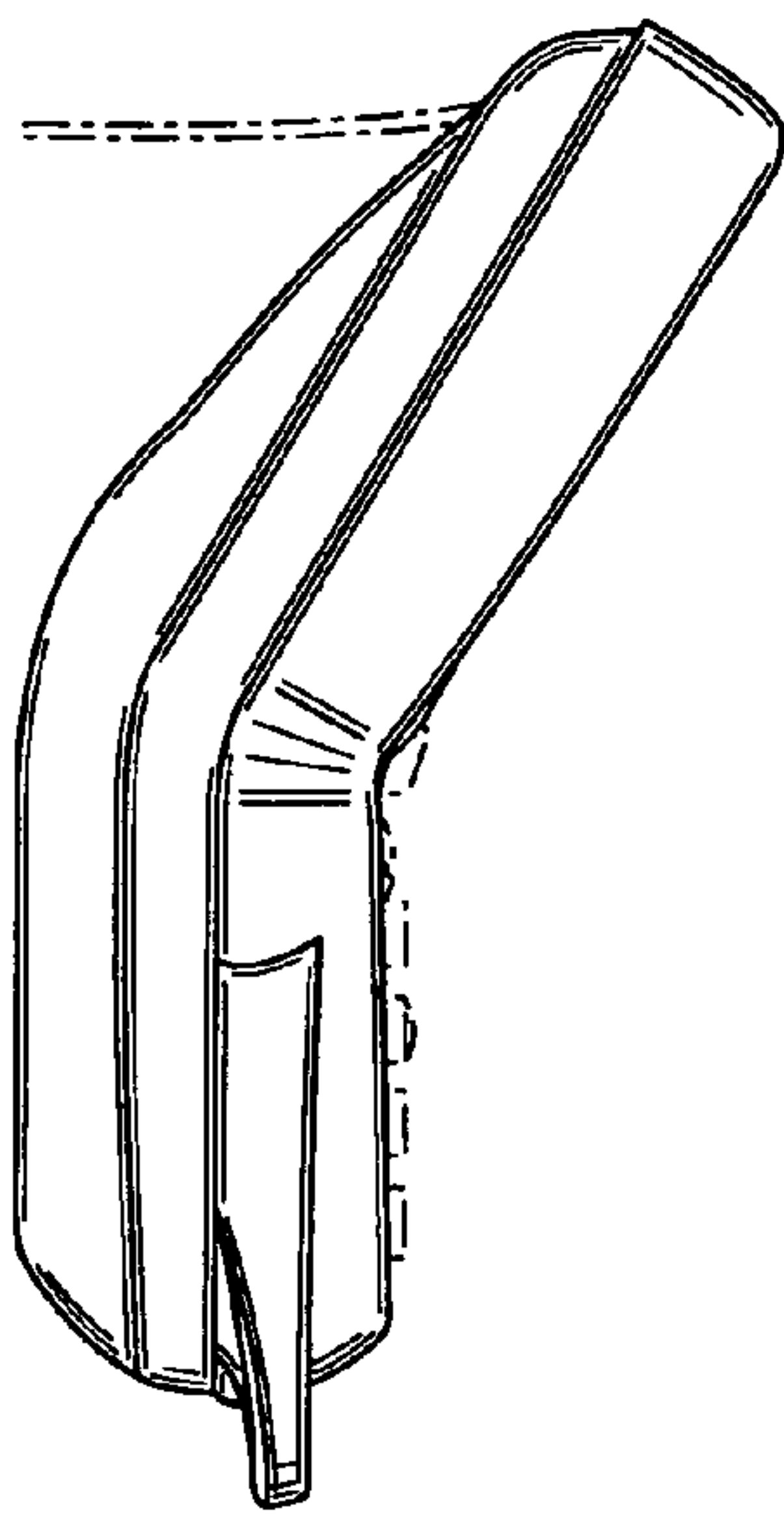


FIG. 2

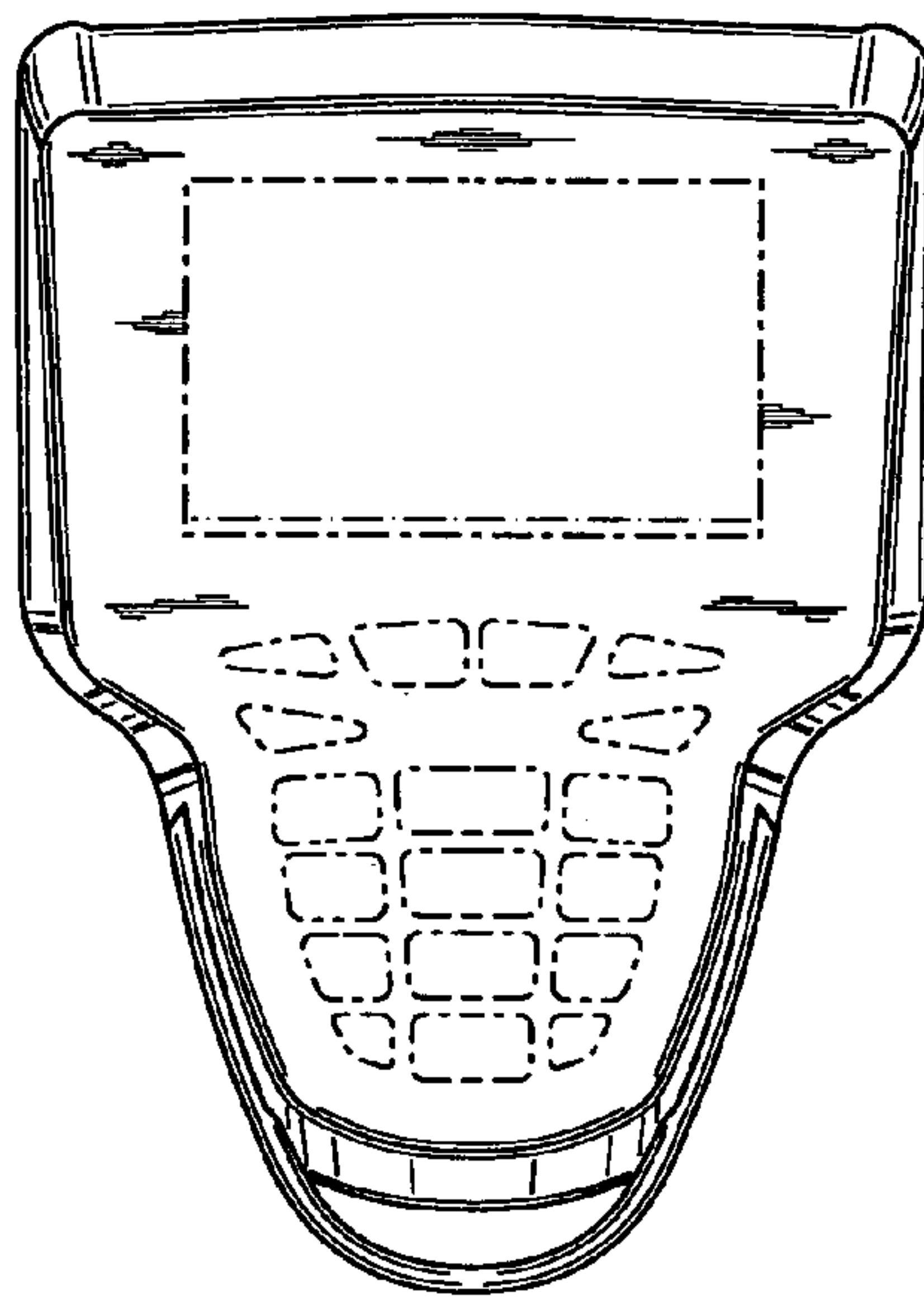


FIG. 3

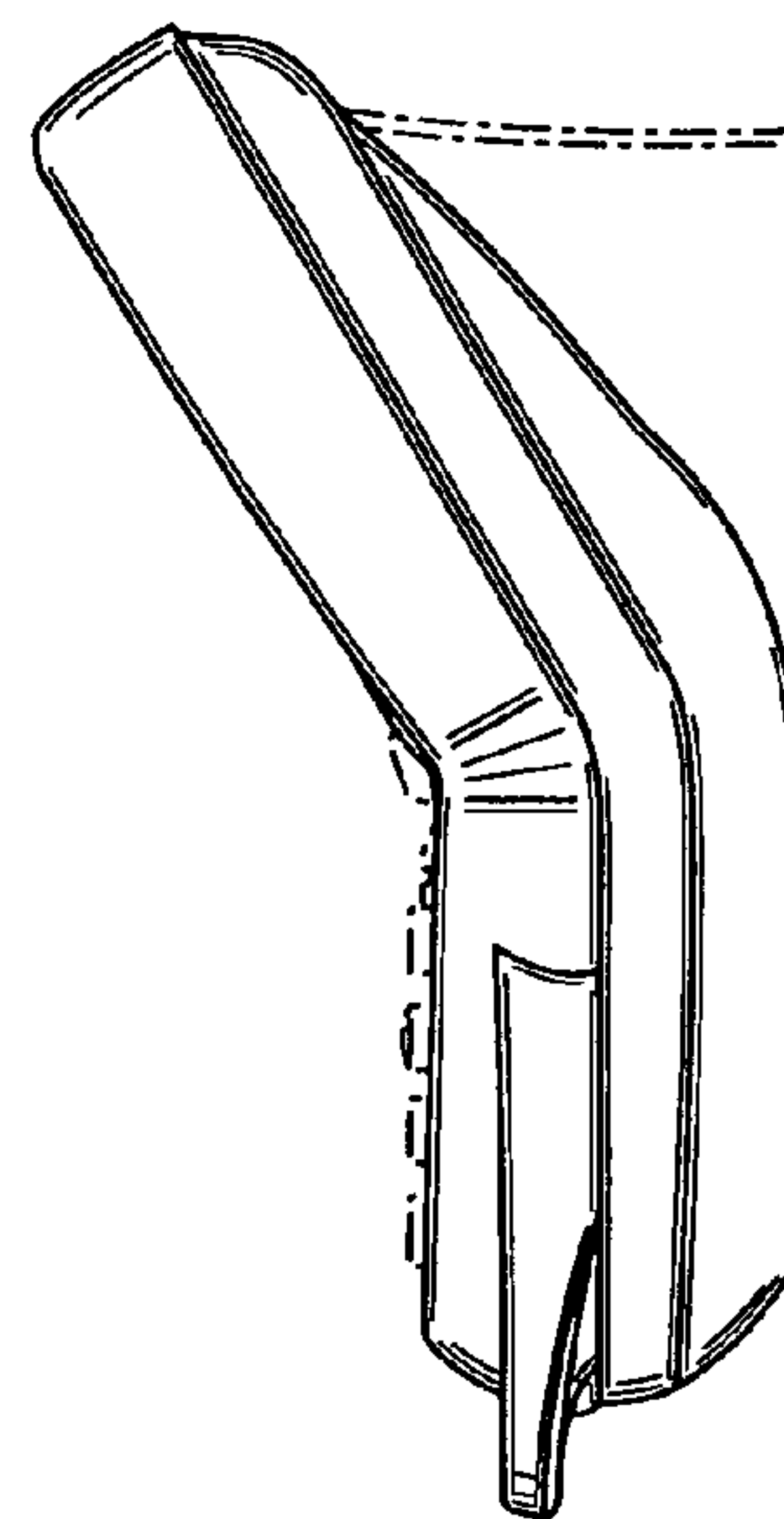


FIG. 4

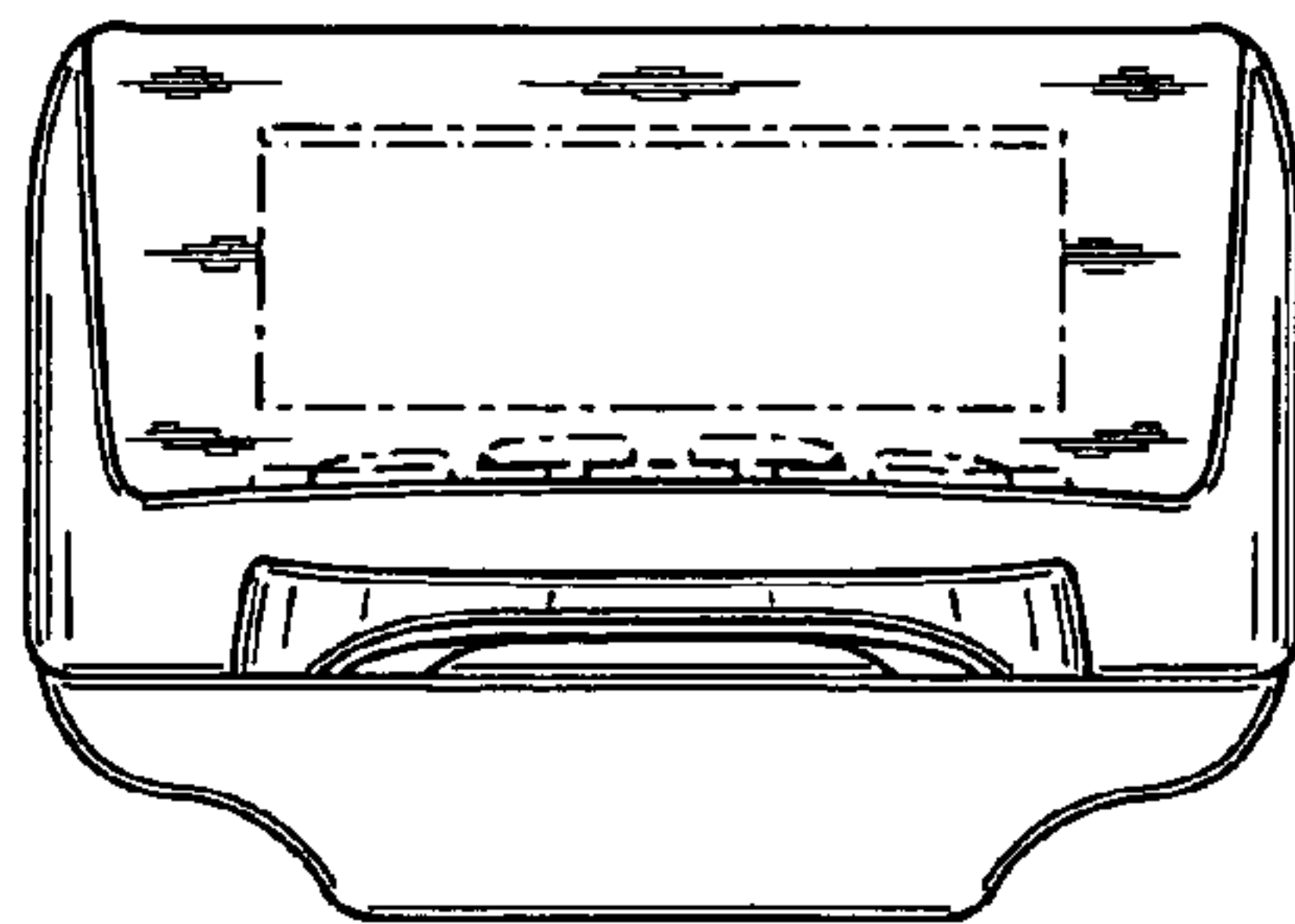


FIG. 6

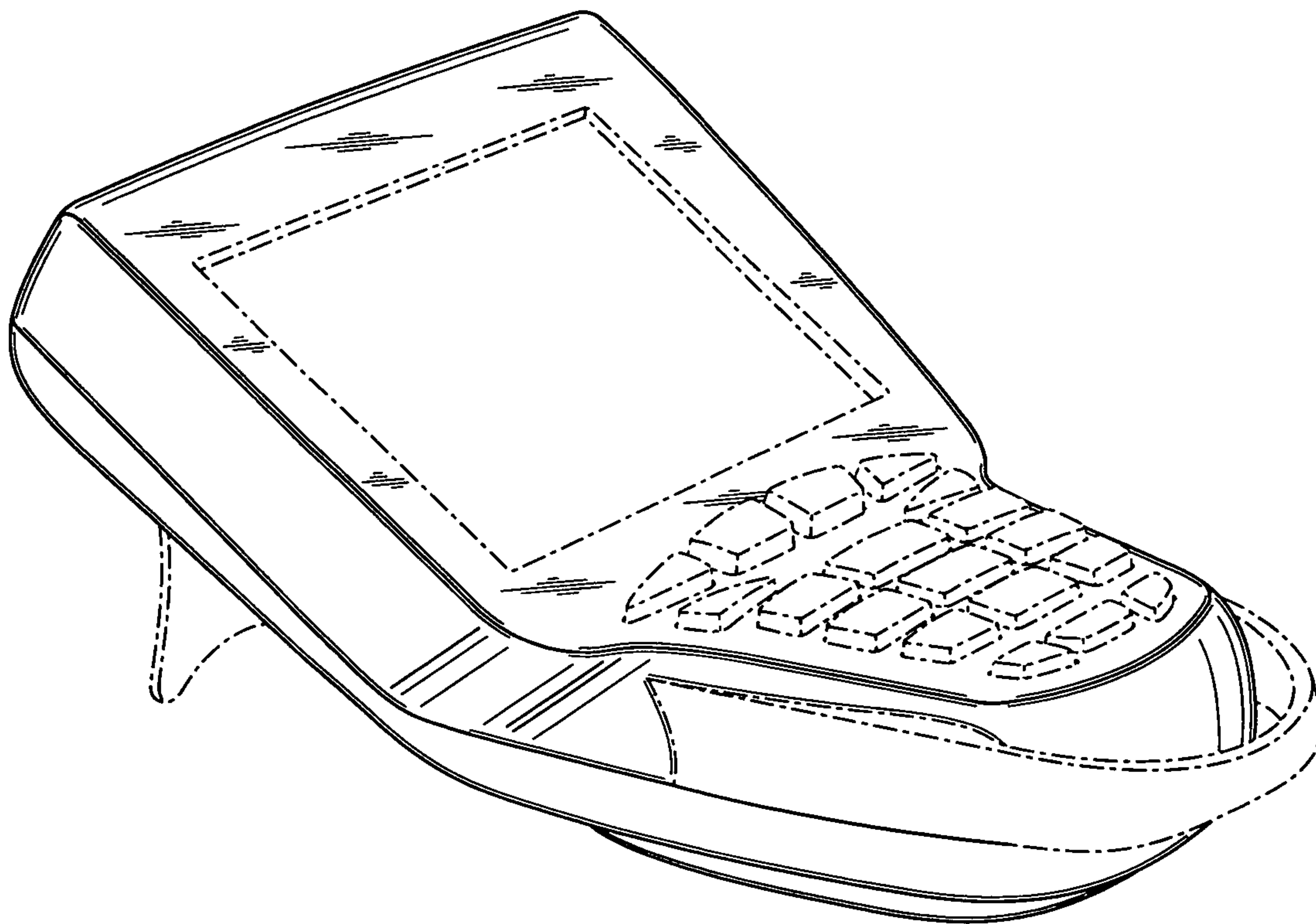


FIG. 7

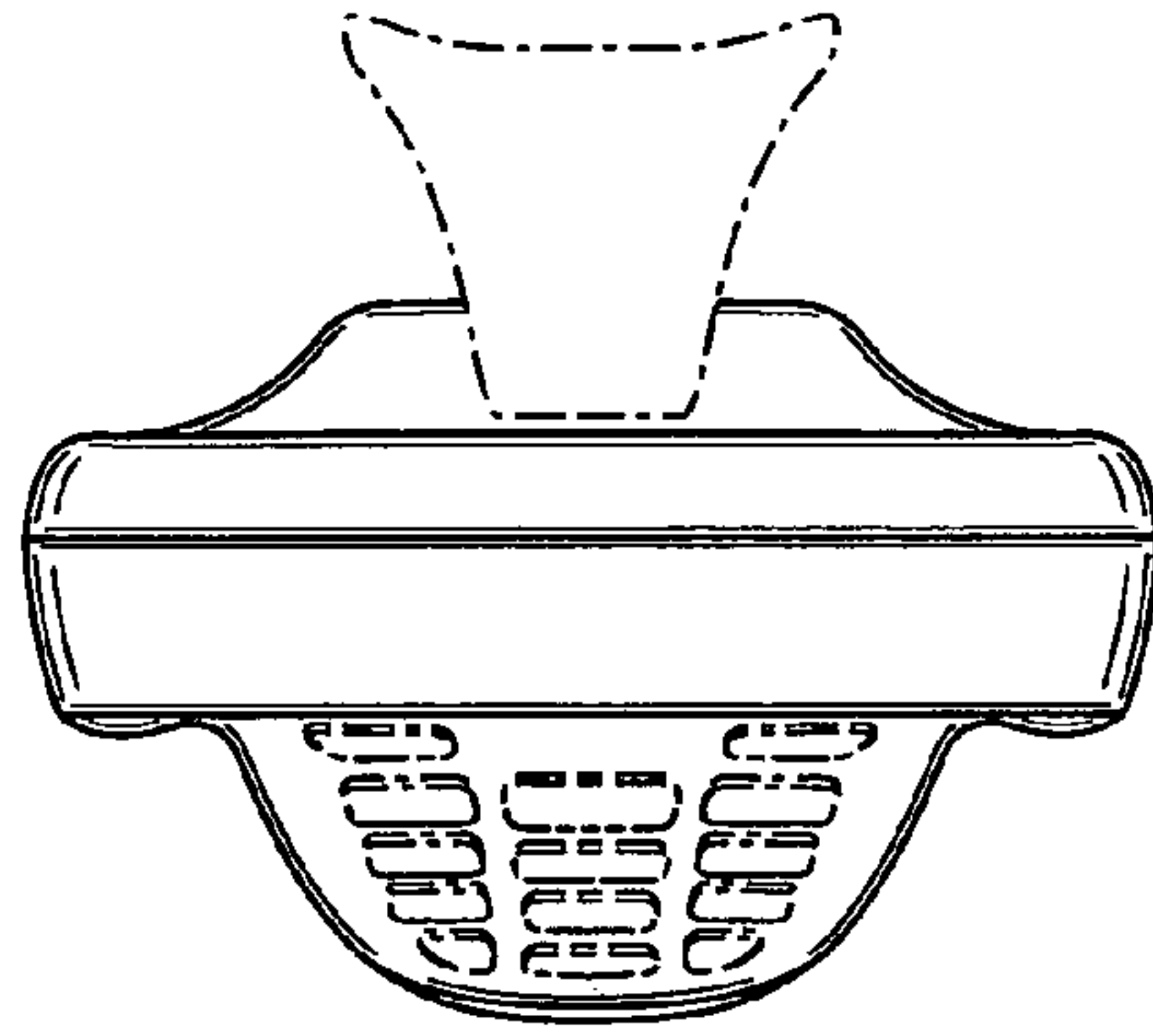


FIG. 11

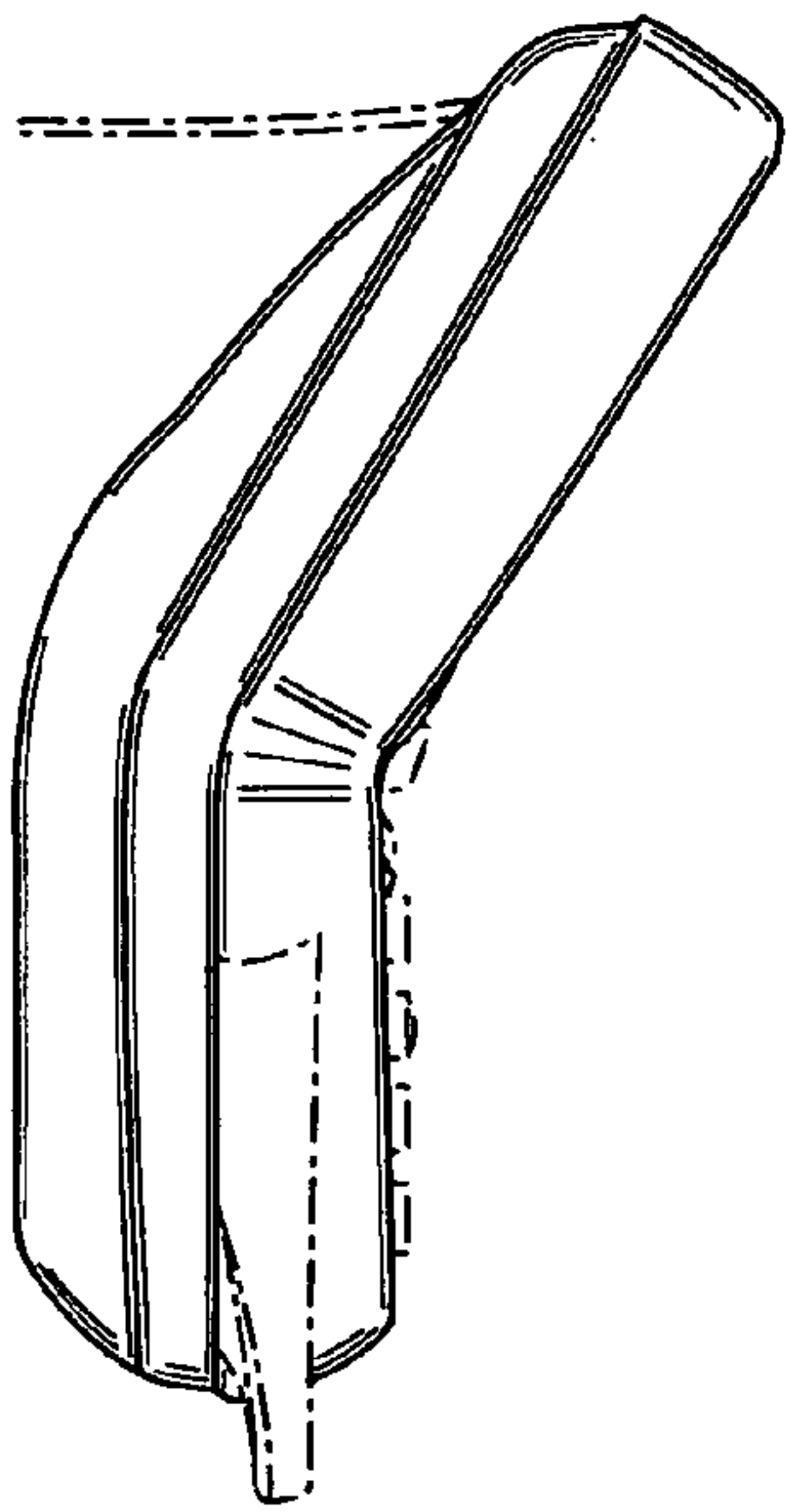


FIG. 8

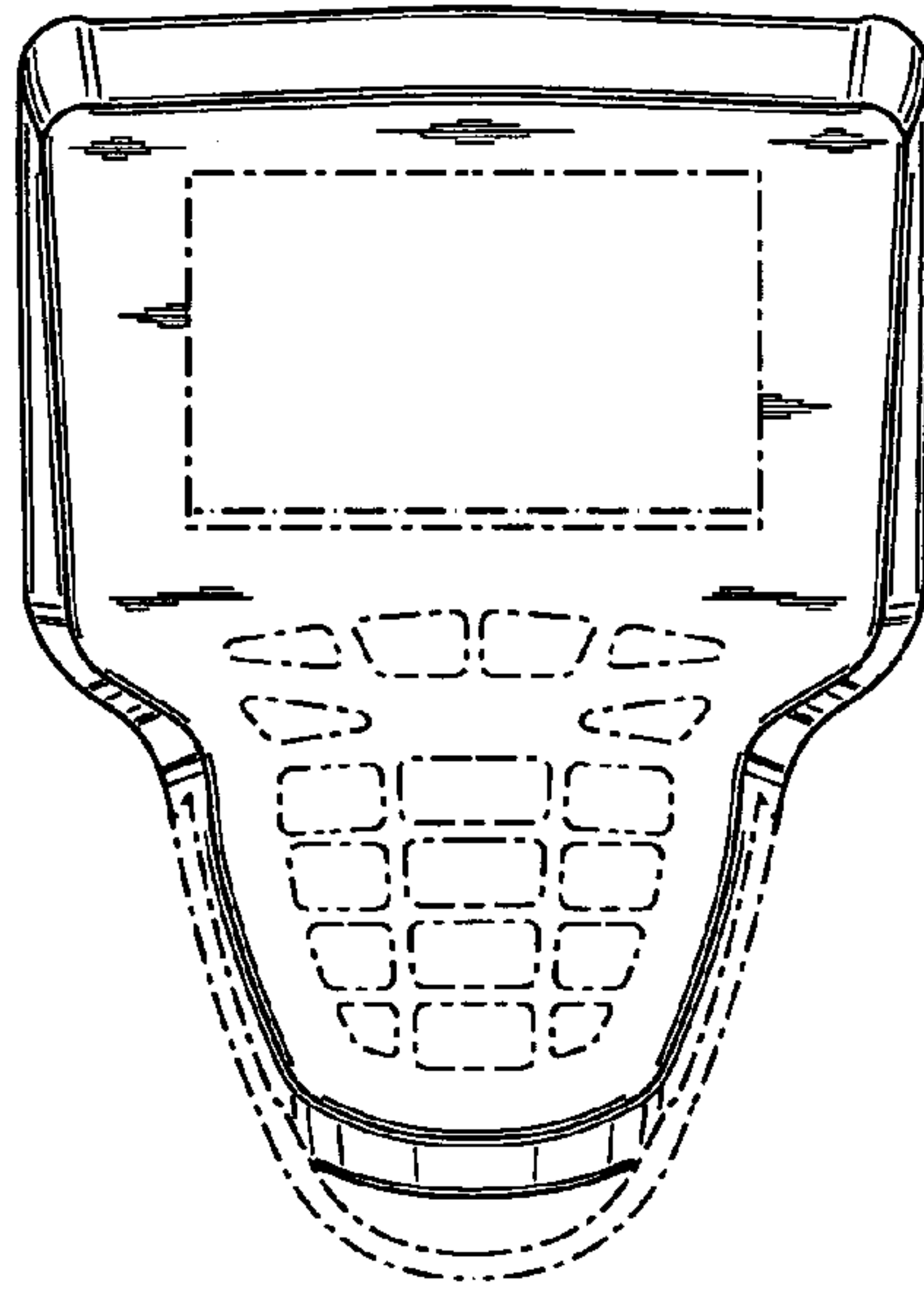


FIG. 9

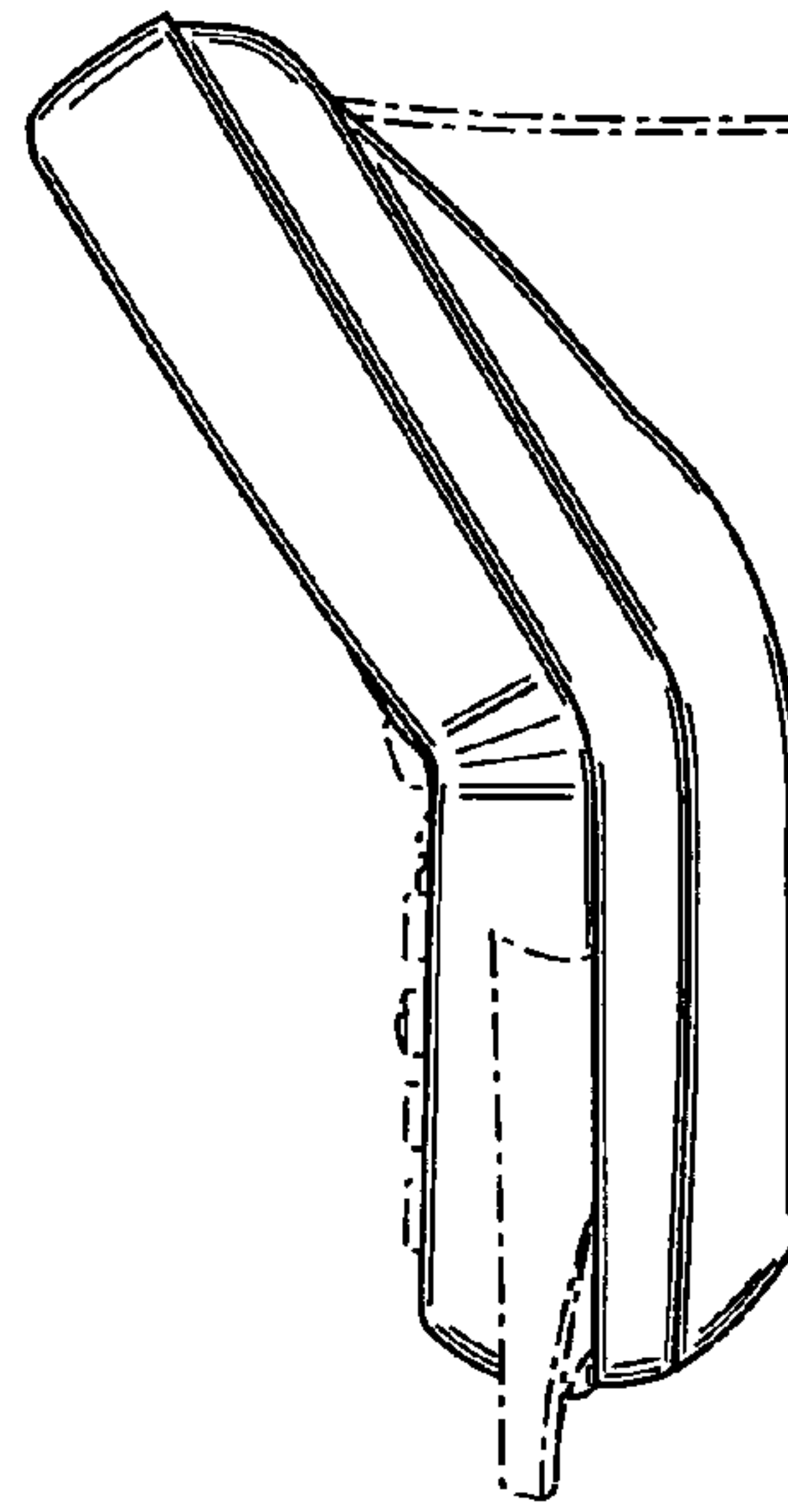


FIG. 10

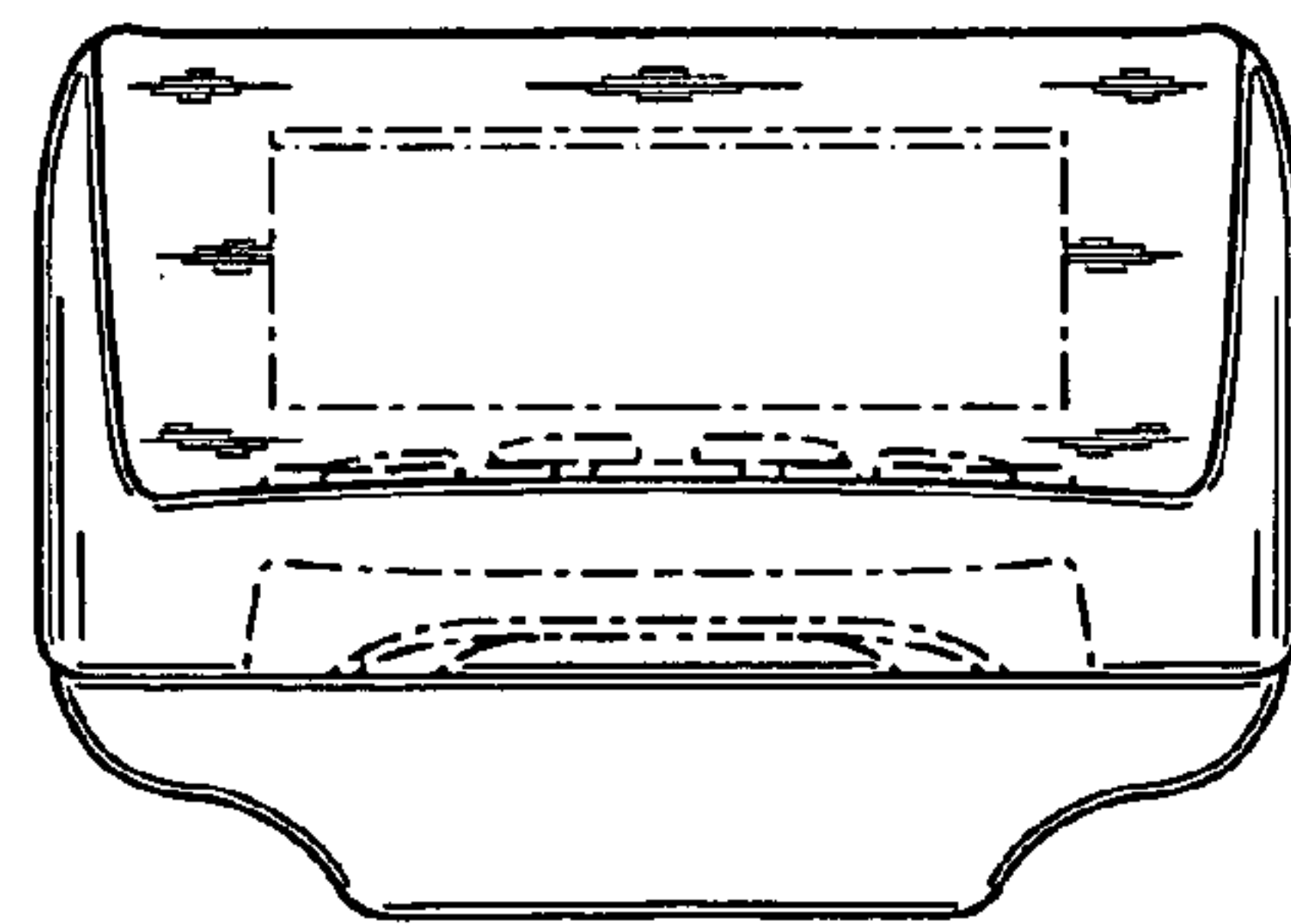


FIG. 12