

US00D548735S

(12) **United States Design Patent**  
**Tang**

(10) **Patent No.:** **US D548,735 S**

(45) **Date of Patent:** **\*\* Aug. 14, 2007**

(54) **PERSONAL DIGITAL ASSISTANT**

(75) Inventor: **Pi-Chi Tang**, Kaohsiung (TW)

(73) Assignee: **Lite-On Technology Corporation**,  
Taipei (TW)

(\*\*) Term: **14 Years**

(21) Appl. No.: **29/239,686**

(22) Filed: **Oct. 4, 2005**

(51) **LOC (8) Cl.** ..... **14-02**

(52) **U.S. Cl.** ..... **D14/343**

(58) **Field of Classification Search** ..... D14/341-346,  
D14/138, 158, 248; D18/1, 2, 7, 11; 345/104,  
345/156, 168, 169, 173; 178/18.03; 235/145 A,  
235/145 R; 341/22, 23; 349/12; 361/680-686;  
400/82; 455/550

See application file for complete search history.

(56) **References Cited**

**U.S. PATENT DOCUMENTS**

D416,253 S *	11/1999	Hibino	.....	D14/138
D423,468 S *	4/2000	Jenkins	.....	D14/342
D442,583 S *	5/2001	Ohta et al.	.....	D14/346
D464,961 S *	10/2002	Sogabe	.....	D14/346
D477,597 S *	7/2003	Laverick et al.	.....	D14/346
D479,527 S *	9/2003	Eigenstetter et al.	.....	D14/346
D484,127 S *	12/2003	Laverick et al.	.....	D14/345
D488,471 S *	4/2004	Yagawa et al.	.....	D14/346
D495,695 S *	9/2004	Yugaya	.....	D14/346

D509,215 S *	9/2005	Han et al.	.....	D14/343
2003/0128190 A1 *	7/2003	Wilbrink et al.	.....	345/169
2003/0206150 A1 *	11/2003	Hussey et al.	.....	345/156
2004/0080487 A1 *	4/2004	Griffin et al.	.....	345/156

\* cited by examiner

*Primary Examiner*—Freda S. Nunn

(74) *Attorney, Agent, or Firm*—Birch, Stewart, Kolasch & Birch, LLP

(57) **CLAIM**

The ornamental design for a “personal digital assistant,” as shown and described.

**DESCRIPTION**

FIG. 1 is a perspective view of a personal digital assistant showing my new design;

FIG. 2 is a front view thereof;

FIG. 3 is a rear view thereof;

FIG. 4 is a left side view thereof;

FIG. 5 is a right side view thereof;

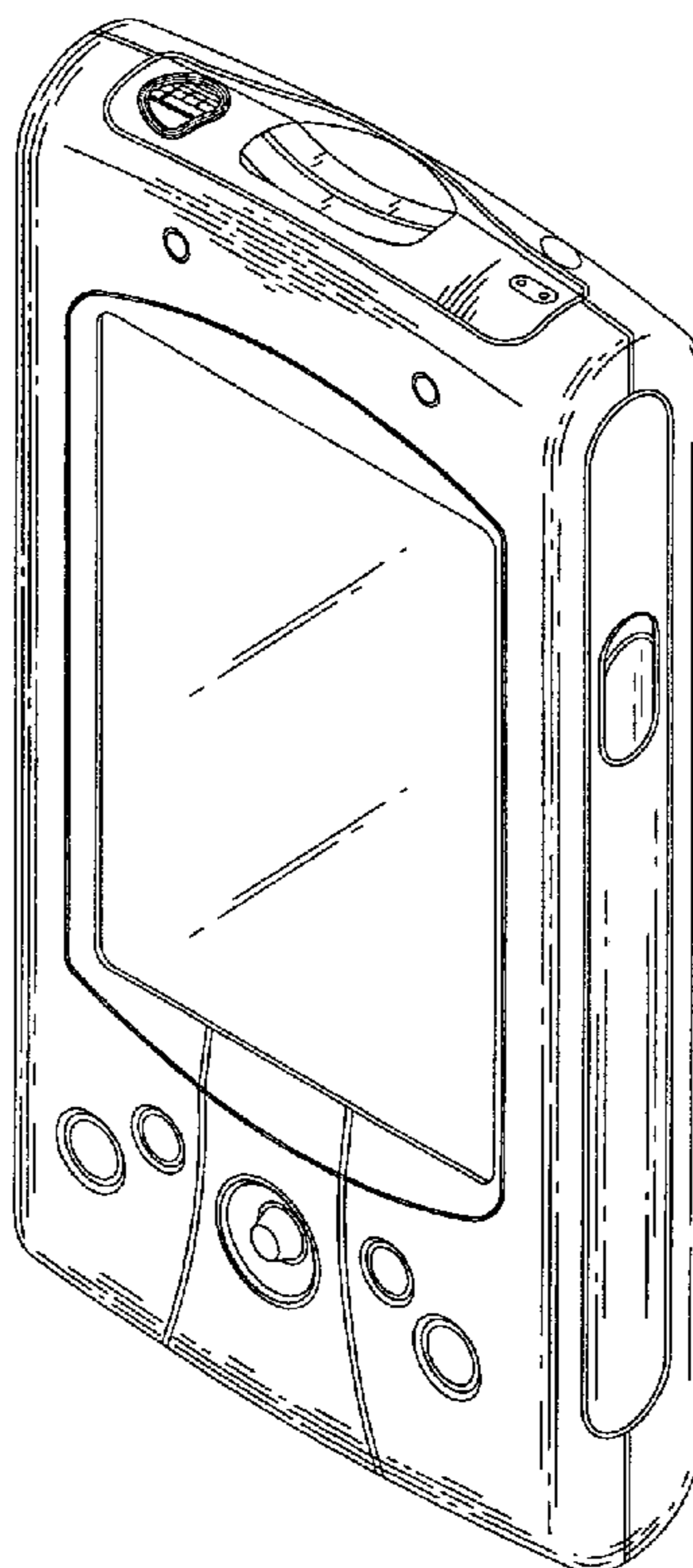
FIG. 6 is a top view thereof;

FIG. 7 is a bottom view thereof; and

FIG. 8 is a perspective view thereof wherein the antenna module is raised in horizontal use; and,

FIG. 9 is a perspective view thereof wherein the antenna module is raised in vertical use.

**1 Claim, 7 Drawing Sheets**



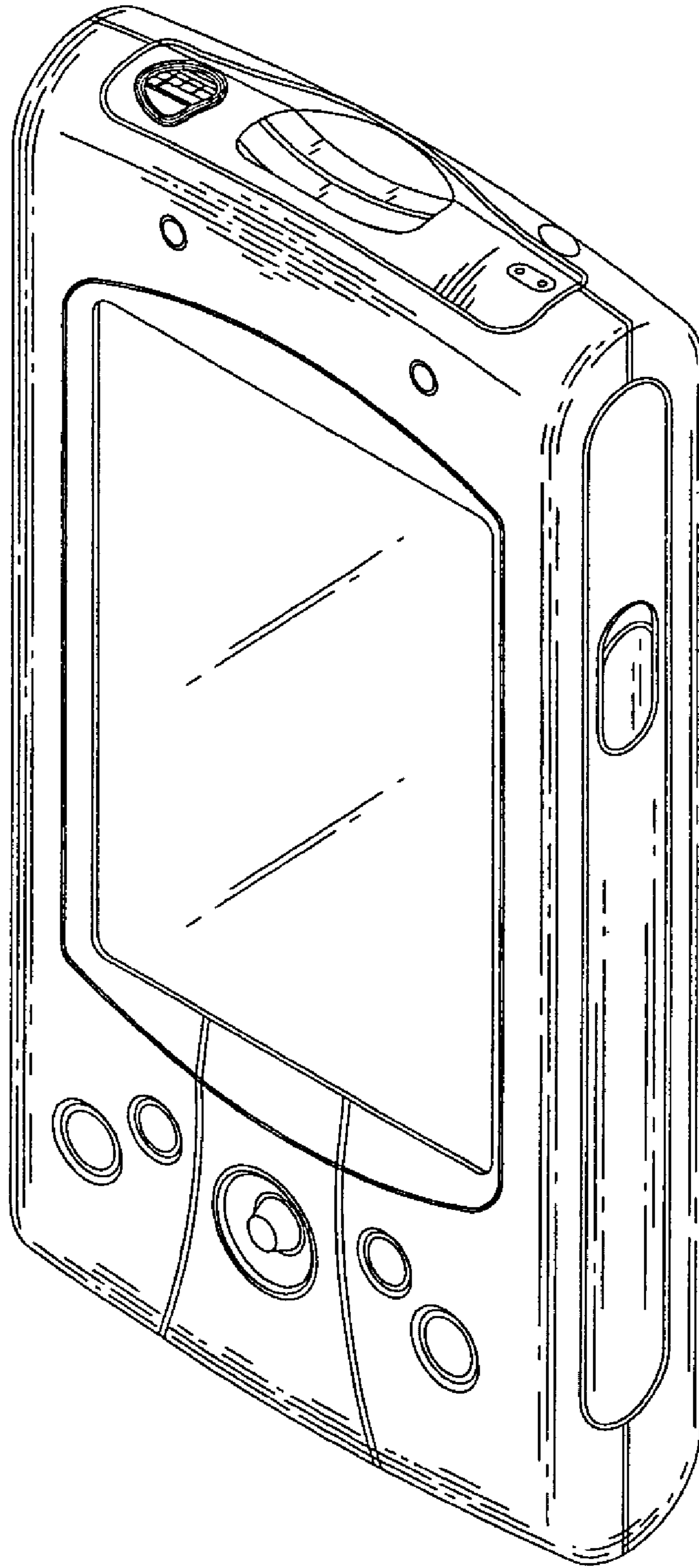


FIG 1

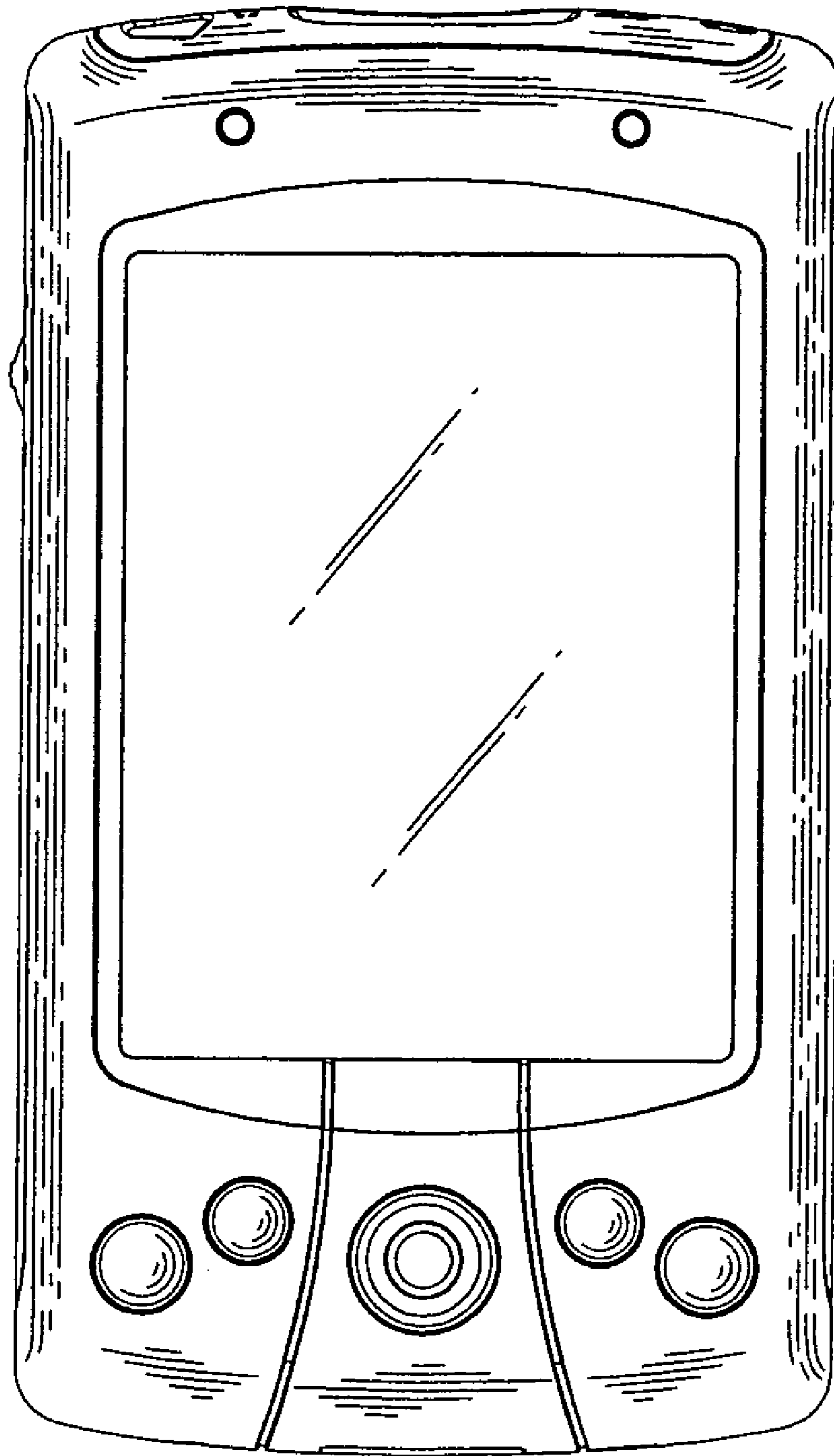


FIG 2

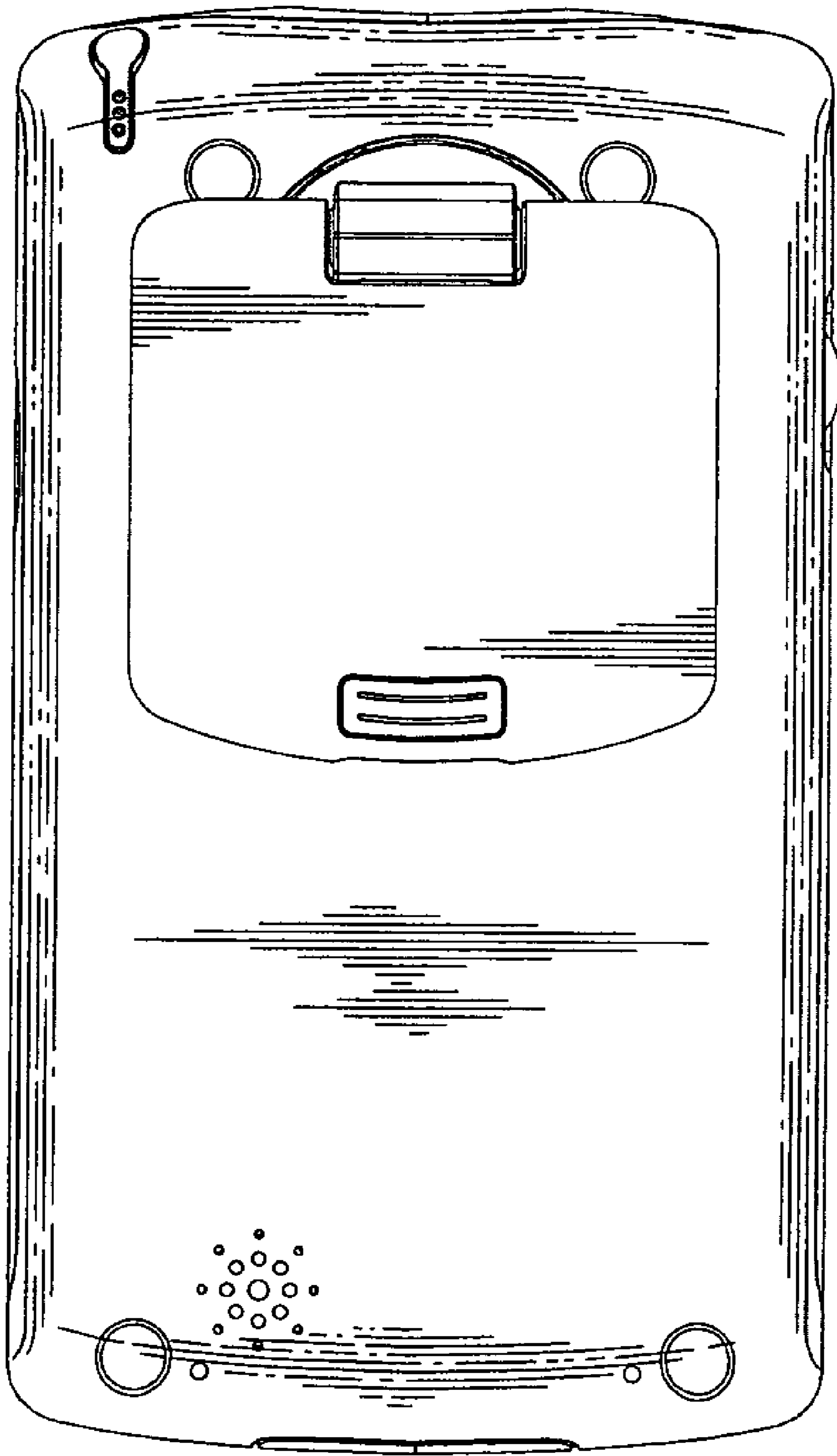


FIG 3

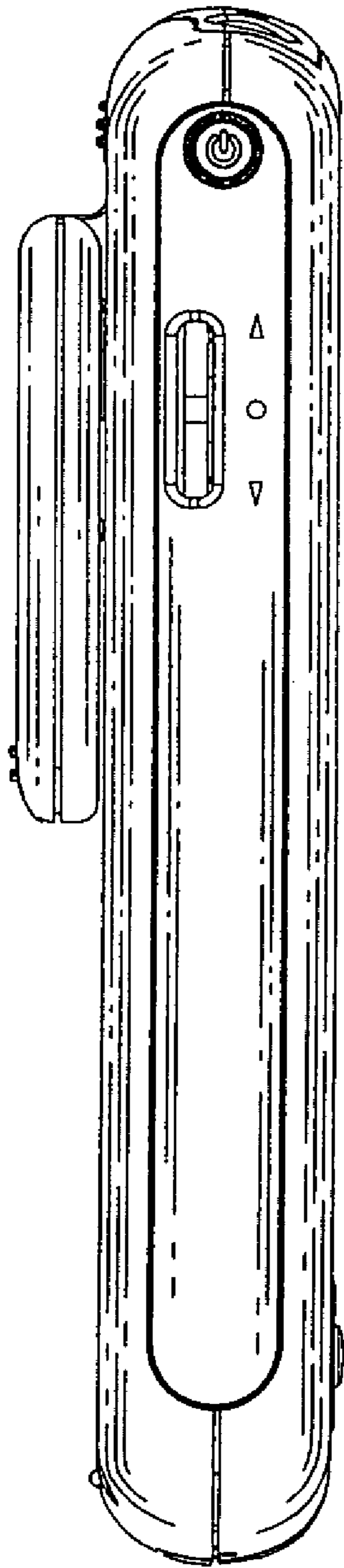


FIG 4

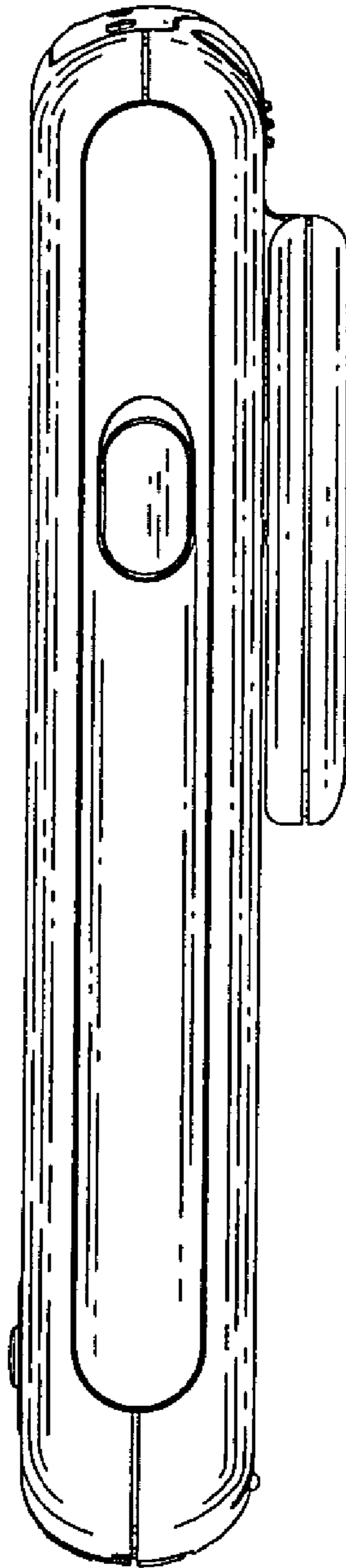


FIG 5

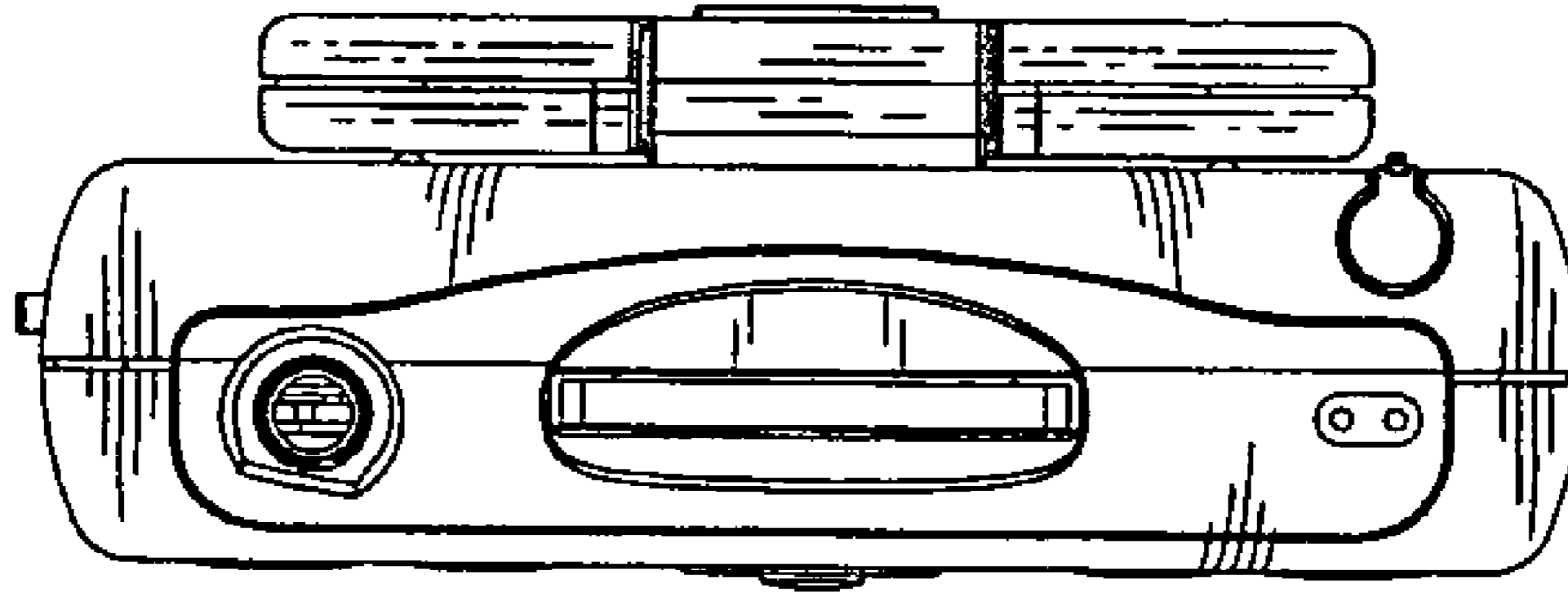


FIG 6

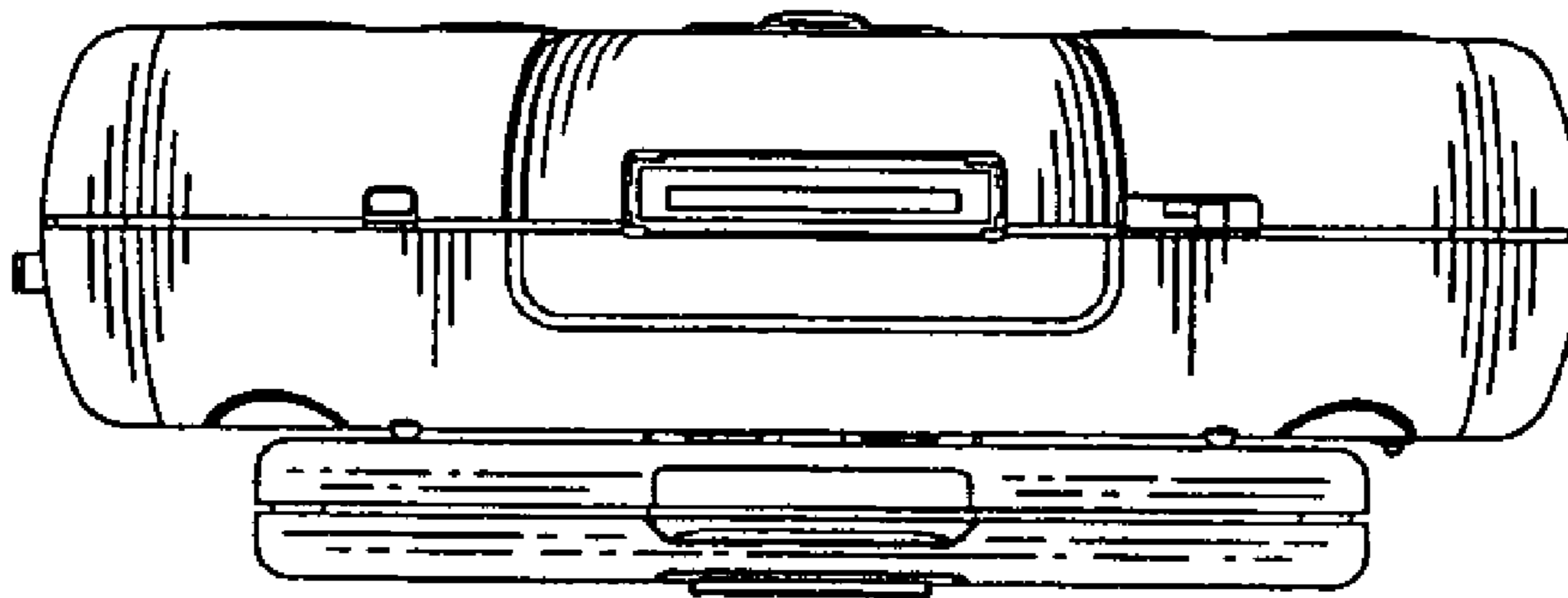


FIG 7

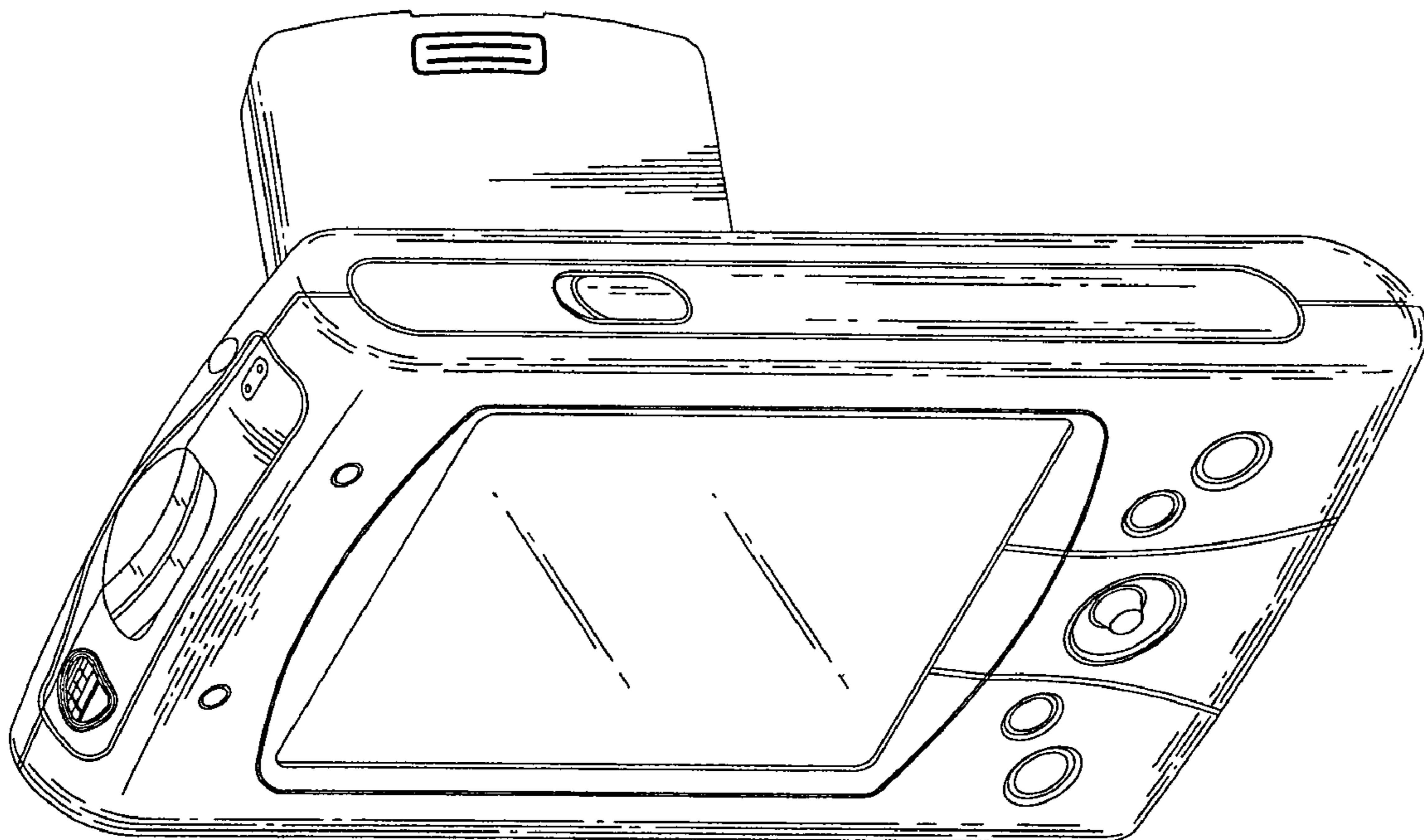


FIG 8

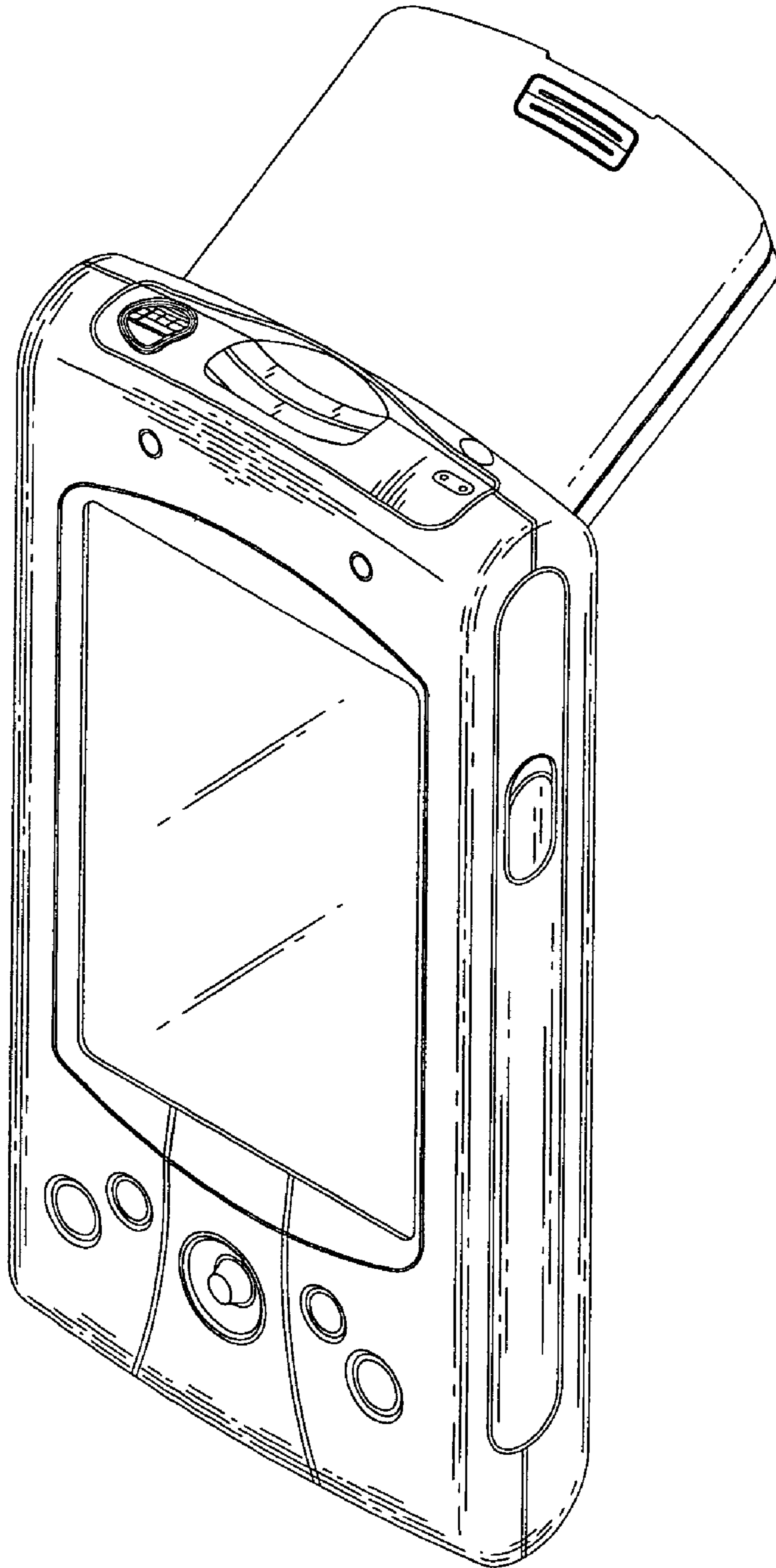


FIG 9