

US00D548731S

(12) **United States Design Patent**  
**Liu et al.**

(10) **Patent No.:** **US D548,731 S**

(45) **Date of Patent:** **\*\* Aug. 14, 2007**

(54) **WIRELESS ACCESS POINT**

(75) Inventors: **Calvin Y. Liu**, Irvine, CA (US);  
**Hung-Bing Chen**, Tustin, CA (US)

(73) Assignee: **Cisco Technology, Inc.**, San Jose, CA (US)

(\*\*) Term: **14 Years**

(21) Appl. No.: **29/258,619**

(22) Filed: **Apr. 25, 2006**

(51) **LOC (8) Cl.** ..... **14-03**

(52) **U.S. Cl.** ..... **D14/240**

(58) **Field of Classification Search** ..... D14/240,  
D14/242, 300, 348, 356, 233, 433, 249, 299;  
D13/184, 199, 110, 137.2, 160; 360/69;  
379/220.01, 221.09, 220.14, 25, 93.09, 93.15,  
379/156, 900, 338, 339; 381/124; 607/36  
See application file for complete search history.

(56) **References Cited**

**U.S. PATENT DOCUMENTS**

D290,121 S *	6/1987	Claxton	.....	D14/233
D308,864 S *	6/1990	Takai	.....	D14/242
D331,394 S *	12/1992	Kobayashi et al.	.....	D14/242
D346,607 S *	5/1994	Bhargava et al.	.....	D14/242
D356,297 S *	3/1995	Carl et al.	.....	D13/160
D375,937 S *	11/1996	Mergenthaler et al.	....	D13/110
D392,645 S *	3/1998	Wakabayashi	.....	D14/240
D399,211 S *	10/1998	Cockson	.....	D14/233
D408,823 S *	4/1999	Kirby	.....	D14/240
D422,967 S *	4/2000	Ishida	.....	D14/240
D460,753 S *	7/2002	Hill et al.	.....	D14/240

D462,954 S *	9/2002	Chen	.....	D14/299
D469,430 S *	1/2003	Sue et al.	.....	D14/349
D471,908 S *	3/2003	Stone et al.	.....	D14/356
D472,555 S *	4/2003	Tomino	.....	D14/433
D472,893 S *	4/2003	Pullman	.....	D14/240
D473,223 S *	4/2003	Pullman	.....	D14/240
D489,059 S *	4/2004	Dendou et al.	.....	D14/242
D506,755 S *	6/2005	Chen et al.	.....	D14/349
D510,344 S *	10/2005	Hsieh	.....	D14/240
D530,316 S *	10/2006	Hsu et al.	.....	D14/240
D530,325 S *	10/2006	Kerila et al.	.....	D14/356

\* cited by examiner

*Primary Examiner*—Charles A. Rademaker

(74) *Attorney, Agent, or Firm*—MacPherson Kwok Chen & Heid LLP; Tom Chen

(57) **CLAIM**

The ornamental design for a wireless access point, as shown and described.

**DESCRIPTION**

FIG. 1 is a perspective view of a wireless router showing our new design;

FIG. 2 is a top plan view thereof;

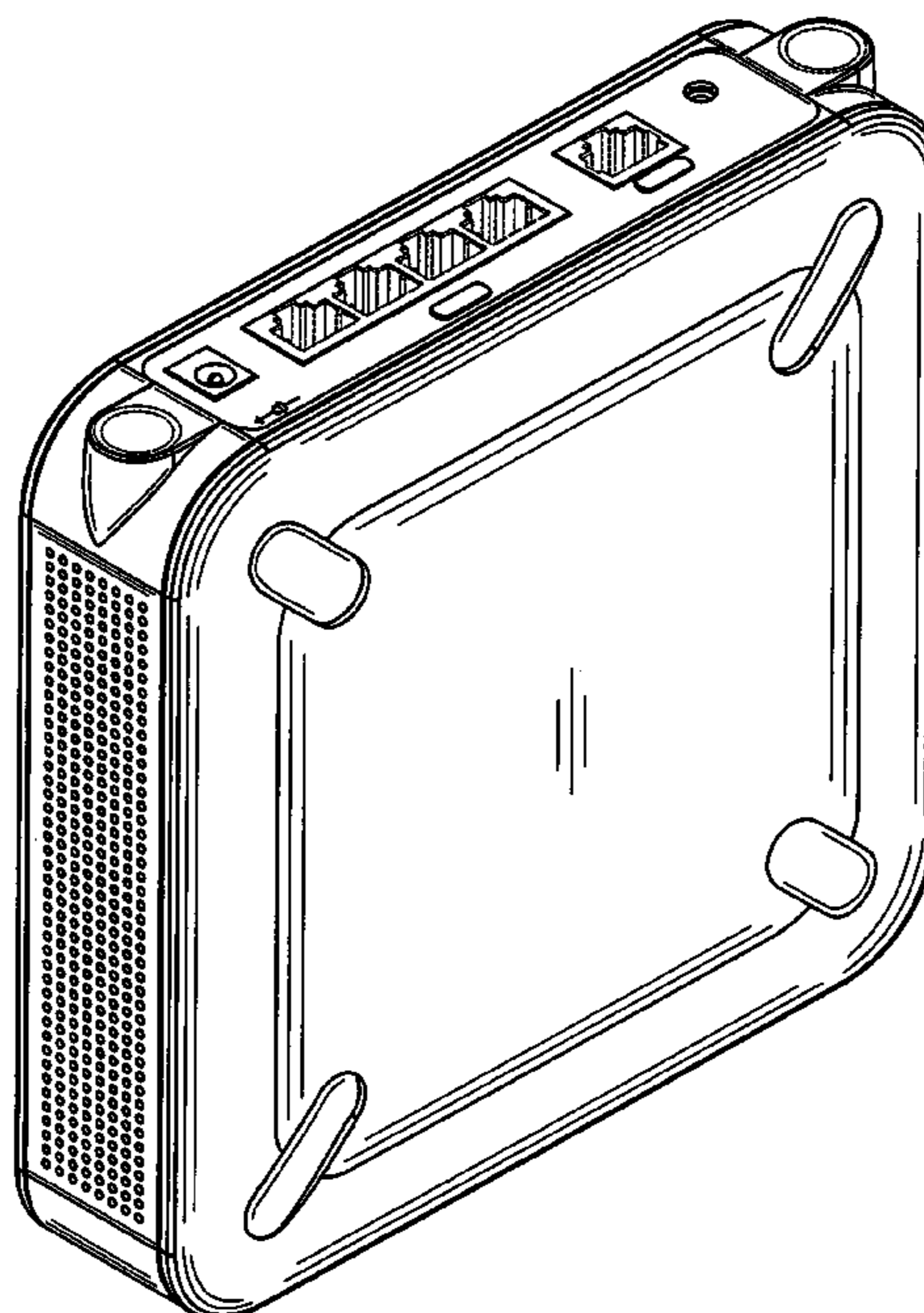
FIG. 3 is a front elevation thereof;

FIG. 4 is a side elevation thereof; and,

FIG. 5 is a rear elevation view thereof.

The broken line showing of portions of the design is included for the purpose of illustrating environmental structure and forms no part of the claimed design.

**1 Claim, 3 Drawing Sheets**



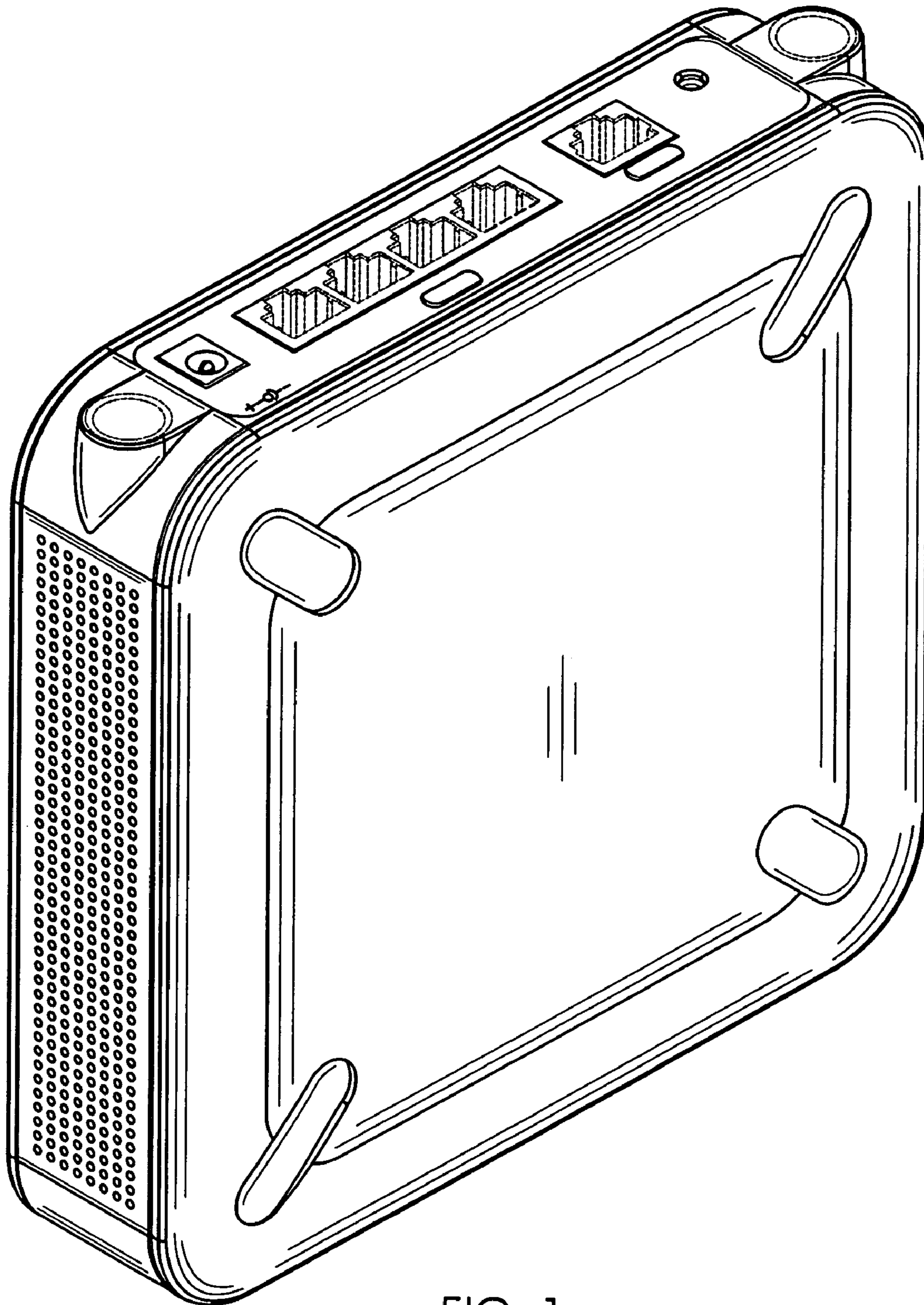


FIG. 1

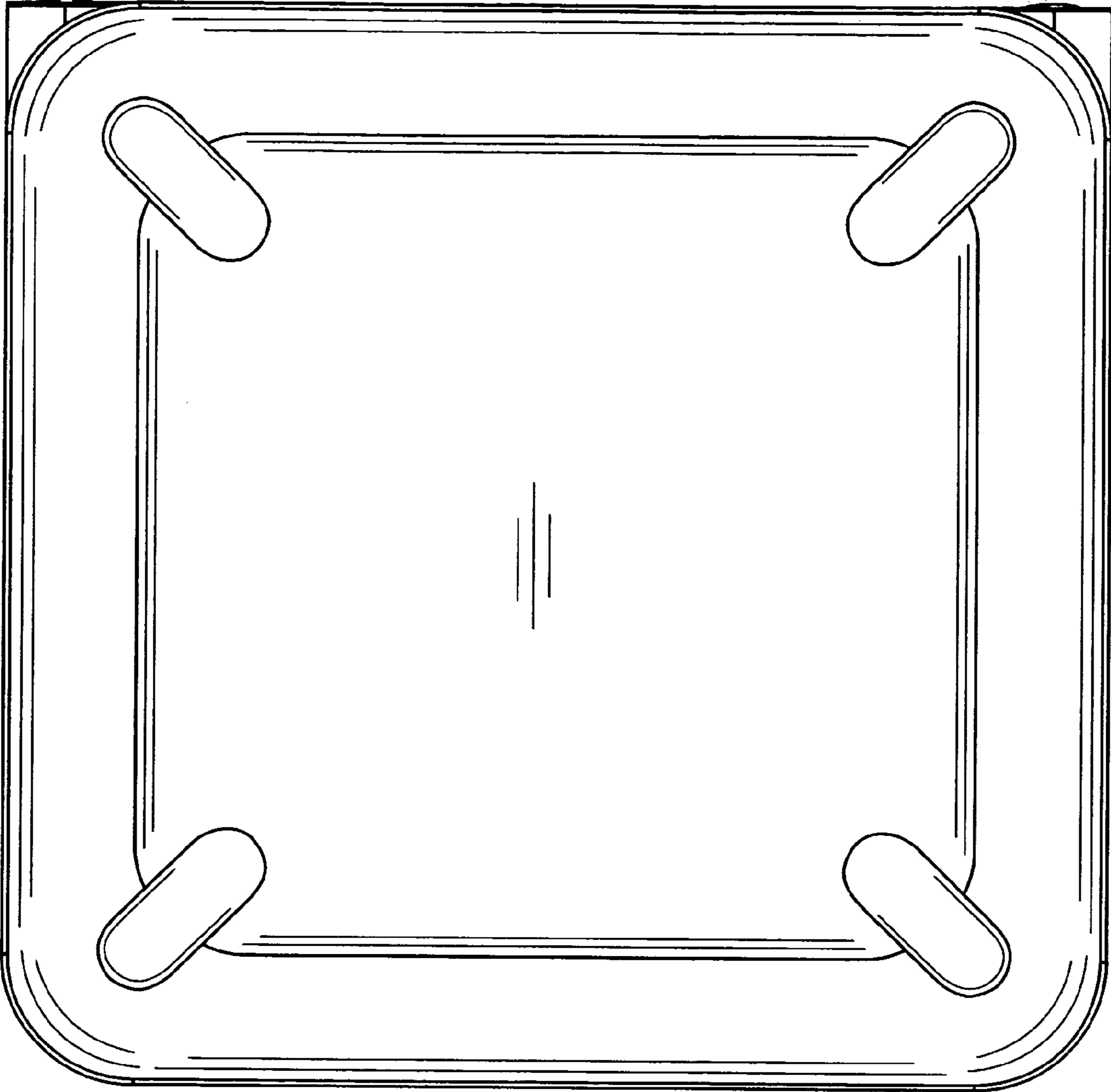


FIG. 2

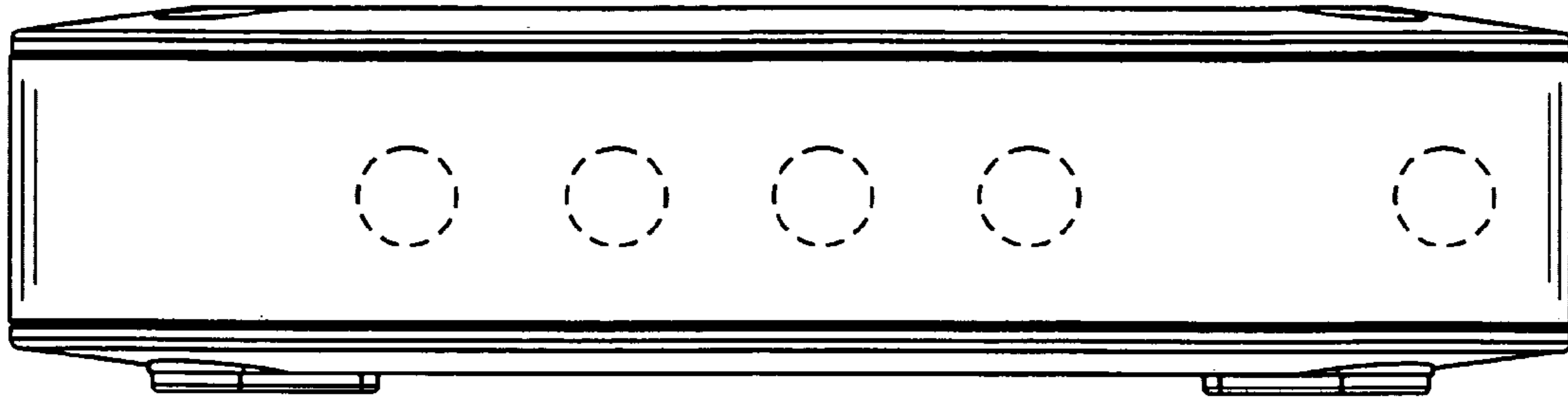


FIG. 3

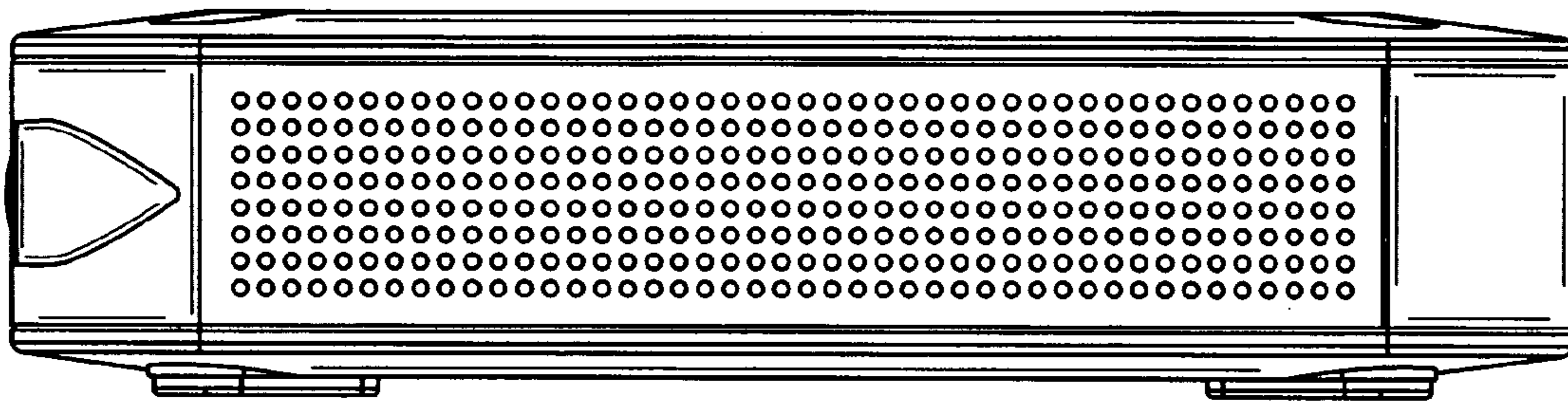


FIG. 4

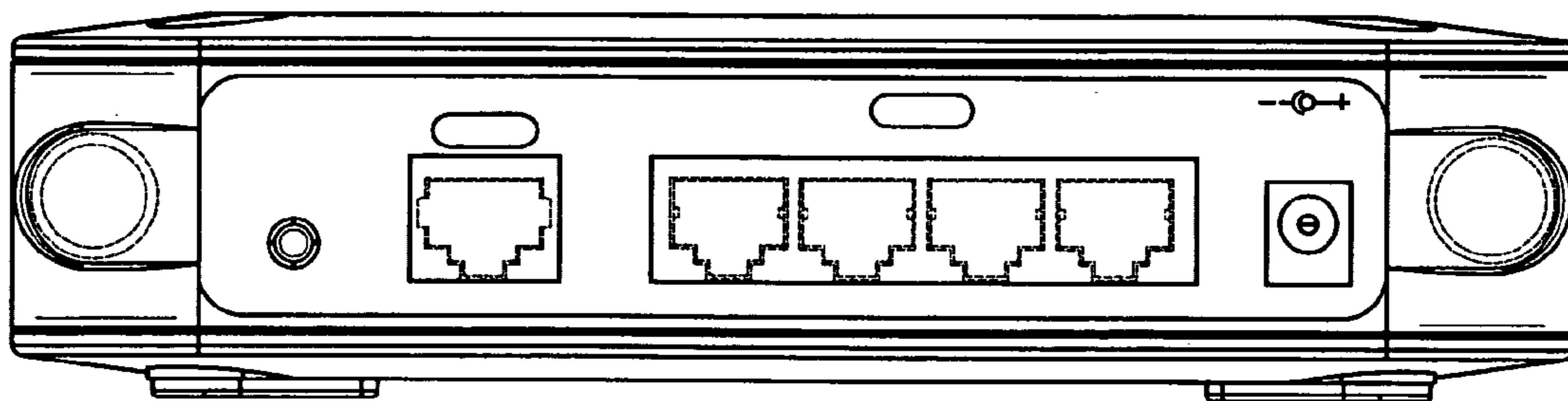


FIG. 5