

US00D548730S

(12) **United States Design Patent**
Inoue

(10) **Patent No.:** **US D548,730 S**

(45) **Date of Patent:** **** Aug. 14, 2007**

(54) **INDOOR ANTENNA**

(75) Inventor: **Shigemi Inoue**, Kobe (JP)

(73) Assignee: **Dx Antenna Company, Limited**,
Hyogo Pref. (JP)

(**) Term: **14 Years**

(21) Appl. No.: **29/267,710**

(22) Filed: **Oct. 20, 2006**

(51) **LOC (8) Cl.** **14-03**

(52) **U.S. Cl.** **D14/230; D14/235**

(58) **Field of Classification Search** D14/138,
D14/230-238, 299, 358; D12/42, 43; 343/700 R-705,
343/871-908, 795, 840, 711-713, 819, 846;
455/90.2, 90.3, 91, 128, 269, 344, 347, 562.1
See application file for complete search history.

(56) **References Cited**

U.S. PATENT DOCUMENTS

D132,380 S *	5/1942	Page	D14/230
D275,673 S	9/1984	Iino et al.		
D300,531 S *	4/1989	Higgins	D14/230
D310,671 S *	9/1990	Weiss	D14/230
D326,097 S *	5/1992	Ferrario	D14/230
D347,219 S *	5/1994	McGreevy	D14/137
D414,777 S	10/1999	Tsai		
D421,017 S	2/2000	Phipps		
D440,961 S *	4/2001	Inoue	D14/230
6,435,932 B1 *	8/2002	Lynn	446/30

D468,302 S *	1/2003	Sato	D14/235
D470,480 S *	2/2003	Ikeda	D14/230
D493,447 S *	7/2004	Noro et al.	D14/230
D501,000 S *	1/2005	Wang	D14/235
D501,467 S *	2/2005	Wang	D14/235
D506,749 S	6/2005	Sullivan et al.		
D517,535 S *	3/2006	Wu	D14/230

* cited by examiner

Primary Examiner—Louis S. Zarfes

Assistant Examiner—John Windmuller

(74) *Attorney, Agent, or Firm*—Wenderoth, Lind & Ponack,
L.L.P.

(57) **CLAIM**

The ornamental design for an indoor antenna, as shown and described.

DESCRIPTION

FIG. 1 is a front elevational view of an indoor antenna showing my new design;

FIG. 2 is a rear elevational view thereof;

FIG. 3 is a top plan view thereof;

FIG. 4 is a bottom plan view thereof;

FIG. 5 is a right-side elevational view, the left being a mirror image thereof; and,

FIG. 6 is a perspective view thereof.

1 Claim, 3 Drawing Sheets

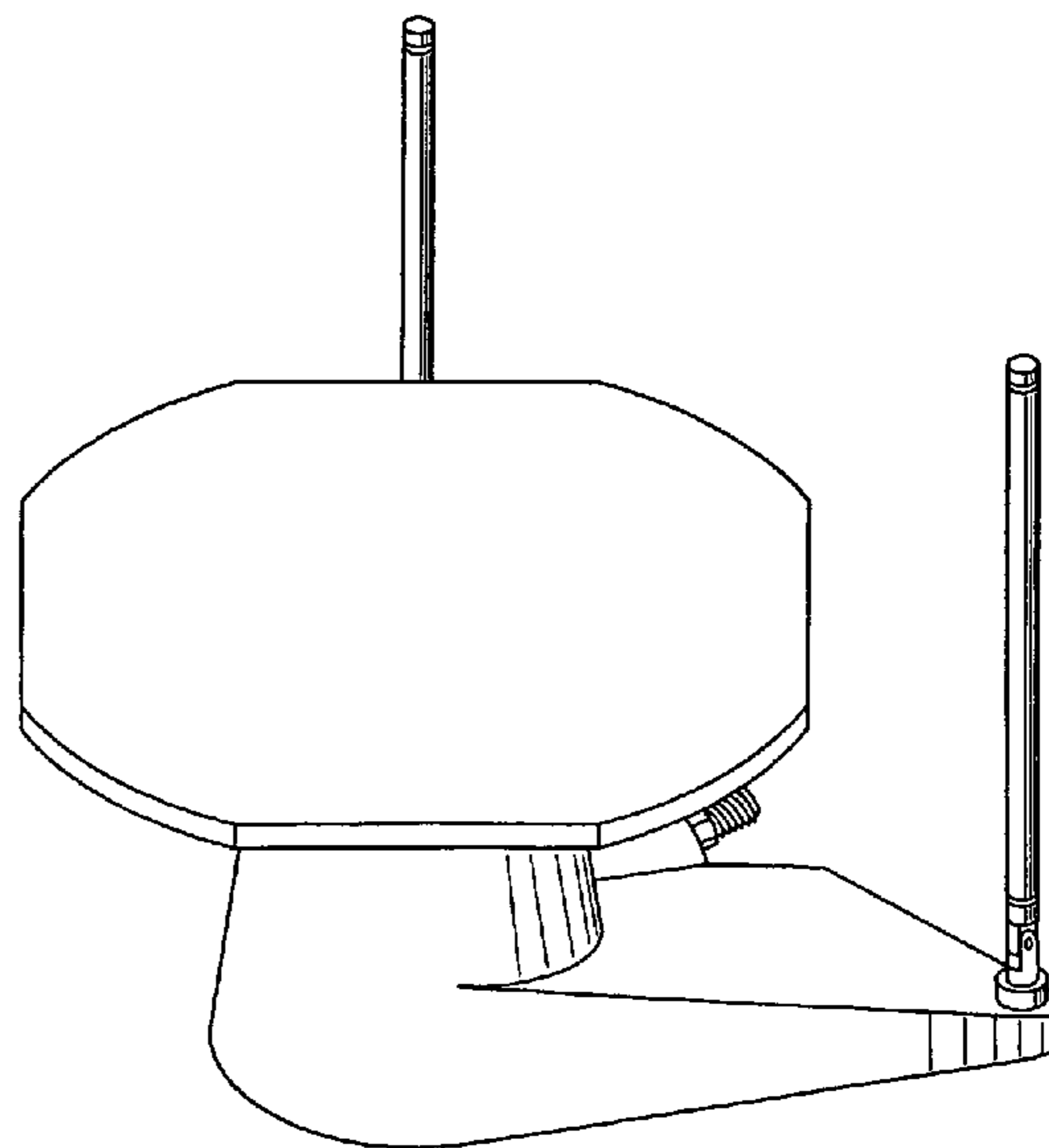
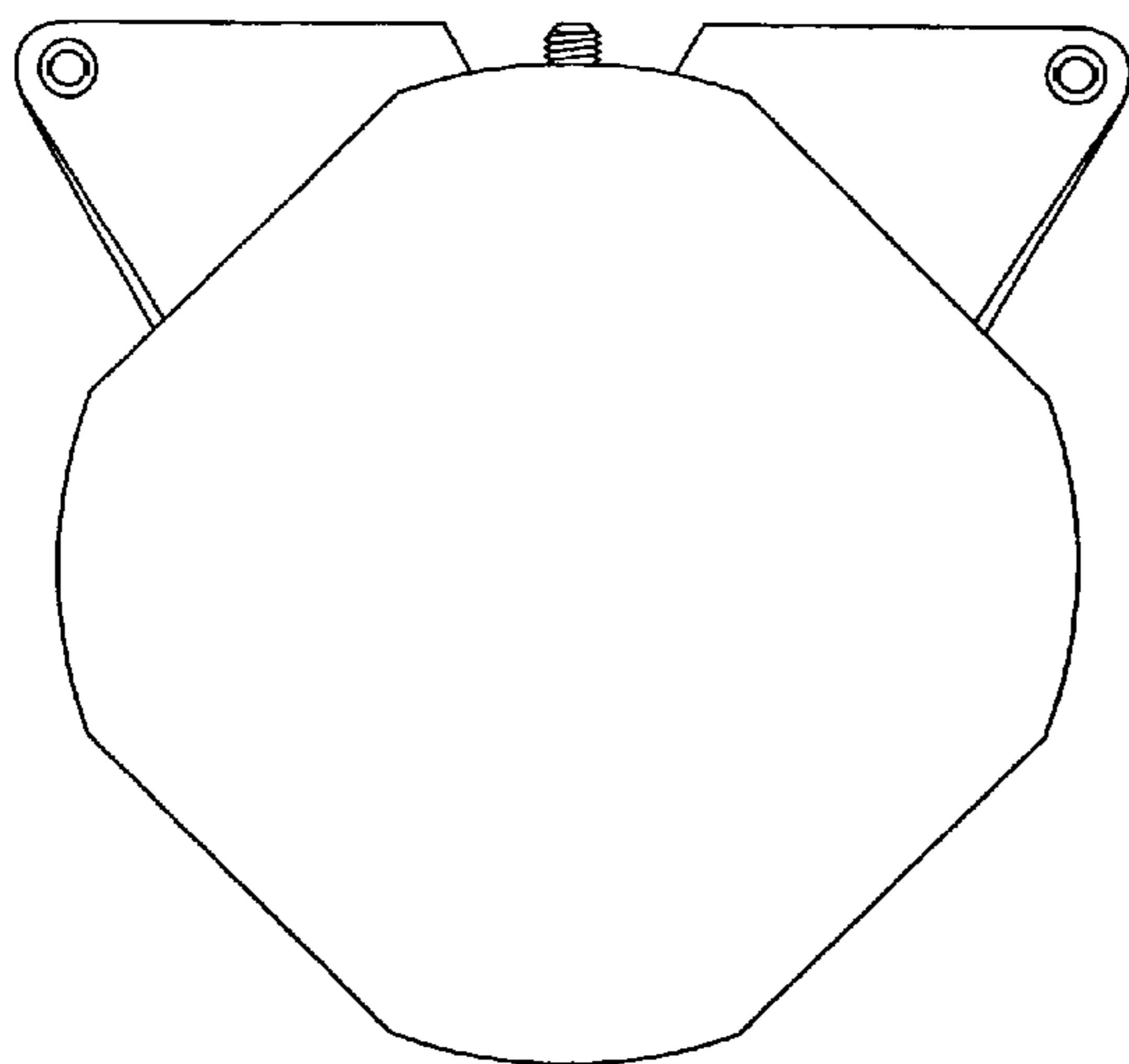


Fig. 1

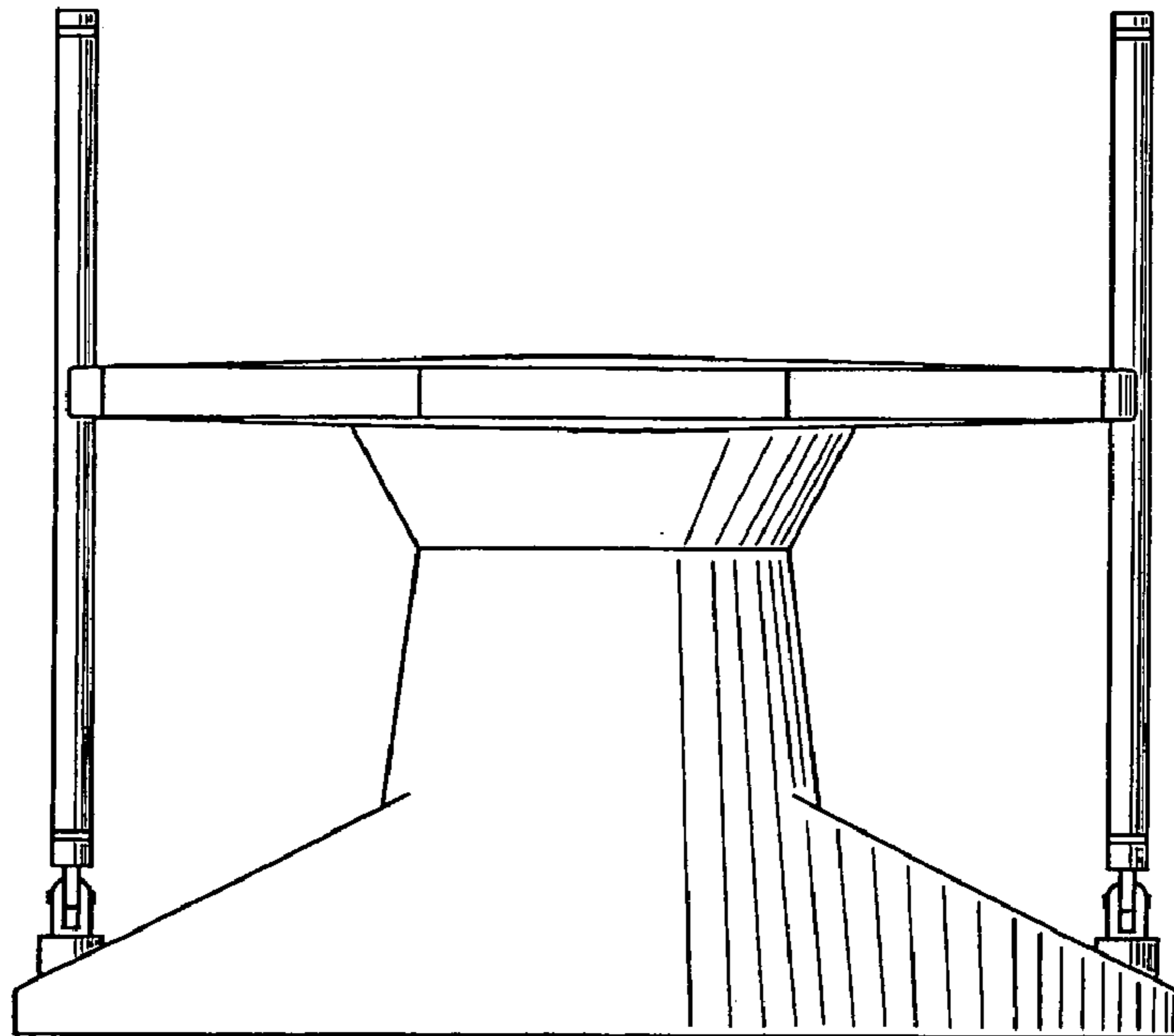


Fig. 2

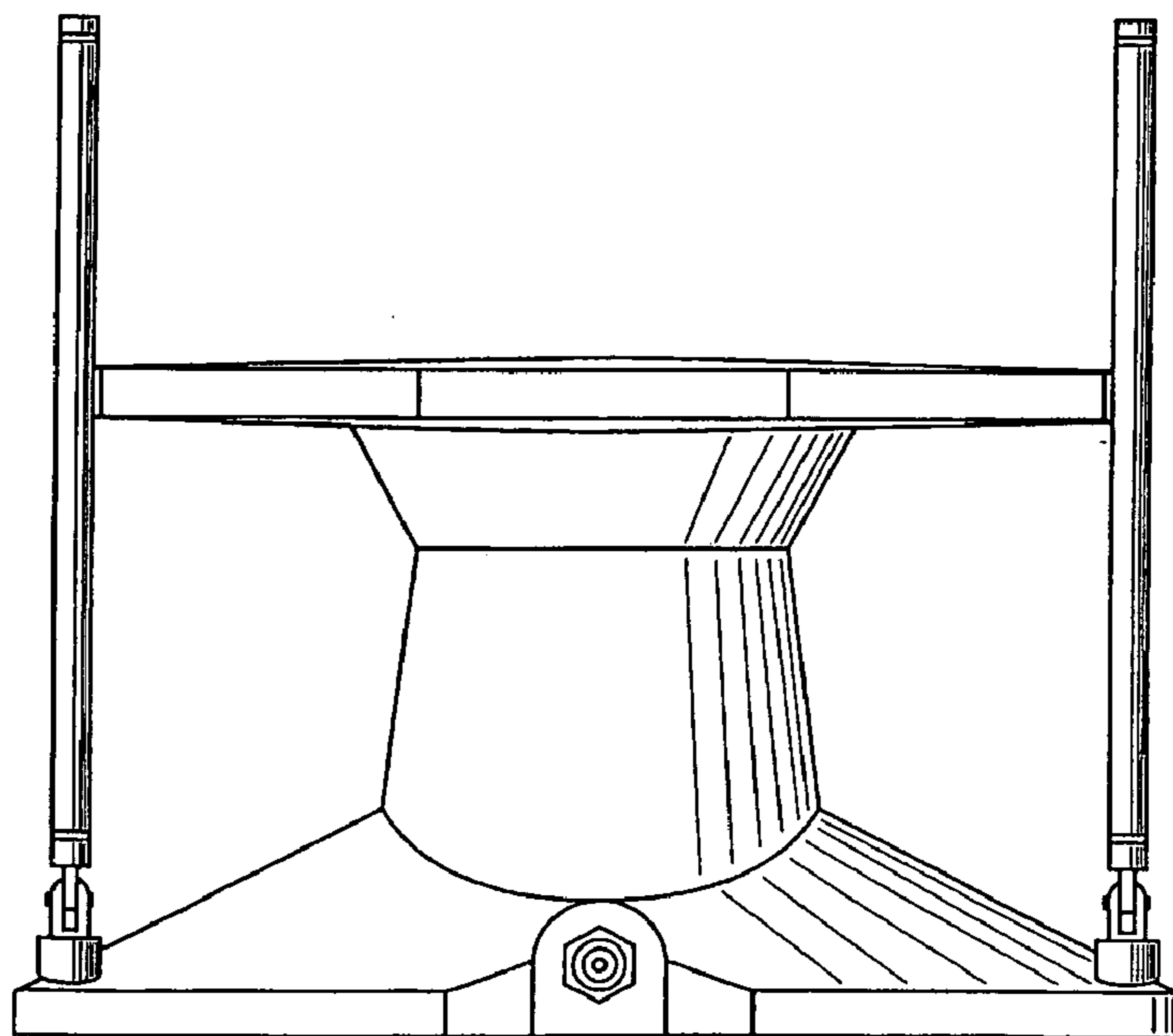


Fig. 3

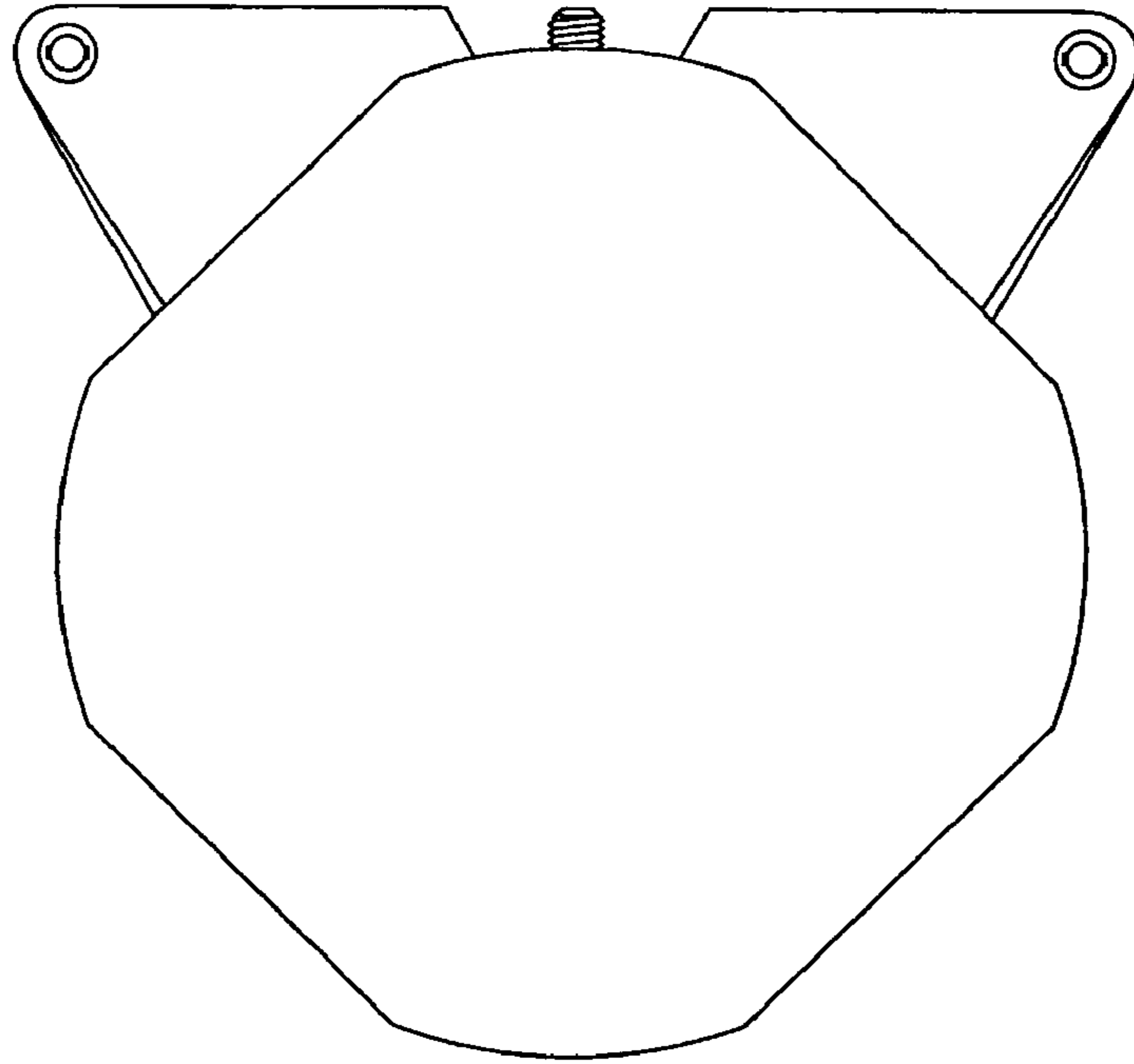


Fig. 4

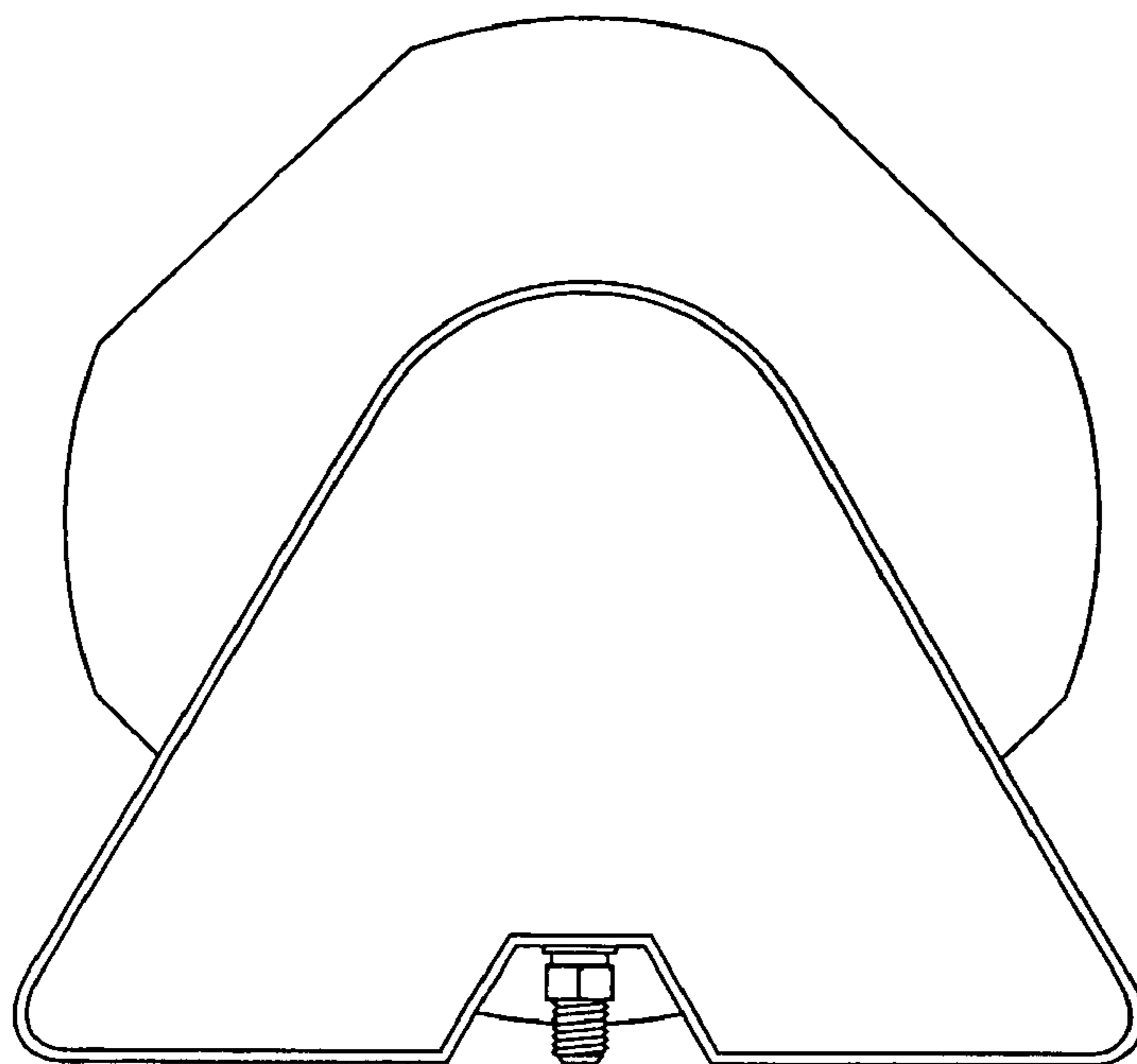


Fig. 5

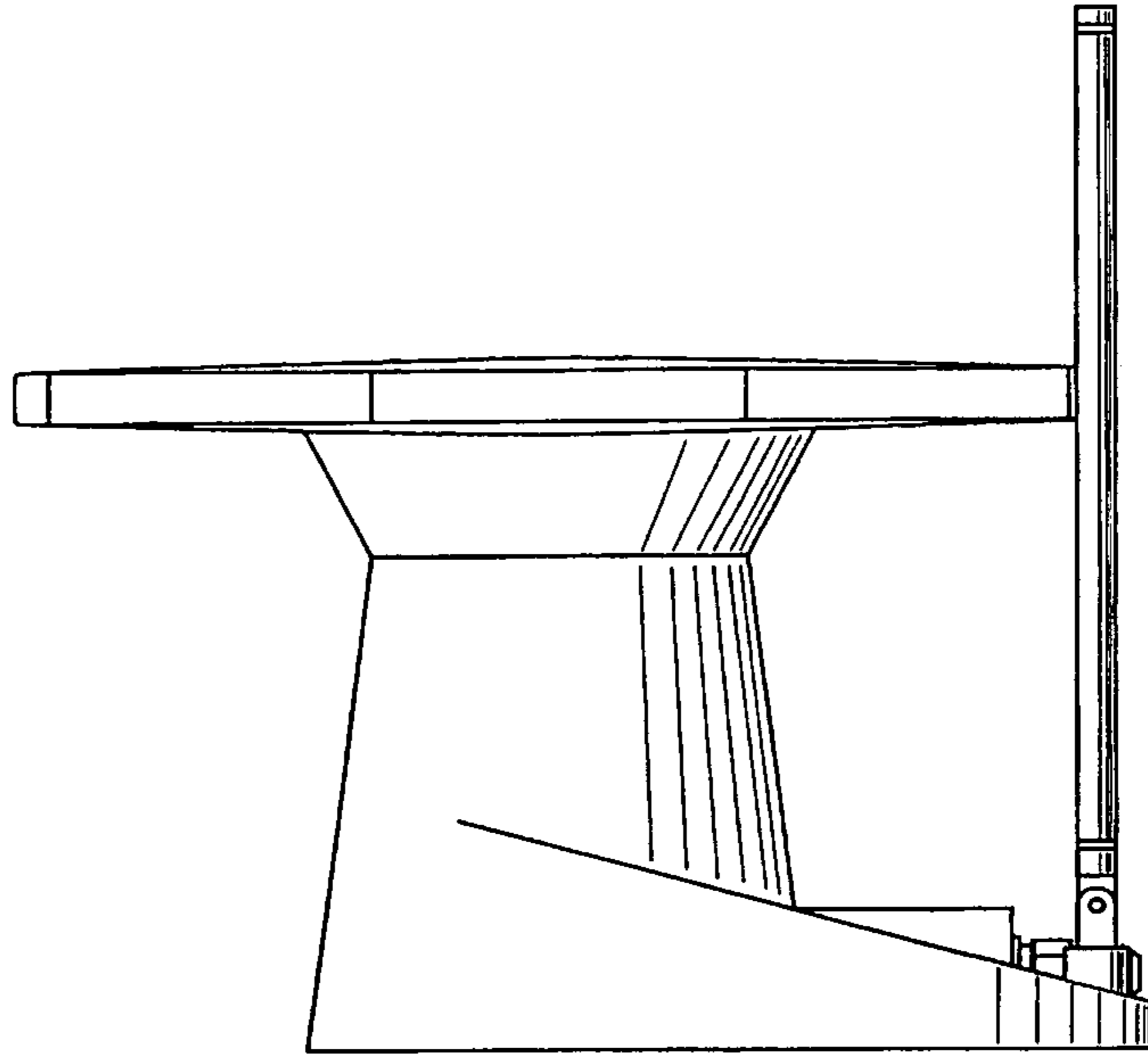


Fig. 6

