



US00D548729S

(12) **United States Design Patent**  
**Miller**

(10) **Patent No.:** **US D548,729 S**

(45) **Date of Patent:** **\*\* Aug. 14, 2007**

(54) **COMPLETELY WIRELESS HORN  
MICROPHONE**

(76) Inventor: **Readus Miller**, 7367 Overbrook Dr., St.  
Louis, MO (US) 63121

(\*\*) Term: **14 Years**

(21) Appl. No.: **29/262,137**

(22) Filed: **Jun. 27, 2006**

(51) **LOC (8) Cl.** ..... **14-01**

(52) **U.S. Cl.** ..... **D14/226; D14/229**

(58) **Field of Classification Search** ..... D14/225-229;  
D8/395; D16/242; D17/22, 99; D21/513;  
224/908; 248/126, 274.1; 379/430-431;  
381/355, 359, 361; 403/56, 329; 455/95,  
455/128

See application file for complete search history.

(56) **References Cited**

**U.S. PATENT DOCUMENTS**

- D247,707 S \* 4/1978 Armstrong ..... D14/228
- D253,468 S \* 11/1979 Peterson ..... D14/228
- D277,852 S \* 3/1985 Watson ..... D14/228
- D305,026 S \* 12/1989 Wolf ..... D14/229
- 4,910,795 A \* 3/1990 McCowen et al. .... 455/95
- D383,758 S \* 9/1997 Emerson et al. .... D14/228

- D408,436 S \* 4/1999 Lombardi ..... D17/22
- D411,220 S \* 6/1999 Surabian ..... D16/242
- D448,364 S \* 9/2001 Chung ..... D14/228
- 6,424,724 B1 \* 7/2002 Ming-Cheng ..... 381/361
- D504,678 S \* 5/2005 Ruhrig ..... D14/228

\* cited by examiner

*Primary Examiner*—Paula A. Greene

(74) *Attorney, Agent, or Firm*—Blumenfeld, Kaplan and Sandweiss, P.C.

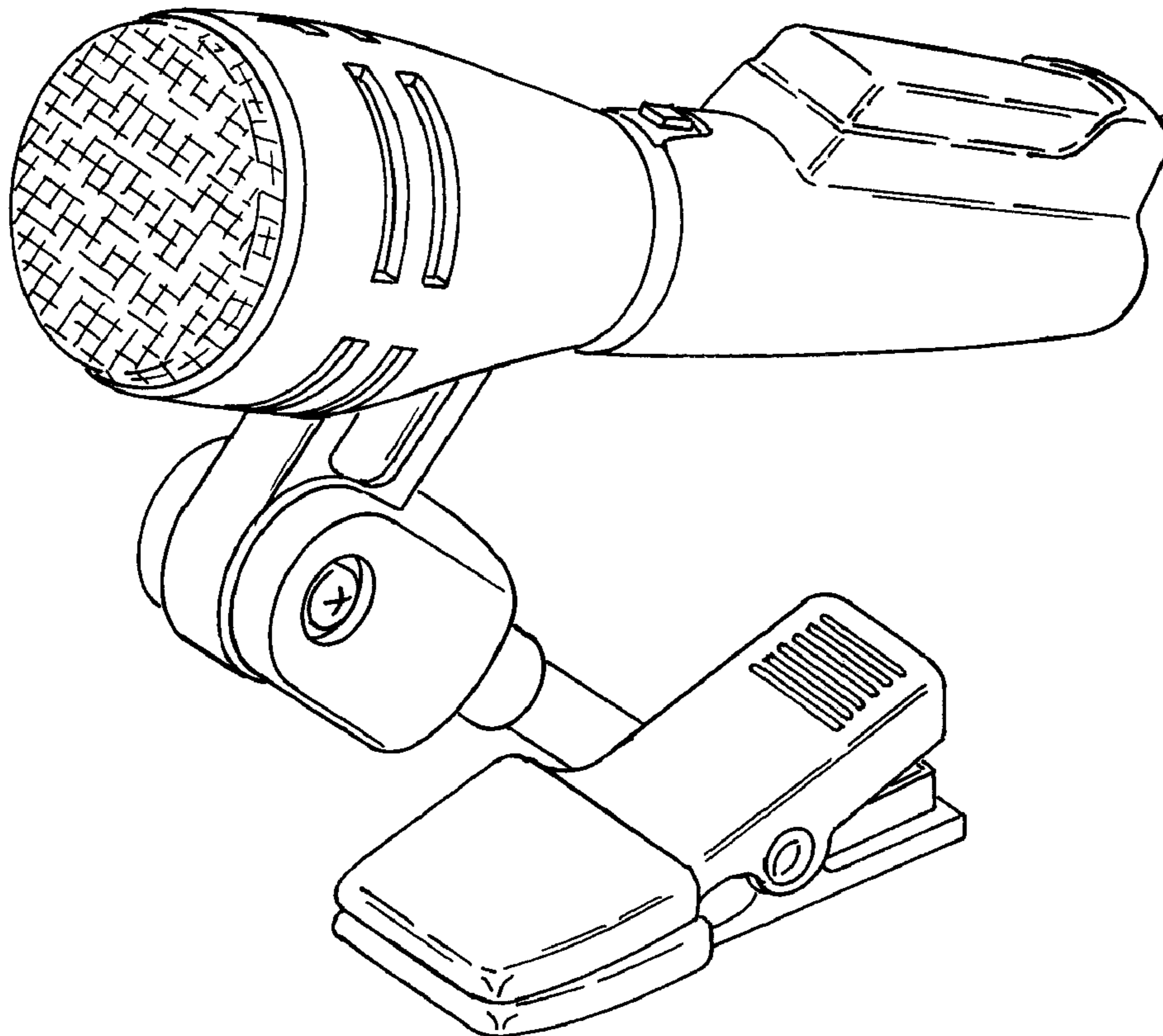
(57) **CLAIM**

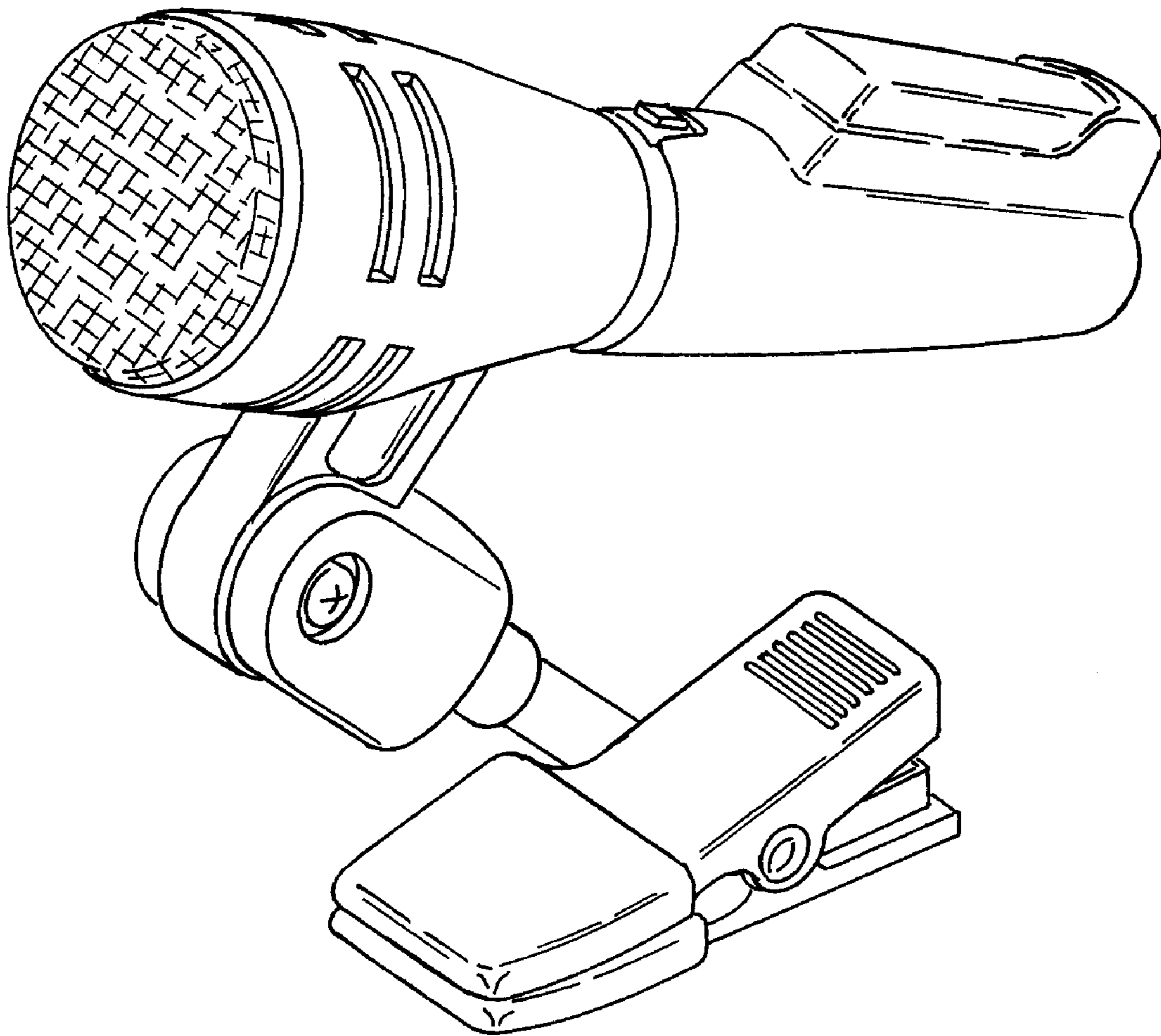
The ornamental design for a completely wireless horn microphone, substantially as shown and described.

**DESCRIPTION**

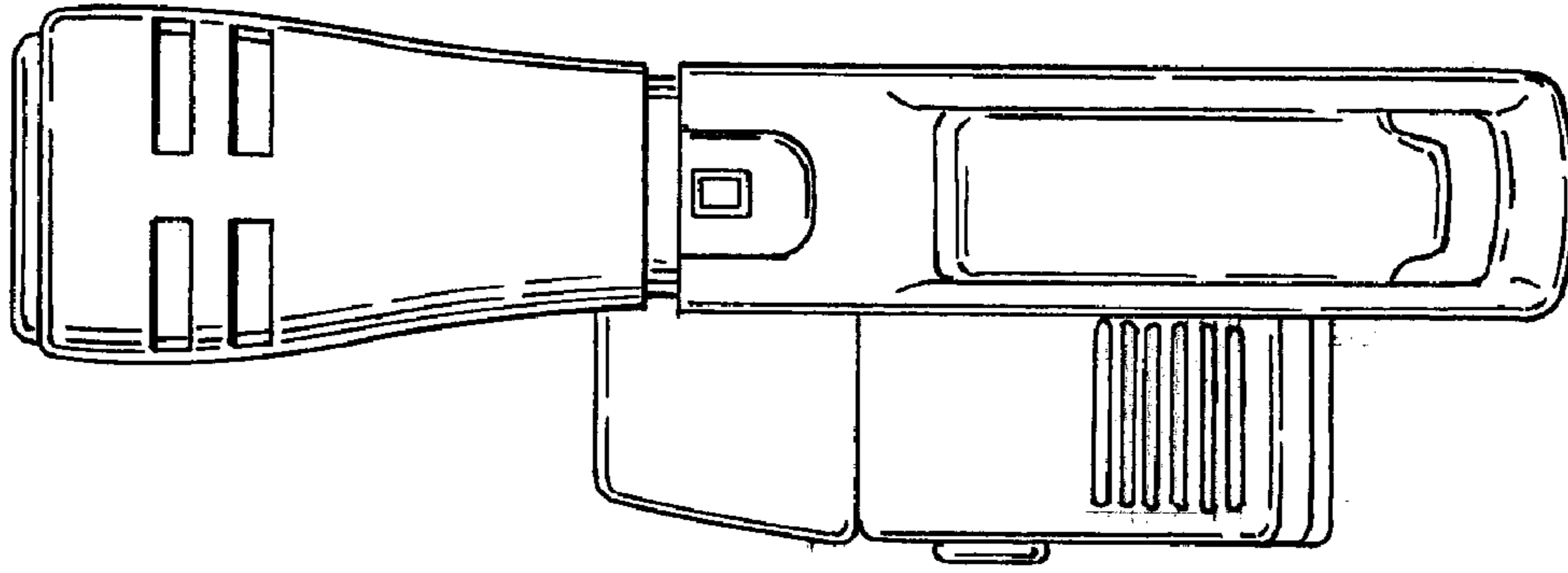
- FIG. 1 is a front perspective view of completely wireless horn microphone showing my new design;
- FIG. 2 is a left side elevational view thereof;
- FIG. 3 is a top plan view thereof;
- FIG. 4 is a front elevational view thereof;
- FIG. 5 is a bottom plan view thereof;
- FIG. 6 is a rear elevational view thereof; and,
- FIG. 7 is a right side elevational view thereof.

**1 Claim, 4 Drawing Sheets**

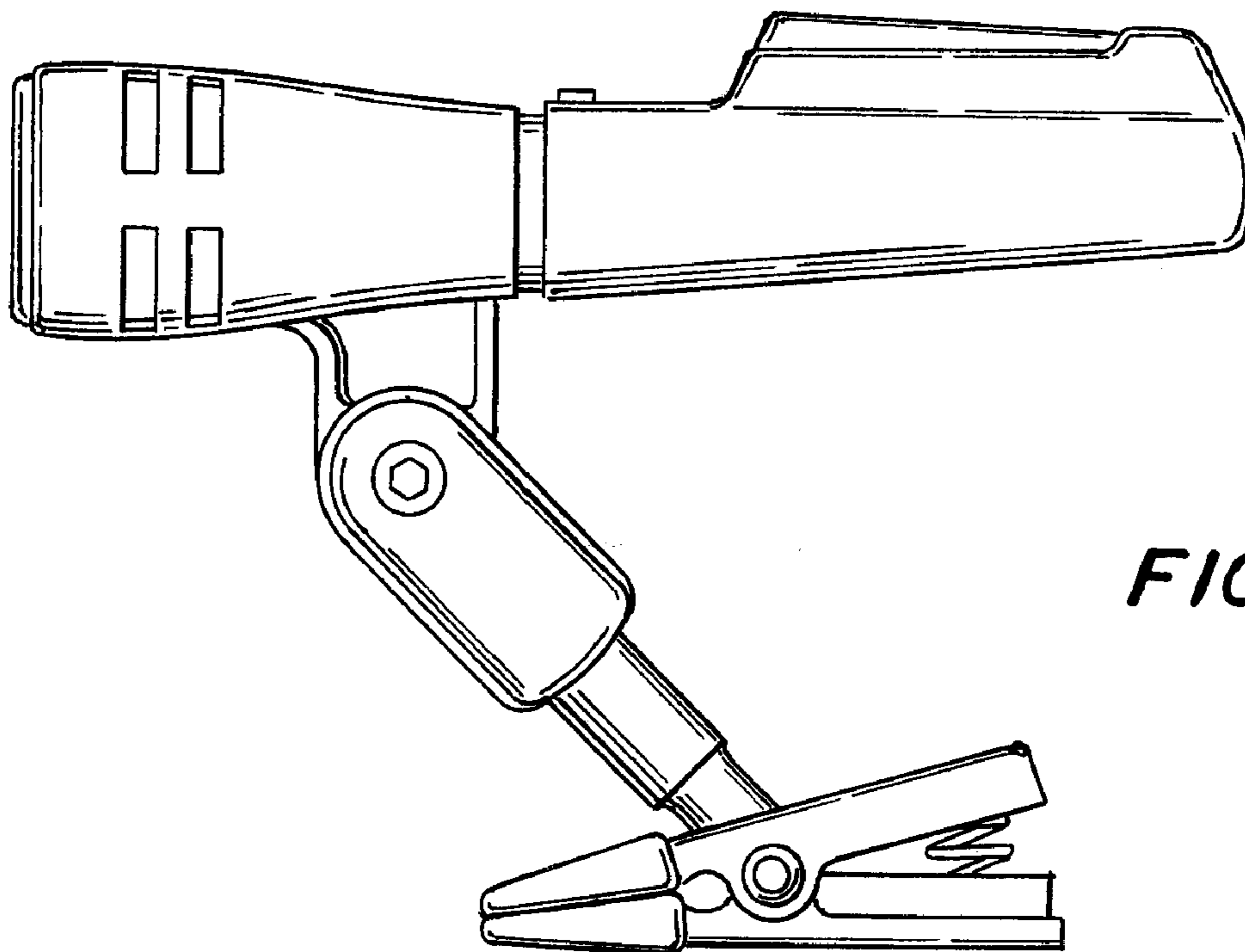




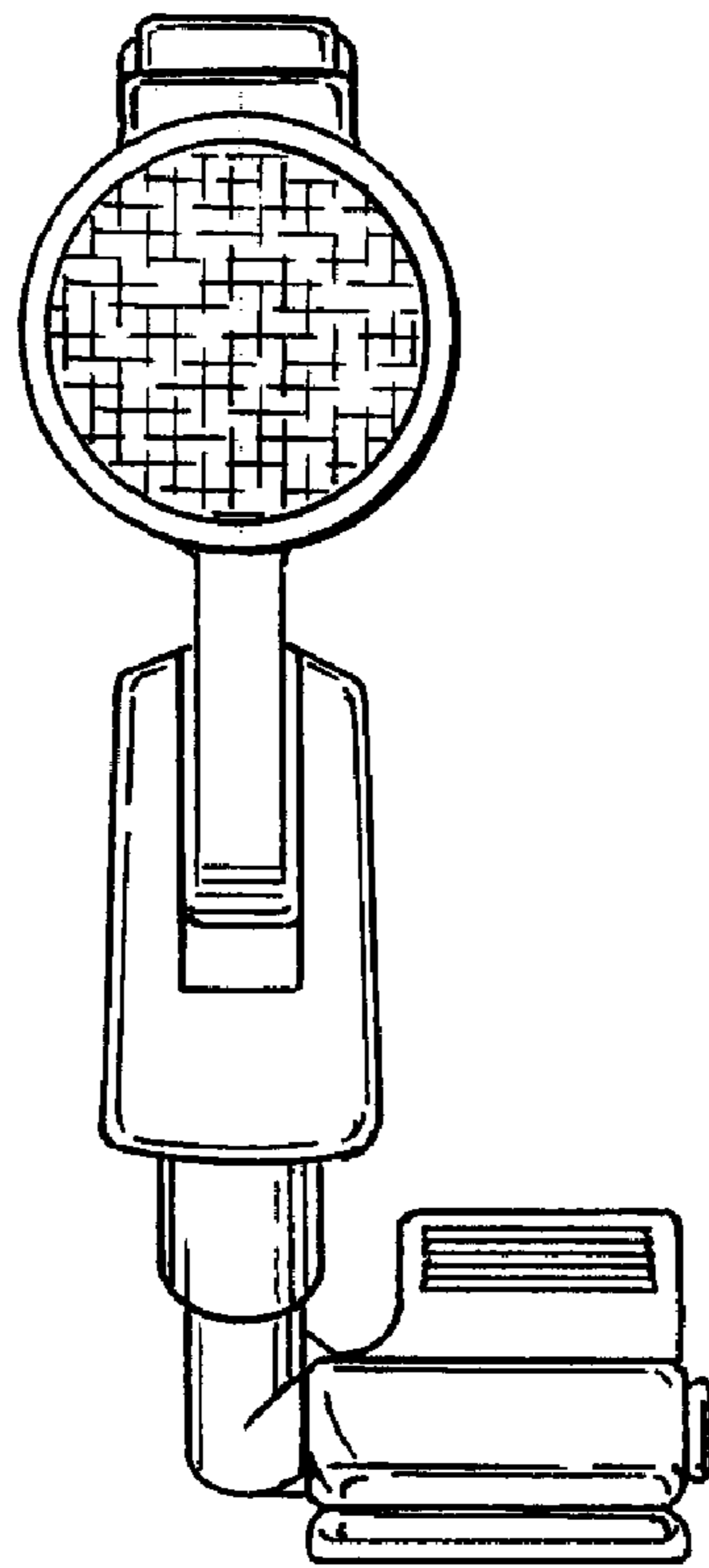
**FIG. 1**



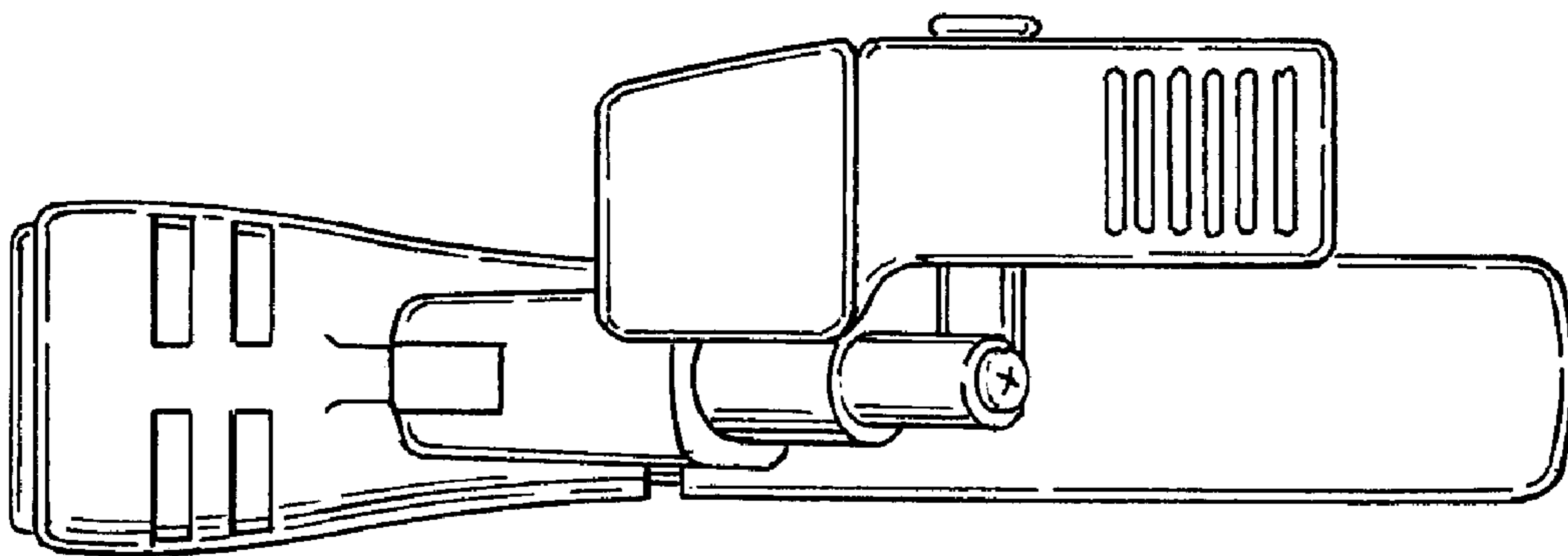
*FIG. 3*



*FIG. 2*

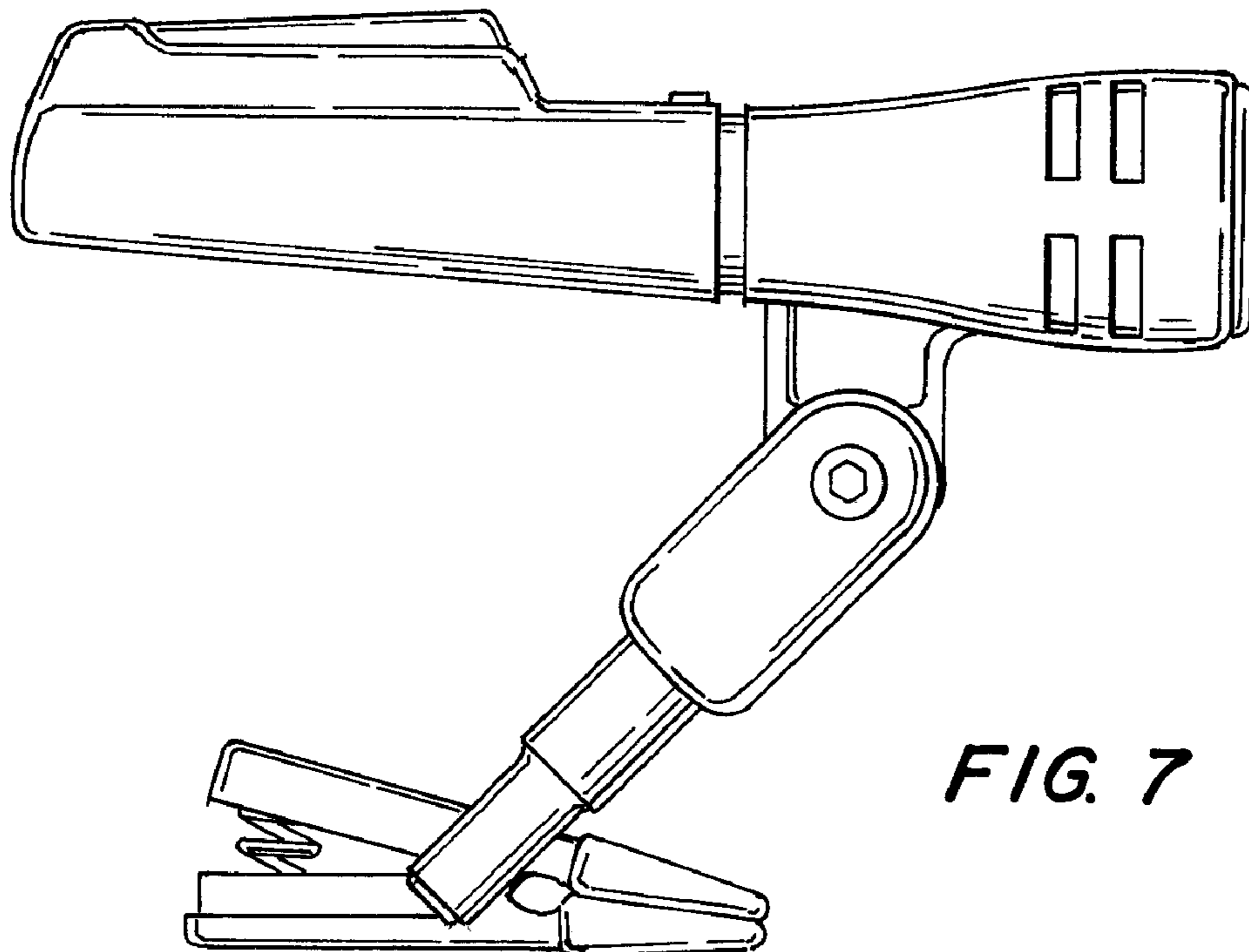
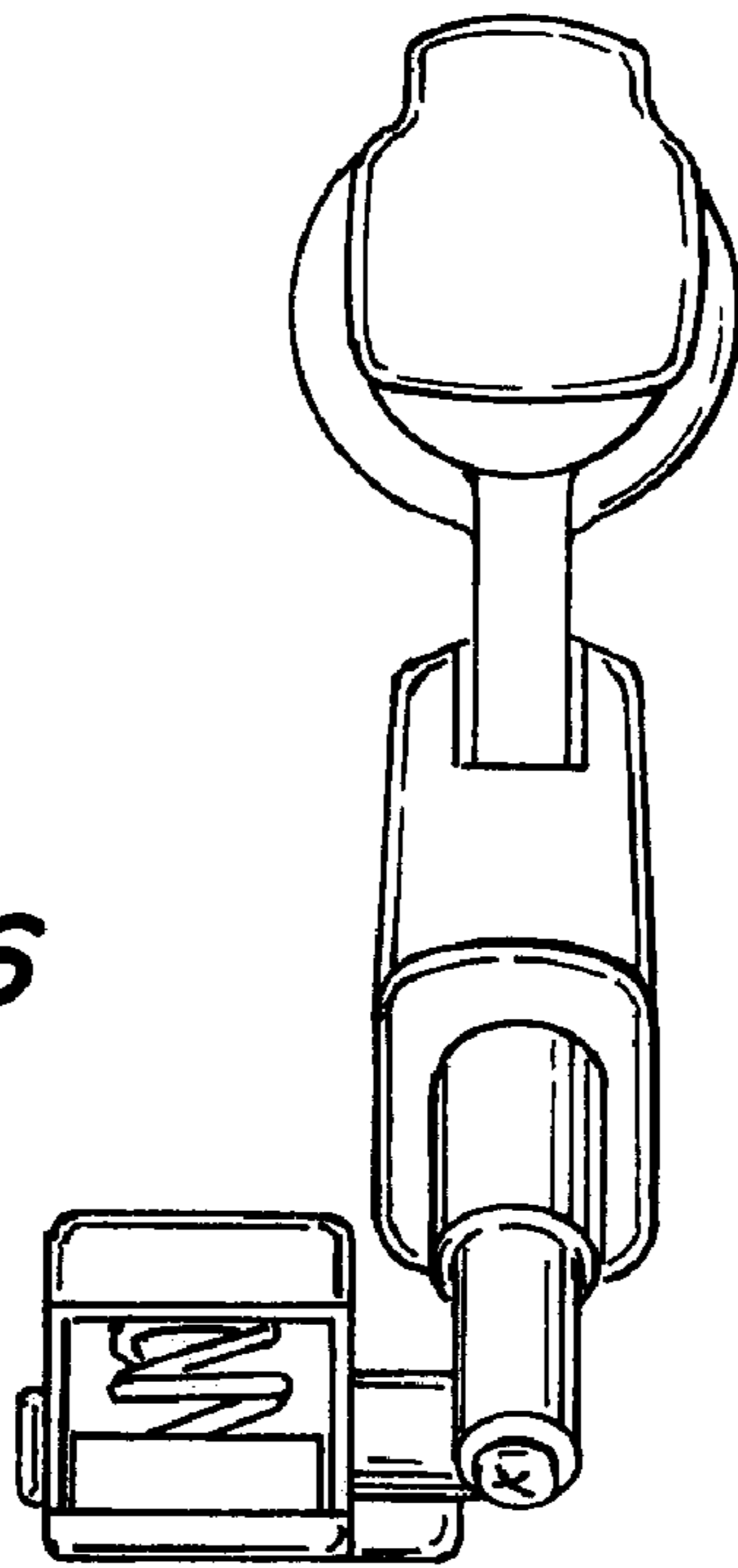


*FIG. 4*



*FIG. 5*

**FIG. 6**



**FIG. 7**