

US00D548726S

(12) **United States Design Patent** (10) **Patent No.:** **US D548,726 S**
Ng et al. (45) **Date of Patent:** **** Aug. 14, 2007**

(54) **LOUDSPEAKER DEVICE**

Primary Examiner—Nanda Bondade
(74) *Attorney, Agent, or Firm*—Lori Hughes

(75) Inventors: **Kar Choon Ng**, Singapore (SG); **Yuet Syn Joey Ng**, Singapore (SG)

(73) Assignee: **Creative Technology Ltd**, Singapore (SG)

(57) **CLAIM**

The ornamental design for a loudspeaker device, substantially as shown and described.

(**) Term: **14 Years**

(21) Appl. No.: **29/263,379**

DESCRIPTION

(22) Filed: **Jul. 21, 2006**

(51) **LOC (8) Cl.** **14-01**

FIG. 1 is a perspective view of a loudspeaker device in accordance with the present design;

(52) **U.S. Cl.** **D14/214; D14/215**

FIG. 2 is a front view of the loudspeaker device shown in FIG. 1;

(58) **Field of Classification Search** D14/204, D14/209–216; 181/143–144, 147–148, 150, 181/157, 198–199, 151, 153; 381/300–302, 381/306, 333, 345, 361–364, 386–388, 332, 381/336

FIG. 3 is a rear view of the loudspeaker device shown in FIG. 1;

See application file for complete search history.

FIG. 4 is a left side view of the loudspeaker device shown in FIG. 1;

(56) **References Cited**

FIG. 5 is a right side view of the loudspeaker device shown in FIG. 1;

U.S. PATENT DOCUMENTS

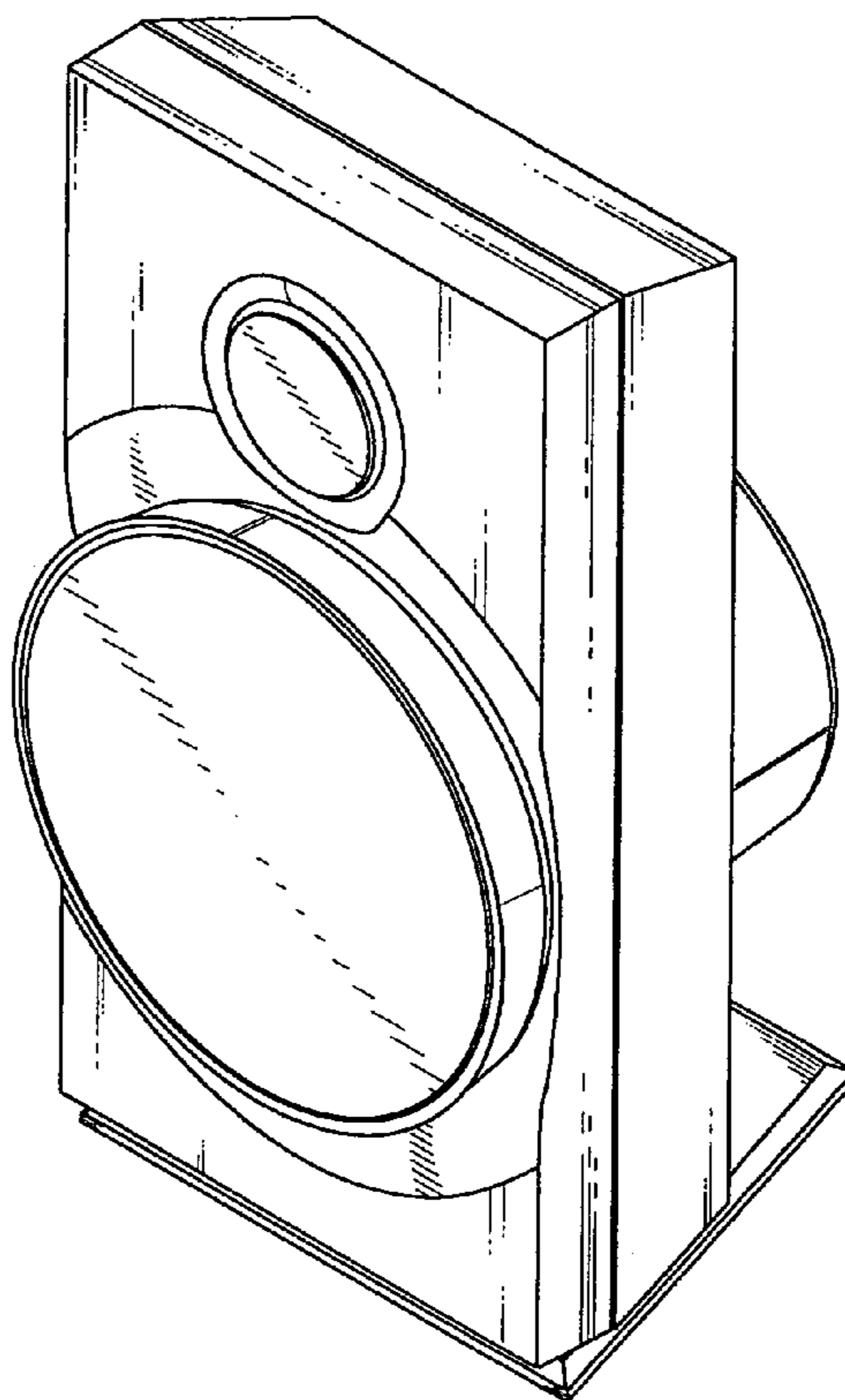
D317,008 S * 5/1991 Emmerling D14/210
D377,176 S * 1/1997 Ito et al. D14/215
D417,874 S * 12/1999 Suzuki D14/214
D510,339 S * 10/2005 Taylor D14/215

FIG. 6 is a top view of the loudspeaker device shown in FIG. 1; and,

FIG. 7 is bottom view of the loudspeaker device shown in FIG. 1.

* cited by examiner

1 Claim, 4 Drawing Sheets



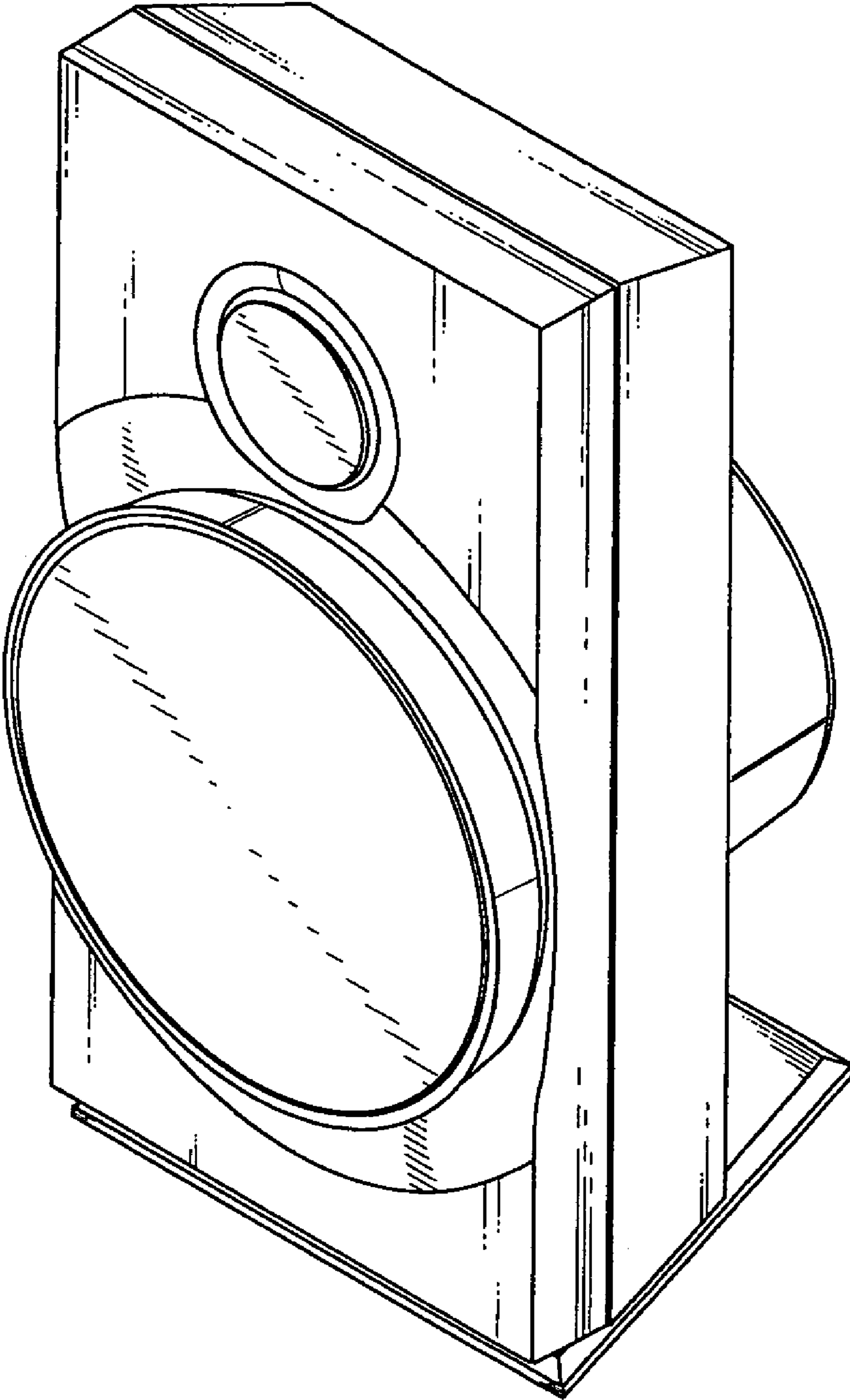


FIG. 1

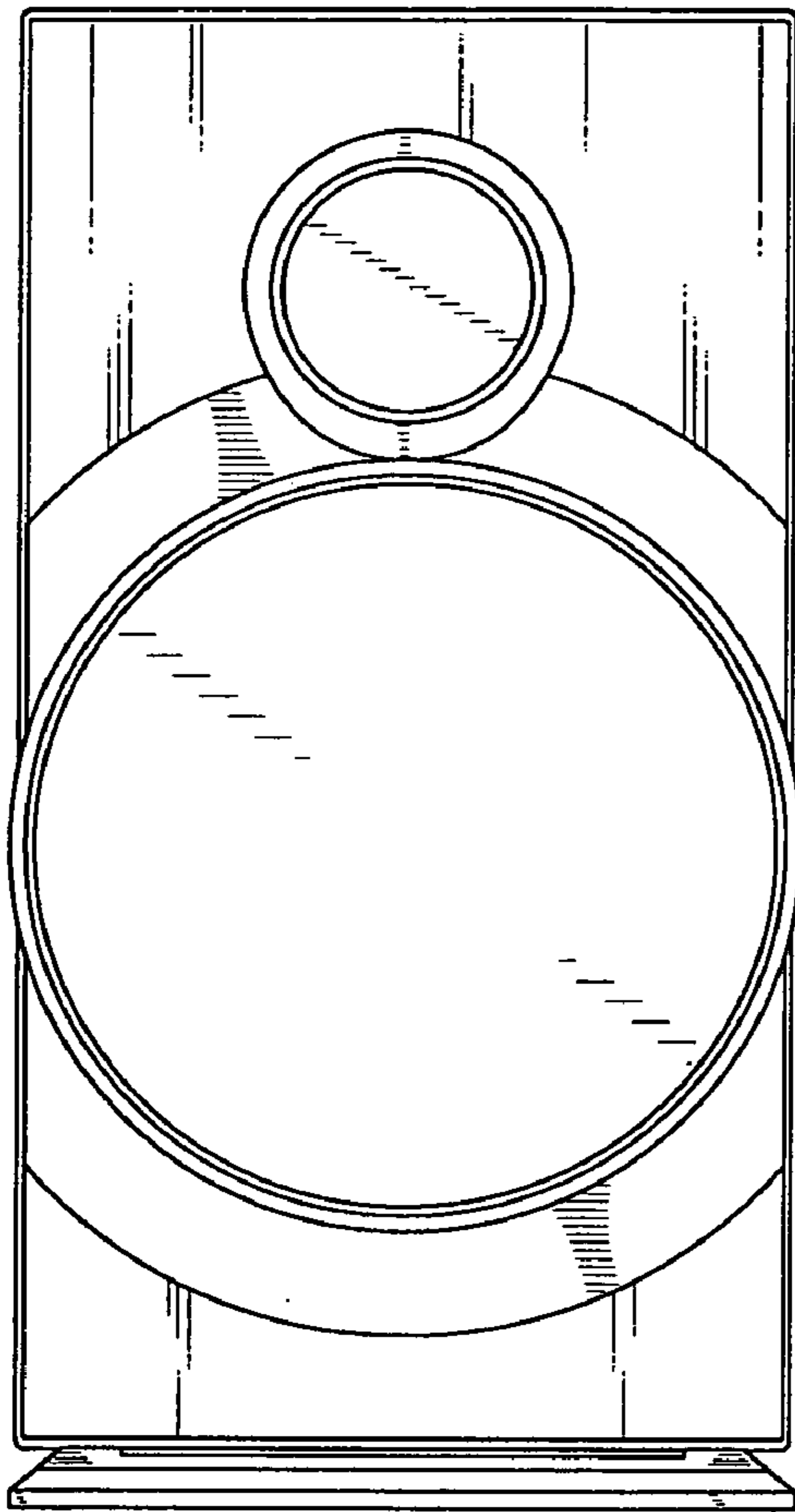


FIG. 2

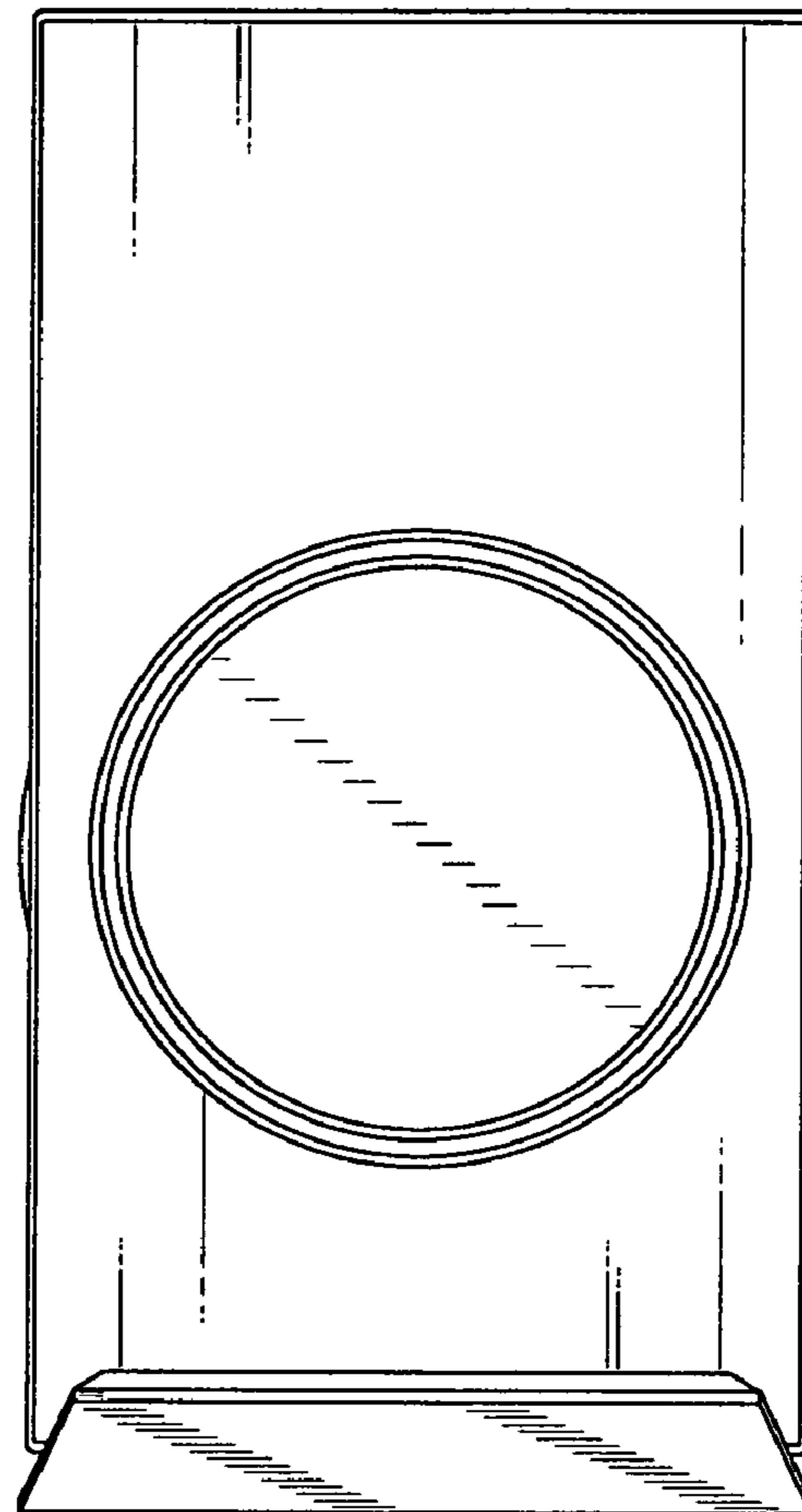


FIG. 3

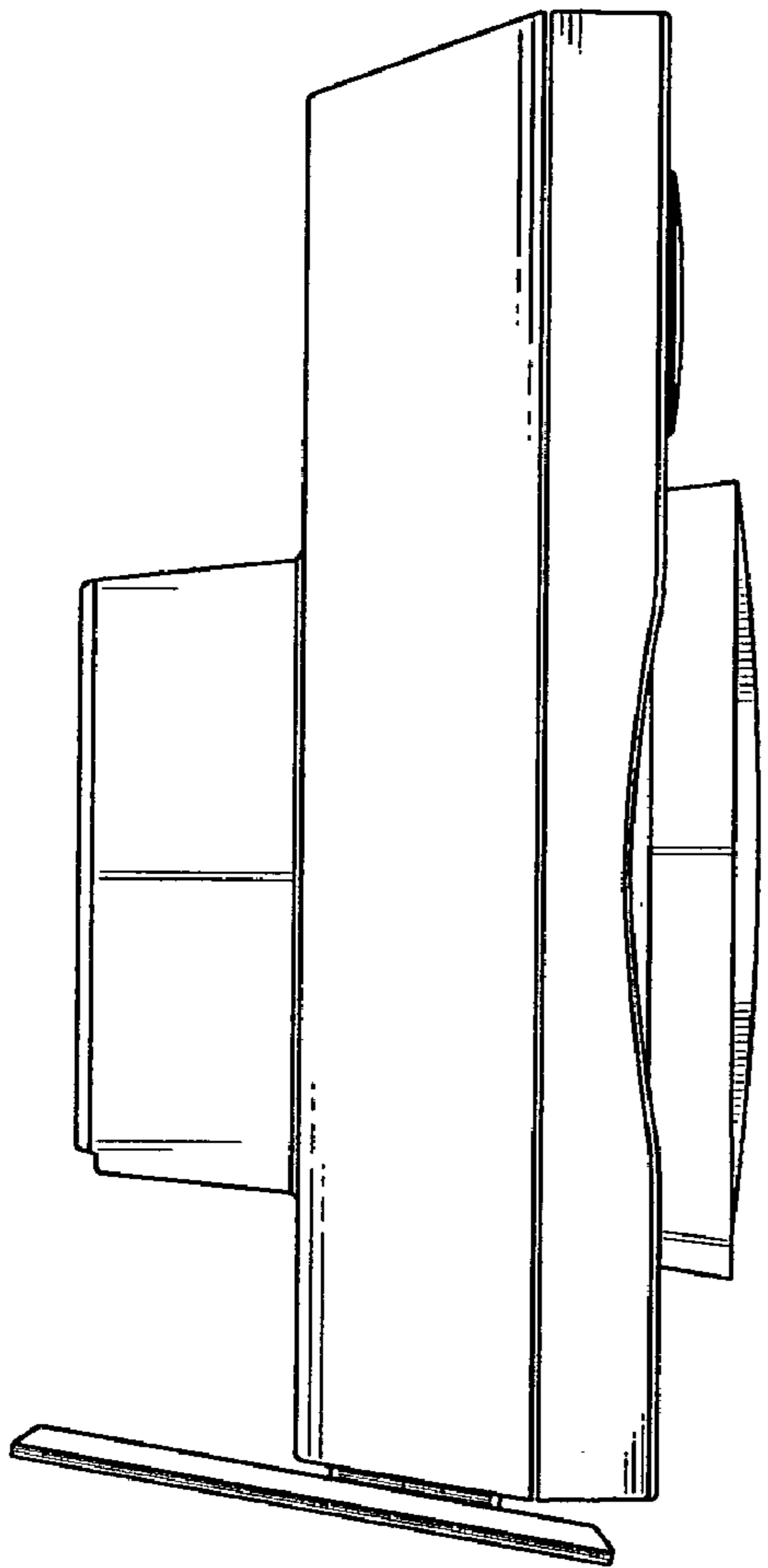


FIG. 4

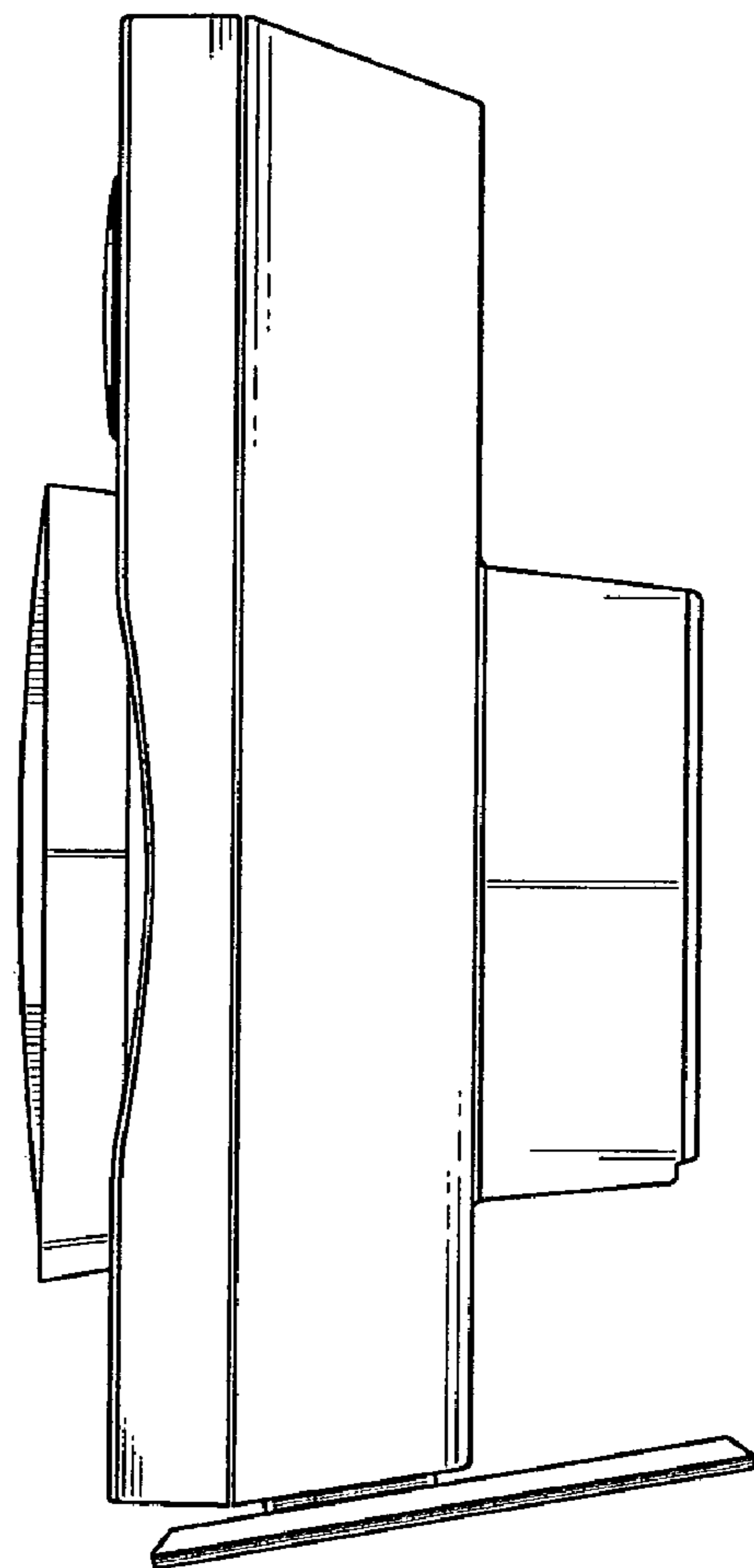


FIG. 5

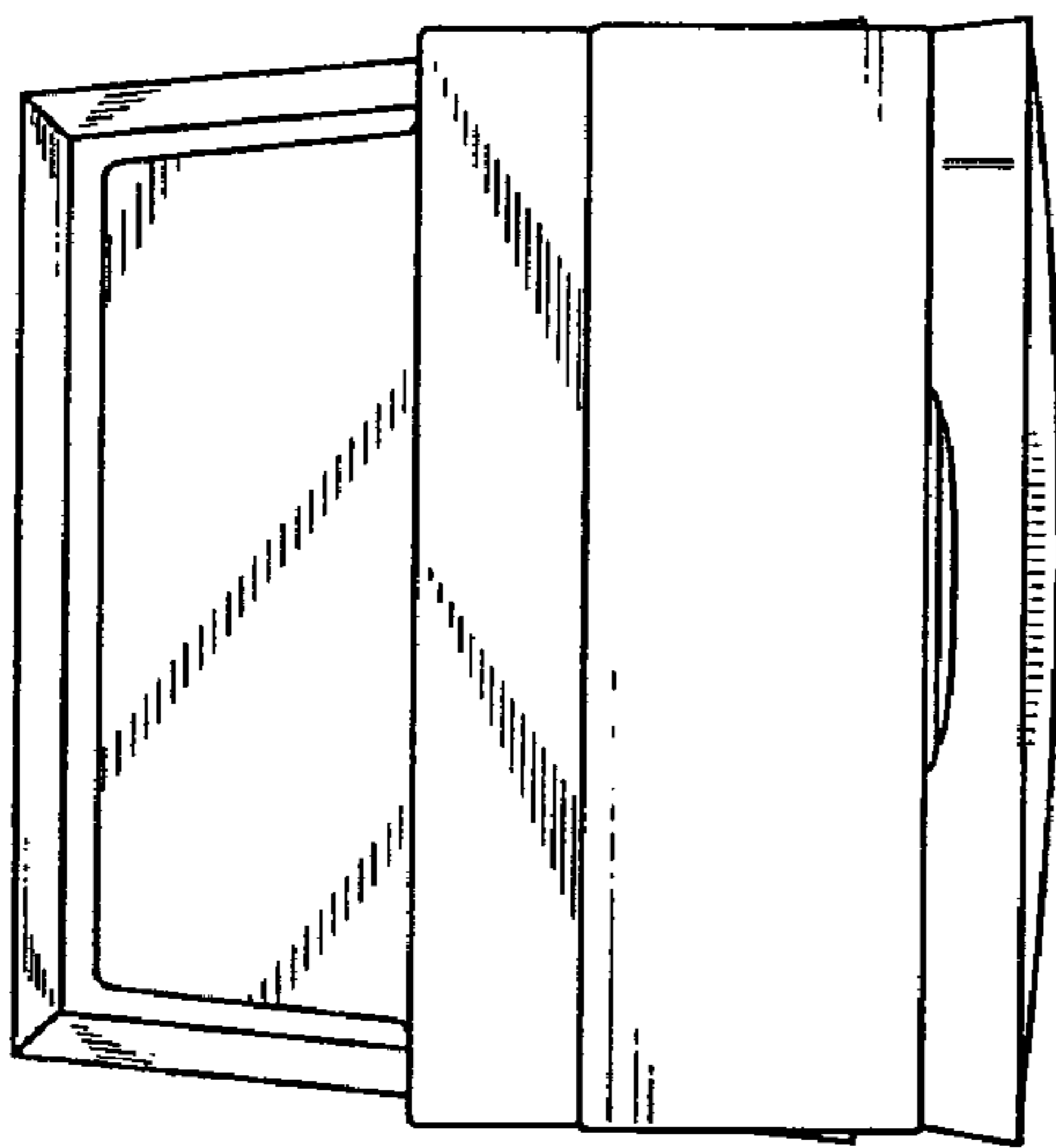


FIG. 6

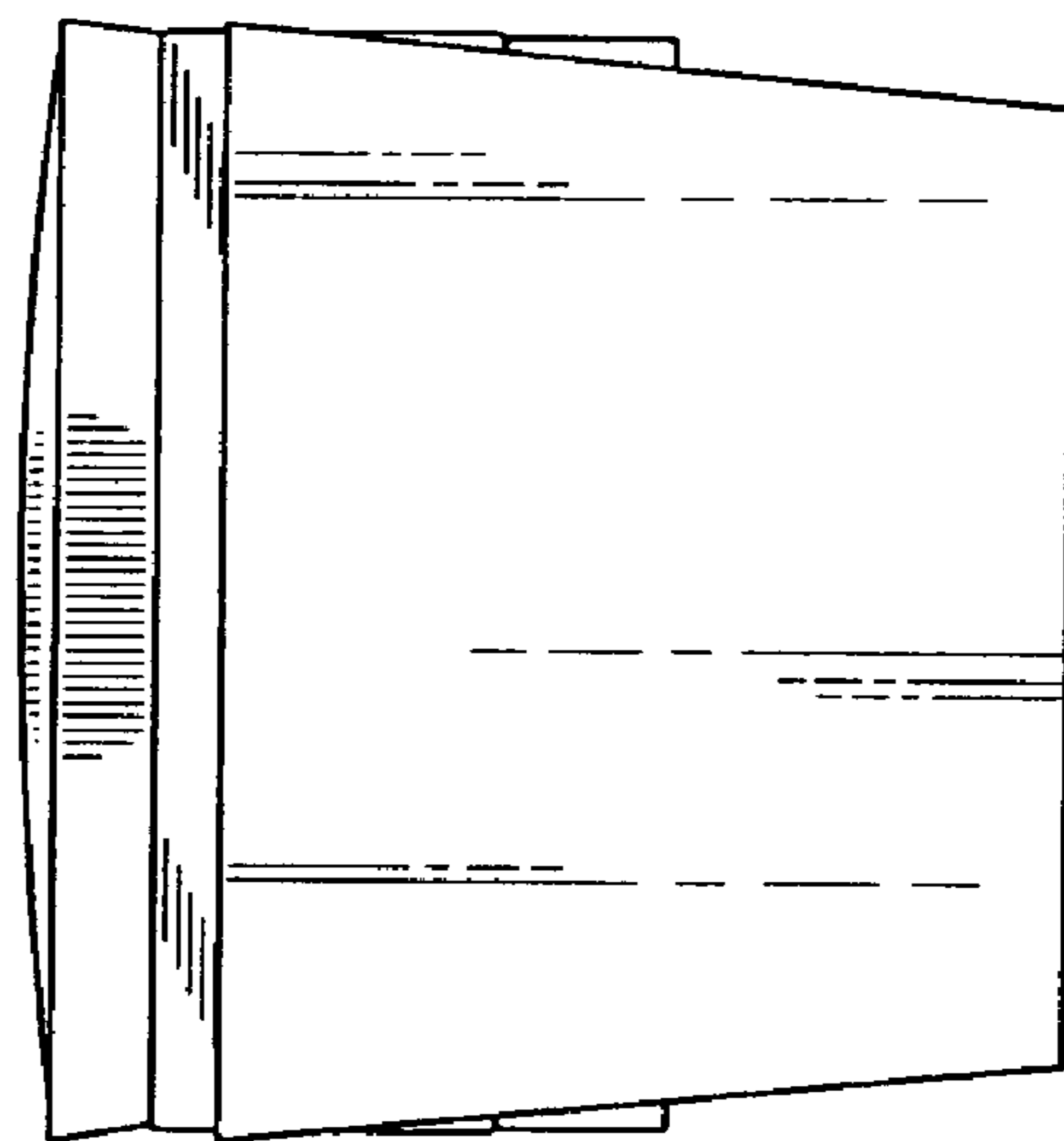


FIG. 7