

US00D548724S

(12) **United States Design Patent**  
**Hakoda**

(10) **Patent No.:** **US D548,724 S**

(45) **Date of Patent:** **\*\* Aug. 14, 2007**

(54) **SPEAKER BOX**

D508,480 S 8/2005 Oikawa  
D512,987 S 12/2005 Tsuge

(75) Inventor: **Katsuhisa Hakoda**, Tokyo (JP)

\* cited by examiner

(73) Assignee: **Sony Corporation**, Tokyo (JP)

*Primary Examiner*—Nanda Bondade  
(74) *Attorney, Agent, or Firm*—Rader, Fishman & Grauer  
PLLC

(\*\*) Term: **14 Years**

(21) Appl. No.: **29/255,406**

(57) **CLAIM**

(22) Filed: **Mar. 9, 2006**

The ornamental design for a speaker box, as shown.

(30) **Foreign Application Priority Data**

**DESCRIPTION**

Sep. 9, 2005 (JP) ..... D2005-026117

(51) **LOC (8) Cl.** ..... **14-01**

(52) **U.S. Cl.** ..... **D14/211**

(58) **Field of Classification Search** ..... D14/204,  
D14/207, 209–216, 172; 181/143–144, 147–148,  
181/150, 157, 198–199, 151, 153; 381/300–302,  
381/306, 333, 345, 361–364, 386–388, 332,  
381/336

See application file for complete search history.

FIG. 1 is a perspective view of an embodiment of a speaker box showing my new design;  
FIG. 2 is a front elevational view thereof;  
FIG. 3 is a rear elevational view thereof;  
FIG. 4 is a left side elevational view thereof;  
FIG. 5 is a right side elevational view thereof;  
FIG. 6 is a top plan view thereof;  
FIG. 7 is a bottom plan view thereof;  
FIG. 8 is a perspective view of another embodiment of a speaker box showing my new design;  
FIG. 9 is a front elevational view thereof;  
FIG. 10 is a rear elevational view thereof;  
FIG. 11 is a left side elevational view thereof;  
FIG. 12 is a right side elevational view thereof;  
FIG. 13 is a top plan view thereof; and,  
FIG. 14 is a bottom plan view thereof.

(56) **References Cited**

**U.S. PATENT DOCUMENTS**

D319,242 S \* 8/1991 Furuno ..... D14/204  
5,802,190 A \* 9/1998 Ferren ..... 381/182  
D457,875 S \* 5/2002 Joe ..... D14/211  
D492,281 S 6/2004 Hakoda  
D503,168 S 3/2005 Hisatsune

**1 Claim, 14 Drawing Sheets**

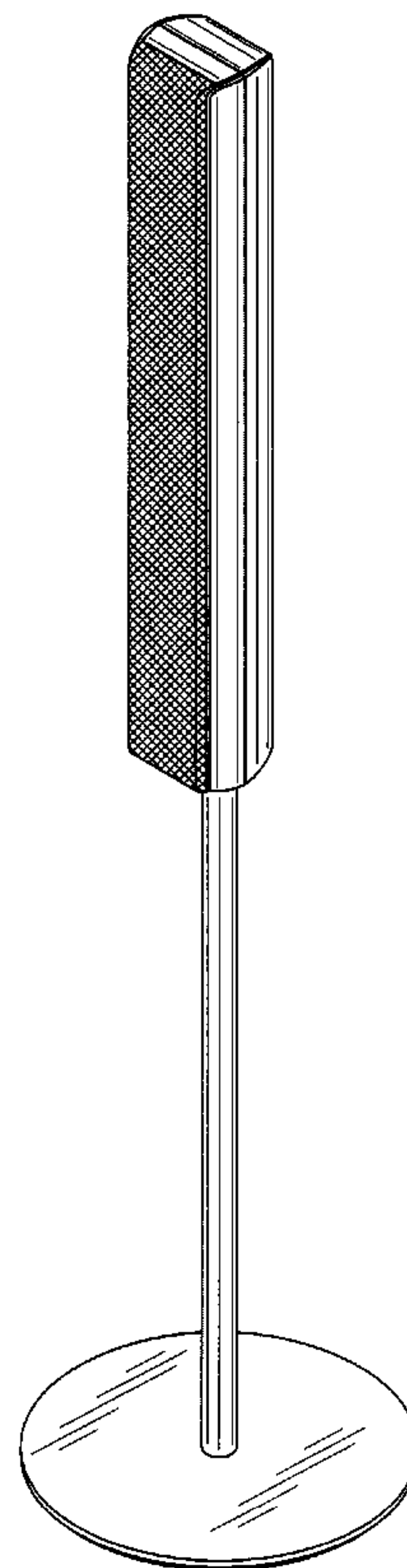
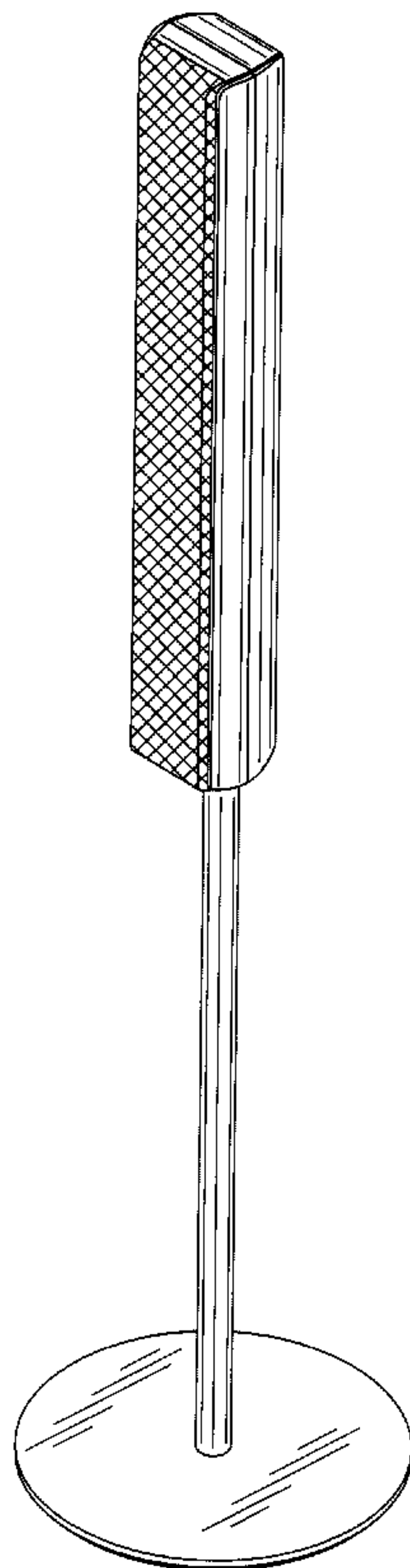


Fig. 1

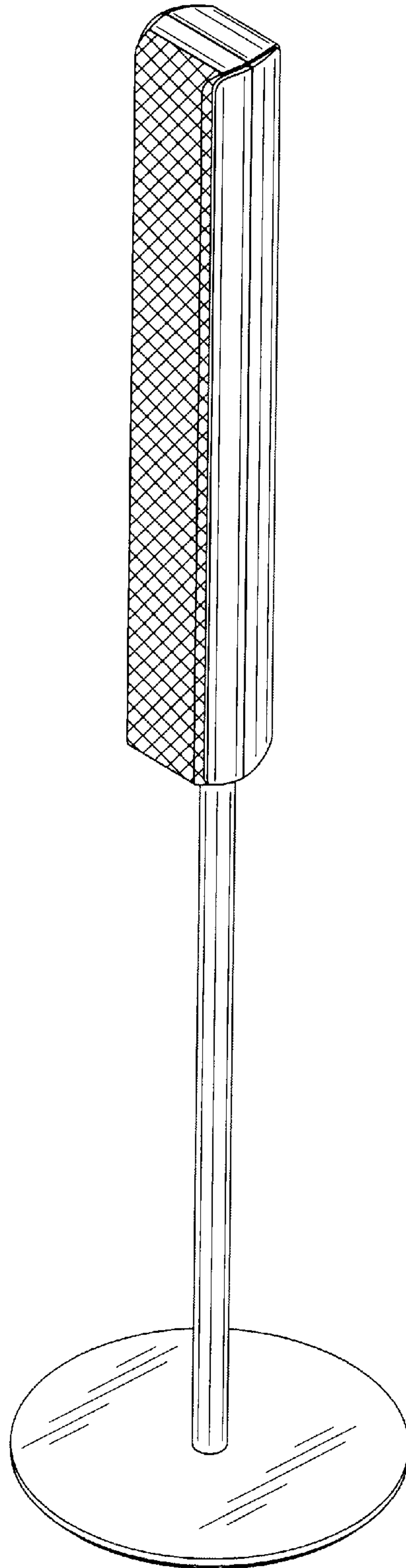


Fig.2

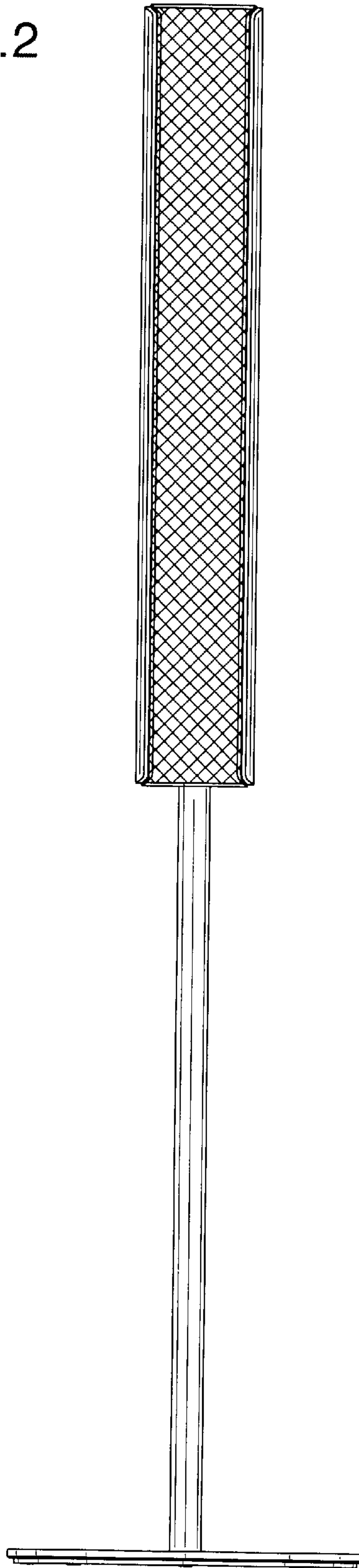


Fig.3

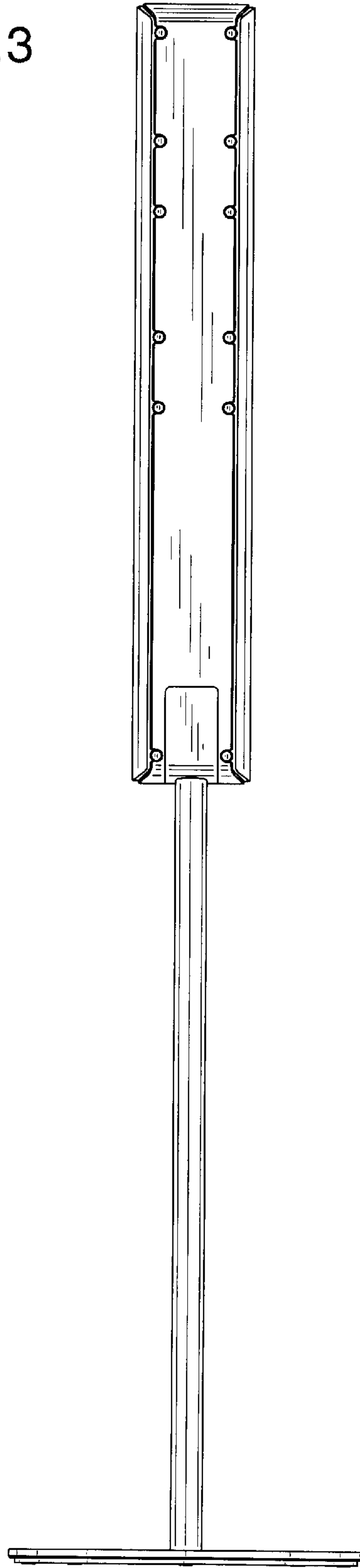


Fig.4

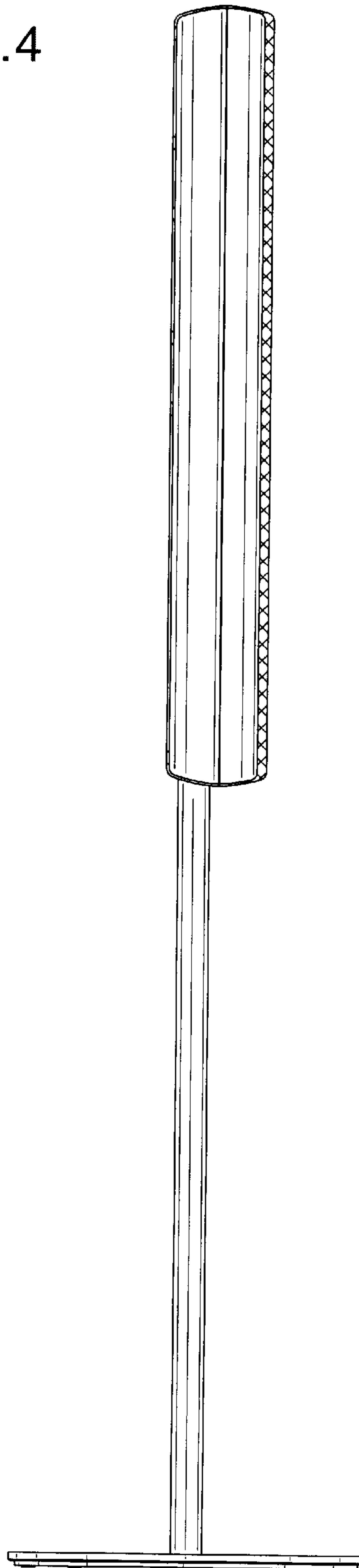


Fig.5

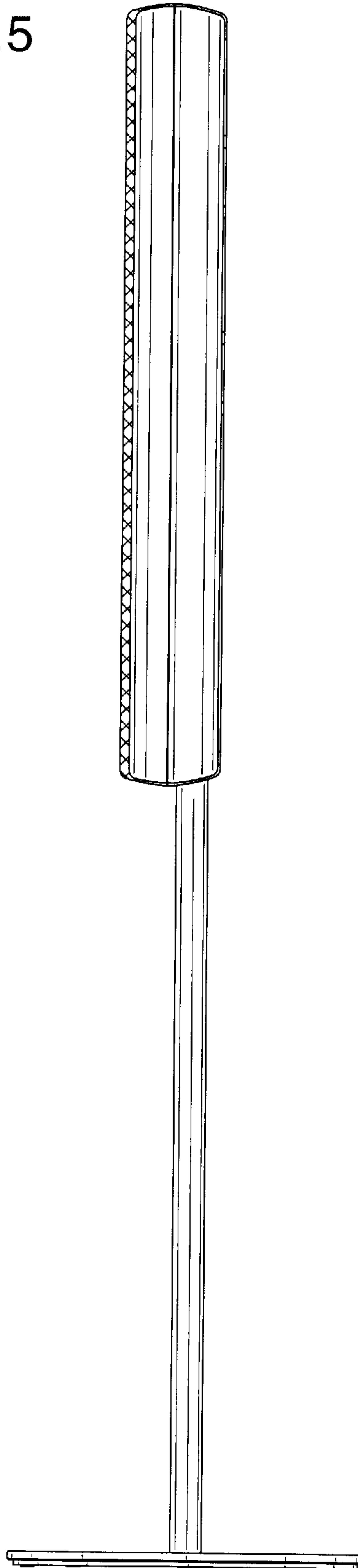


Fig.6

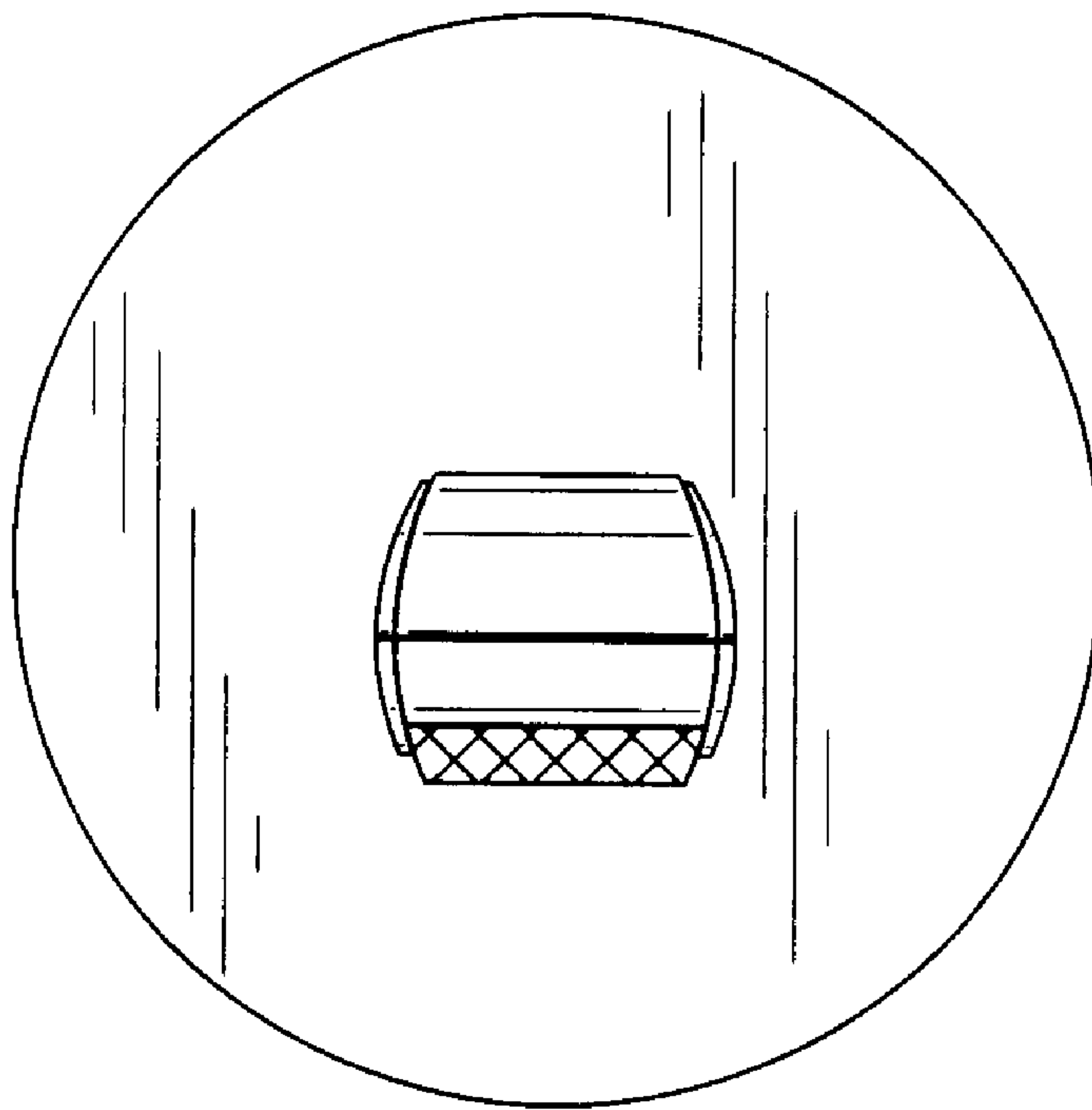


Fig.7

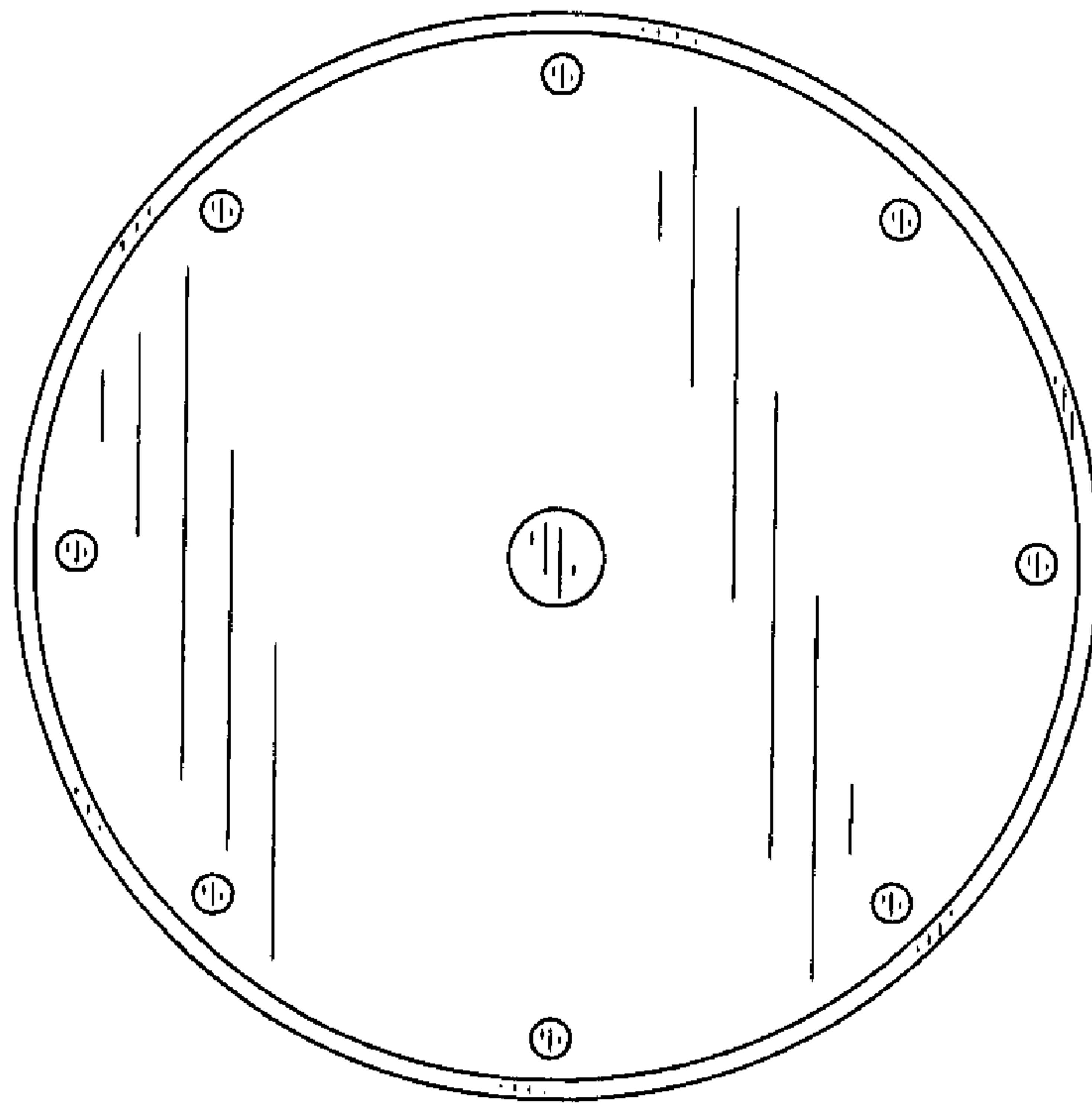




Fig.8

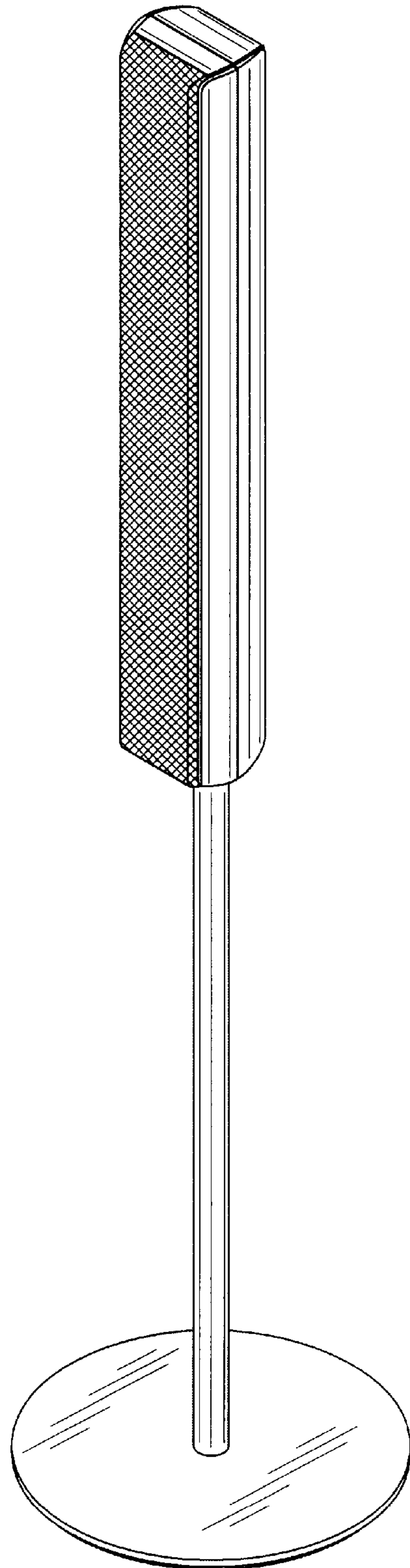


Fig.9

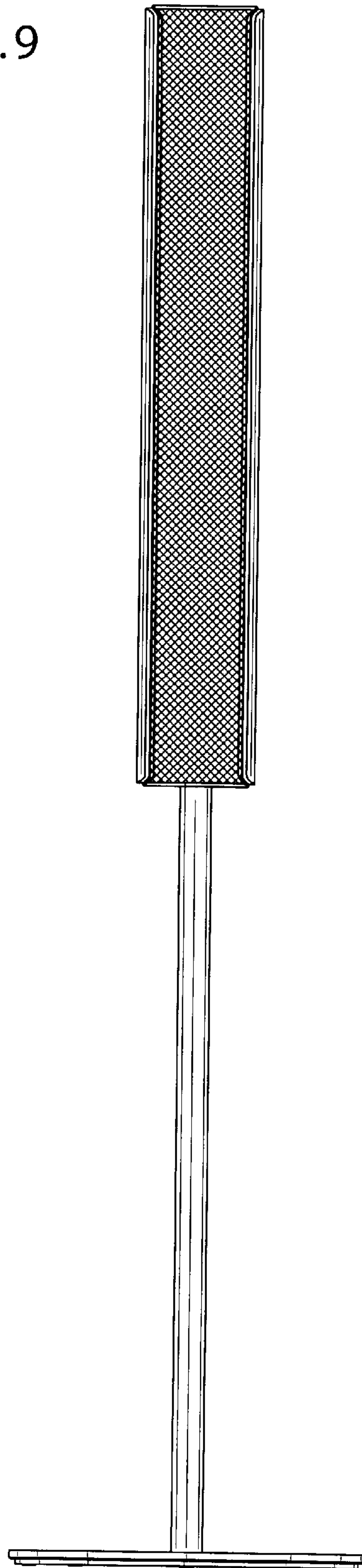


Fig. 10

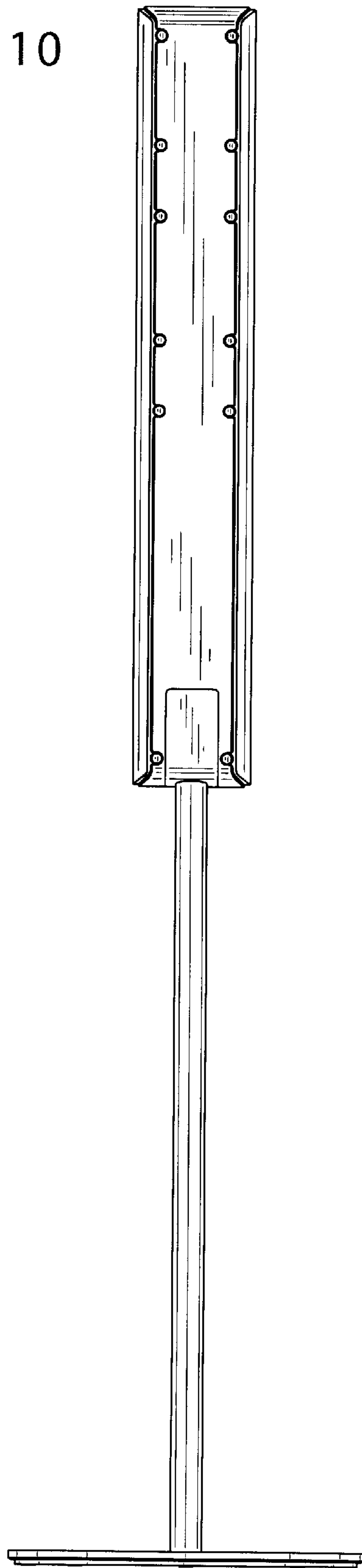


Fig. 11

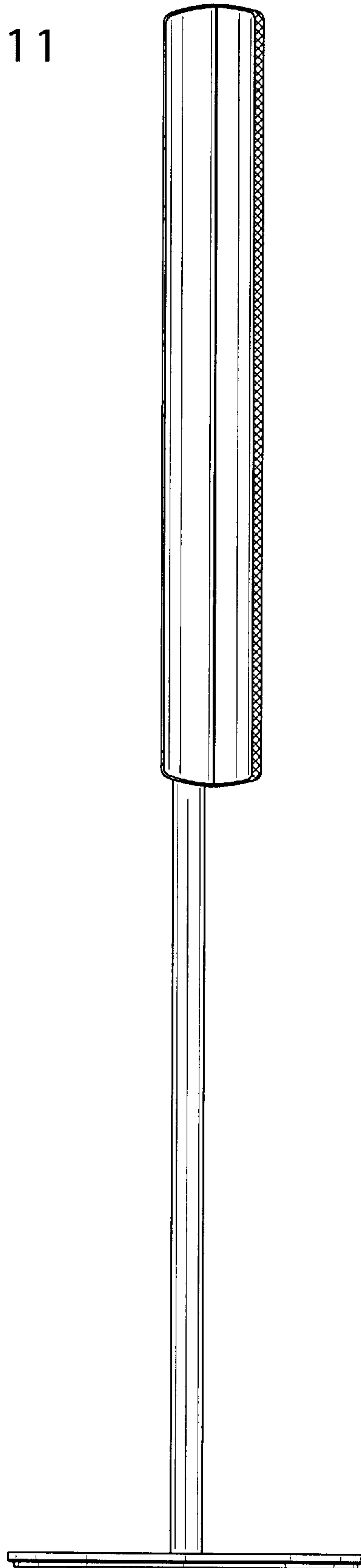


Fig.12

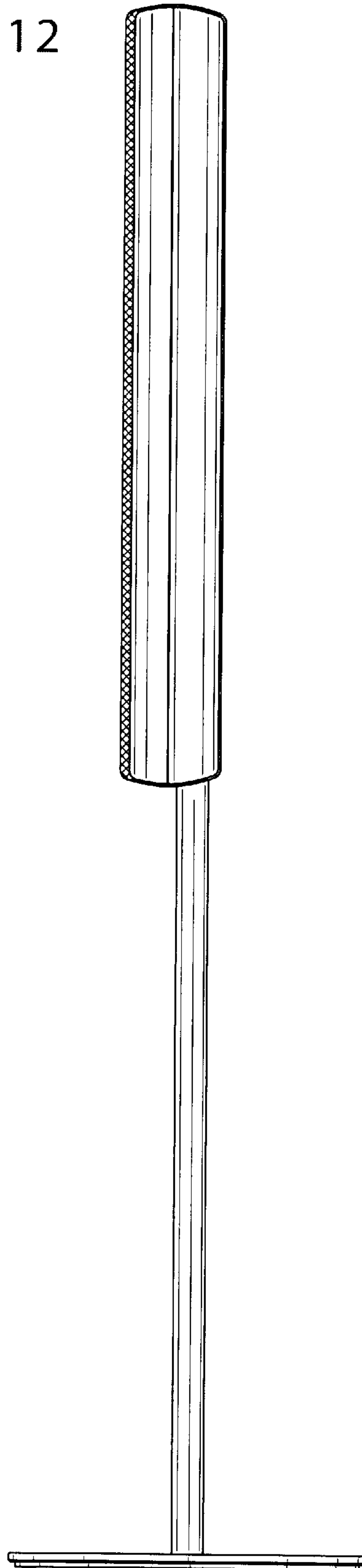
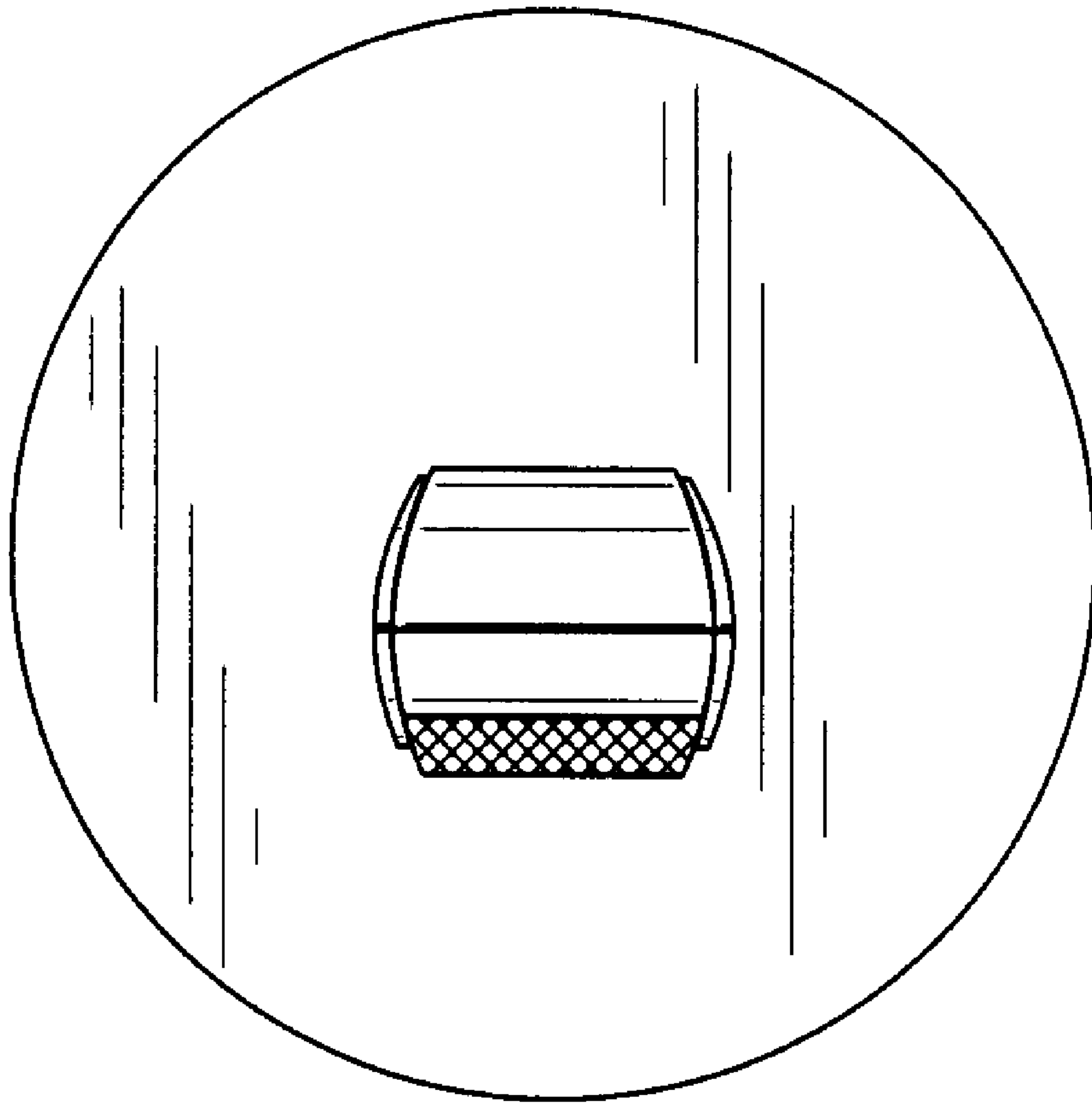


Fig. 13



# Fig. 14

