

US00D548721S

(12) **United States Design Patent**
Lee

(10) **Patent No.:** **US D548,721 S**

(45) **Date of Patent:** **** Aug. 14, 2007**

(54) **PORTABLE RADIO**

(76) Inventor: **Wen Sung Lee**, 8F-2, No. 60-2, 1st Rd,
Taichung Industrial Park, Taichung City
(TW) 407

(**) Term: **14 Years**

(21) Appl. No.: **29/245,006**

(22) Filed: **Dec. 19, 2005**

(51) **LOC (8) Cl.** **14-03**

(52) **U.S. Cl.** **D14/188**

(58) **Field of Classification Search** D14/155,
D14/162, 167-171, 188, 197, 217, 265, 495,
D14/192, 194-196, 198, 215; 369/6-12;
370/342-344; 455/344-355, 90.1-90.3;
D26/37, 38

See application file for complete search history.

(56) **References Cited**

U.S. PATENT DOCUMENTS

D367,277 S *	2/1996	Moshe	D14/196
D400,881 S *	11/1998	Lee	D14/194
D430,138 S *	8/2000	Ben-Moshe	D14/196
D513,335 S *	12/2005	Lee	D26/37
D519,234 S *	4/2006	Lee	D26/37
D520,160 S *	5/2006	Lee	D26/37

D524,470 S *	7/2006	Lee	D26/37
2005/0111218 A1 *	5/2005	Lee	362/192

* cited by examiner

Primary Examiner—Stella Reid
Assistant Examiner—Keli' L. Acker
(74) *Attorney, Agent, or Firm*—Banger Shia

(57) **CLAIM**

The ornamental design for a portable radio, as shown and described.

DESCRIPTION

FIG. 1 is a perspective view of a portable radio, showing my new design;

FIG. 2 is a front elevational view thereof;

FIG. 3 is a rear elevational view thereof;

FIG. 4 is a left side elevational view thereof;

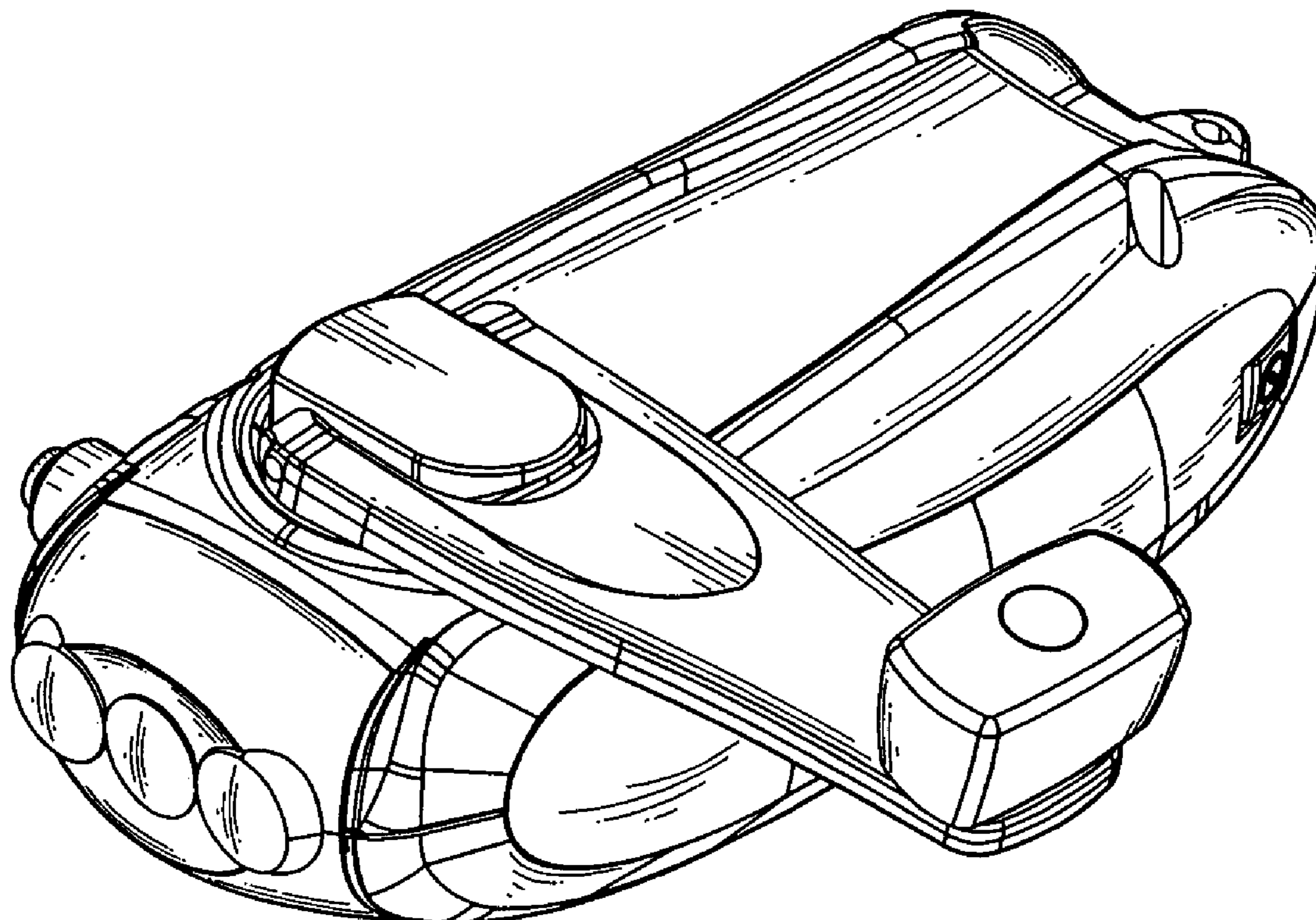
FIG. 5 is a right side elevational view thereof;

FIG. 6 is a top plan view thereof;

FIG. 7 is a bottom plan view thereof; and,

FIG. 8 is a perspective view thereof, showing the hand grip in an open position.

1 Claim, 8 Drawing Sheets



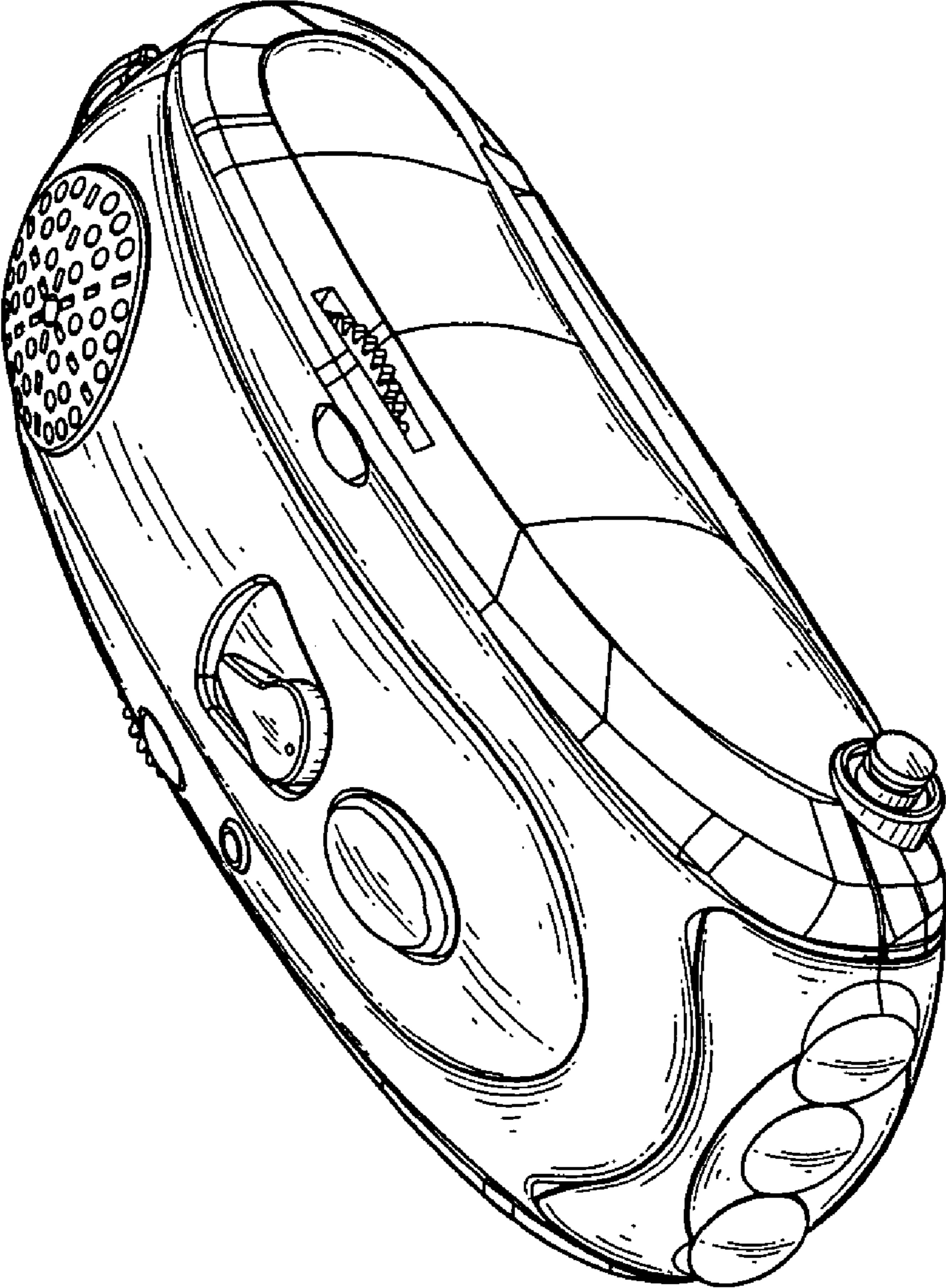


FIG. 1

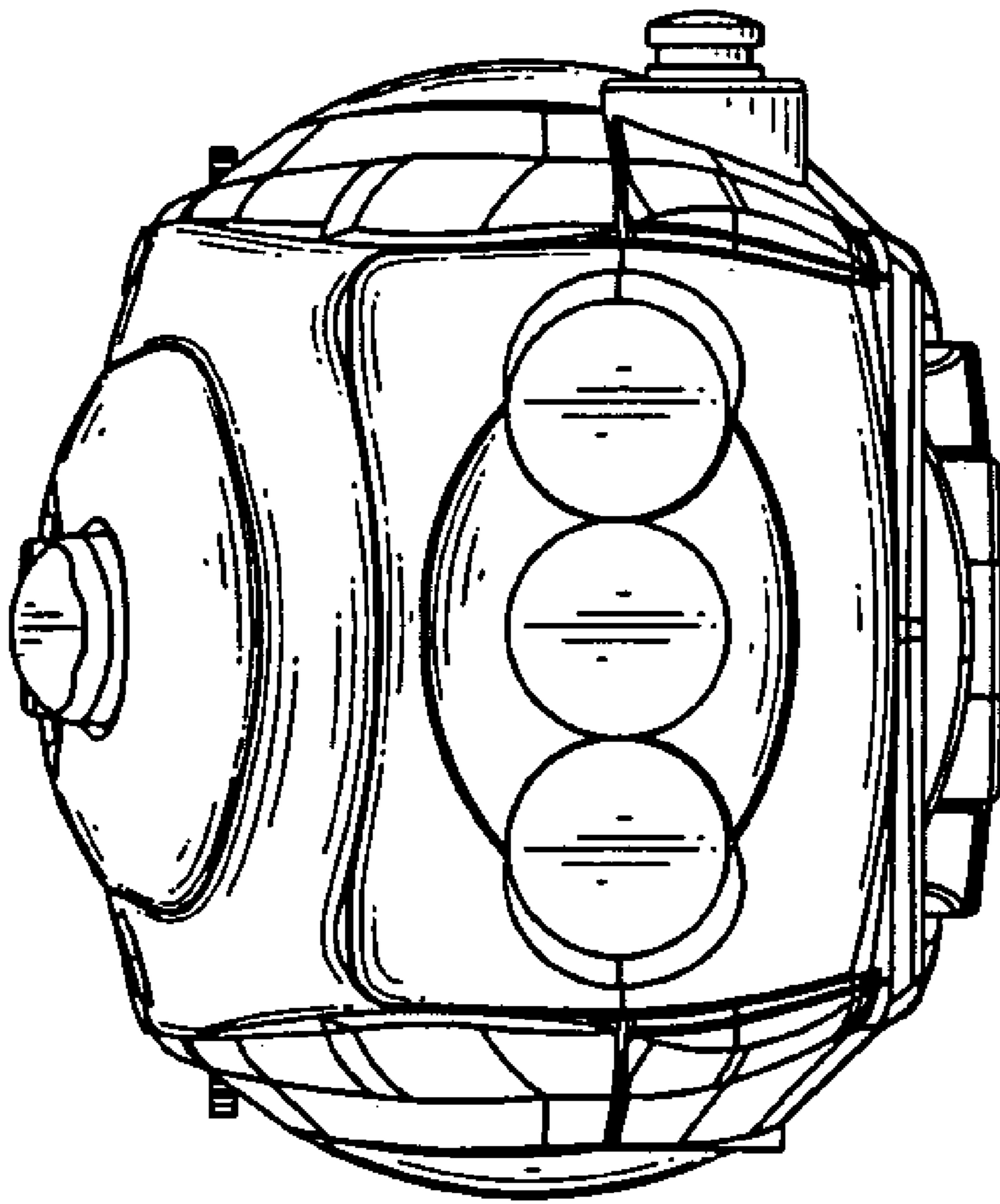


FIG. 2

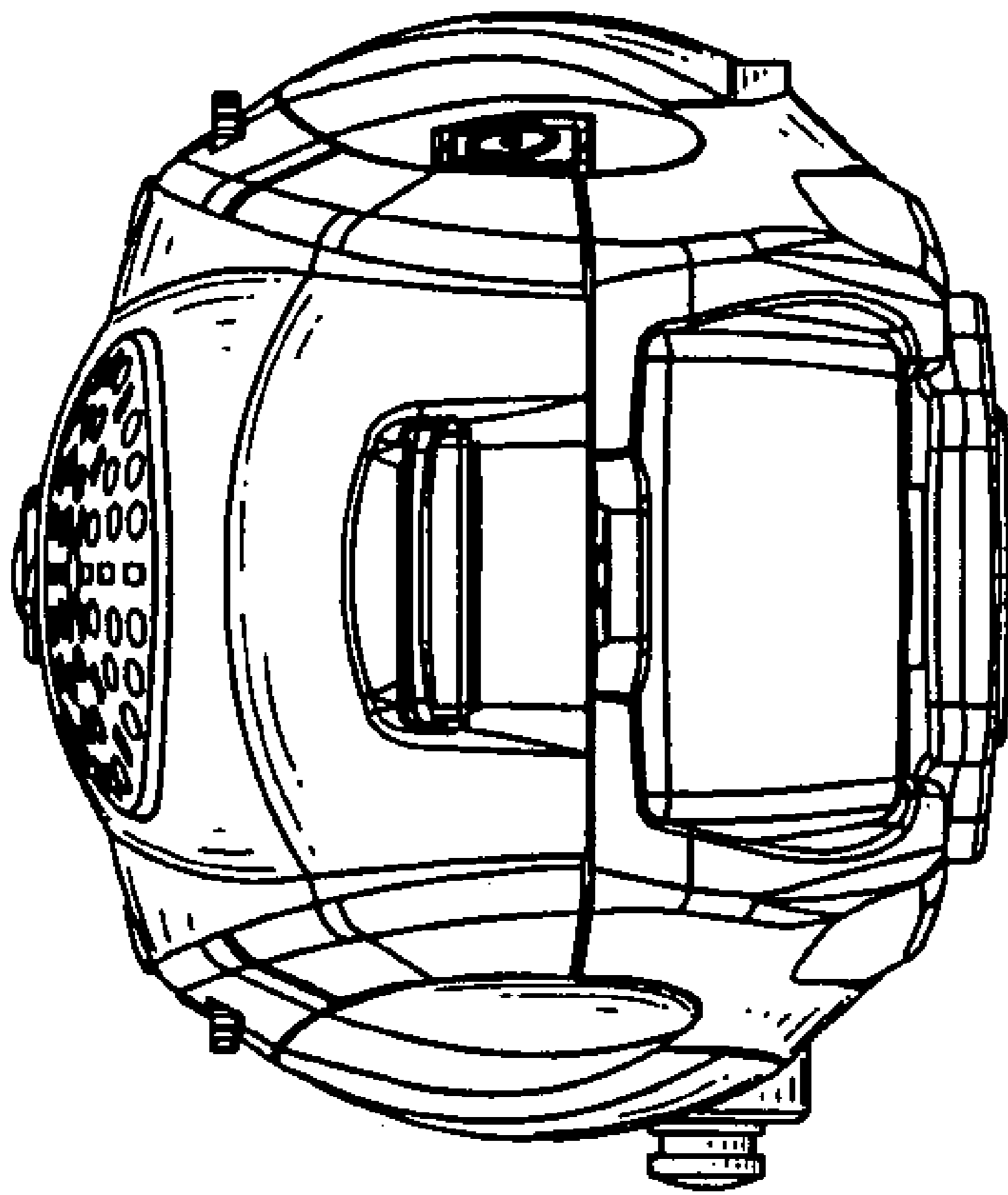


FIG. 3

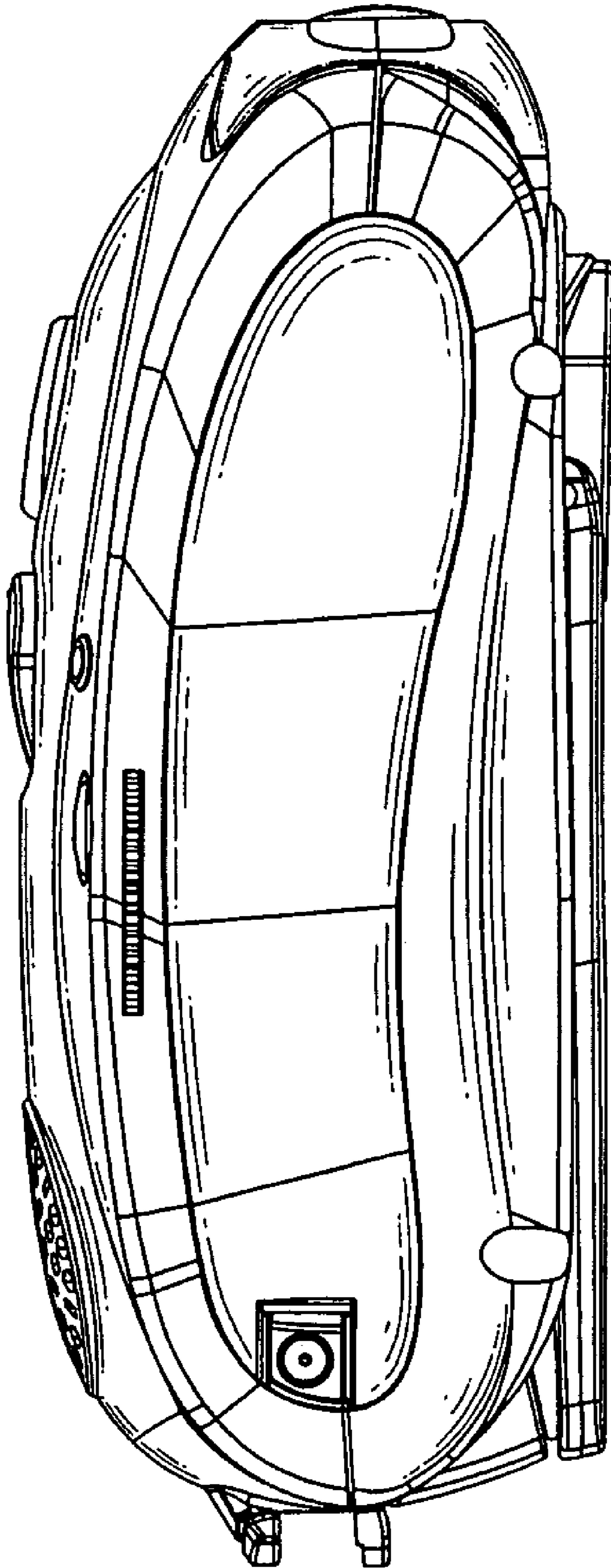


FIG. 4

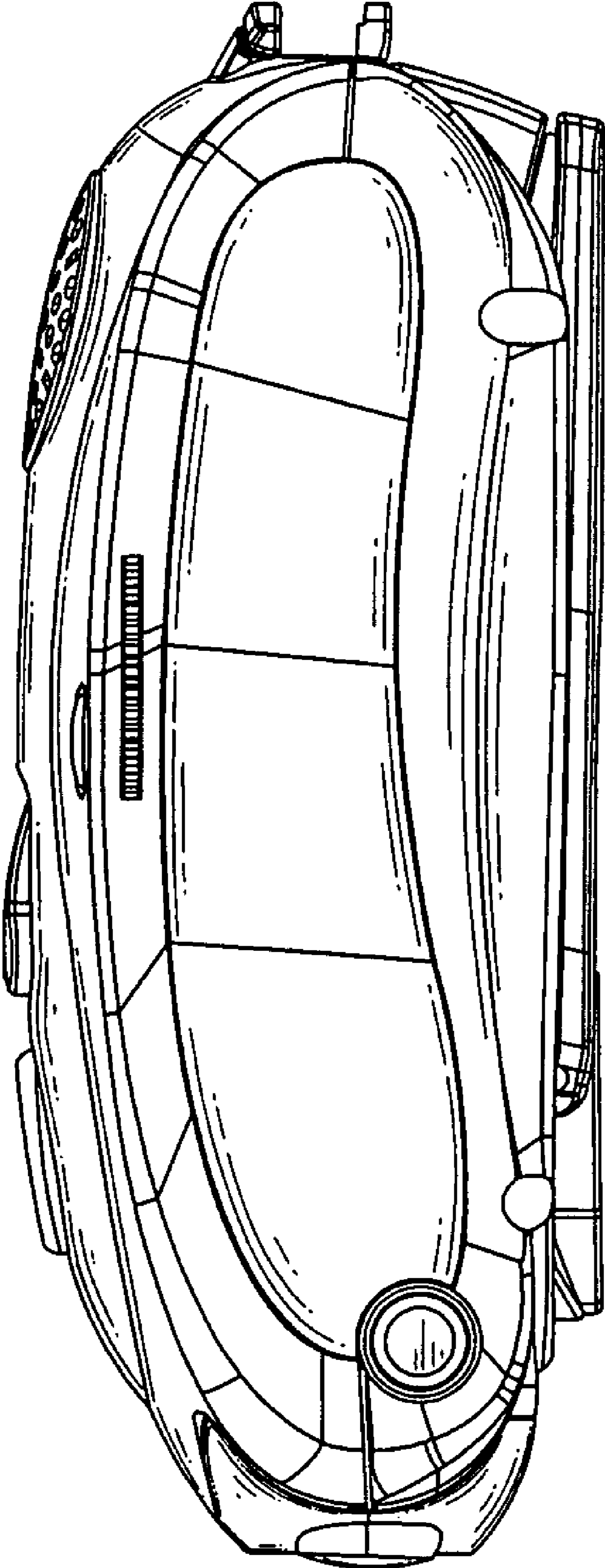


FIG. 5

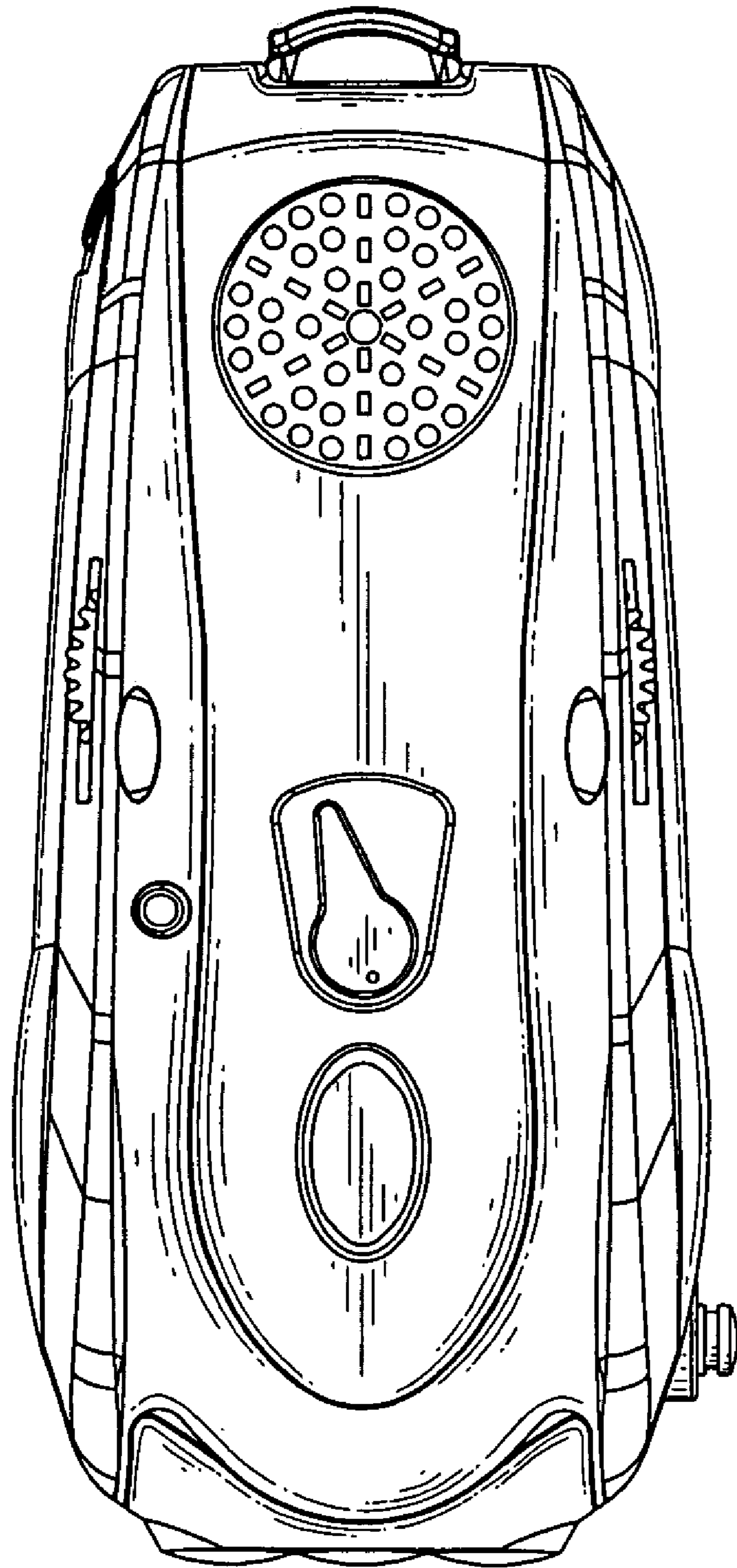


FIG. 6

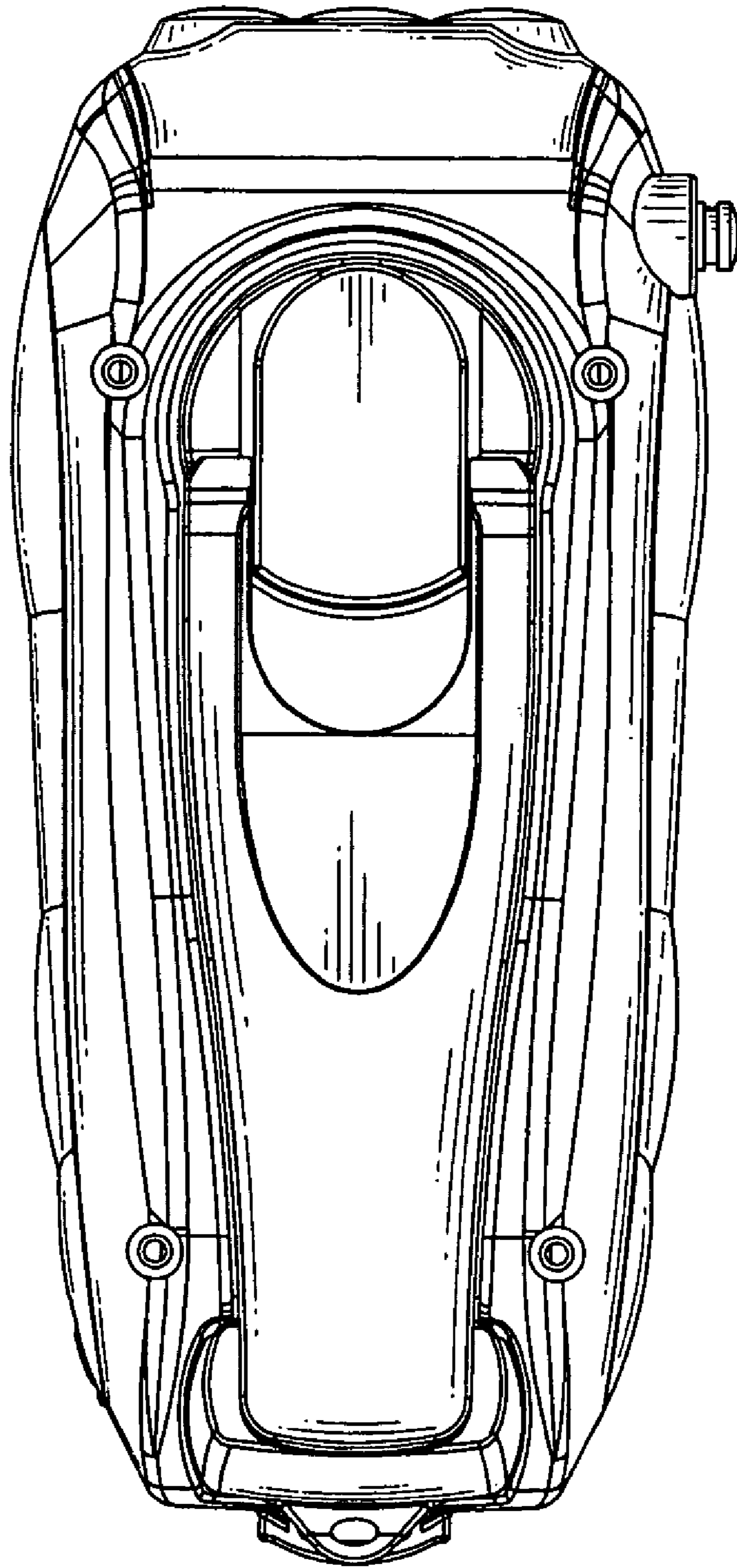


FIG. 7

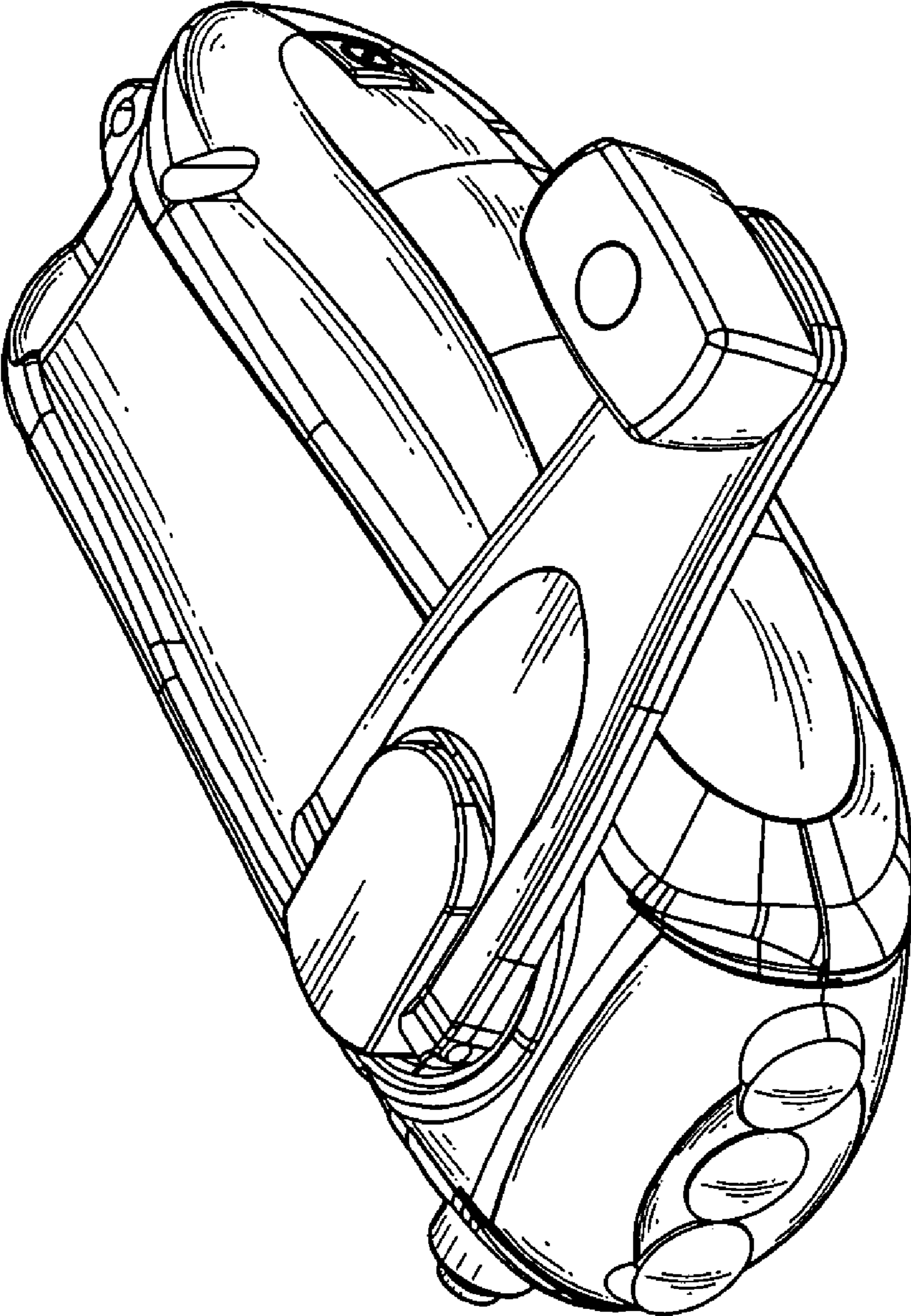


FIG. 8