



US00D548719S

(12) **United States Design Patent**
Dayan

(10) **Patent No.:** **US D548,719 S**

(45) **Date of Patent:** **** Aug. 14, 2007**

(54) **MODULATOR**

(75) Inventor: **Mervin A. Dayan**, Oakhurst, NJ (US)

(73) Assignee: **Intellectual Solutions, Inc.**

(**) Term: **14 Years**

(21) Appl. No.: **29/258,019**

(22) Filed: **Apr. 12, 2006**

(51) **LOC (8) Cl.** **14-03**

(52) **U.S. Cl.** **D14/155**

(58) **Field of Classification Search** D21/566;
D14/299, 240, 188, 162, 155, 137; D13/168,
D13/144, 110, 107; D10/106; 439/668,
439/490, 348, 32; 361/730

See application file for complete search history.

(56) **References Cited**

U.S. PATENT DOCUMENTS

D409,568 S *	5/1999	Lindahl	D13/144
D410,432 S *	6/1999	Park	D13/110
6,116,960 A *	9/2000	Lloyd et al.	439/668
D433,379 S *	11/2000	Jokinen	D13/107
D436,080 S *	1/2001	Hussaini et al.	D13/144
D442,543 S *	5/2001	Krumenacker et al.	D13/107
D456,007 S *	4/2002	Kuo	D13/110
6,551,142 B2 *	4/2003	Eisenbraun	439/668
D492,249 S *	6/2004	Suomalainen et al.	D13/108
D506,455 S *	6/2005	Bey et al.	D14/155
D521,487 S *	5/2006	Dayan	D14/155
D522,992 S *	6/2006	Dayan	D14/155
D523,413 S *	6/2006	Dayan	D14/155
D524,285 S *	7/2006	Dayan	D14/155
D530,306 S *	10/2006	Wang et al.	D14/189

* cited by examiner

Primary Examiner—Cathron C. Brooks

Assistant Examiner—Austin Murphy

(74) *Attorney, Agent, or Firm*—Wolf, Block, Schorr and Solis-Cohen LLP; Brian L. Belles

(57) **CLAIM**

The ornamental design for a modulator, as shown and described.

DESCRIPTION

FIG. 1 is a top perspective view of a modulator showing my design.

FIG. 2 is a left side view of the modulator of FIG. 1.

FIG. 3 is a top view of the modulator of FIG. 1.

FIG. 4 is a bottom view of the modulator of FIG. 1.

FIG. 5 is a front view of the modulator of FIG. 1.

FIG. 6 is a rear view of the modulator of FIG. 1.

FIG. 7 is a top perspective view of a modulator showing my design having certain features shown in phantom.

FIG. 8 is a left side view of the modulator of FIG. 7 having certain features shown in phantom.

FIG. 9 is a top view of the modulator of FIG. 7 having certain features shown in phantom.

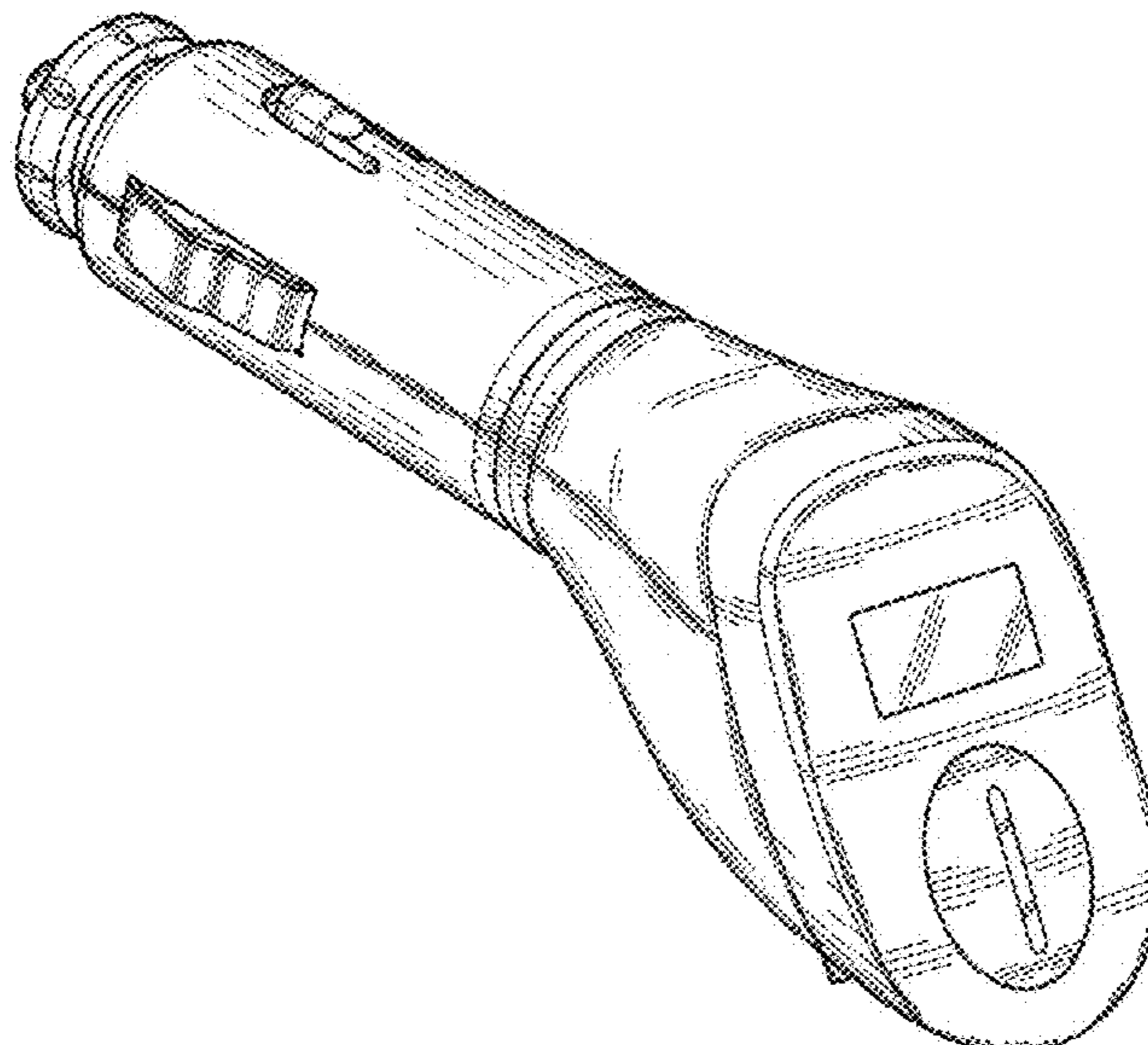
FIG. 10 is a bottom view of the modulator of FIG. 7 having certain features shown in phantom.

FIG. 11 is a front view of the modulator of FIG. 7 having certain features shown in phantom; and,

FIG. 12 is a rear view of the modulator of FIG. 7 having certain features shown in phantom.

Elements of the modulator illustrated in broken lines are not intended to form part of the claimed design but merely exemplify one possible embodiment of the invention. Various omissions, replacements, and/or alternatives of the elements illustrated in broken lines can be utilized in the claimed design.

1 Claim, 12 Drawing Sheets



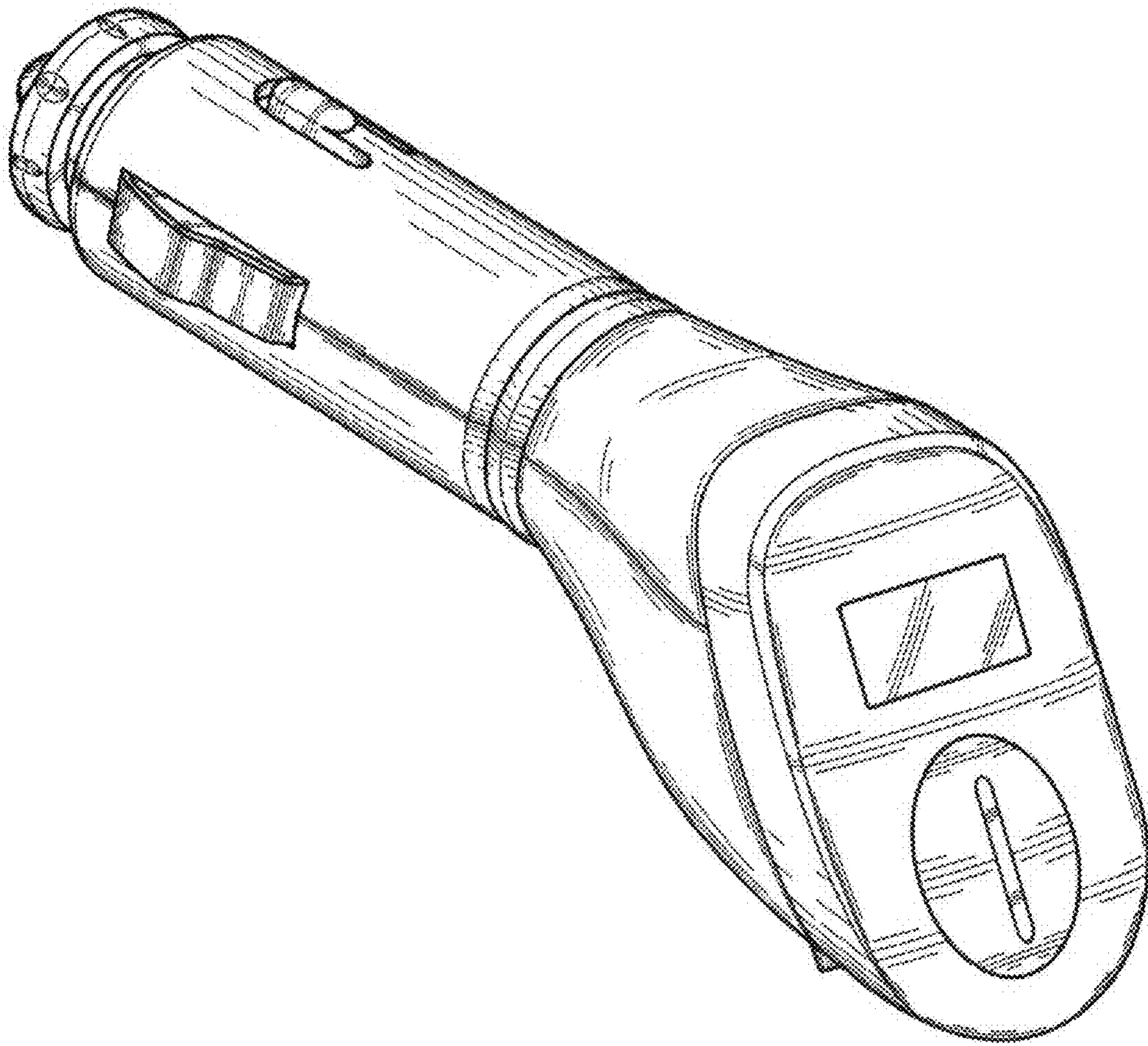


FIG. 1

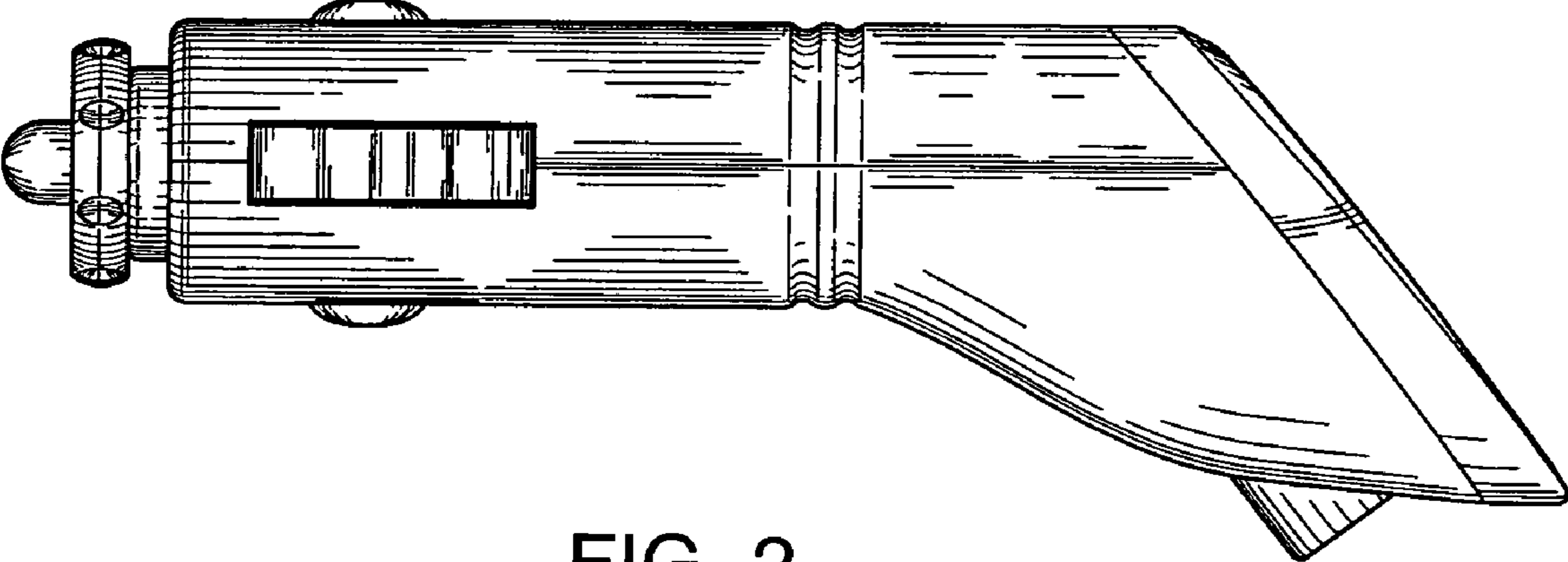


FIG. 2

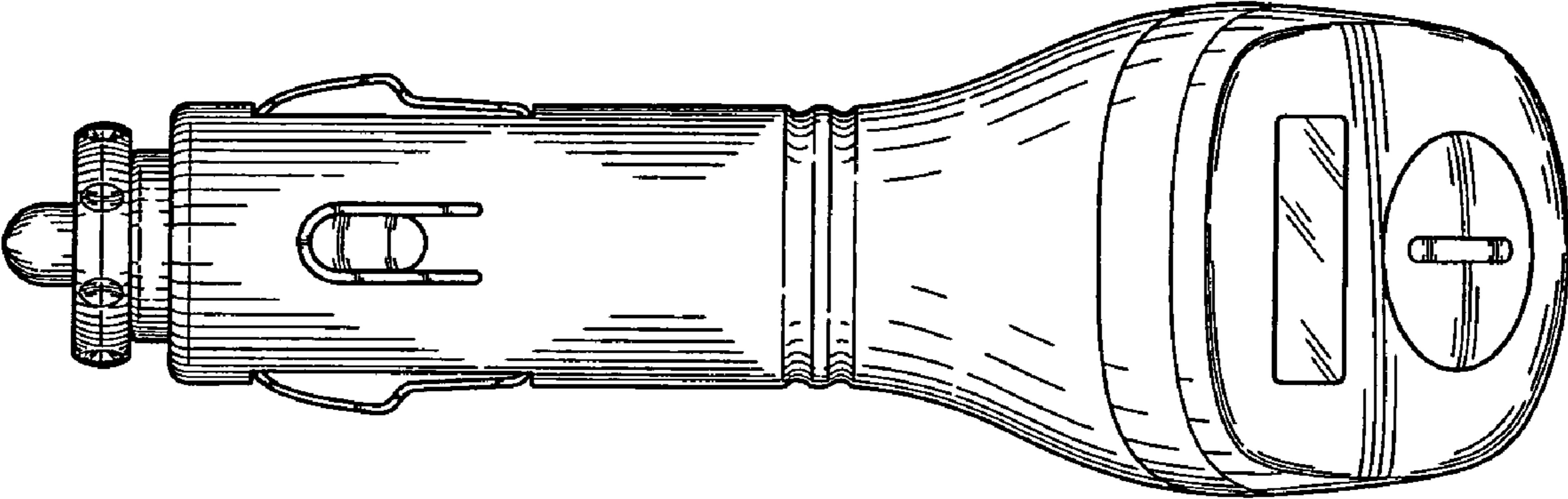


FIG. 3

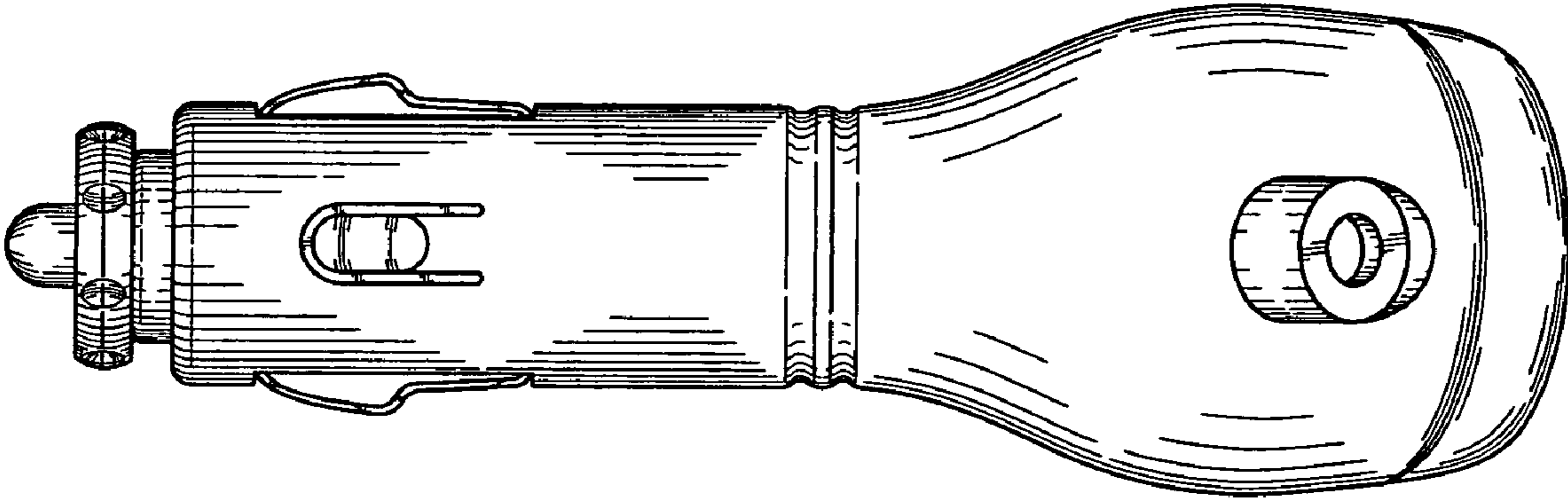


FIG. 4

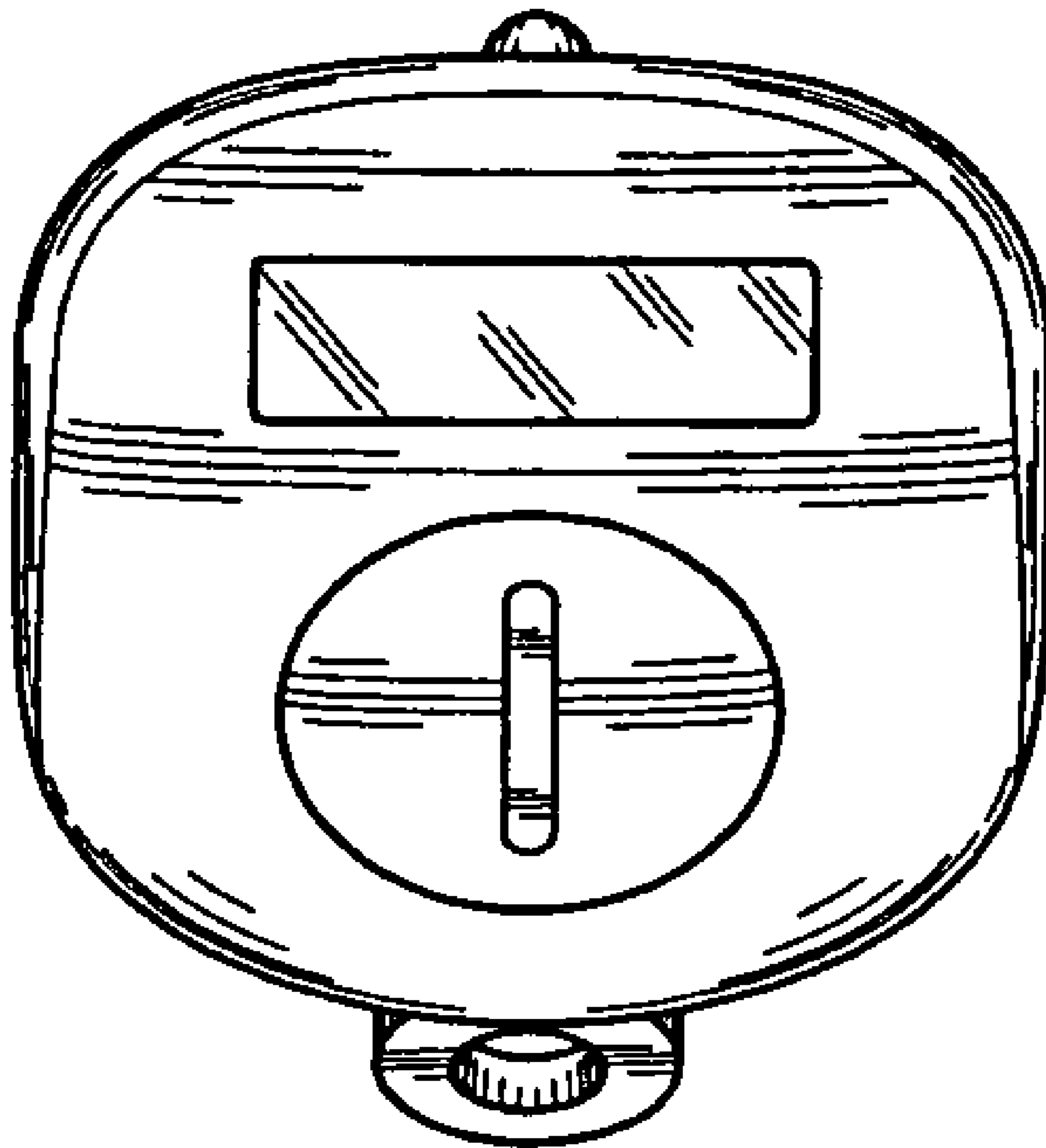


FIG. 5

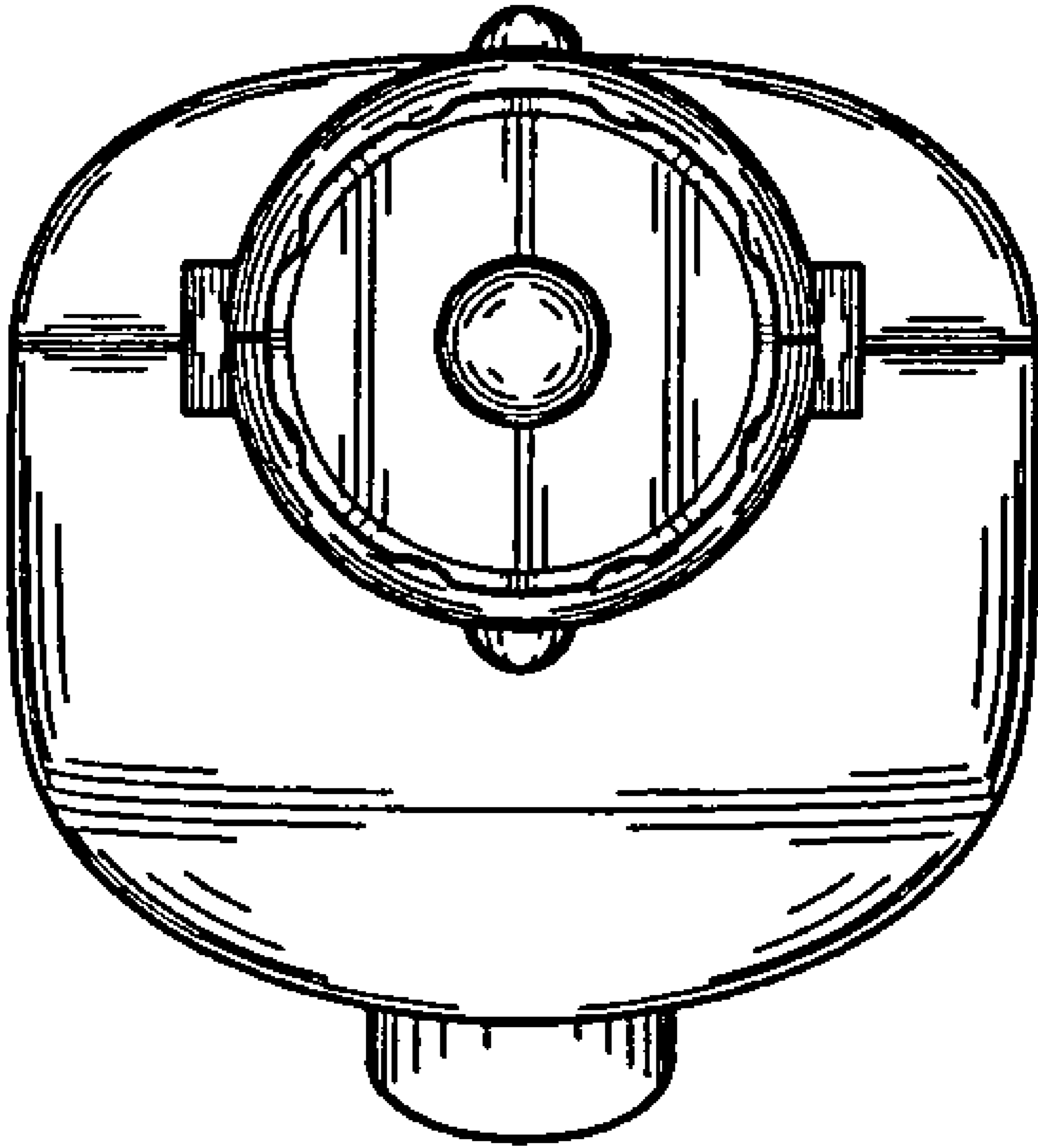


FIG. 6

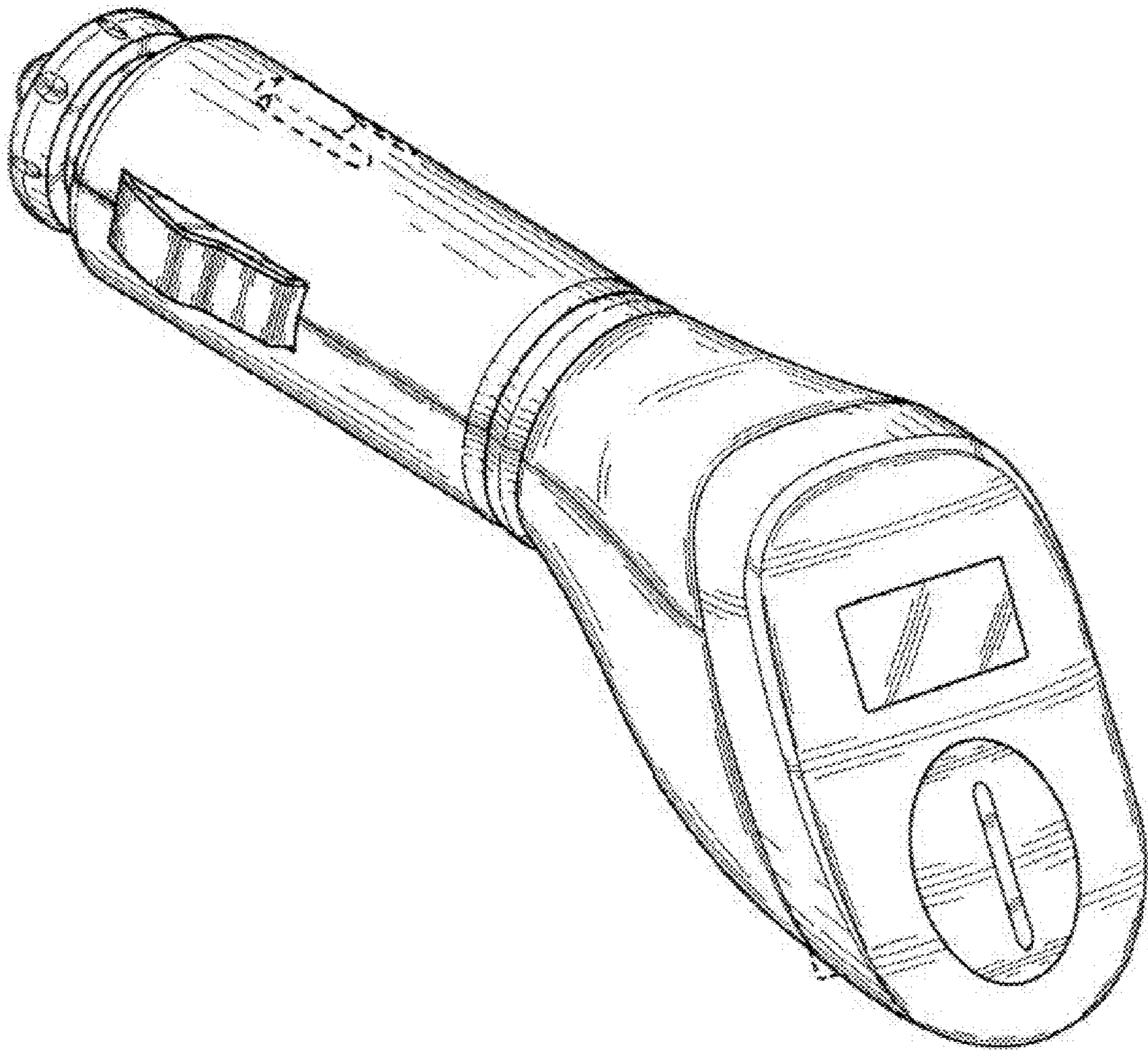


FIG. 7

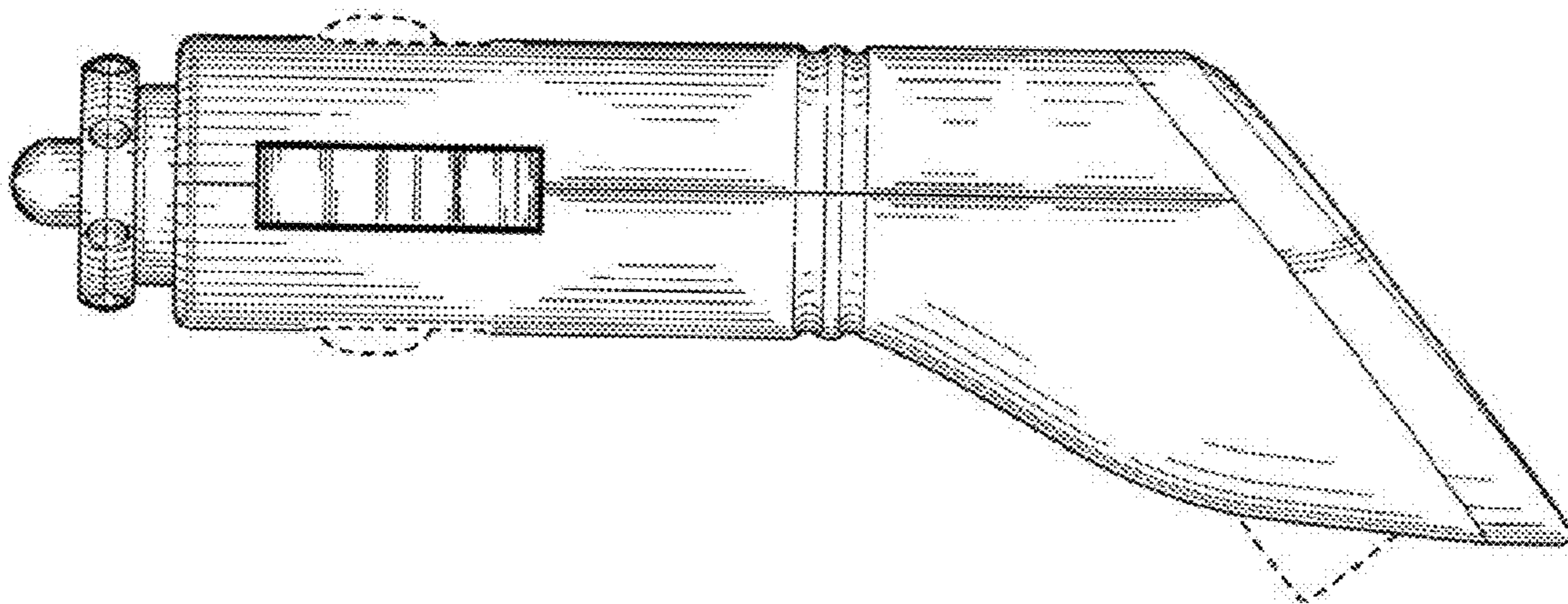


FIG. 8

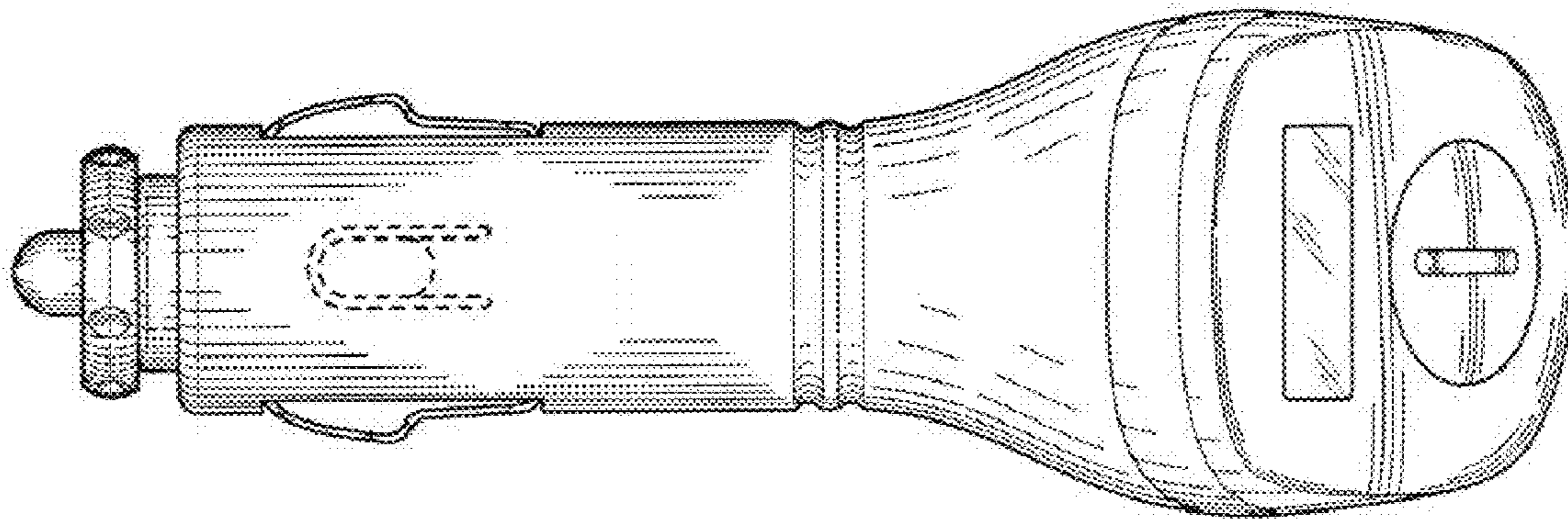


FIG. 9

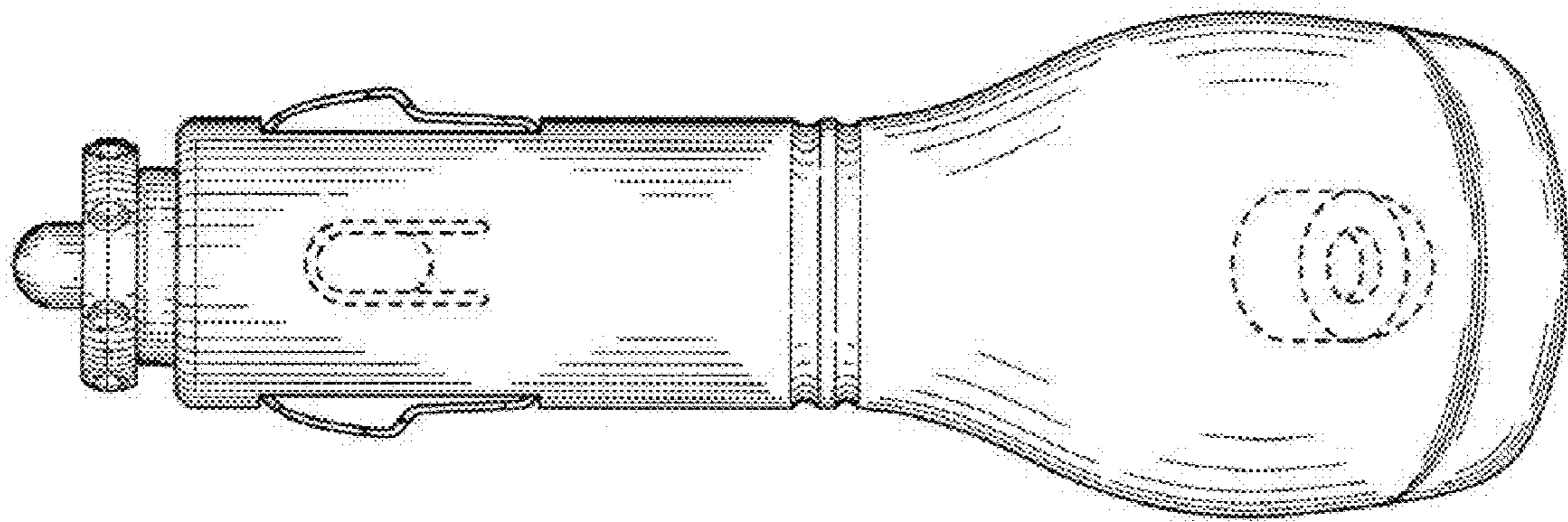


FIG. 10

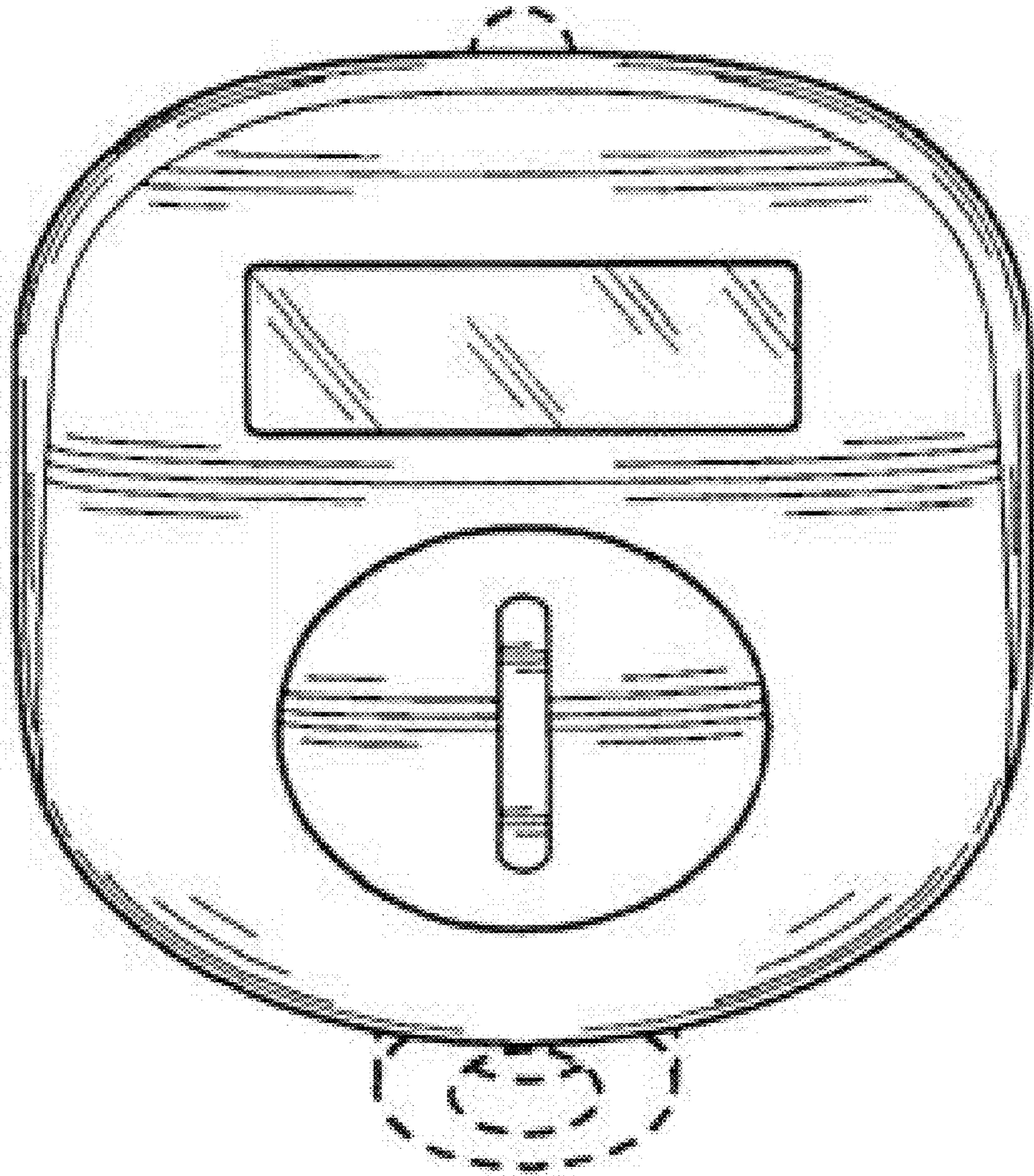


FIG. 11

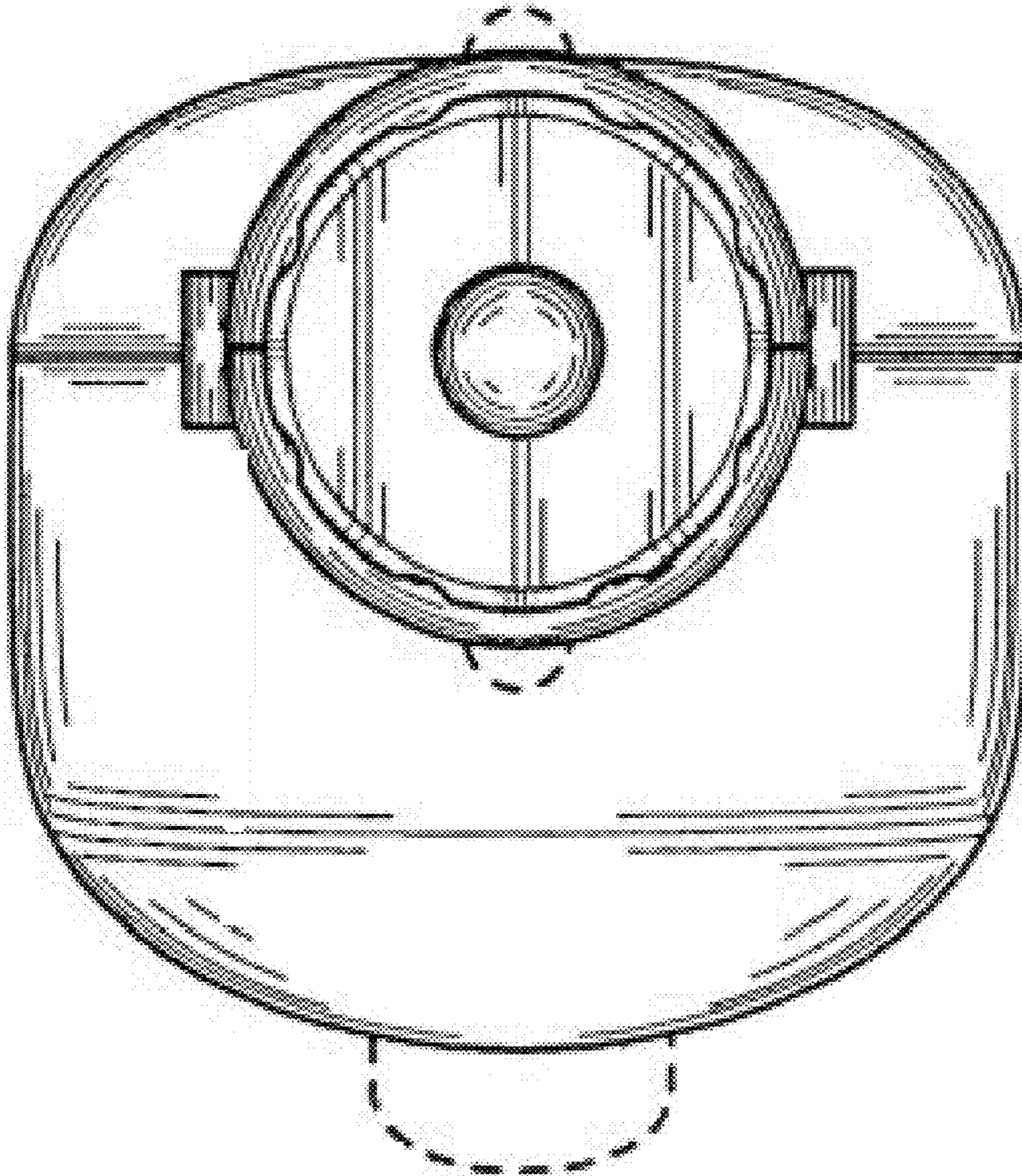


FIG. 12