



US00D548714S

(12) **United States Design Patent**
Kim et al.

(10) **Patent No.:** **US D548,714 S**
(45) **Date of Patent:** **** Aug. 14, 2007**

(54) **PORTABLE TELEPHONE**

(75) Inventors: **Jun Kim**, Seoul (KR); **Joon-Suh Kim**, Seoul (KR); **Chang-Soo Lee**, Seoul (KR)

(73) Assignee: **Samsung Electronics Co., Ltd.**, Kyunggi-do (KR)

(**) Term: **14 Years**

(21) Appl. No.: **29/256,890**

(22) Filed: **Mar. 27, 2006**

(51) **LOC (8) Cl.** **14-03**

(52) **U.S. Cl.** **D14/138**

(58) **Field of Classification Search** D14/137, D14/138, 147, 218, 341-347, 496; 455/90.3, 455/556.1, 556.2, 575.1, 575.3, 575.4; 379/433.01-433.13; 361/814; 348/14.02

See application file for complete search history.

(56) **References Cited**

U.S. PATENT DOCUMENTS

- 5,838,789 A * 11/1998 Mendolia 379/433.13
- D407,716 S 4/1999 Park
- D407,717 S 4/1999 Kim
- D407,718 S 4/1999 Lee
- D410,920 S 6/1999 Lee et al.
- D411,537 S 6/1999 Lee
- D414,765 S 10/1999 Park
- D415,151 S 10/1999 Kim
- D415,488 S 10/1999 Lee
- D466,504 S * 12/2002 Masuda et al. D14/346
- D489,698 S 5/2004 Kim et al.
- D495,695 S * 9/2004 Yugaya D14/346
- D500,993 S 1/2005 Hwang
- D501,458 S 2/2005 Kim et al.
- D501,658 S 2/2005 Park et al.
- D501,837 S 2/2005 Kim et al.
- D501,838 S 2/2005 Kim et al.

- D502,161 S 2/2005 Kim et al.
- D502,457 S * 3/2005 Eigenstetter et al. D14/138
- D503,164 S 3/2005 Park et al.
- D504,406 S 4/2005 Cho et al.
- D505,125 S 5/2005 Ahn et al.
- D505,126 S 5/2005 Ahn et al.
- D506,454 S 6/2005 Kim et al.
- D506,738 S 6/2005 Kim et al.
- D507,252 S 7/2005 Kim et al.
- D507,550 S 7/2005 Kim et al.

(Continued)

OTHER PUBLICATIONS

Samsung D720, announced 1st quarter 2006, [online], [retrieved on Feb. 8, 2007]. Retrieved from Internet ,<URL: <http://www.gsmarena.com>>.*

(Continued)

Primary Examiner—Jeffrey Asch

Assistant Examiner—Bridget L. Eland

(74) *Attorney, Agent, or Firm*—Flynn, Thiel, Boutell & Tanis, P.C.

(57) **CLAIM**

The ornamental design for a portable telephone, as shown and described.

DESCRIPTION

FIG. 1 is a perspective view of a portable telephone showing our new design;

FIG. 2 is a front elevational view thereof;

FIG. 3 is a rear elevational view thereof;

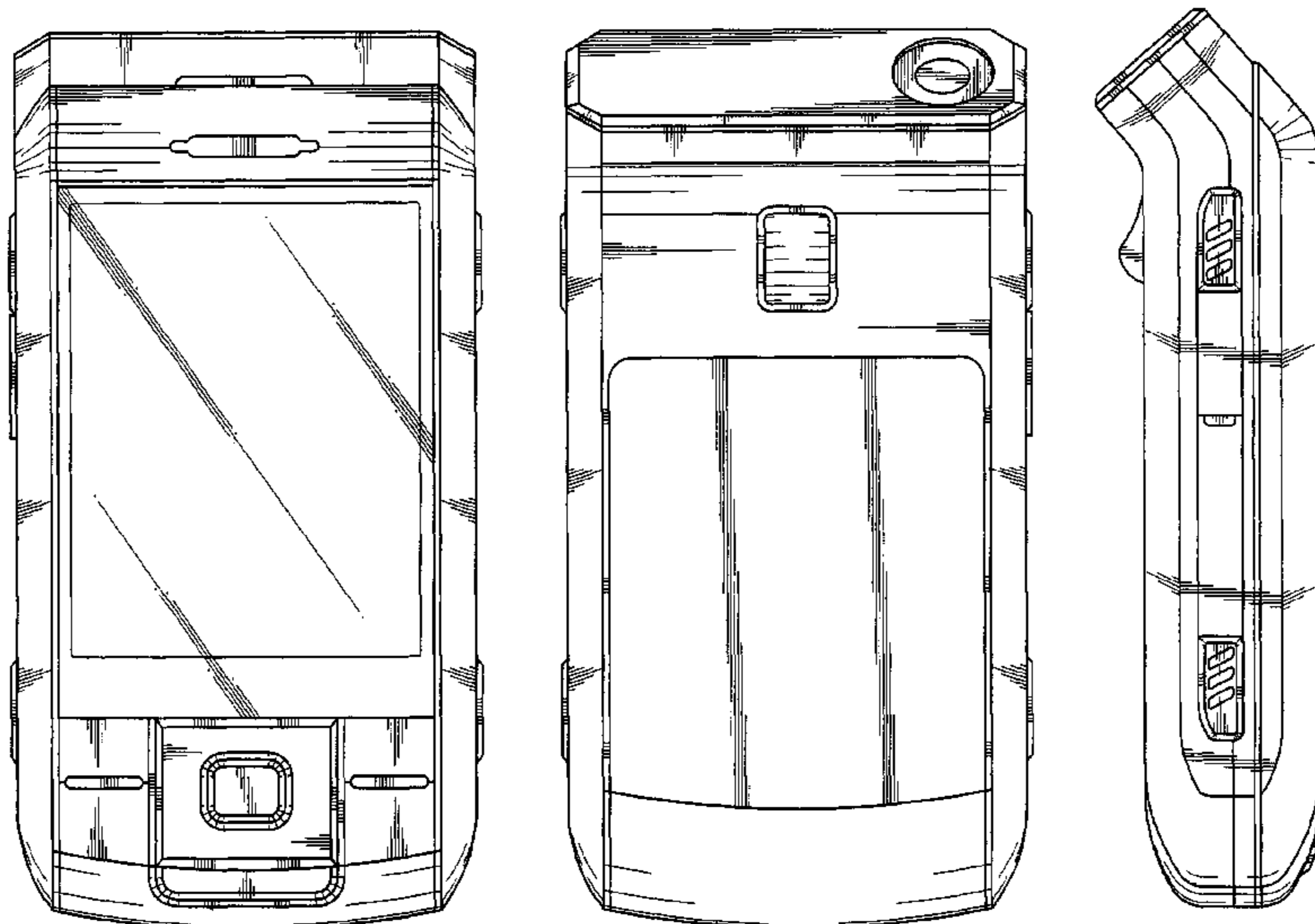
FIG. 4 is a left side elevational view thereof;

FIG. 5 is a right side elevational view thereof;

FIG. 6 is a top plan view thereof; and,

FIG. 7 is a bottom plan view thereof.

1 Claim, 4 Drawing Sheets



U.S. PATENT DOCUMENTS

D507,551 S	7/2005	Kim et al.	
D507,787 S	7/2005	Ahn et al.	
D508,031 S	8/2005	Kim et al.	
D508,033 S	8/2005	Kim et al.	
D508,035 S	8/2005	Kim et al.	
D508,240 S	8/2005	Lee et al.	
D508,473 S	8/2005	Lee et al.	
D508,685 S	8/2005	Kim et al.	
D508,686 S	8/2005	Kim et al.	
D508,688 S	8/2005	Lee et al.	
D508,903 S	8/2005	Kim et al.	
D509,215 S	* 9/2005	Han et al.	D14/343
D509,494 S	* 9/2005	Cho et al.	D14/138
D510,078 S	9/2005	Lee et al.	
D510,922 S	10/2005	Kim et al.	
D511,342 S	* 11/2005	Chien	D14/346
D512,038 S	11/2005	Kim et al.	
D512,394 S	12/2005	Kim et al.	
D512,702 S	12/2005	Lee et al.	
D513,244 S	12/2005	Kim et al.	
D513,740 S	1/2006	Park et al.	
D515,544 S	2/2006	Kim et al.	
D517,038 S	3/2006	Lee et al.	
D517,039 S	3/2006	Lee et al.	
D518,464 S	4/2006	Lee et al.	
D518,810 S	4/2006	Lee et al.	
D518,811 S	4/2006	Shin et al.	
D519,097 S	4/2006	Lee et al.	
D519,098 S	4/2006	Han et al.	
D519,482 S	4/2006	Lee et al.	
D519,483 S	4/2006	Cho et al.	
D519,486 S	4/2006	Lee et al.	
D519,968 S	5/2006	Lee et al.	
D519,998 S	* 5/2006	Park	D14/346
D520,483 S	5/2006	Park et al.	
D520,484 S	5/2006	Lee et al.	
D520,977 S	5/2006	Lee et al.	
D520,981 S	5/2006	Lee et al.	
D520,982 S	5/2006	Kim et al.	
D521,478 S	5/2006	Lee et al.	
D521,479 S	5/2006	Cho et al.	
D521,483 S	5/2006	Kim et al.	
D525,609 S	* 7/2006	Kim et al.	D14/138
D526,302 S	* 8/2006	Kim	D14/138
D526,987 S	* 8/2006	Lee et al.	D14/138
D528,093 S	* 9/2006	Yang et al.	D14/138
D528,532 S	* 9/2006	Dimitriadis et al.	D14/138
D530,295 S	* 10/2006	Chung et al.	D14/138
D533,160 S	* 12/2006	Yoo et al.	D14/138
D534,516 S	* 1/2007	Lheem	D14/138
D534,892 S	* 1/2007	Lee et al.	D14/138
D535,275 S	* 1/2007	Kim et al.	D14/138
D535,631 S	* 1/2007	Millora	D14/126
D536,691 S	* 2/2007	Park	D14/138
2005/0124381 A1*	6/2005	Kim et al.	455/556.1
2005/0266897 A1*	12/2005	Ahn et al.	455/575.1
2006/0009255 A1*	1/2006	Vuolteenaho	455/556.1
2007/0049356 A1*	3/2007	Jung et al.	455/575.1

OTHER PUBLICATIONS

Nokia 6111, announced Jun. 2005, [online], [retrieved on Feb. 16, 2007]. Retrieved from Internet ,<URL: <http://www.gsmarena.com>>.*

Nokia 6270, announced Jun. 2005, [online], [retrieved on Feb. 16, 2007]. Retrieved from Internet ,<URL: <http://www.gsmarena.com>>.*

Nokia 6288, announced Sep. 2006, [online], [retrieved on Feb. 16, 2007]. Retrieved from Internet ,<URL: <http://www.gsmarena.com>>.*

Eten glofiish X500, announced Oct. 2006, [online], [retrieved on Feb. 20, 2007]. Retrieved from Internet ,<URL: <http://www.gsmarena.com>>.*

O2 XDA Zinc, announced Dec. 2006, [online], [retrieved on Feb. 20, 2007]. Retrieved from Internet ,<URL: <http://www.gsmarena.com>>.*

U.S. Appl. No. 29/204,878, Applicant: Bum-Soo Park, et al., filed May 5, 2004 entitled Portable Telephone.

U.S. Appl. No. 29/216,563, Applicant: Jin-Soo Kim, et al., filed Nov. 4, 2004 entitled Portable Telephone.

U.S. Appl. No. 29/226,417, Applicant: Jin-Soo Kim, et al., filed Mar. 29, 2005 entitled Portable Telephone.

U.S. Appl. No. 29/231,234, Applicant: Yun-Jin Park, et al., filed Jun. 2, 2005 entitled Portable Telephone.

U.S. Appl. No. 29/235,651, Applicant: Eun-Young Kim, et al., filed Aug. 4, 2005 entitled Portable Telephone.

U.S. Appl. No. 29/235,467, Applicant: Hyok-Su Choi, et al., filed Aug. 2, 2005 entitled Portable Telephone.

U.S. Appl. No. 29/226,463, Applicant: Jin-Soo Kim, et al., filed Mar. 29, 2005 entitled Portable Telephone.

U.S. Appl. No. 29/226,465, Applicant: Ki-Eon Lee, et al., filed Mar. 29, 2005 entitled Portable Telephone.

U.S. Appl. No. 29/226,464, Applicant: Joon-Ki Yun, et al., filed Mar. 29, 2005 entitled Portable Telephone.

U.S. Appl. No. 29/226,982, Applicant: Yu-Guen Kim, et al., filed Apr. 5, 2005 entitled Portable Telephone.

U.S. Appl. No. 29/226,990, Applicant: Yu-Guen Kim, et al., filed Apr. 5, 2005 entitled Portable Telephone.

U.S. Appl. No. 29/227,339, Applicant: Joon-Suh Kim, et al., filed Apr. 7, 2005 entitled Portable Telephone.

U.S. Appl. No. 29/227,338, Applicant: Joon-Suh Kim, et al., filed Apr. 7, 2005 entitled Portable Telephone.

U.S. Appl. No. 29/227,258, Applicant: Min-Ah Koh, et al., filed Apr. 8, 2005 entitled Portable Telephone.

U.S. Appl. No. 29/224,584, Applicant: Ha-Youl Jung, et al., filed Mar. 3, 2005 entitled Portable Telephone.

U.S. Appl. No. 29/231,235, Applicant: Yun-Jin Park, et al., filed Jun. 2, 2005 entitled Portable Telephone.

U.S. Appl. No. 29/226,455, Applicant: Woo-Seung Han, et al., filed Mar. 29, 2005 entitled Portable Telephone.

U.S. Appl. No. 29/226,418, Applicant: Ji-Hyun Moon, et al., filed Mar. 29, 2005 entitled Portable Telephone.

U.S. Appl. No. 29/226,419, Applicant: Min-Ah Koh, et al., filed Mar. 29, 2005 entitled Portable Telephone.

U.S. Appl. No. 29/226,470, Applicant: Nam-Su Kim, et al., filed Mar. 29, 2005 entitled Portable Telephone.

U.S. Appl. No. 29/226,474, Applicant: Nam-Su Kim, et al., filed Mar. 29, 2005 entitled Portable Telephone.

U.S. Appl. No. 29/226,460, Applicant: Nam-Su Kim, et al., filed Mar. 29, 2005 entitled Portable Telephone.

U.S. Appl. No. 29/226,461, Applicant: Joon-Ki Yun, et al., filed Mar. 29, 2005 entitled Portable Telephone.

U.S. Appl. No. 29/243,946, Applicant: Young-Se Kim, et al., filed Dec. 2, 2005 entitled Portable Telephone.

U.S. Appl. No. 29/252,885, Applicant: Woo-Seung Han, et al., filed Jan. 30, 2006 entitled Portable Telephone.

U.S. Appl. No. 29/252,877, Applicant: Min-Hyook Lee, et al., filed Jan. 30, 2006 entitled Portable Telephone.

U.S. Appl. No. 29/252,886, Applicant: Jae-Hwa Moon, et al., filed Jan. 30, 2006 entitled Portable Telephone.

U.S. Appl. No. 29/252,884, Applicant: Hyok-Su Choi, et al., filed Jan. 30, 2006 entitled Portable Telephone.

U.S. Appl. No. 29/252,883, Applicant: Hyung-Shin Park, et al., filed Jan. 30, 2006 entitled Portable Telephone.

U.S. Appl. No. 29/256,894, Applicant: Hyun-Sook Kim, et al., filed Mar. 27, 2006 entitled Portable Telephone.

U.S. Appl. No. 29/256,893, Applicant: Hyung-Shin Park, et al., filed Mar. 27, 2006 entitled Portable Telephone.

U.S. Appl. No. 29/256,892, Applicant: Woo-Seung Han, et al., filed Mar. 27, 2006 entitled Portable Telephone.

U.S. Appl. No. 29/256,891, Applicant: Yang-Jic Lee, et al., filed Mar. 27, 2006 entitled Portable Telephone.

US D548,714 S

Page 3

U.S. Appl. No. 29/256,889, Applicant: Yang-Jic Lee, et al., filed Mar. 27, 2006 entitled Smart Phone.

U.S. Appl. No. 29/256,888, Applicant: Tae-Joong Kim, et al., filed Mar. 27, 2006 entitled Portable Telephone.

U.S. Appl. No. 29/256,887, Applicant: Jun Kim, et al., filed Mar. 27, 2006 entitled Portable Telephone.

U.S. Appl. No. 29/256,895, Applicant: Jun Kim, et al., filed Mar. 27, 2006 entitled Portable Telephone.

U.S. Appl. No. 29/258,371, Applicant: Young-Keun Lee, filed Apr. 20, 2006 entitled Portable Telephone.

U.S. Appl. No. 29/258,372, Applicant: Jae-Woong Chung, et al., filed Apr. 20, 2006 entitled Portable Telephone.

U.S. Appl. No. 29/252,882, Applicant: Min-Hyouk Lee, et al., filed Jan. 30, 2006 entitled Portable Telephone.

* cited by examiner

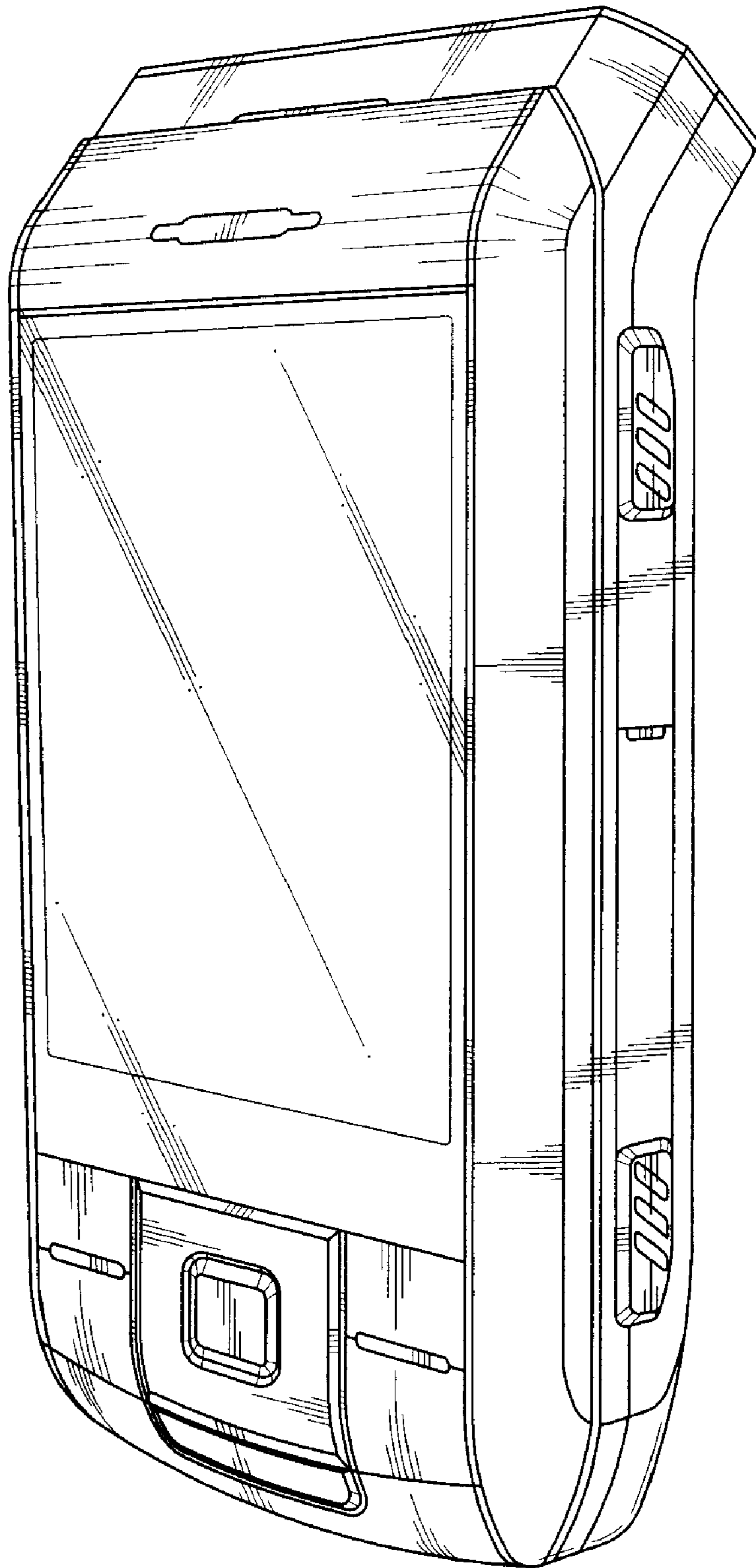


FIG. 1

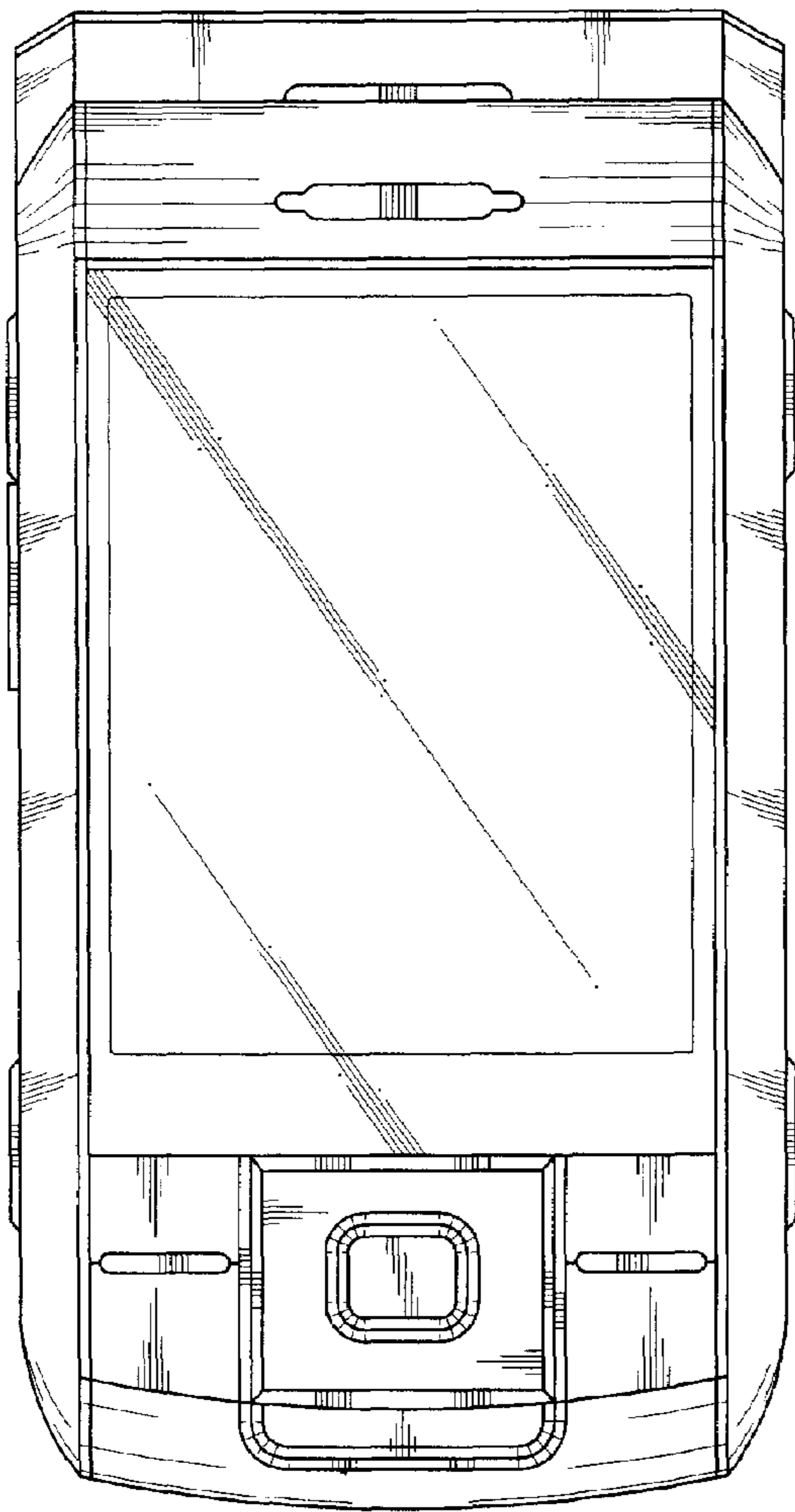


FIG. 2

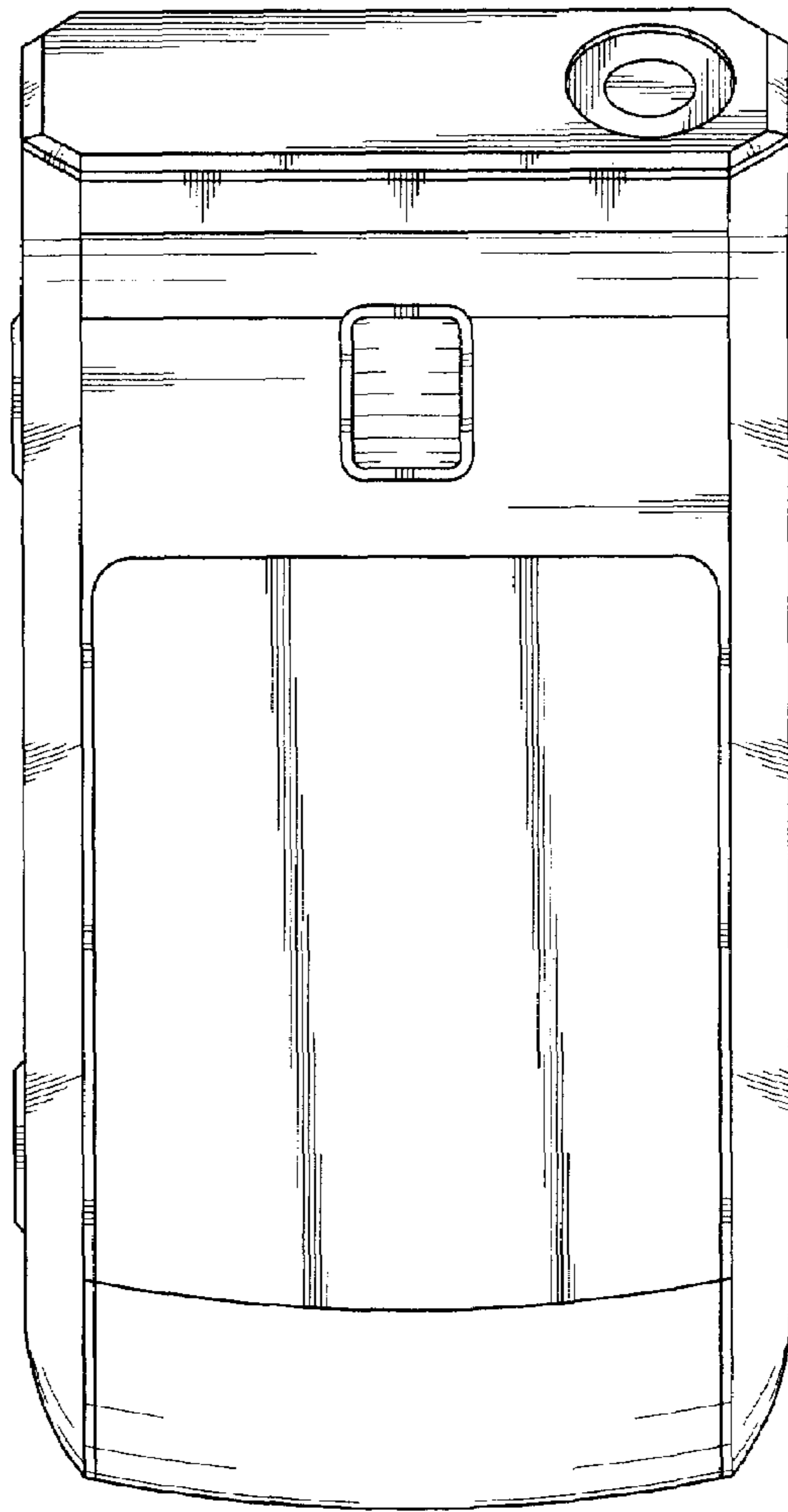


FIG. 3

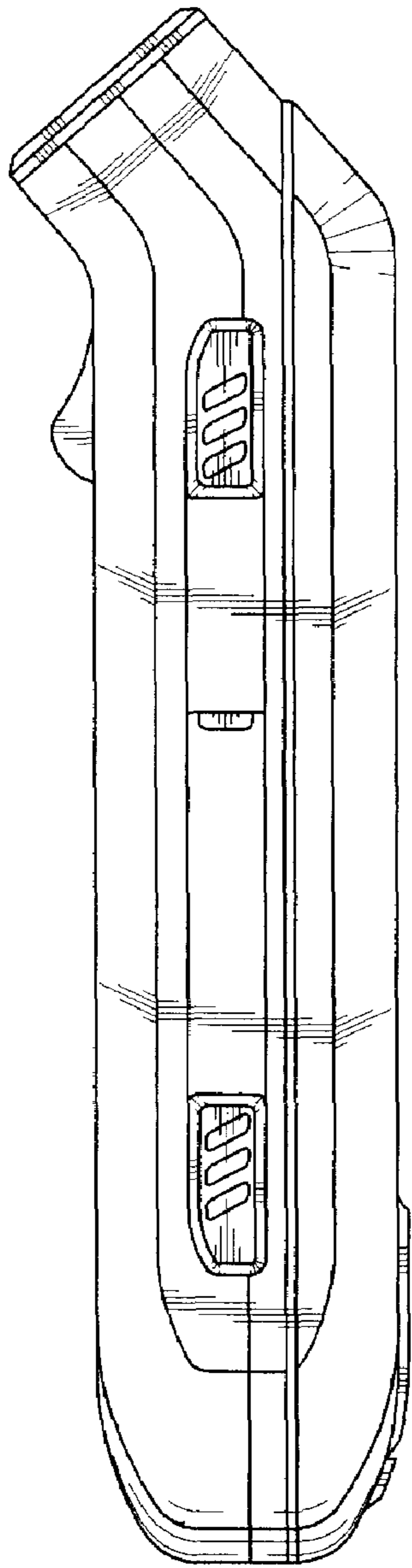


FIG. 4

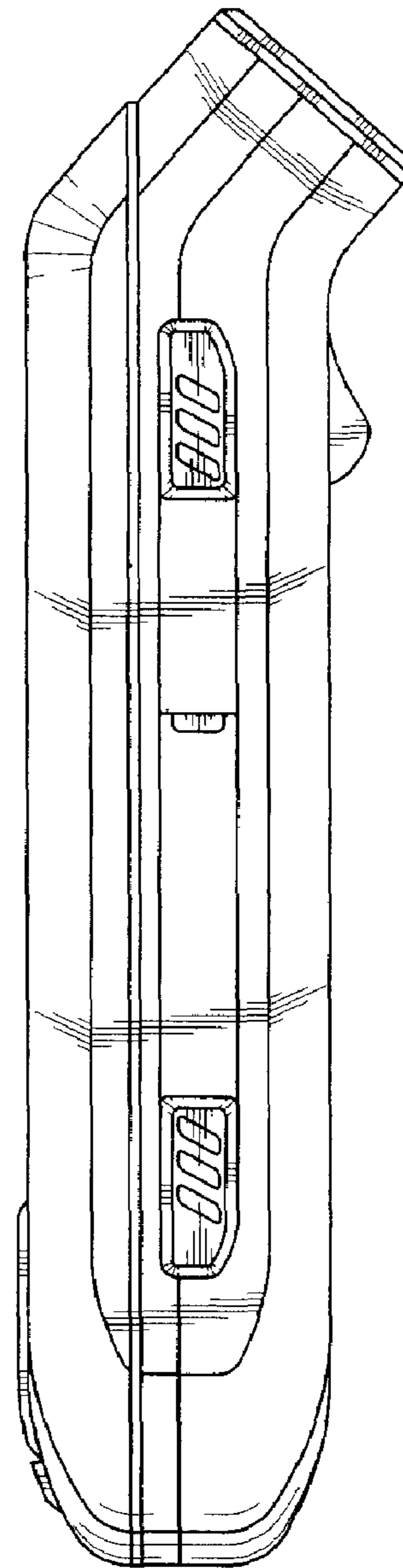


FIG. 5

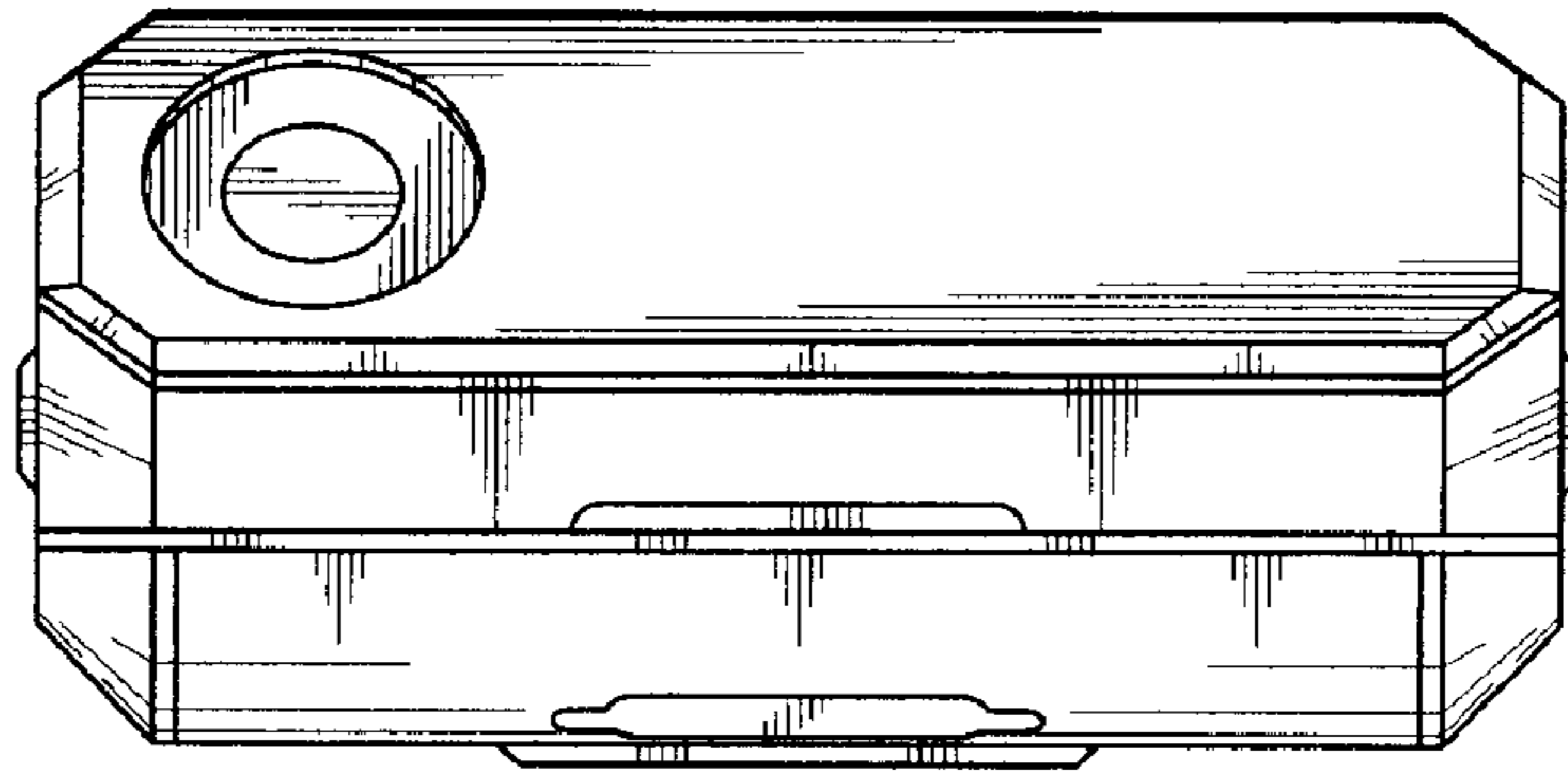


FIG. 6

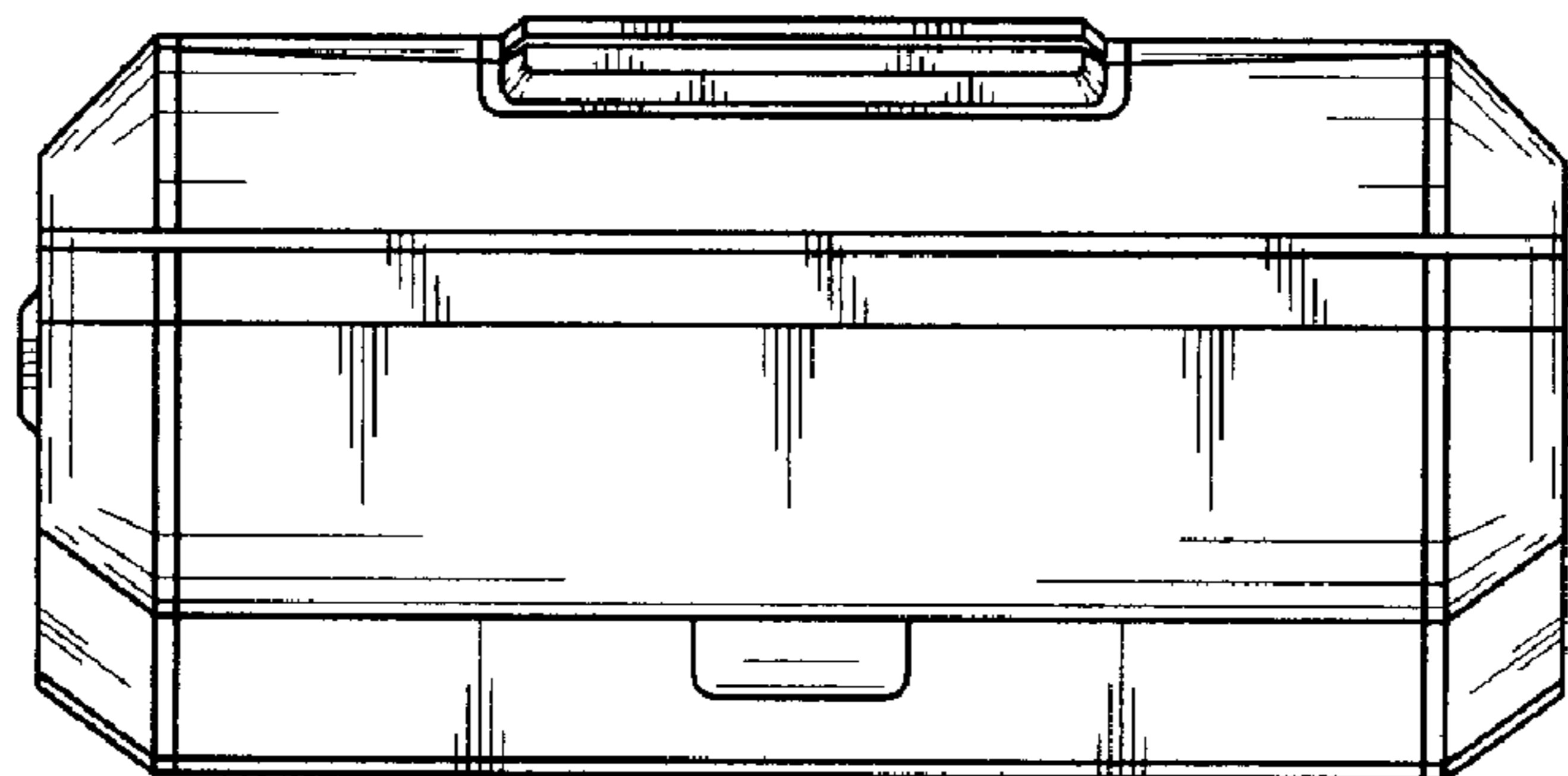


FIG. 7