

US00D548709S

(12) **United States Design Patent**
Hakoda

(10) **Patent No.:** **US D548,709 S**

(45) **Date of Patent:** **** Aug. 14, 2007**

(54) **COMBINED DISC PLAYER AND AMPLIFIER**

D512,974 S * 12/2005 Nasrallah D14/136

(75) Inventor: **Katsuhisa Hakoda**, Tokyo (JP)

FOREIGN PATENT DOCUMENTS

(73) Assignee: **Sony Corporation**, Tokyo (JP)

JP D1216346 S 9/2004

(**) Term: **14 Years**

OTHER PUBLICATIONS

(21) Appl. No.: **29/251,804**

OHIM-000020870-0002, Jul. 22, 2003, Sony Corporation.
Office Action mailed on Jan. 10, 2007 (Russia).

(22) Filed: **Jan. 13, 2006**

* cited by examiner

(30) **Foreign Application Priority Data**

Primary Examiner—Nanda Bondade

Sep. 9, 2005 (JP) D2005-026112

(74) *Attorney, Agent, or Firm*—Rader, Fishman & Grauer
PLLC

(51) **LOC (8) Cl.** **14-01**

(57) **CLAIM**

(52) **U.S. Cl.** **D14/136**

The ornamental design for a combined disc player and
amplifier, as shown and described.

(58) **Field of Classification Search** D14/135–136,
D14/156–157, 160–165, 167–168, 193–198,
D14/188, 217, 257, 258, 445; 360/99.02,
360/99.07; 720/612, 619, 647, 655; 455/344,
455/347–351; 369/77.11, 75.11, 75.21, 77.21
See application file for complete search history.

DESCRIPTION

FIG. 1 is a perspective view of a combined disc player and
amplifier showing my new design;

(56) **References Cited**

U.S. PATENT DOCUMENTS

5,859,828 A * 1/1999 Ishibashi 720/655
D407,393 S 3/1999 Kazama
D418,130 S 12/1999 Iribe
D431,033 S 9/2000 Takahashi et al.
D479,519 S * 9/2003 Hisatsune D14/168
D501,193 S 1/2005 Tsuge
D512,037 S * 11/2005 Huang D14/136

FIG. 2 is a front elevational view thereof; and

FIG. 3 is a left side elevational view thereof;

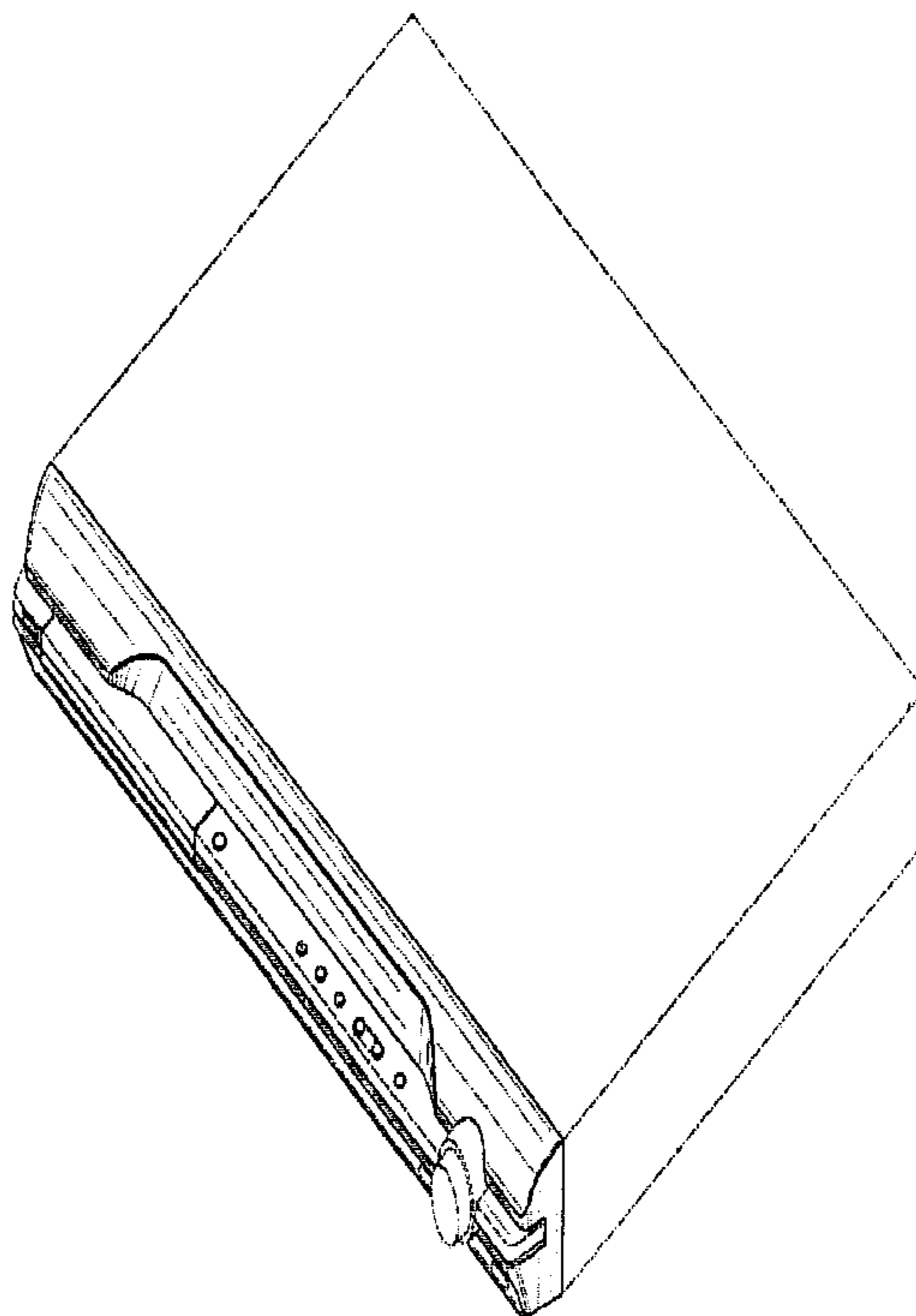
FIG. 4 is a right side elevational view thereof;

FIG. 5 is a top plan view thereof; and,

FIG. 6 is a bottom plan view thereof.

Portions of FIGS. 1–6 that are shown as broken lines are for
illustrative purpose only and form no part of the claimed
design.

1 Claim, 6 Drawing Sheets



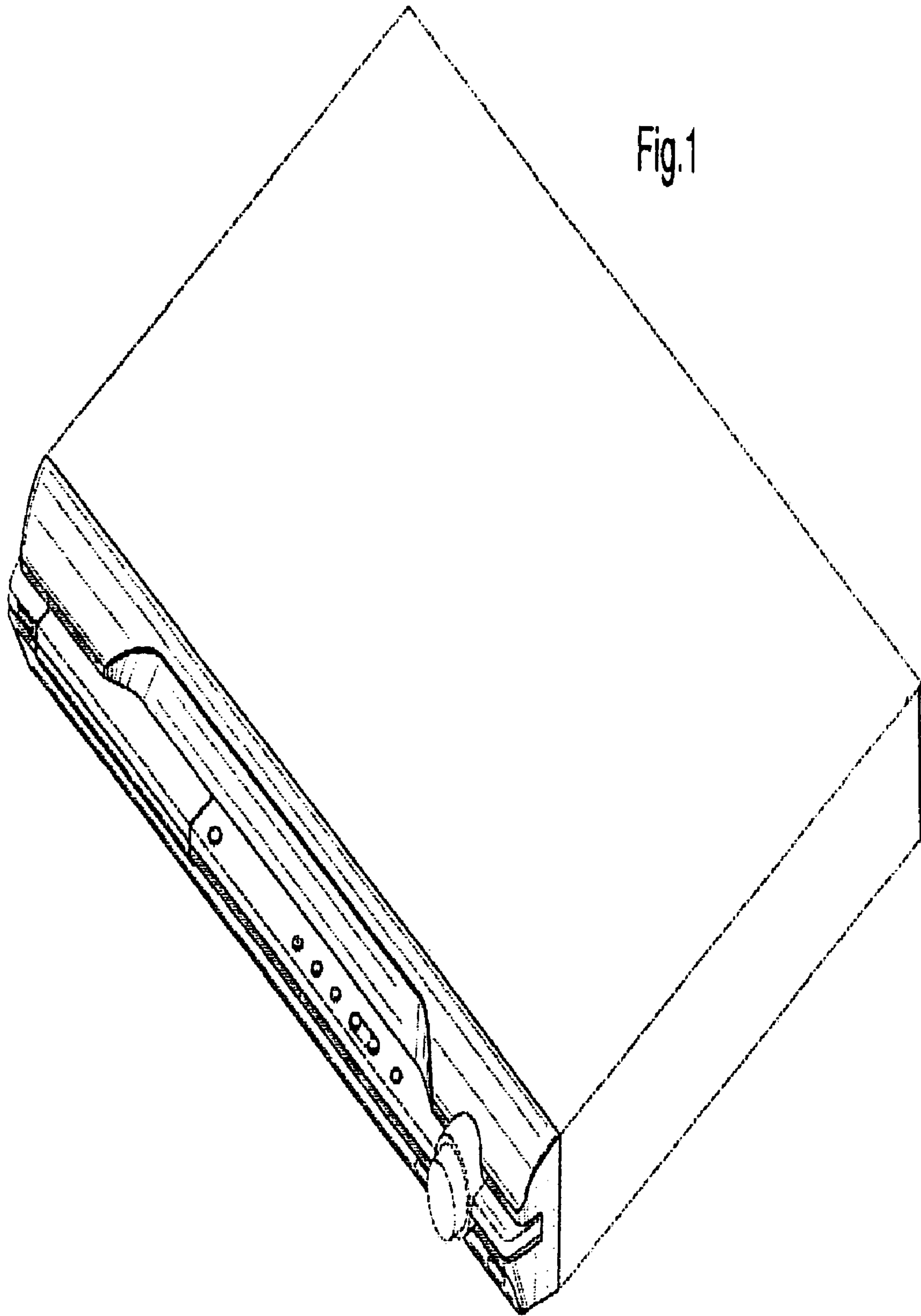


Fig. 1

Fig.2

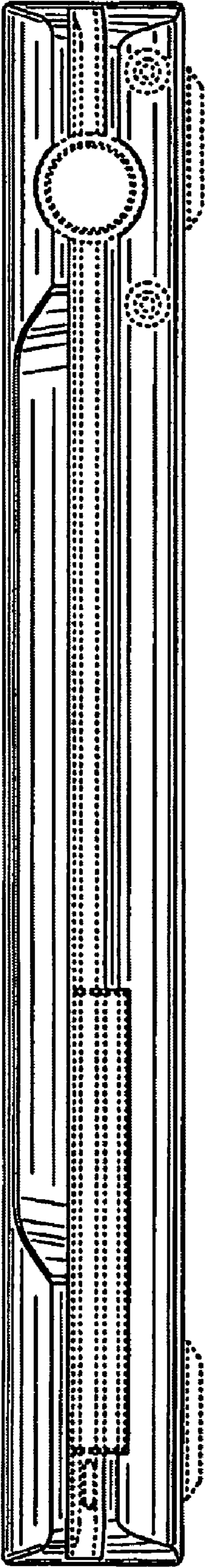


Fig.3

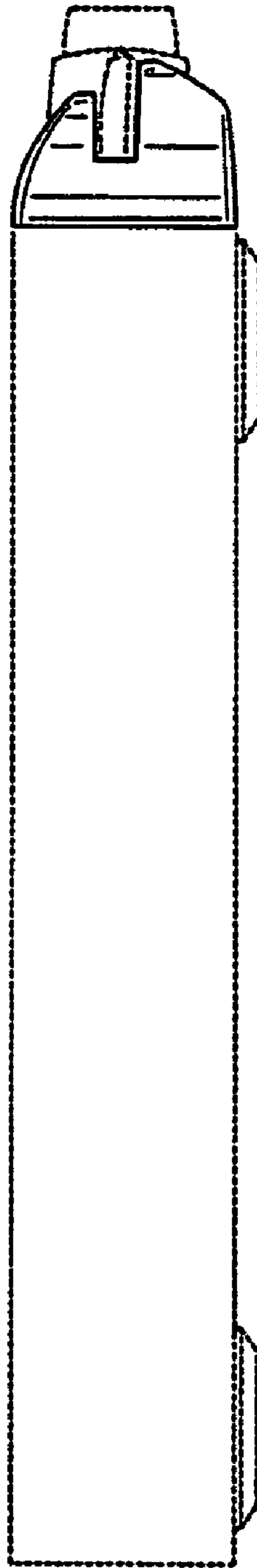
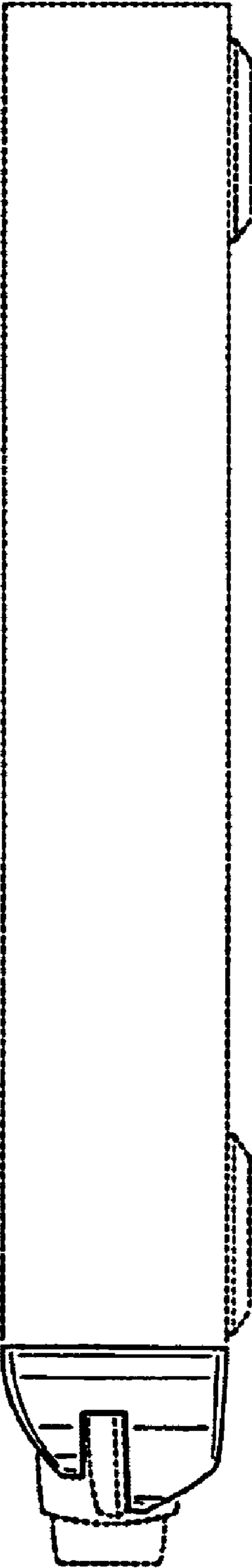


Fig.4



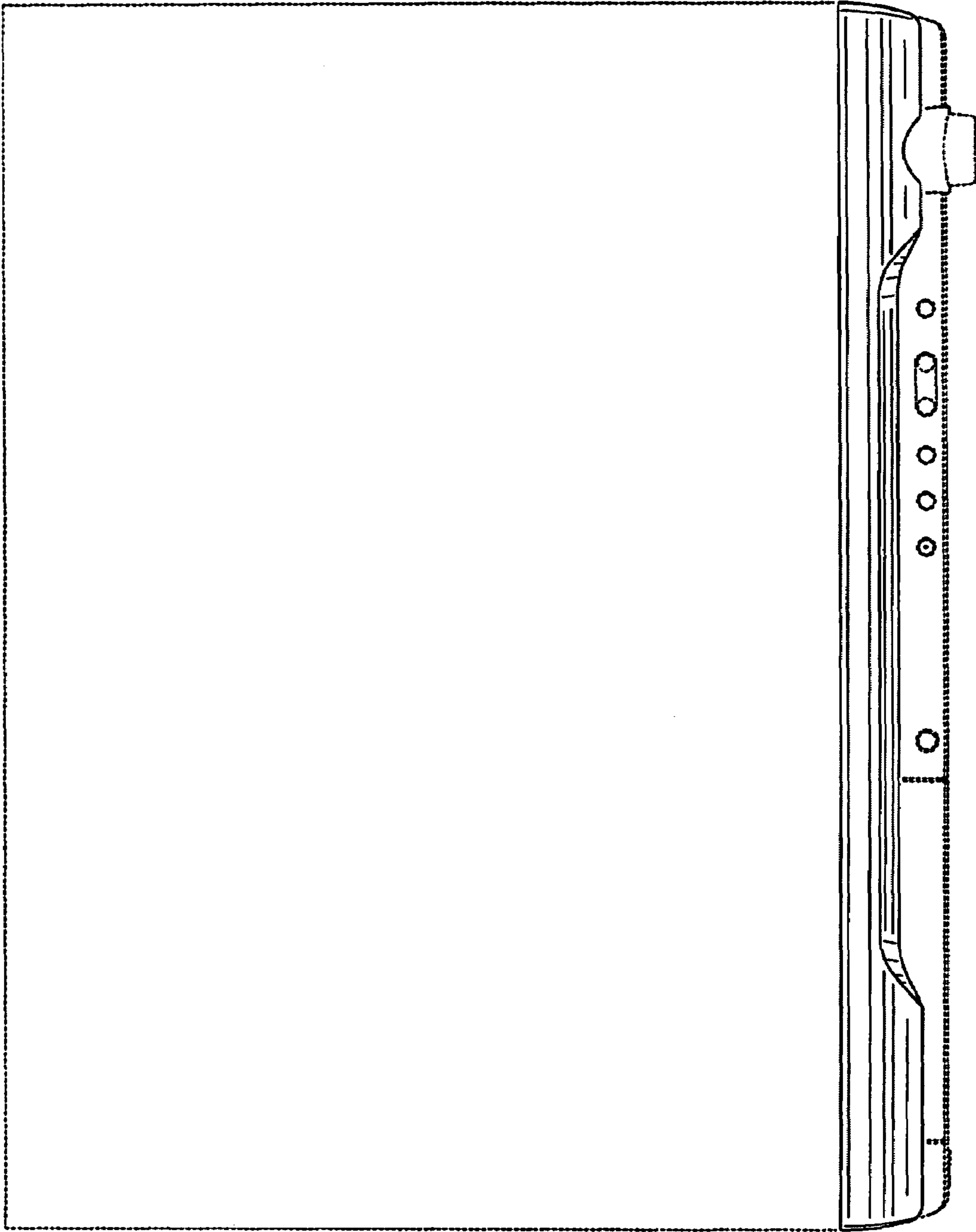


Fig.5

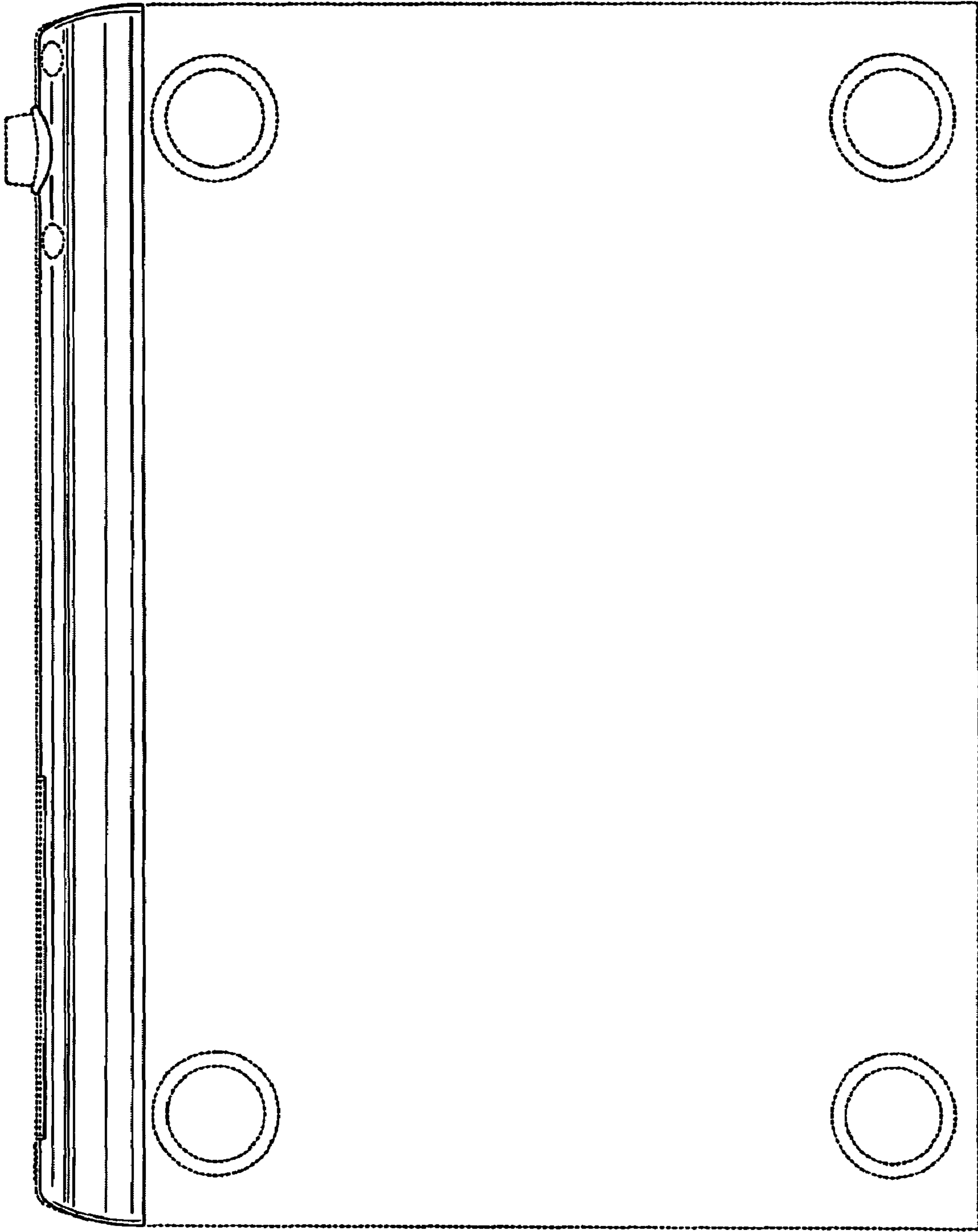


Fig.6