

US00D548708S

(12) **United States Design Patent**
Park et al.

(10) **Patent No.: US D548,708 S**

(45) **Date of Patent: ** Aug. 14, 2007**

(54) **PDP TV RECEIVER**

(75) Inventors: **Eung Kyu Park**, Seoul (KR); **Jun Ho Yang**, Kyungki-Do (KR)

(73) Assignee: **Samsung Electronics Co., Ltd.** (KR)

(**) Term: **14 Years**

(21) Appl. No.: **29/232,439**

(22) Filed: **Jun. 17, 2005**

(30) **Foreign Application Priority Data**

Apr. 21, 2005 (KR) 30-2005-0013244

(51) **LOC (8) Cl.** **14-03**

(52) **U.S. Cl.** **D14/126**

(58) **Field of Classification Search** D14/125-134,
D14/239, 371, 136, 374-377; 312/7.2; 348/836,
348/838, 180, 184, 325, 739; 341/12; 248/917-924,
248/465; 345/104, 133, 156, 168, 87, 173;
720/605, 669, 600, 655; 369/99, 197; 455/344-347
See application file for complete search history.

(56) **References Cited**

U.S. PATENT DOCUMENTS

D419,977 S * 2/2000 Chuo D14/375
D460,425 S * 7/2002 Joe D14/126

D498,214 S * 11/2004 Ahn et al. D14/126
D534,138 S * 12/2006 Lee et al. D14/126

* cited by examiner

Primary Examiner—Raphael Barkai

(74) *Attorney, Agent, or Firm*—Irving Keschner

(57) **CLAIM**

The ornamental design for PDP TV receiver, as shown.

DESCRIPTION

FIG. 1 is a perspective view of the ornamental design of the present invention;

FIG. 2 is a front elevational view of the ornamental design of the present invention;

FIG. 3 is a rear elevational view of the ornamental design of the present invention;

FIG. 4 is a left side elevational view of the ornamental design of the present invention;

FIG. 5 is a right side elevational view of the ornamental design of the present invention;

FIG. 6 is a top plan view of the ornamental design of the present invention; and,

FIG. 7 is a bottom view of the ornamental design of the present invention.

1 Claim, 4 Drawing Sheets

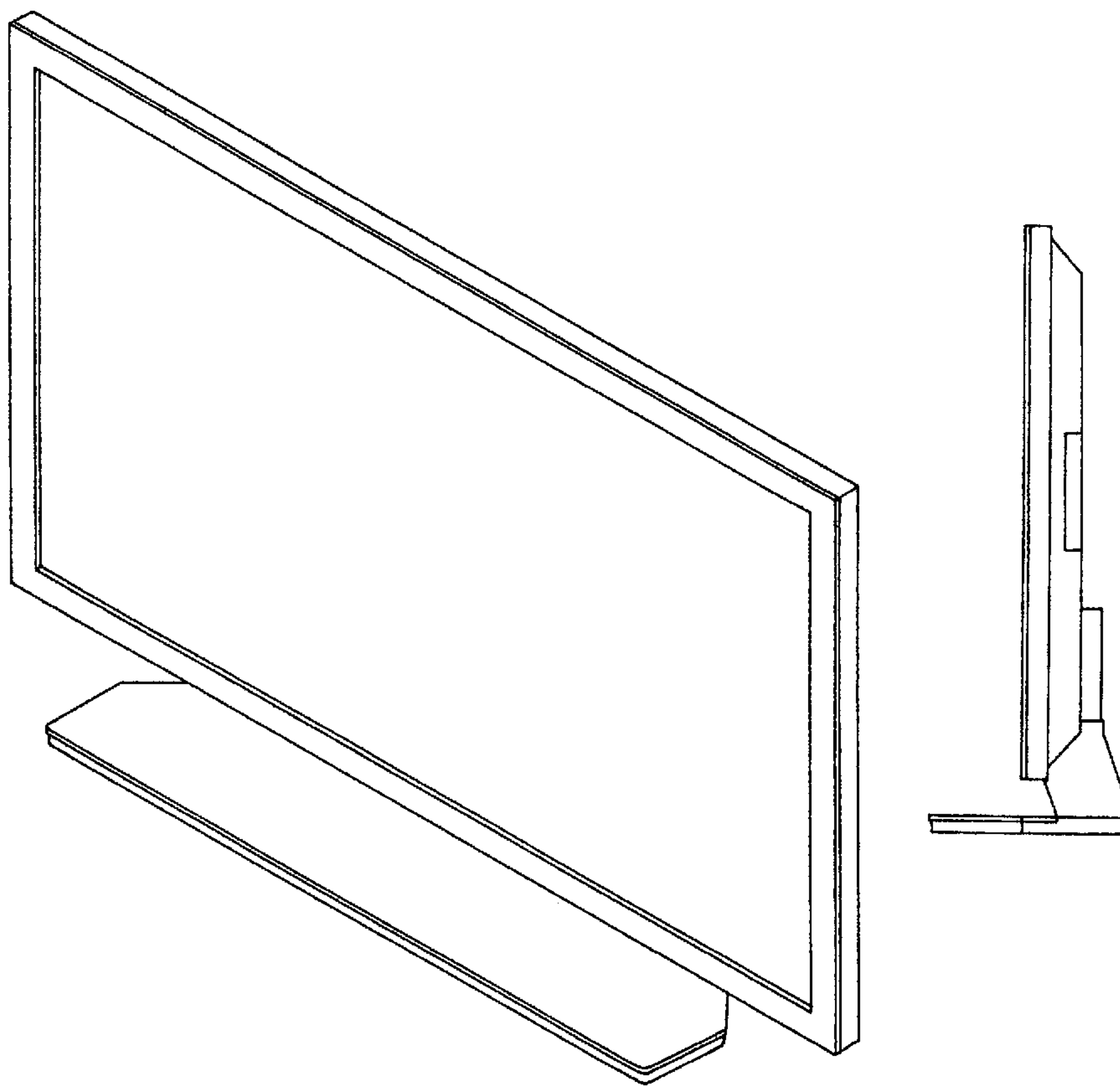


FIG. 1

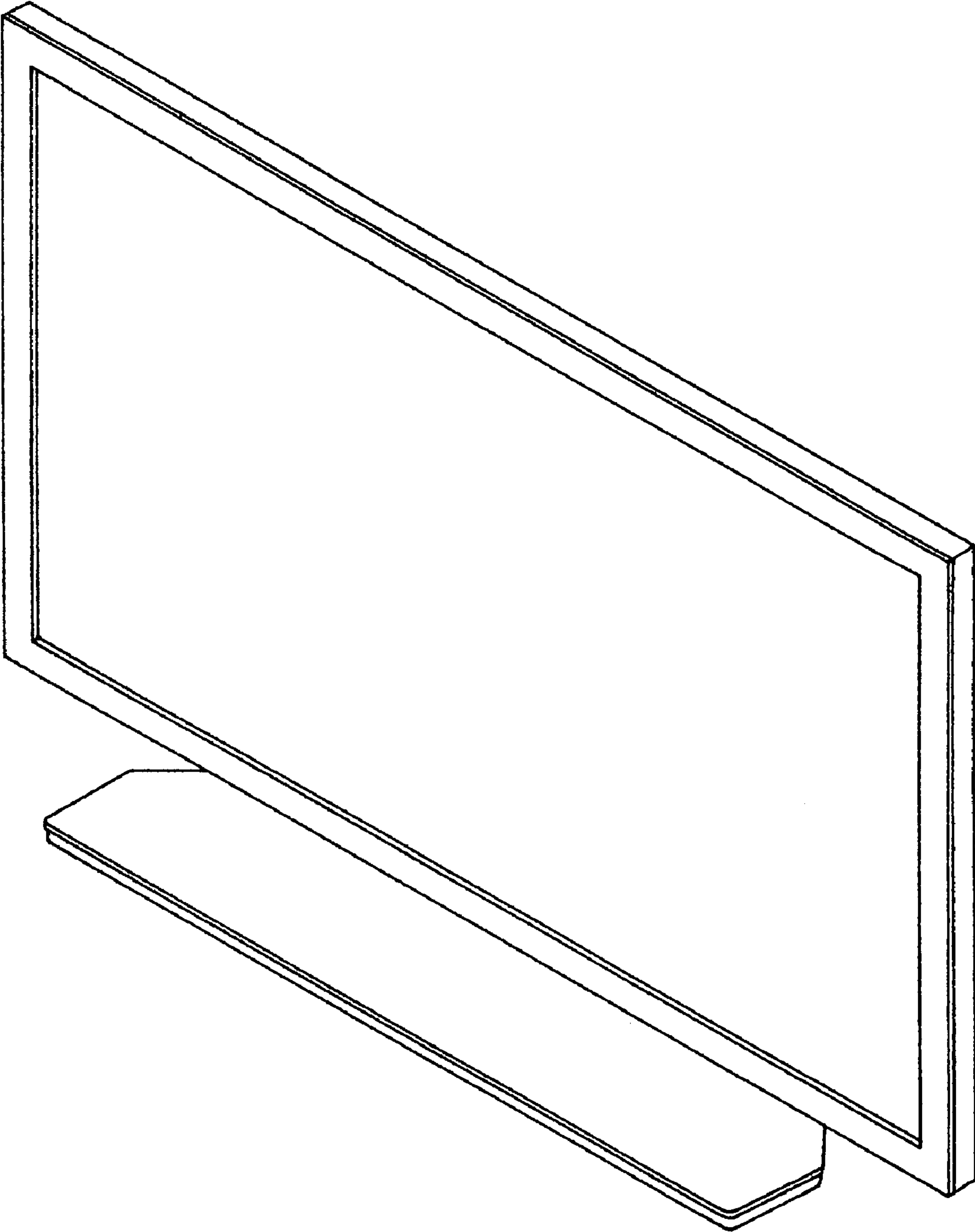


FIG. 2

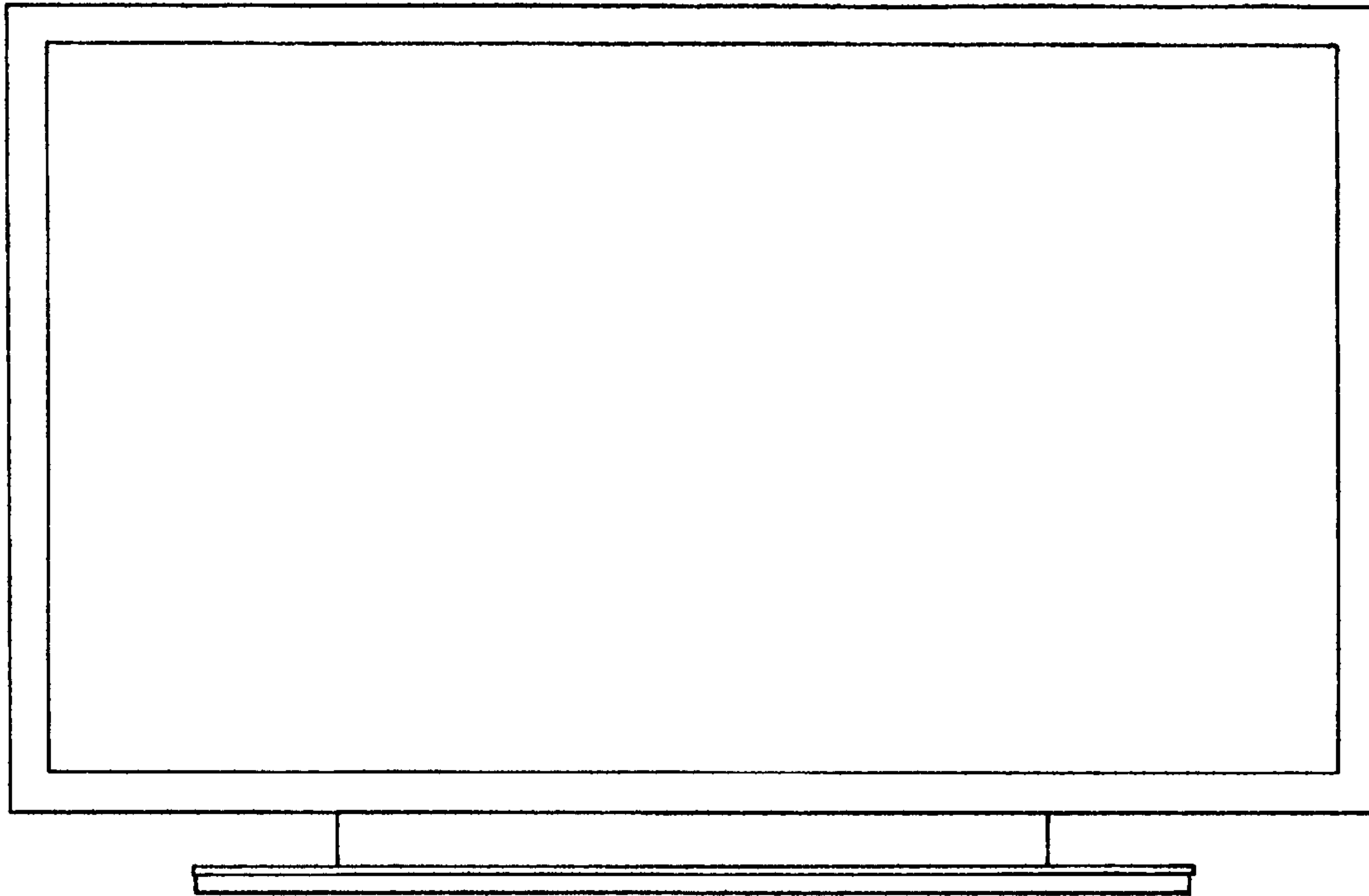


FIG. 3

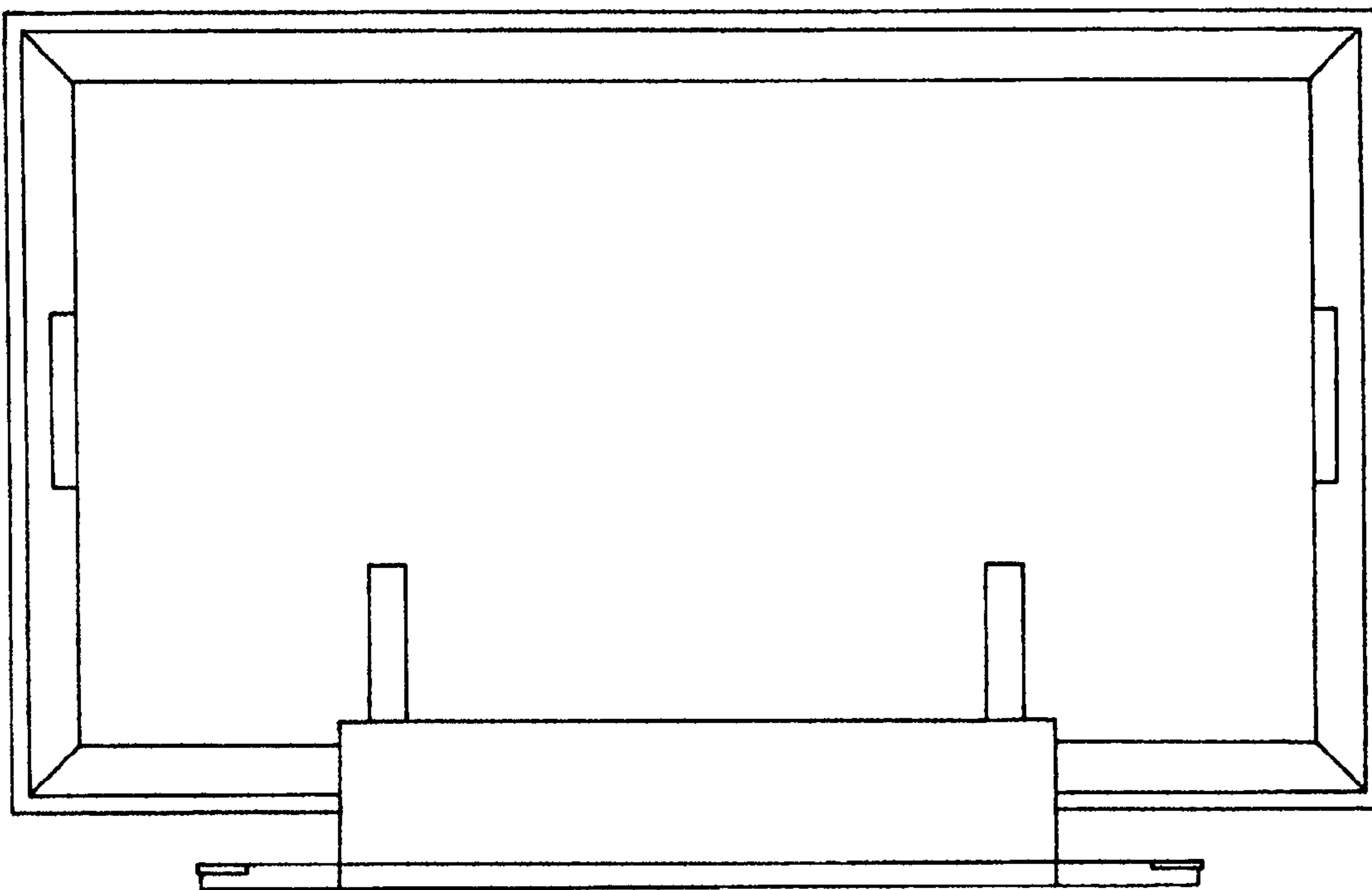


FIG. 4

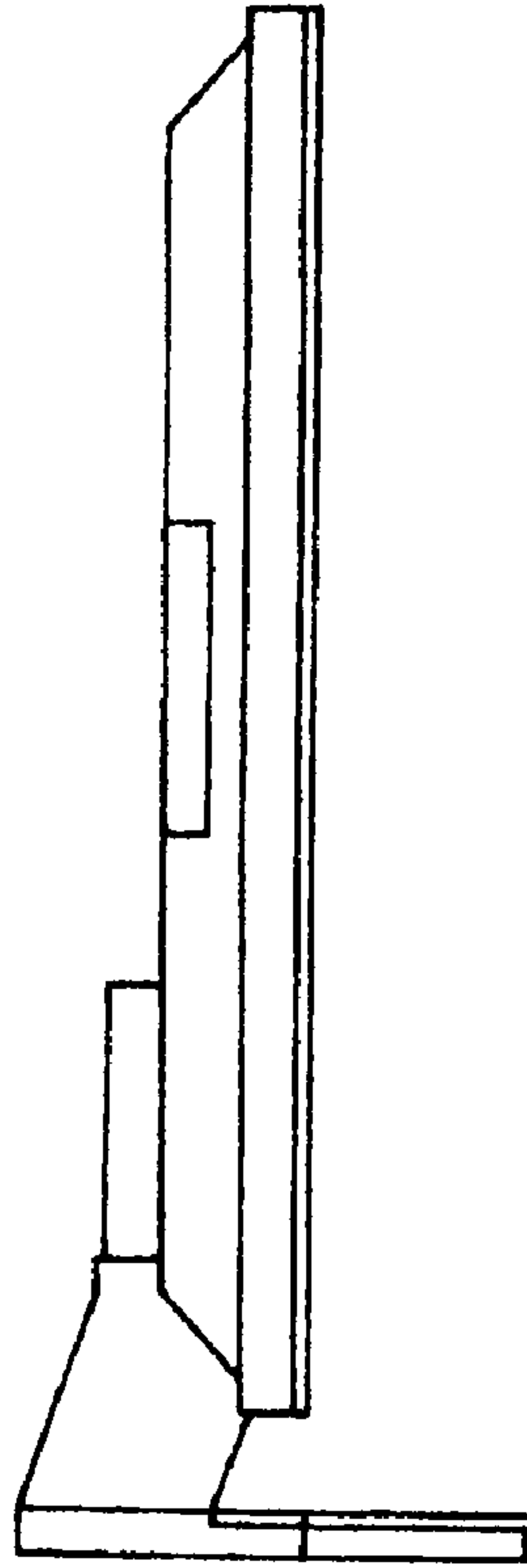


FIG. 5

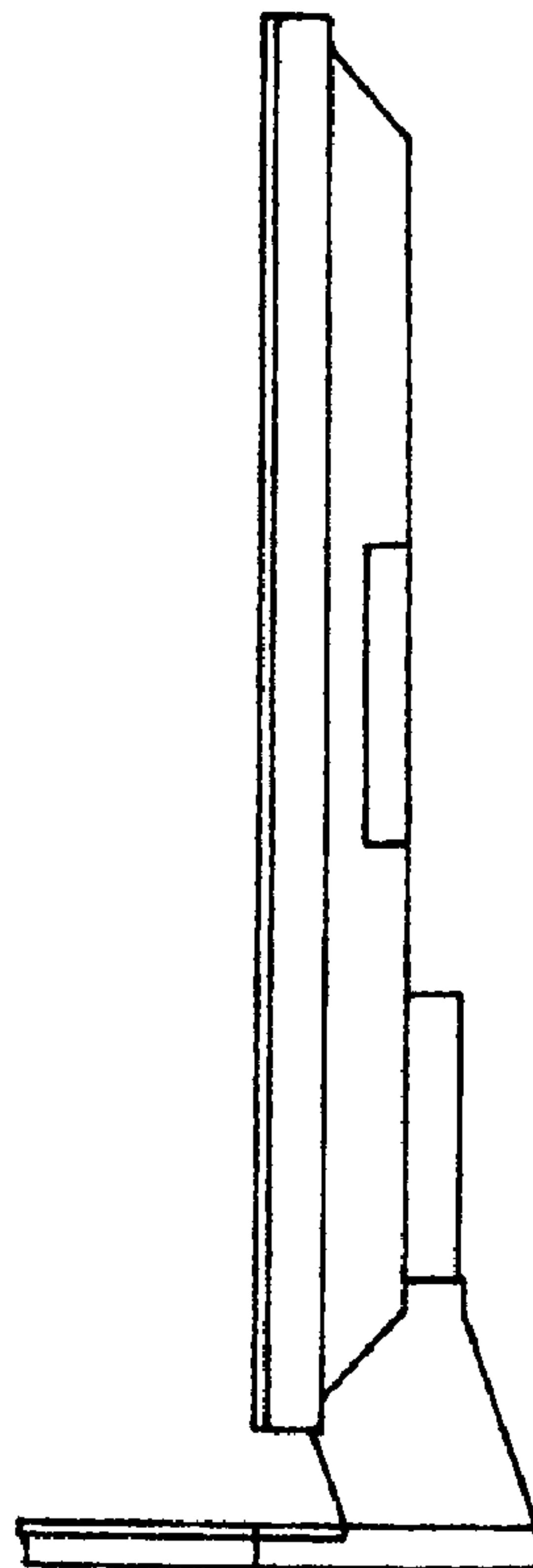


FIG. 6

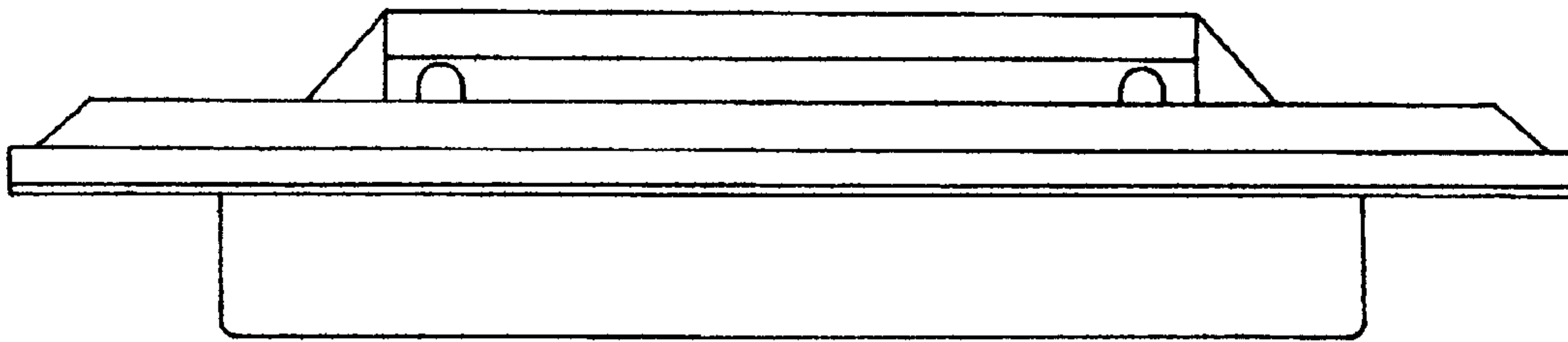


FIG. 7

