

US00D548707S

(12) **United States Design Patent**
Lee

(10) **Patent No.:** **US D548,707 S**

(45) **Date of Patent:** **** Aug. 14, 2007**

(54) **LCD TELEVISION MONITOR**

D497,352 S * 10/2004 Asanuma et al. D14/126
D505,926 S * 6/2005 Inoue et al. D14/126
D506,189 S * 6/2005 Buckle D14/126

(75) Inventor: **Young A Lee**, Seoul (KR)

(73) Assignee: **LG Electronics Inc.**, Seoul (KR)

* cited by examiner

(**) Term: **14 Years**

Primary Examiner—Raphael Barkai
(74) *Attorney, Agent, or Firm*—Birch, Stewart, Kolasch & Birch, LLP

(21) Appl. No.: **29/227,969**

(22) Filed: **Apr. 19, 2005**

(57) **CLAIM**

(30) **Foreign Application Priority Data**

The ornamental design for a LCD television monitor, as shown and described.

Oct. 20, 2004 (KR) 30-2004-0032162

(51) **LOC (8) Cl.** **14-03**

(52) **U.S. Cl.** **D14/126**

(58) **Field of Classification Search** D14/125-134,
D14/239, 371, 136, 374-377; 312/7.2; 348/836,
348/838, 180, 184, 325, 739; 341/12; 248/917-924,
248/465; 345/104, 133, 156, 168, 87, 173;
720/605, 669, 600, 655; 369/99, 197; 455/344-347
See application file for complete search history.

DESCRIPTION

FIG. 1 is a perspective view of a LCD television monitor showing my new design;
FIG. 2 is a front view thereof;
FIG. 3 is a rear view thereof;
FIG. 4 is a left side view thereof;
FIG. 5 is a right side view thereof;
FIG. 6 is a top plan view thereof; and,
FIG. 7 is a bottom plan view thereof.

(56) **References Cited**

U.S. PATENT DOCUMENTS

D483,020 S * 12/2003 Nagao et al. D14/126

1 Claim, 6 Drawing Sheets

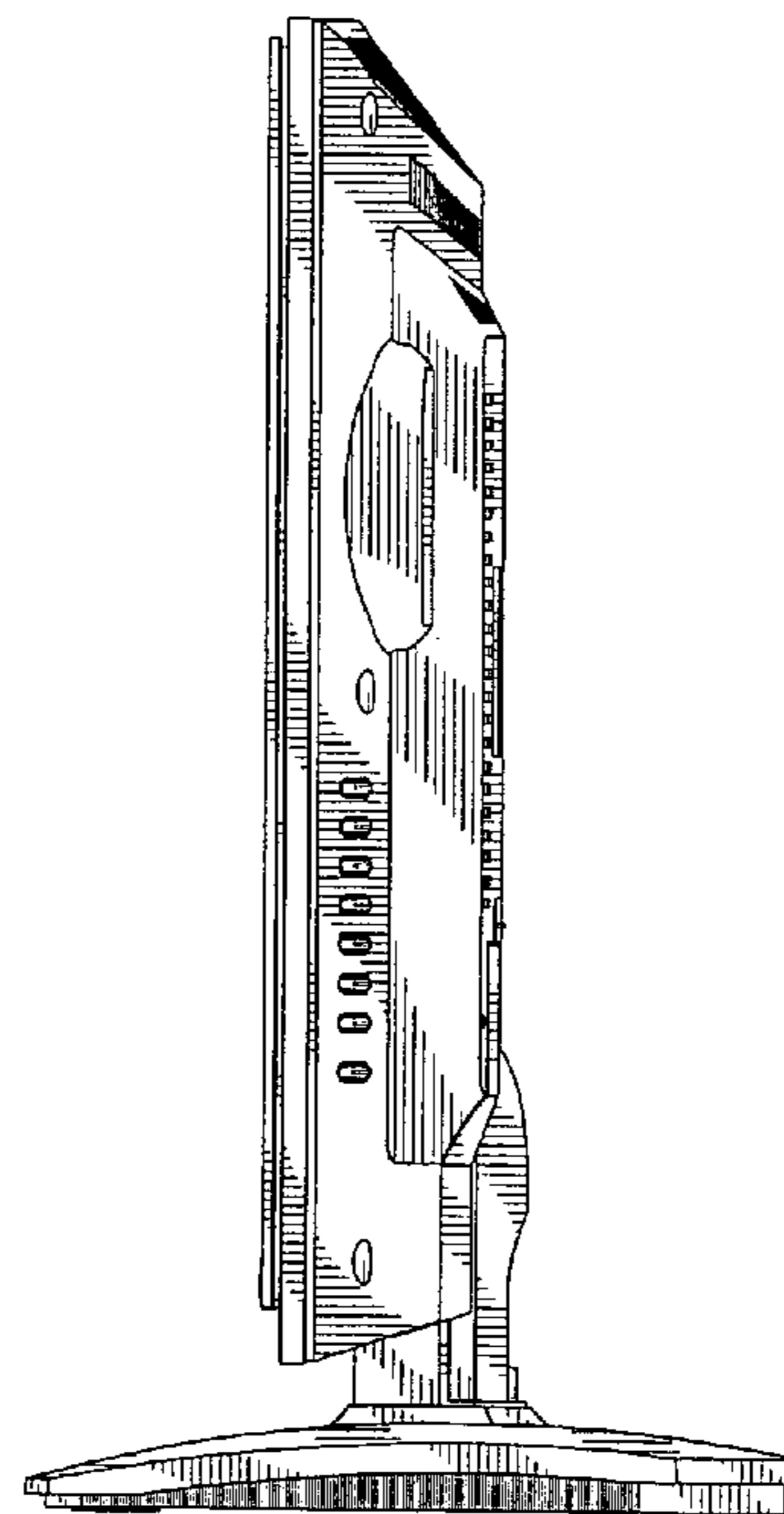
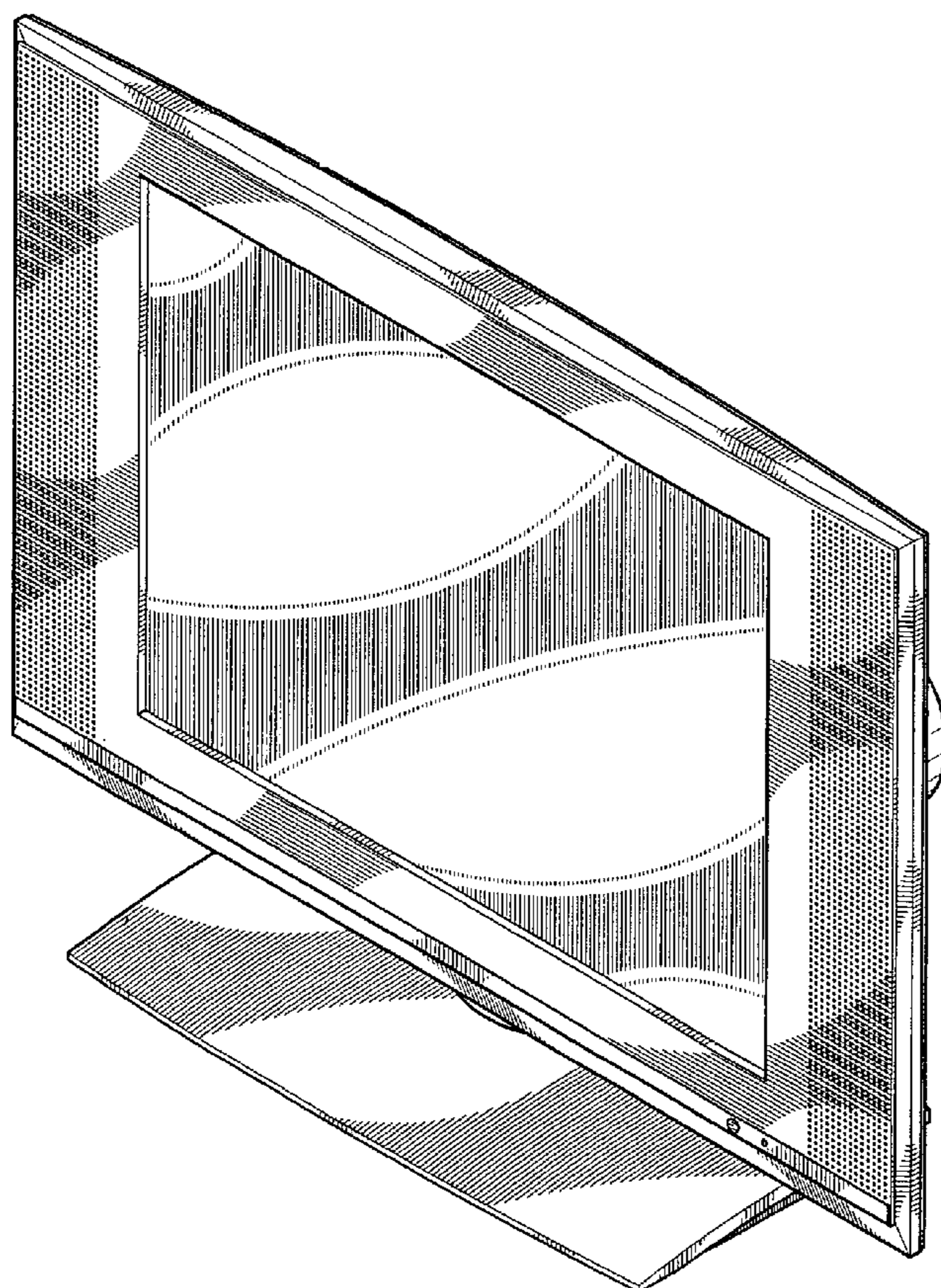


FIG. 1

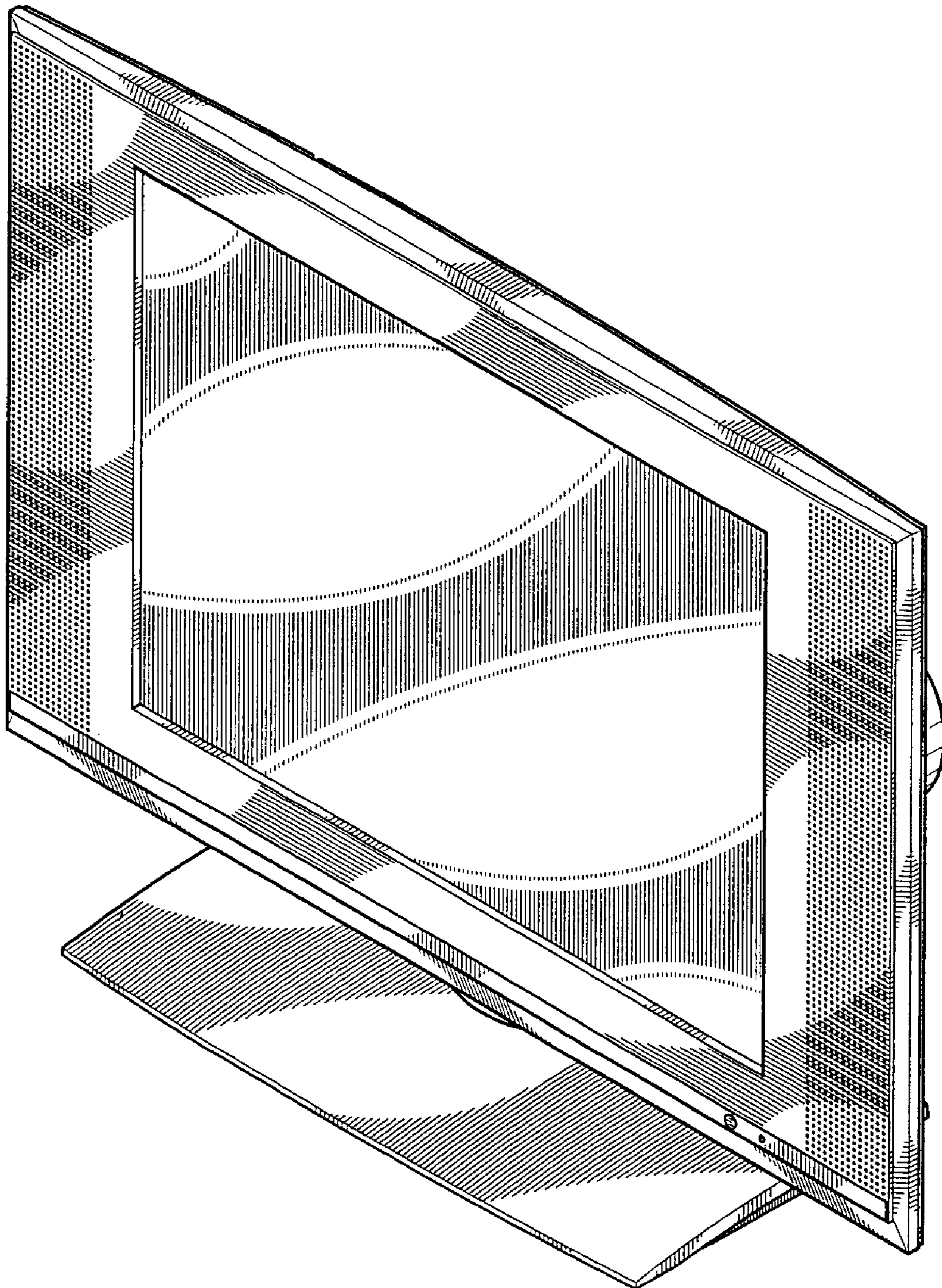


FIG. 2

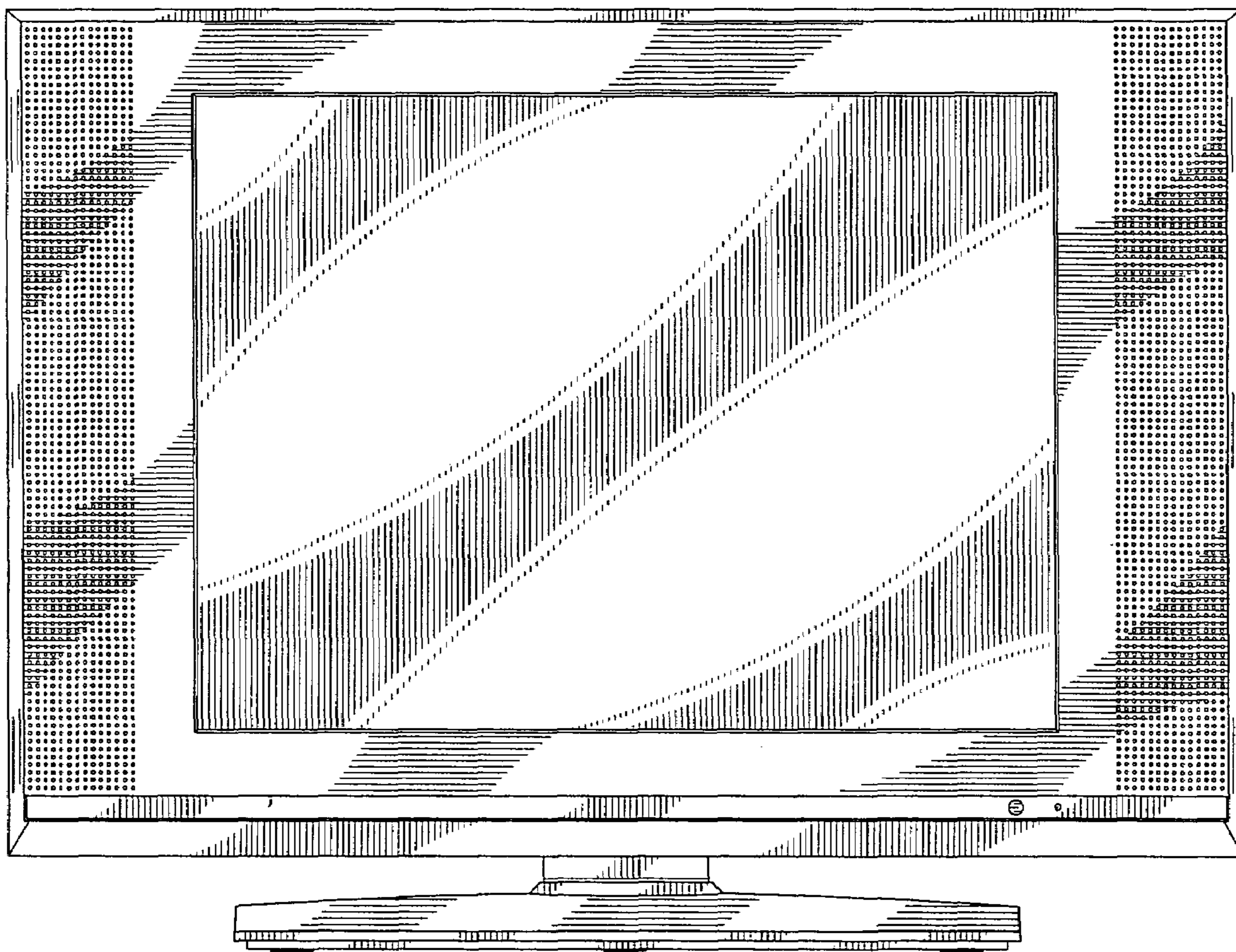


FIG. 3

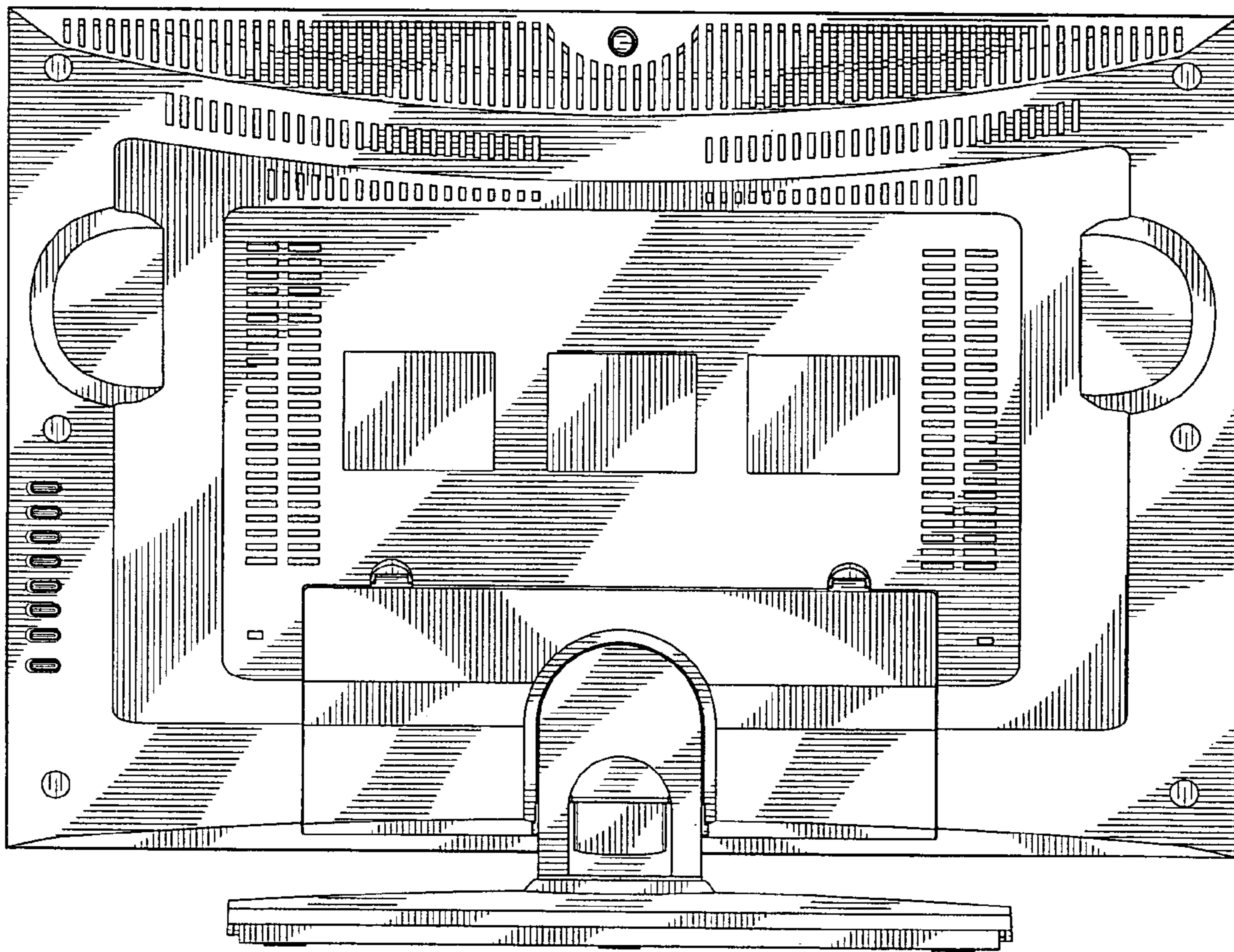


FIG. 4

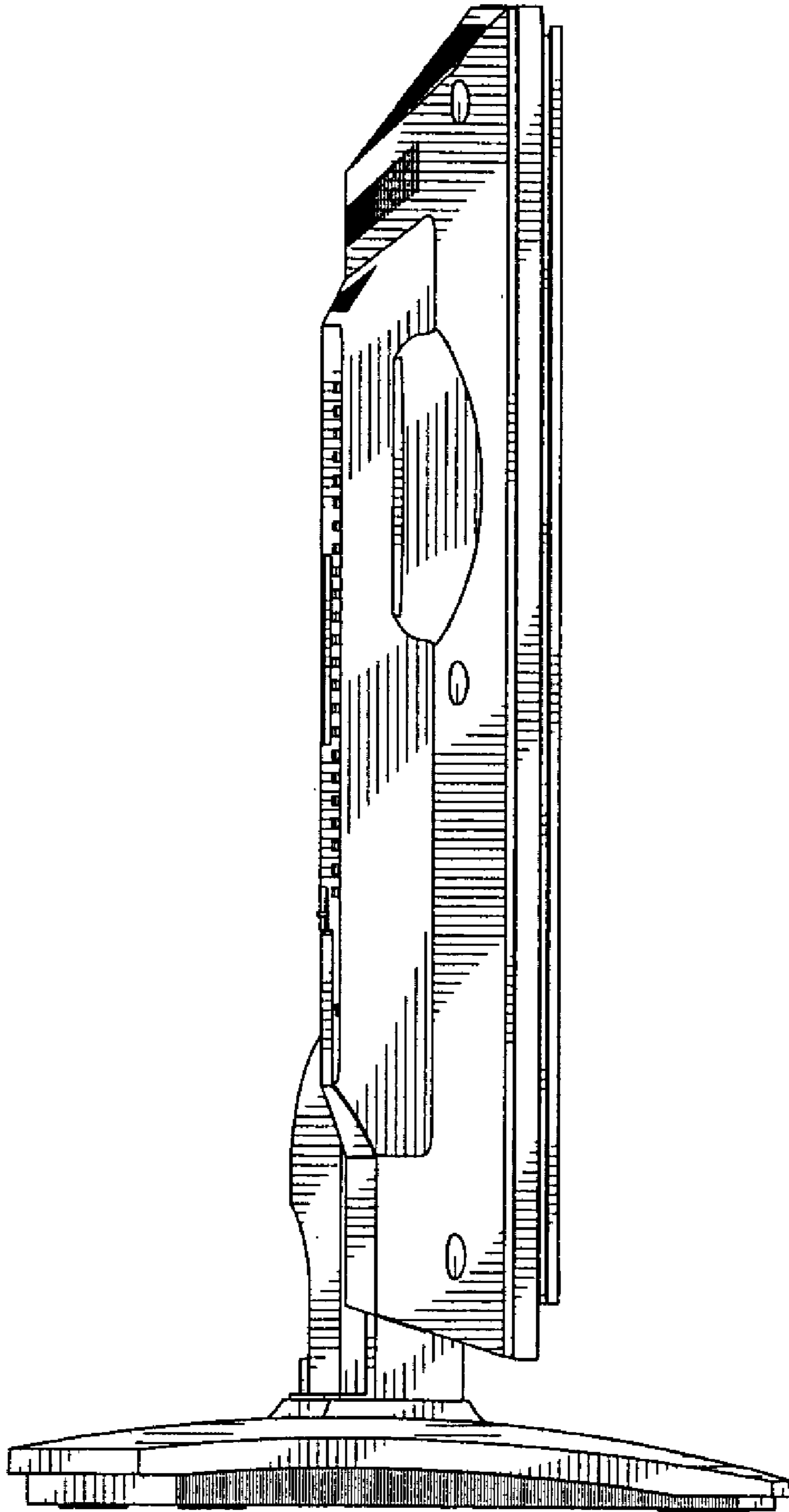


FIG. 5

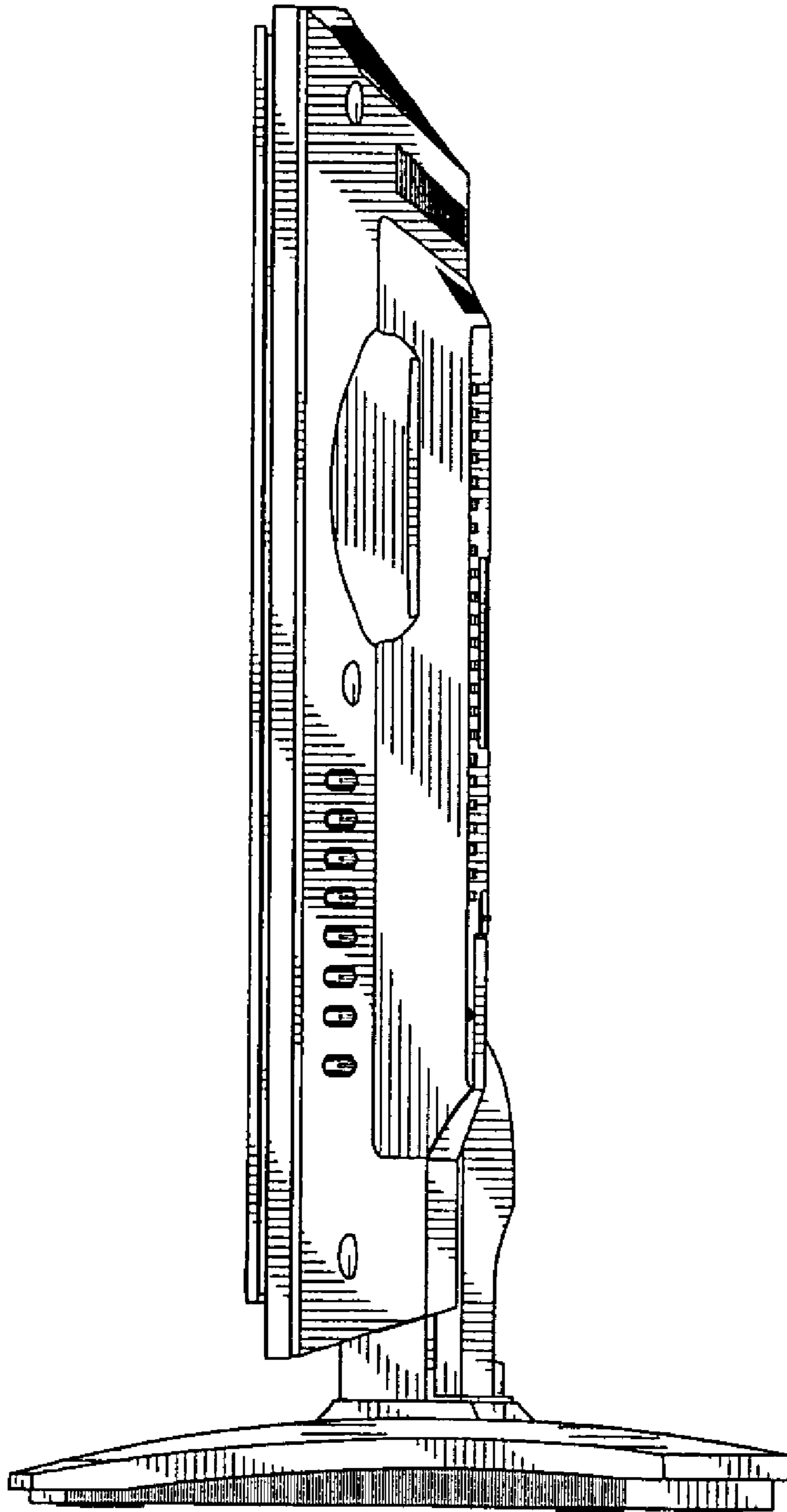


FIG. 6

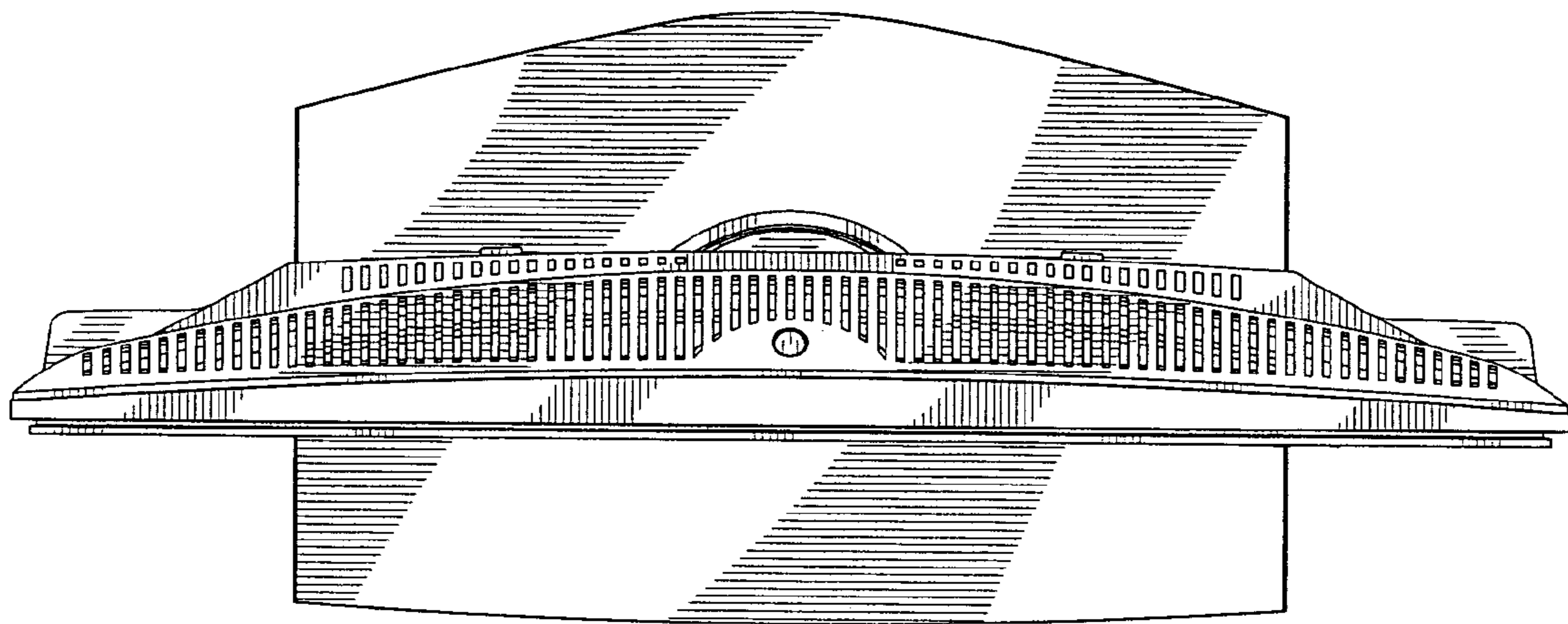


FIG. 7

