



US00D548699S

(12) **United States Design Patent**  
**Eto et al.**

(10) **Patent No.:** **US D548,699 S**

(45) **Date of Patent:** **\*\* Aug. 14, 2007**

(54) **STORAGE BATTERY**

(75) Inventors: **Toyohiko Eto**, Toyota (JP); **Shinji Hamada**, Toyohashi (JP); **Tomohiro Matsuura**, Toyota (JP); **Takashi Asahina**, Toyohashi (JP)

(73) Assignee: **Toyota Jidosha Kabushiki Kaisha**, Aichi (JP)

(\*\*) Term: **14 Years**

(21) Appl. No.: **29/238,546**

(22) Filed: **Sep. 15, 2005**

(30) **Foreign Application Priority Data**

Mar. 16, 2005 (JP) ..... 2005-007849

(51) **LOC (8) Cl.** ..... **13-02**

(52) **U.S. Cl.** ..... **D13/120**

(58) **Field of Classification Search** ..... D13/102-106,  
D13/110, 118-121, 133, 154, 184; 429/96-100,  
429/163, 176

See application file for complete search history.

(56) **References Cited**

**U.S. PATENT DOCUMENTS**

- D118,923 S \* 2/1940 Williams ..... D13/133
- D118,924 S \* 2/1940 Williams ..... D13/154
- D214,379 S \* 6/1969 Wolf et al. .... D13/119
- 3,864,172 A \* 2/1975 Marks ..... 429/1
- D251,781 S \* 5/1979 Hutton ..... D13/133

- D372,459 S \* 8/1996 Tiberio et al. .... D13/146
- 6,887,618 B2 \* 5/2005 Shelekhin et al. .... 429/175
- D513,606 S \* 1/2006 Yamane ..... D13/149
- 2004/0241541 A1 \* 12/2004 Watanabe et al. .... 429/163
- 2006/0057461 A1 \* 3/2006 Hamada et al. .... 429/181
- 2006/0166087 A1 \* 7/2006 Ogata et al. .... 429/153

\* cited by examiner

*Primary Examiner*—Alan P. Douglas

*Assistant Examiner*—Rosemary K. Tarcza

(74) *Attorney, Agent, or Firm*—Jordan and Hamburg LLP

(57) **CLAIM**

We claim the ornamental design for a storage battery, as shown and described.

**DESCRIPTION**

FIG. 1 is a front elevational view of a storage battery showing the present design;

FIG. 2 is a top plan view thereof;

FIG. 3 is a bottom plan view thereof;

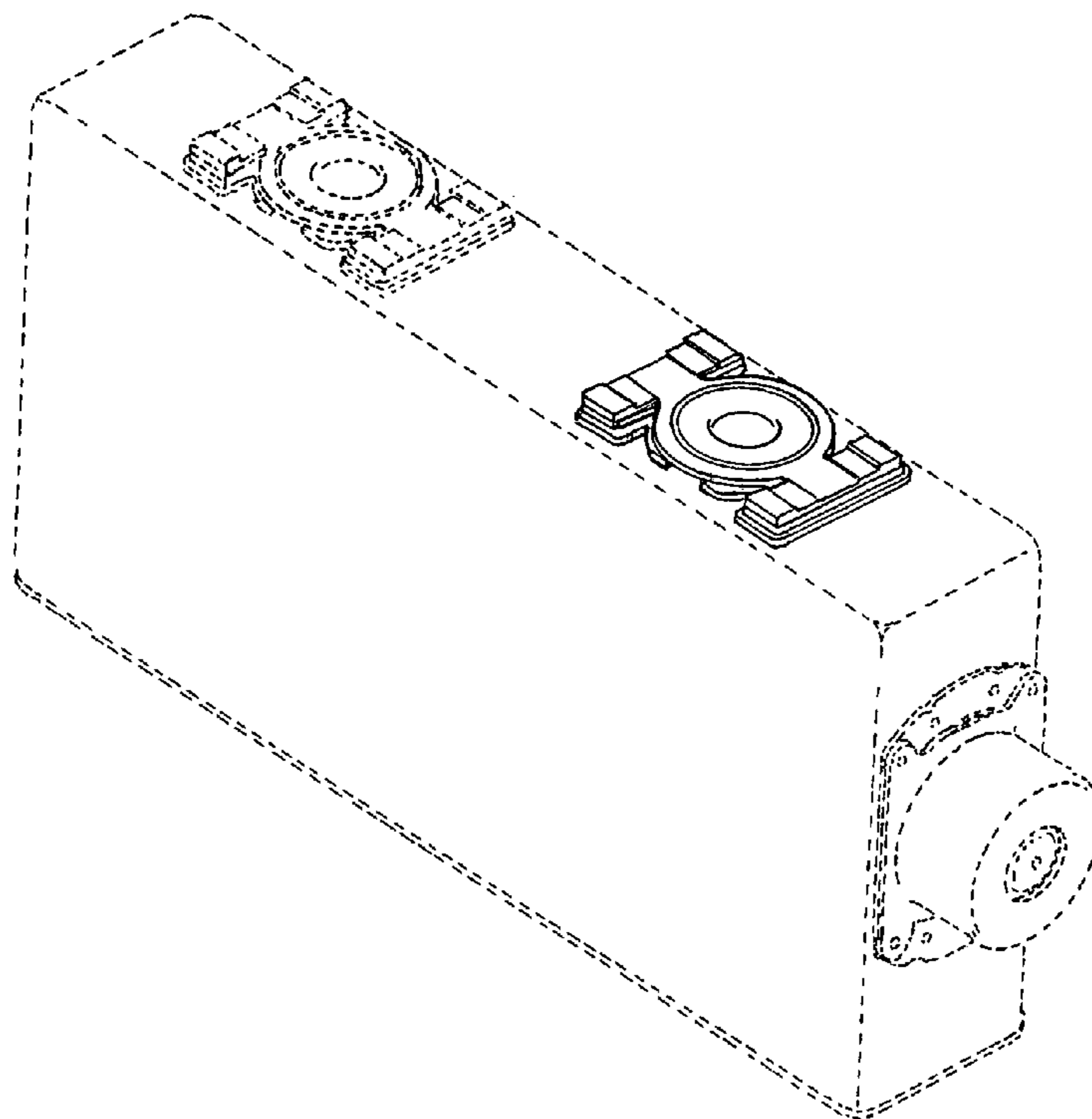
FIG. 4 is a left side elevational view thereof;

FIG. 5 is a perspective view thereof; and,

FIG. 6 is a cross-sectional view along line VI-VI in FIG. 4.

Note that a rear elevational view is omitted since it is symmetrical to a front elevational view. Also note that the part illustrated by solid lines is directed to the article of the present invention. The broken line showing is for illustrative purposes only and forms no part of the claimed design.

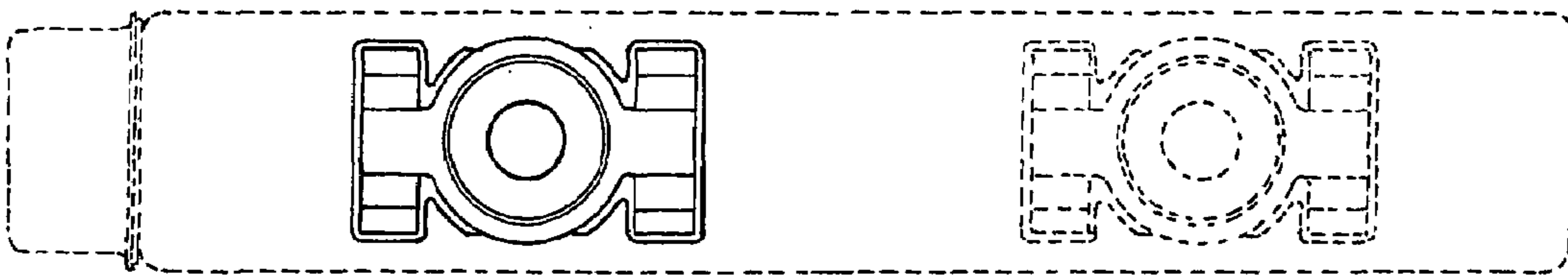
**1 Claim, 4 Drawing Sheets**



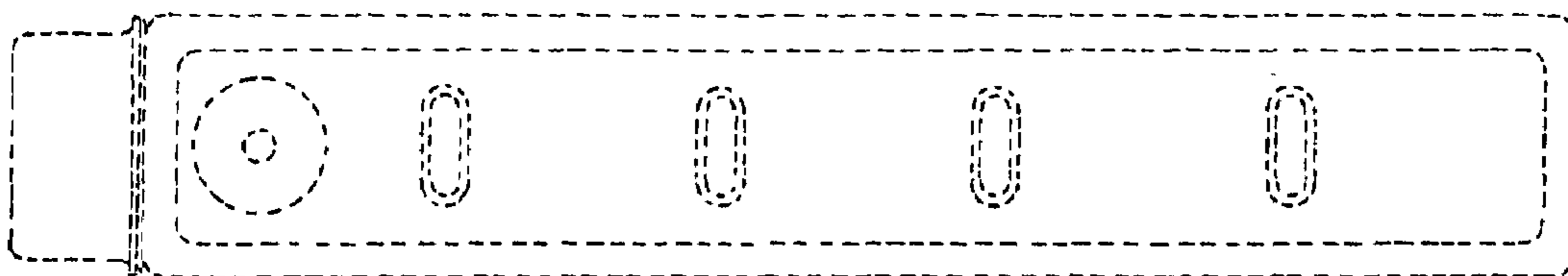
*Fig. 1*



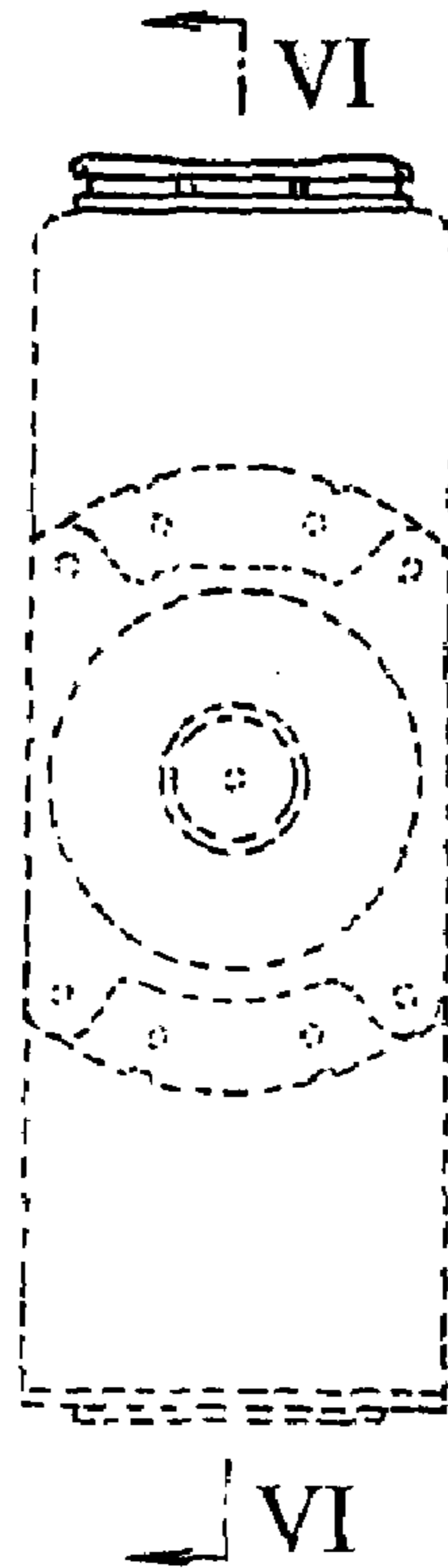
*Fig. 2*



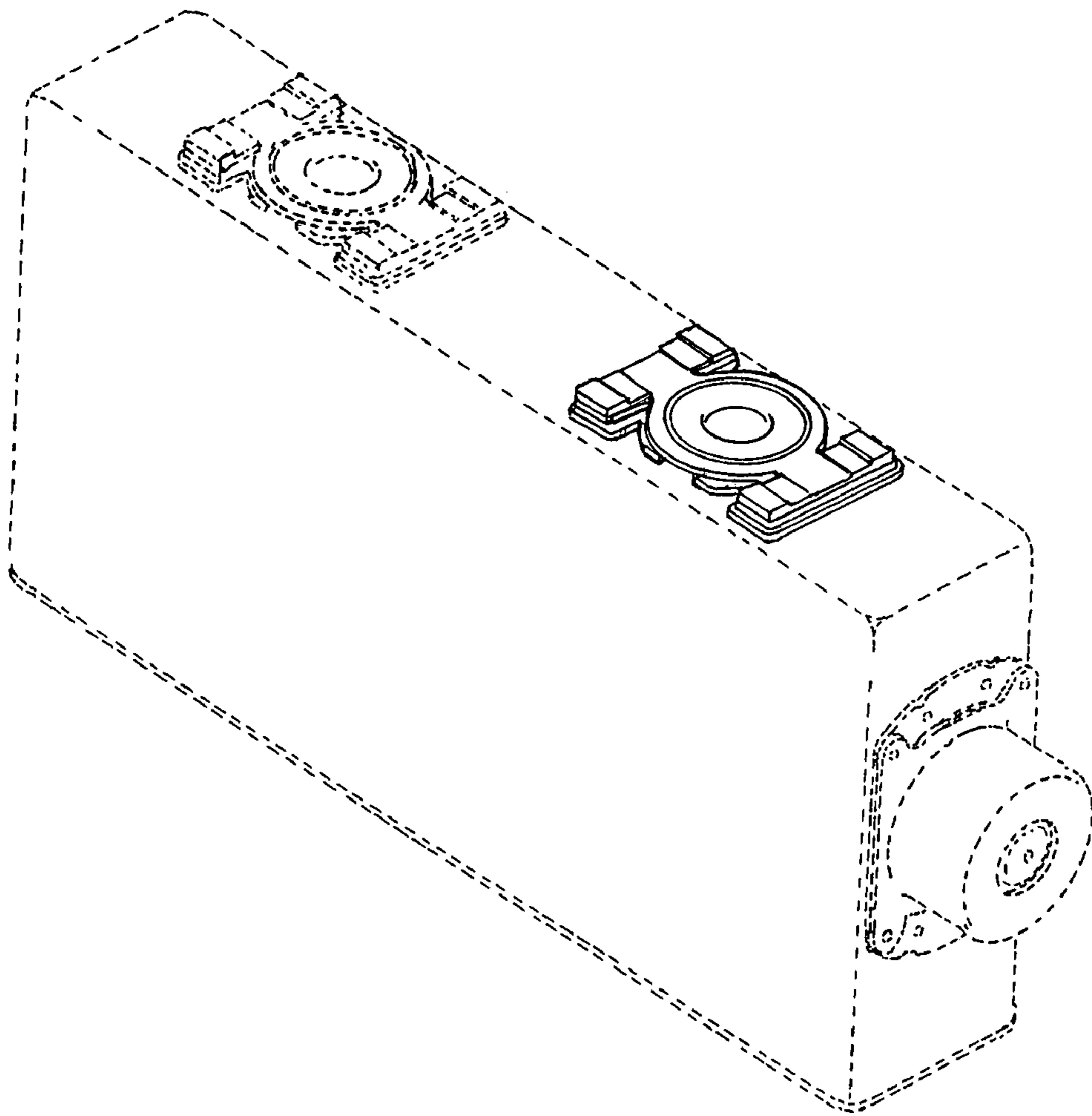
*Fig. 3*



*Fig. 4*



*Fig. 5*



*Fig. 6*

