

US00D548698S

(12) **United States Design Patent**  
**Eto et al.**

(10) **Patent No.:** **US D548,698 S**

(45) **Date of Patent:** **\*\* Aug. 14, 2007**

(54) **STORAGE BATTERY**

(75) Inventors: **Toyohiko Eto**, Toyota (JP); **Shinji Hamada**, Toyohashi (JP); **Tomohiro Matsuura**, Toyota (JP); **Takashi Asahina**, Toyohashi (JP); **Hiroyuki Miyamoto**, Toyohashi (JP)

(73) Assignee: **Toyota Jidosha Kabushiki Kaisha**, Aichi (JP)

(\*\*) Term: **14 Years**

(21) Appl. No.: **29/238,545**

(22) Filed: **Sep. 15, 2005**

(30) **Foreign Application Priority Data**

Mar. 16, 2005 (JP) ..... 2005-007850

(51) **LOC (8) Cl.** ..... **13-02**

(52) **U.S. Cl.** ..... **D13/120**

(58) **Field of Classification Search** ..... D13/102-106,  
D13/110, 118-121, 133, 154, 184; 429/96-100,  
429/163, 176

See application file for complete search history.

(56) **References Cited**

**U.S. PATENT DOCUMENTS**

D118,923 S *	2/1940	Williams	.....	D13/133
D121,225 S *	6/1940	Rolph	.....	D13/119
D136,190 S *	8/1943	Urell	.....	D13/133
D214,379 S *	6/1969	Wolf et al.	.....	D13/119
3,939,400 A *	2/1976	Steele	.....	324/434

D245,691 S *	9/1977	White	.....	D13/119
D305,532 S *	1/1990	Gallo et al.	.....	D14/256
6,887,618 B2 *	5/2005	Shelekhin et al.	.....	429/175
D513,606 S *	1/2006	Yamane	.....	D13/149
2004/0126656 A1 *	7/2004	Cho	.....	429/181
2005/0042508 A1 *	2/2005	Kim et al.	.....	429/174
2005/0181272 A1 *	8/2005	Kim	.....	429/56
2006/0057461 A1 *	3/2006	Hamada et al.	.....	429/181

\* cited by examiner

*Primary Examiner*—Alan P. Douglas

*Assistant Examiner*—Rosemary K. Tarcza

(74) *Attorney, Agent, or Firm*—Jordan and Hamburg LLP

(57) **CLAIM**

We claim the ornamental design for a storage battery, as shown and described.

**DESCRIPTION**

FIG. 1 is a front elevational view of a storage battery showing the present design;

FIG. 2 is a top plan view thereof;

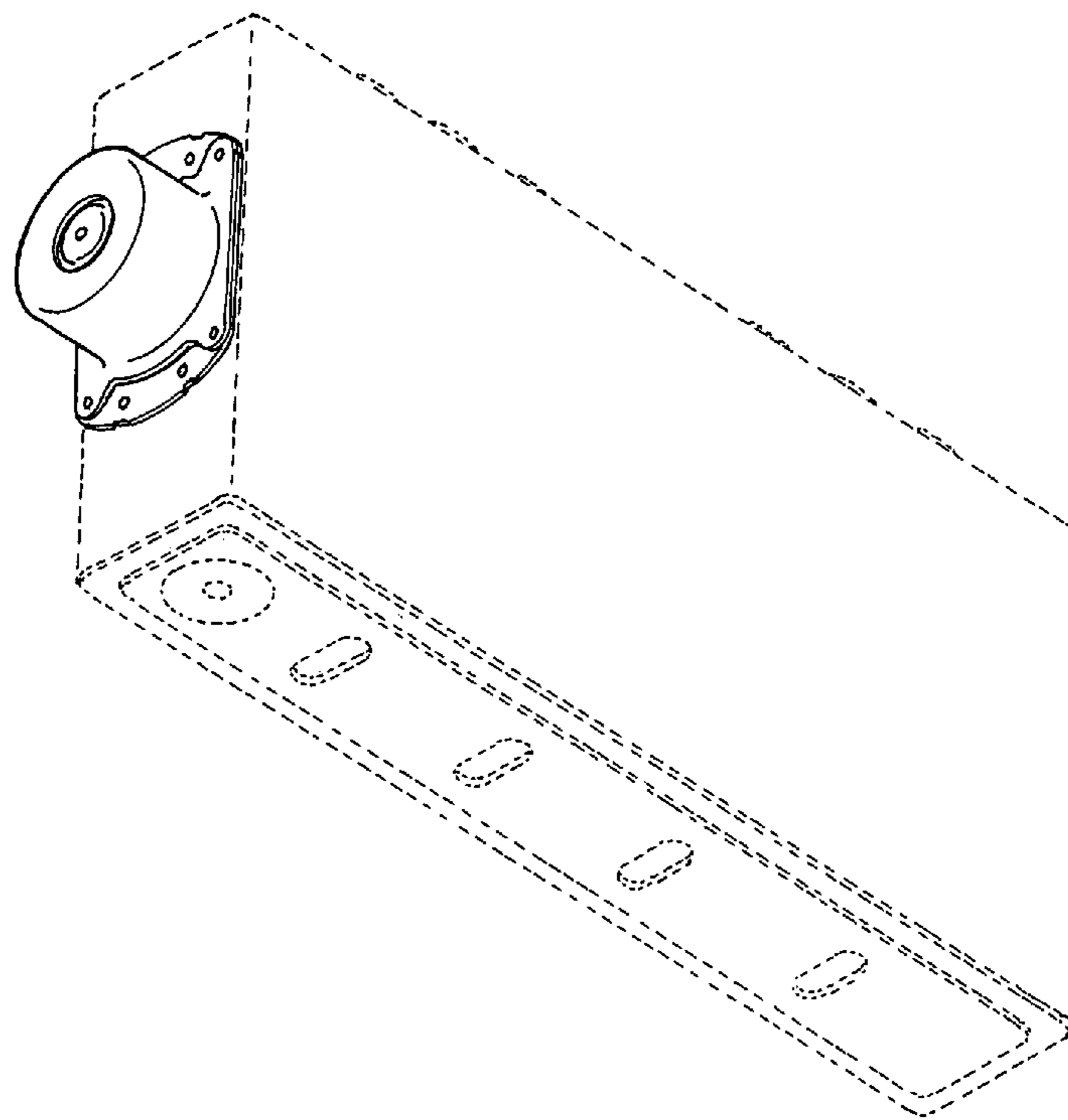
FIG. 3 is a bottom plan view thereof;

FIG. 4 is a left side elevational view thereof; and,

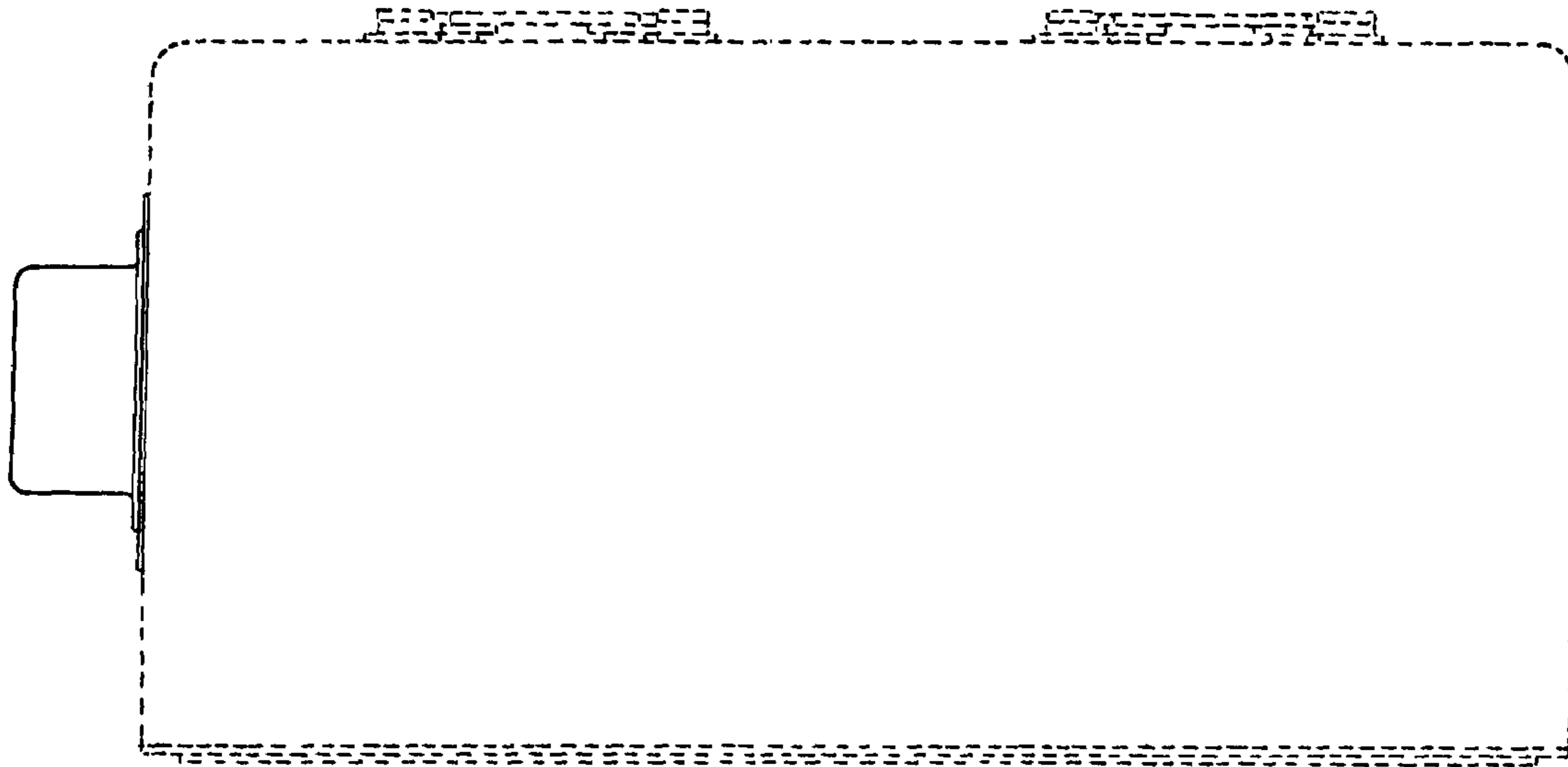
FIG. 5 is a perspective view thereof.

Note that a rear elevational view is omitted since it is symmetrical to a front elevational view. Also note that the part illustrated by solid lines is directed to the article of the present invention. The broken line showing is for illustrative purposes only and forms no part of the claimed design.

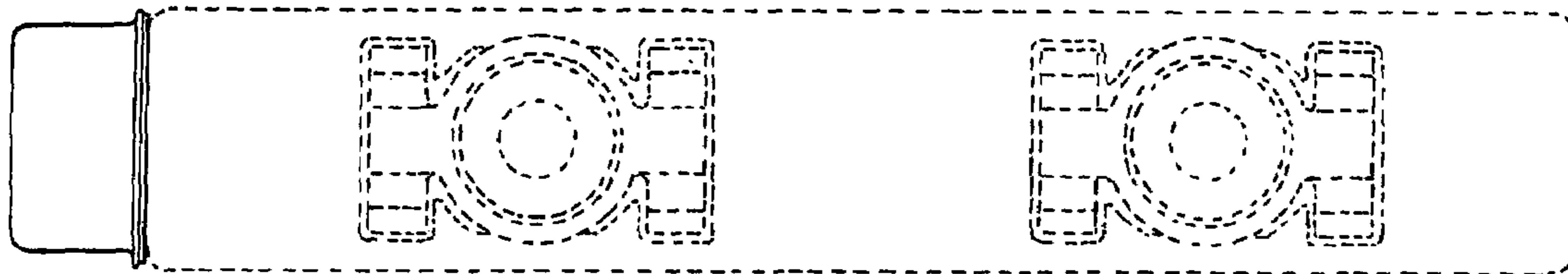
**1 Claim, 3 Drawing Sheets**



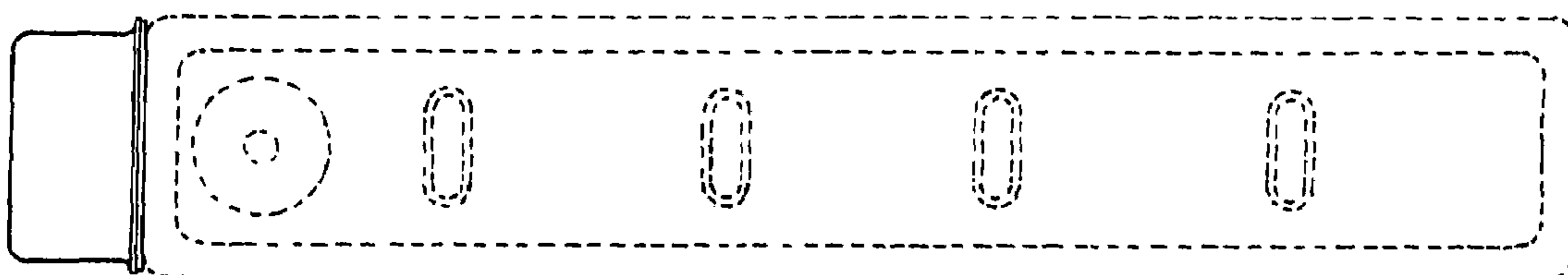
*Fig. 1*



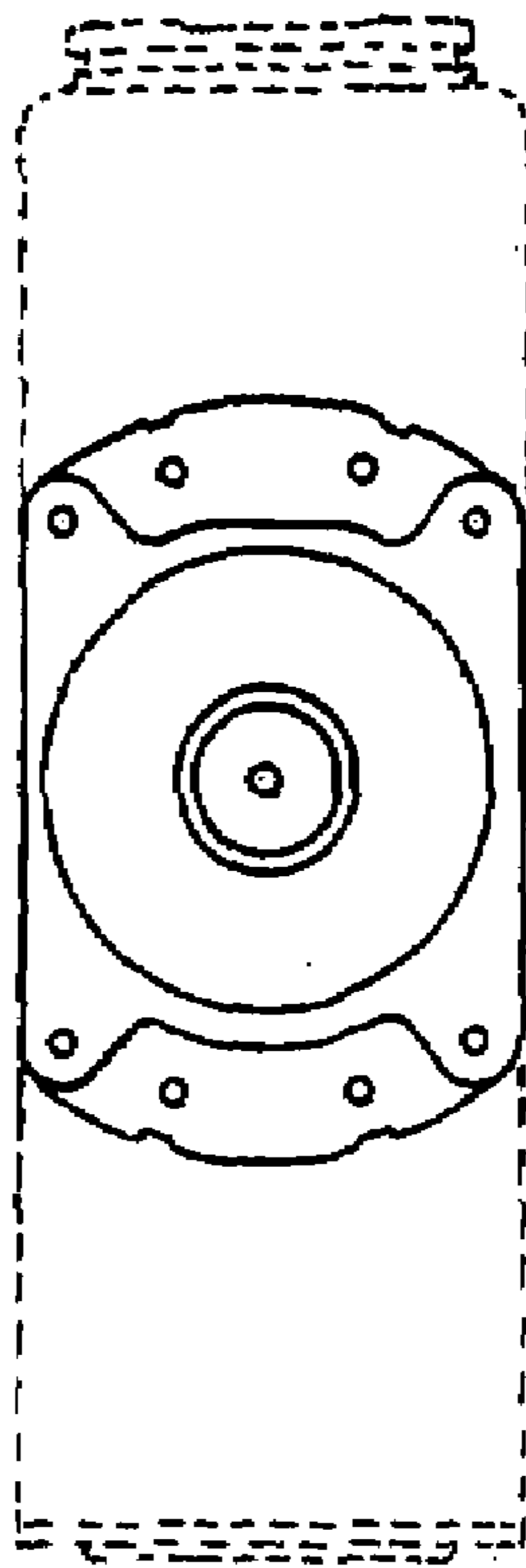
*Fig. 2*



*Fig. 3*



*Fig. 4*



*Fig. 5*

