

US00D548695S

(12) **United States Design Patent**
Krieger et al.

(10) **Patent No.:** **US D548,695 S**

(45) **Date of Patent:** **** Aug. 14, 2007**

(54) **INVERTER**

(75) Inventors: **Michael Krieger**, Miami Beach, FL (US); **Kevin Ellsworth**, Alva, FL (US)

(73) Assignee: **Black and Decker, Inc.**, Newark, DE (US)

(**) Term: **14 Years**

(21) Appl. No.: **29/262,106**

(22) Filed: **Jun. 27, 2006**

(51) **LOC (8) Cl.** **13-02**

(52) **U.S. Cl.** **D13/110**

(58) **Field of Classification Search** D13/110,
D13/123, 184, 199; 337/186; 361/600,
361/601, 730; 363/141, 142
See application file for complete search history.

(56) **References Cited**

U.S. PATENT DOCUMENTS

4,872,102	A *	10/1989	Getter	363/141
5,497,289	A *	3/1996	Sugishima et al.	361/709
D372,017	S *	7/1996	Suematsu et al.	D13/110
D436,918	S *	1/2001	Matsuda	D13/110
D479,195	S *	9/2003	Krieger et al.	D13/110

* cited by examiner

Primary Examiner—Prabhakar Deshmukh

Assistant Examiner—Derrick Holland

(74) *Attorney, Agent, or Firm*—Venable LLP; Robert Kinberg

(57) **CLAIM**

The ornamental design for an inverter, as shown and described.

DESCRIPTION

FIG. 1 is a perspective view from the front-top-right side of an inverter showing our new design;

FIG. 2 is a front view of the design shown in FIG. 1;

FIG. 3 is a rear view of the design shown in FIG. 1;

FIG. 4 is a left side view of the design shown in FIG. 1;

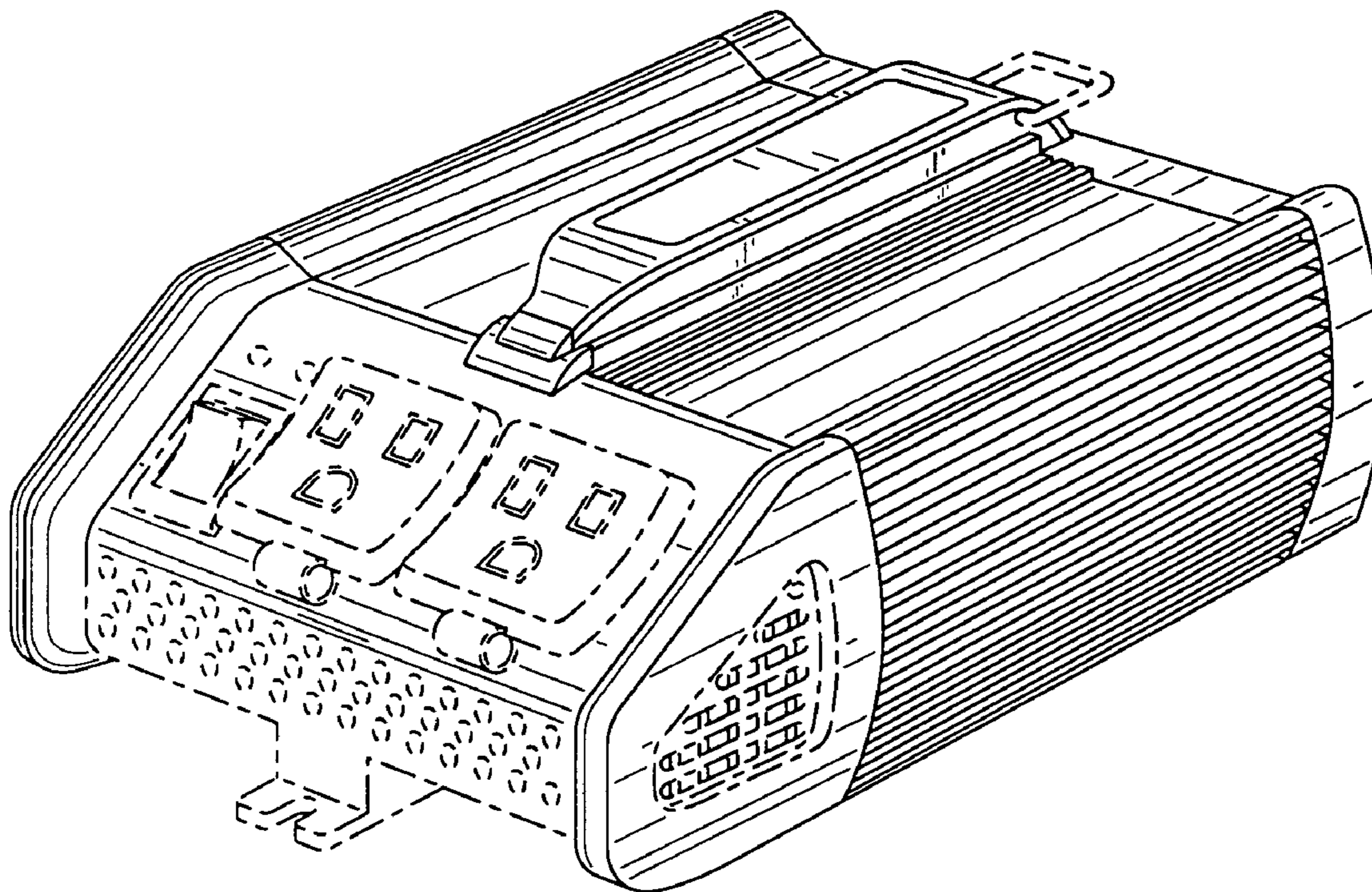
FIG. 5 is a right side view of the design shown in FIG. 1;

FIG. 6 is a top view of the design shown in FIG. 1; and,

FIG. 7 is a bottom view of the design shown in FIG. 1.

The broken lines immediately adjacent the shaded areas represent the bounds of the claimed design while all other broken lines are for illustrative purposes only; the broken lines form no part of the claimed design.

1 Claim, 5 Drawing Sheets



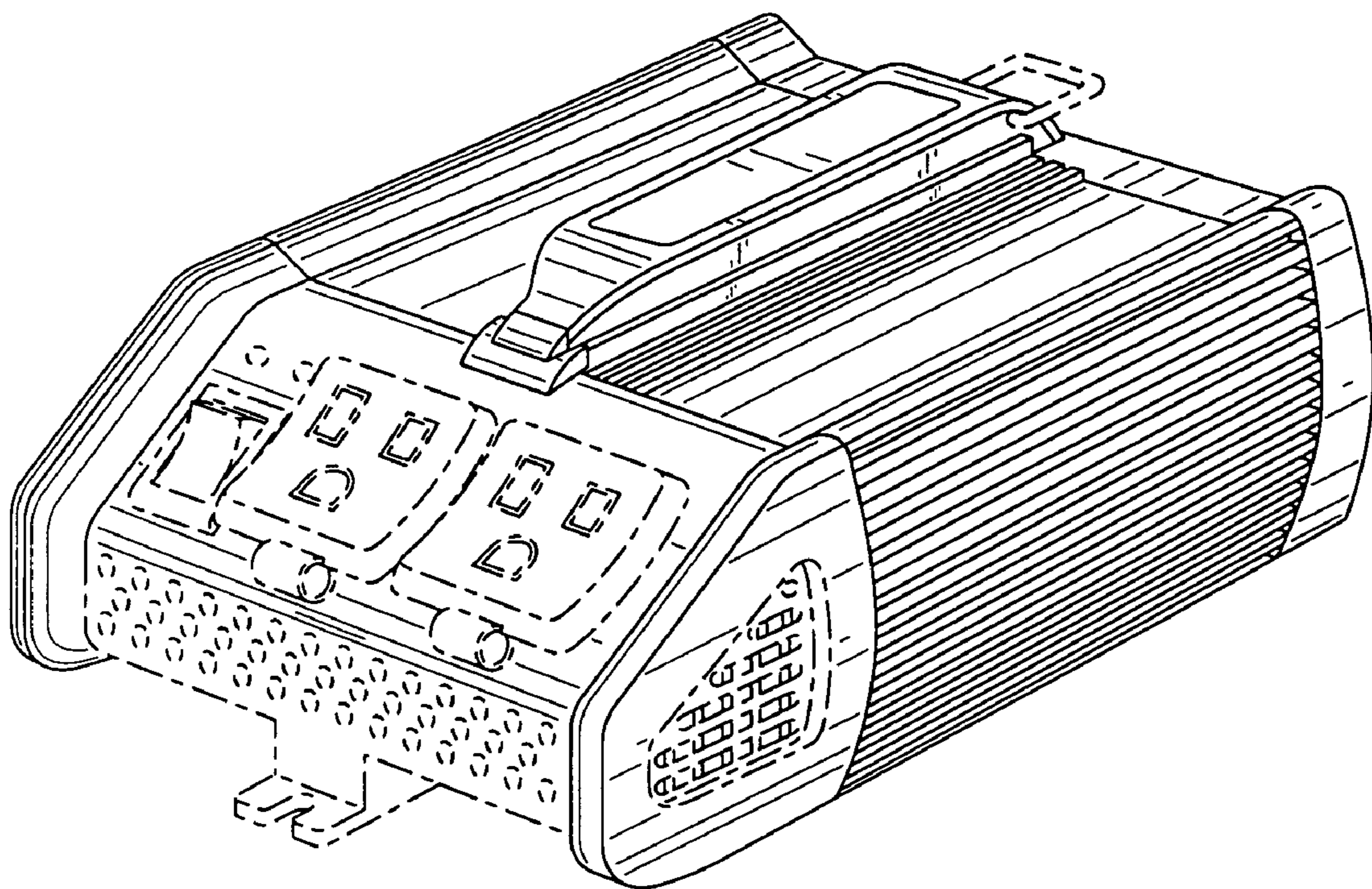


FIG. 1

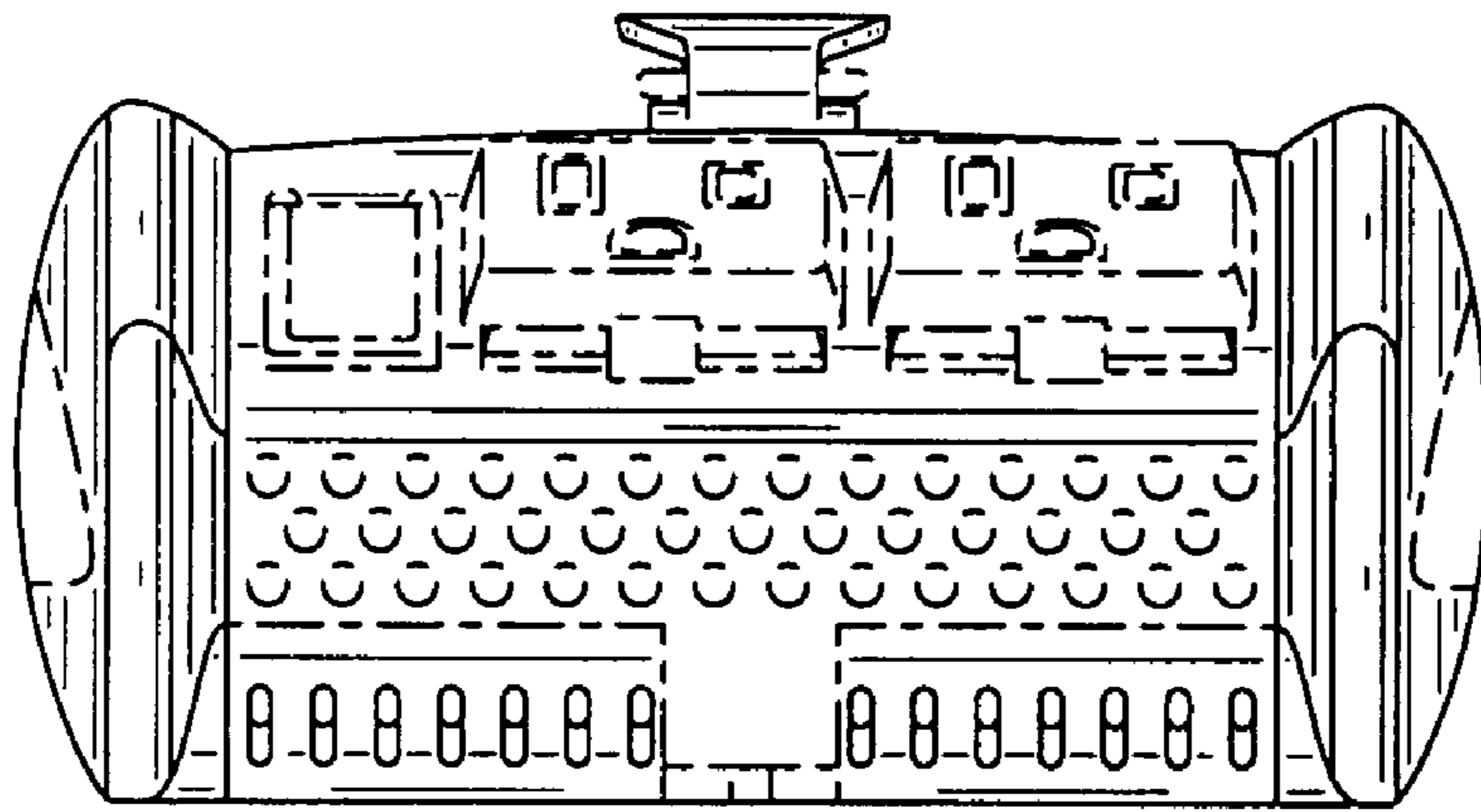


FIG. 2

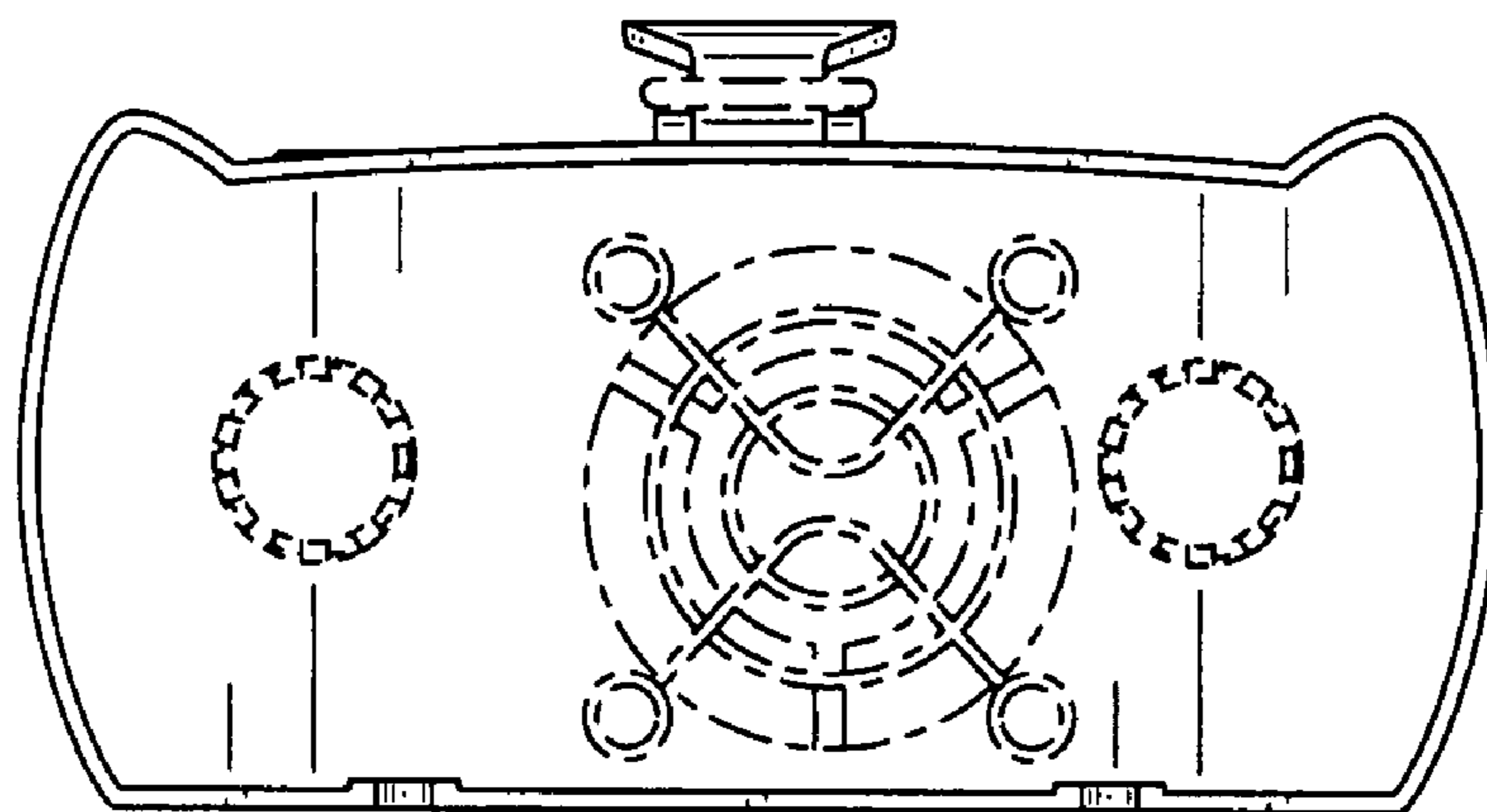


FIG. 3

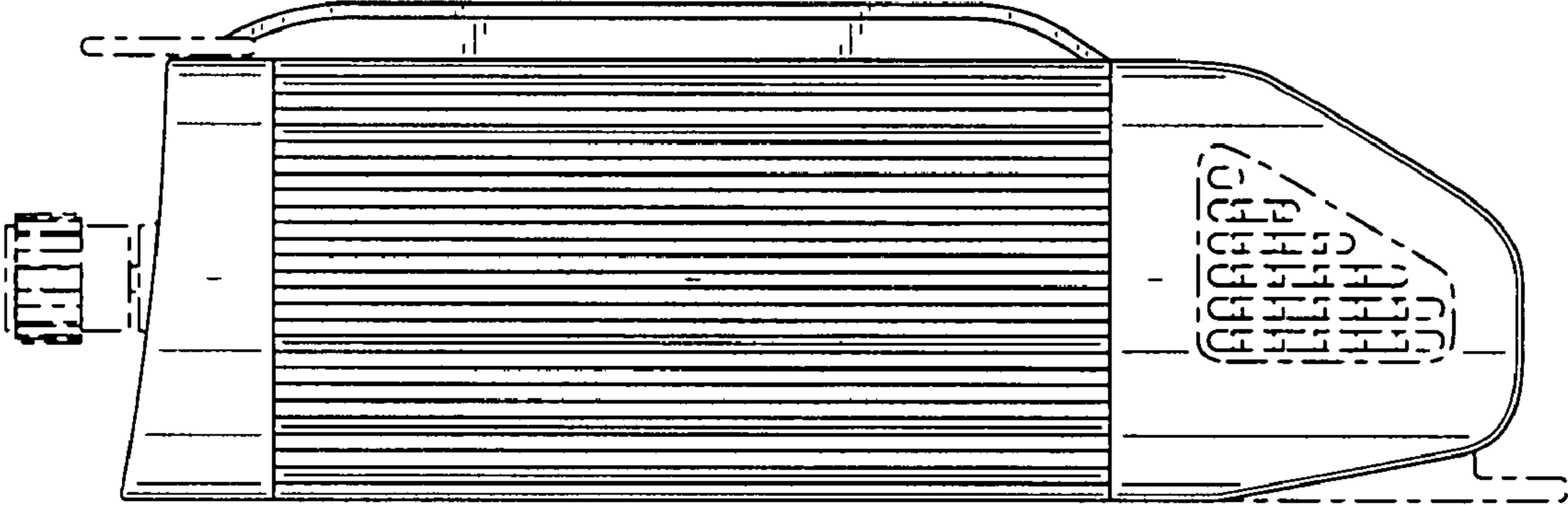


FIG. 4

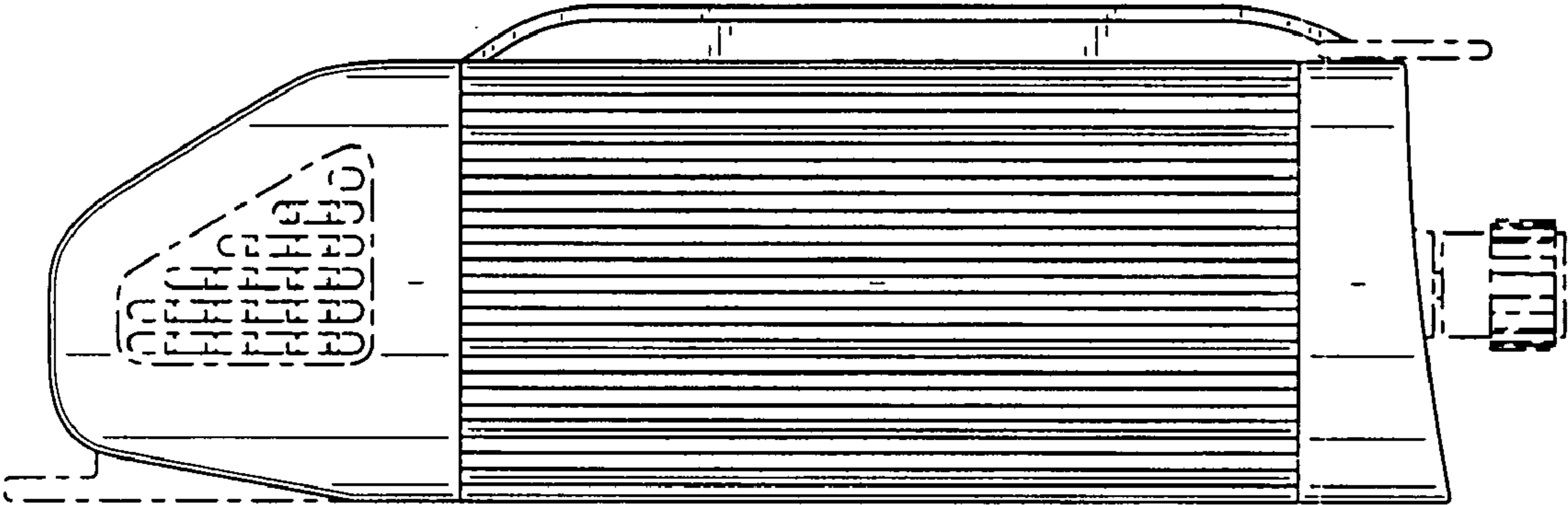


FIG. 5

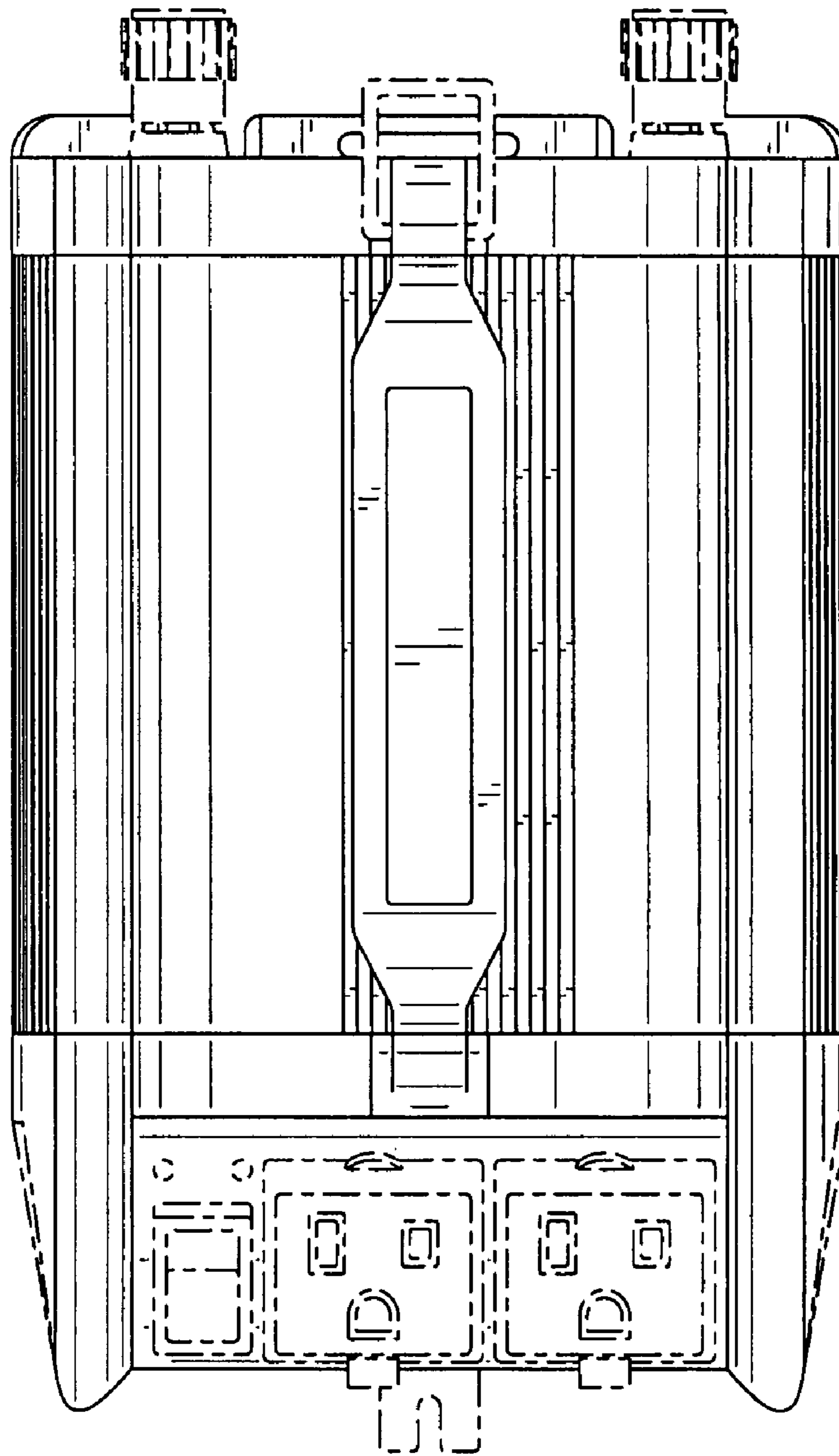


FIG. 6

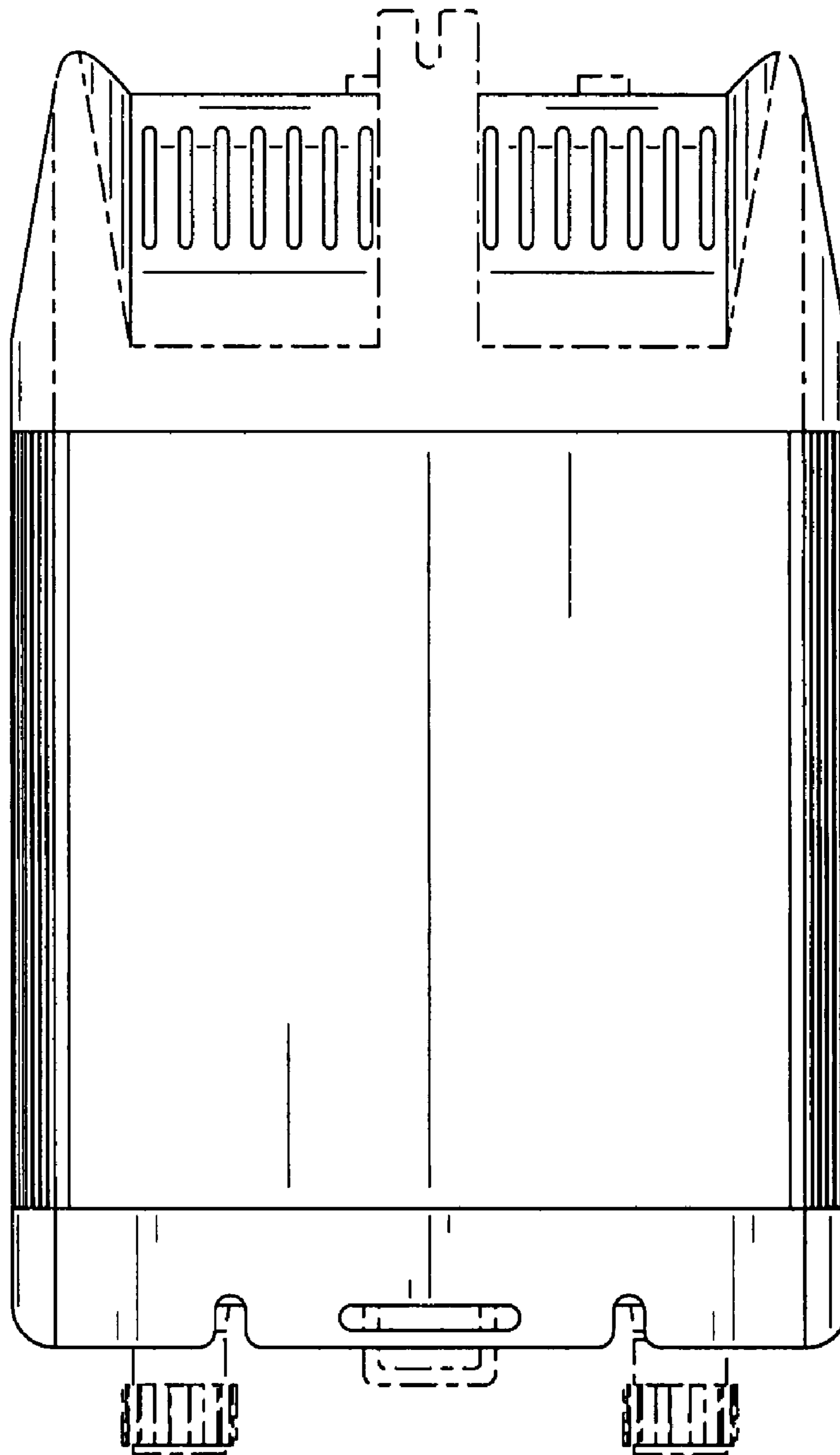


FIG. 7