

US00D548691S

(12) **United States Design Patent** (10) **Patent No.:** **US D548,691 S**  
**Krieger et al.** (45) **Date of Patent:** **\*\* Aug. 14, 2007**

(54) **GP INVERTER**

*Primary Examiner*—Prabhakar Deshmukh

*Assistant Examiner*—Derrick Holland

(75) Inventors: **Michael Krieger**, Miami Beach, FL (US); **Kevin Ellsworth**, Alva, FL (US)

(74) *Attorney, Agent, or Firm*—Venable LLP; Robert Kinberg

(73) Assignee: **Vector Products, Inc.**, Plantation, FL (US)

(57) **CLAIM**

(\*\*) Term: **14 Years**

The ornamental design for a GP inverter, as shown and described.

(21) Appl. No.: **29/241,670**

(22) Filed: **Nov. 1, 2005**

**DESCRIPTION**

(51) **LOC (8) Cl.** ..... **13-02**

(52) **U.S. Cl.** ..... **D13/110**

(58) **Field of Classification Search** ..... D13/110,  
D13/123, 184, 199; 337/186; 361/600,  
361/601, 730; 363/141, 142

See application file for complete search history.

FIG. 1 is a perspective view from the front-top-right side of a GP inverter showing our new design;

FIG. 2 is a front view thereof;

FIG. 3 is a rear view thereof;

FIG. 4 is a left side view thereof;

FIG. 5 is a right side view thereof;

FIG. 6 is a top plan view thereof; and,

FIG. 7 is a bottom plan view thereof.

(56) **References Cited**

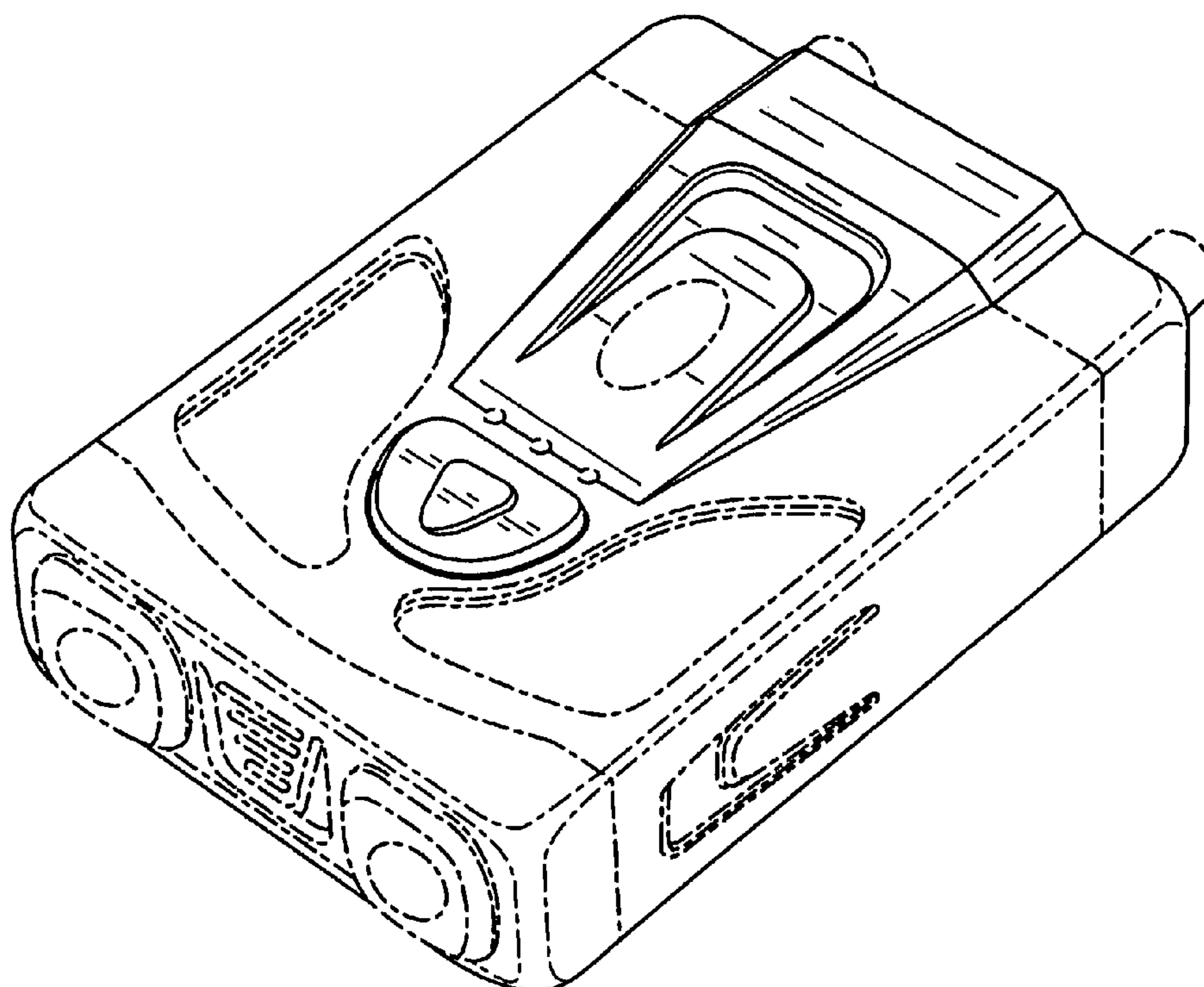
U.S. PATENT DOCUMENTS

4,872,102 A \* 10/1989 Getter ..... 363/141  
D349,682 S \* 8/1994 Hunziker ..... D13/110  
5,497,289 A \* 3/1996 Sugishima et al. .... 361/709  
5,949,640 A \* 9/1999 Cameron et al. .... 361/600  
D427,146 S \* 6/2000 Wei ..... D13/110  
D427,148 S \* 6/2000 Wei ..... D13/110

The broken lines immediately adjacent the shaded areas represent the bounds of the claimed design while all other broken lines are for illustrative purposes only; the broken lines form no part of the claimed design.

\* cited by examiner

**1 Claim, 5 Drawing Sheets**



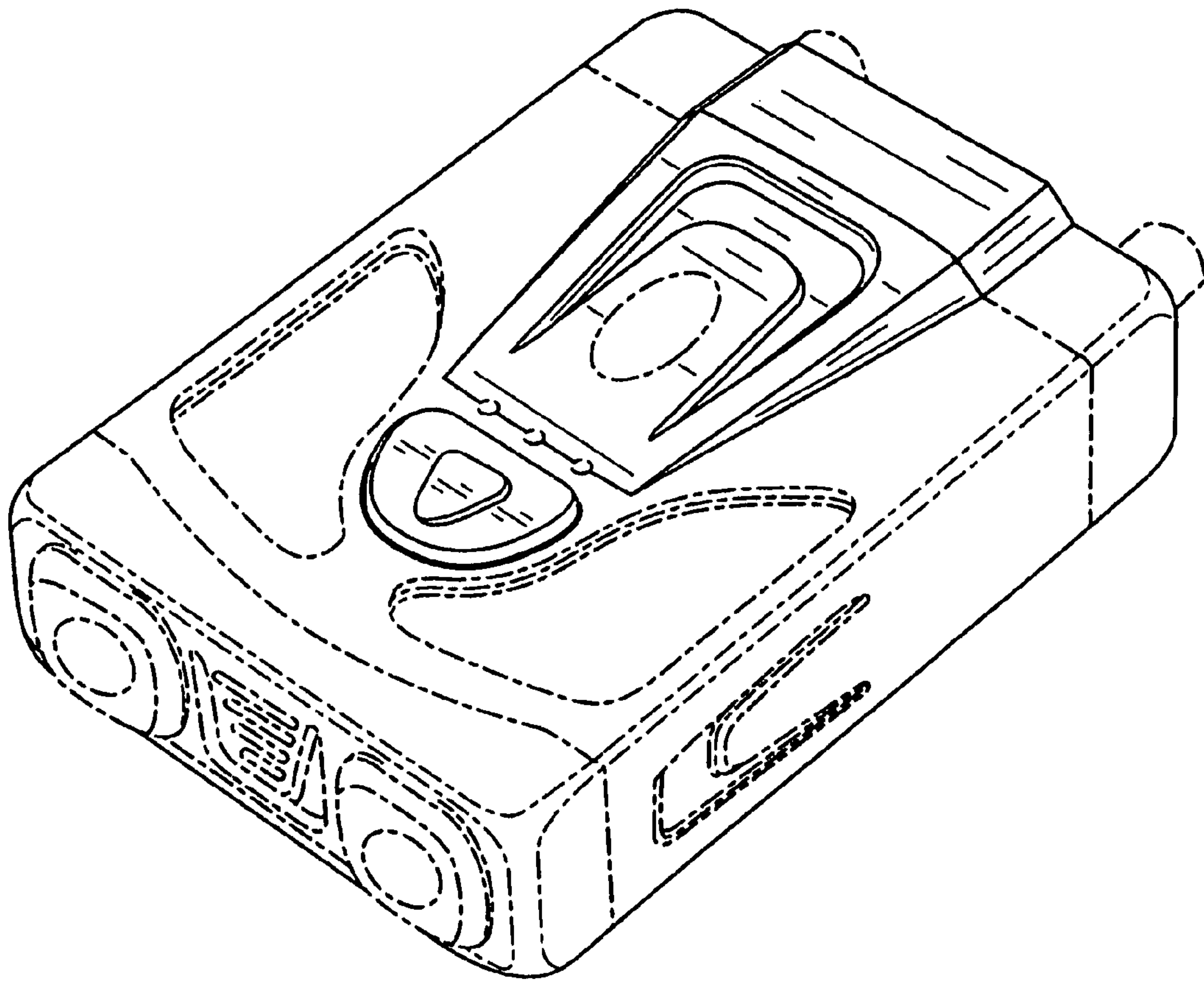


FIG. 1

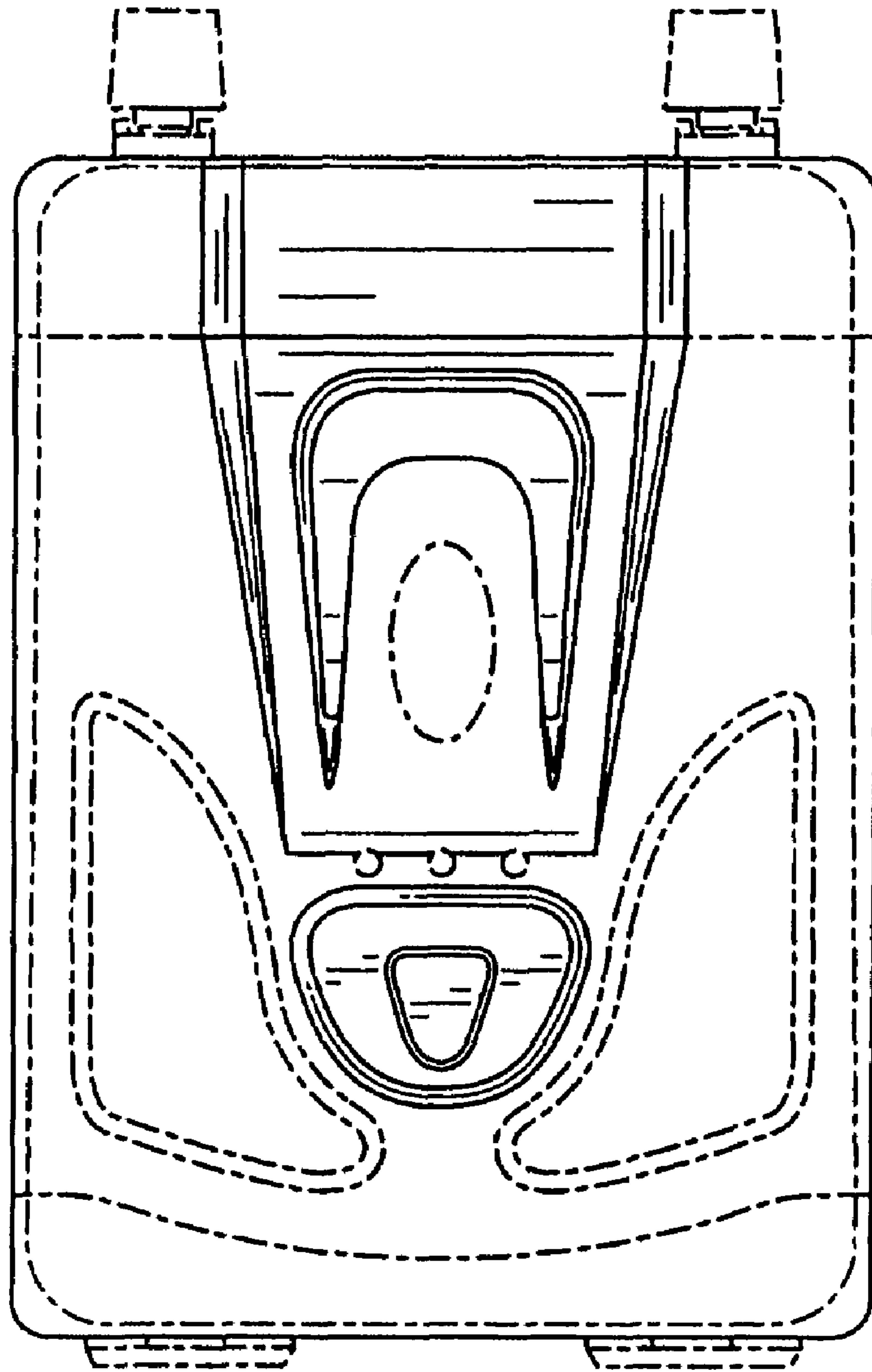


FIG. 2

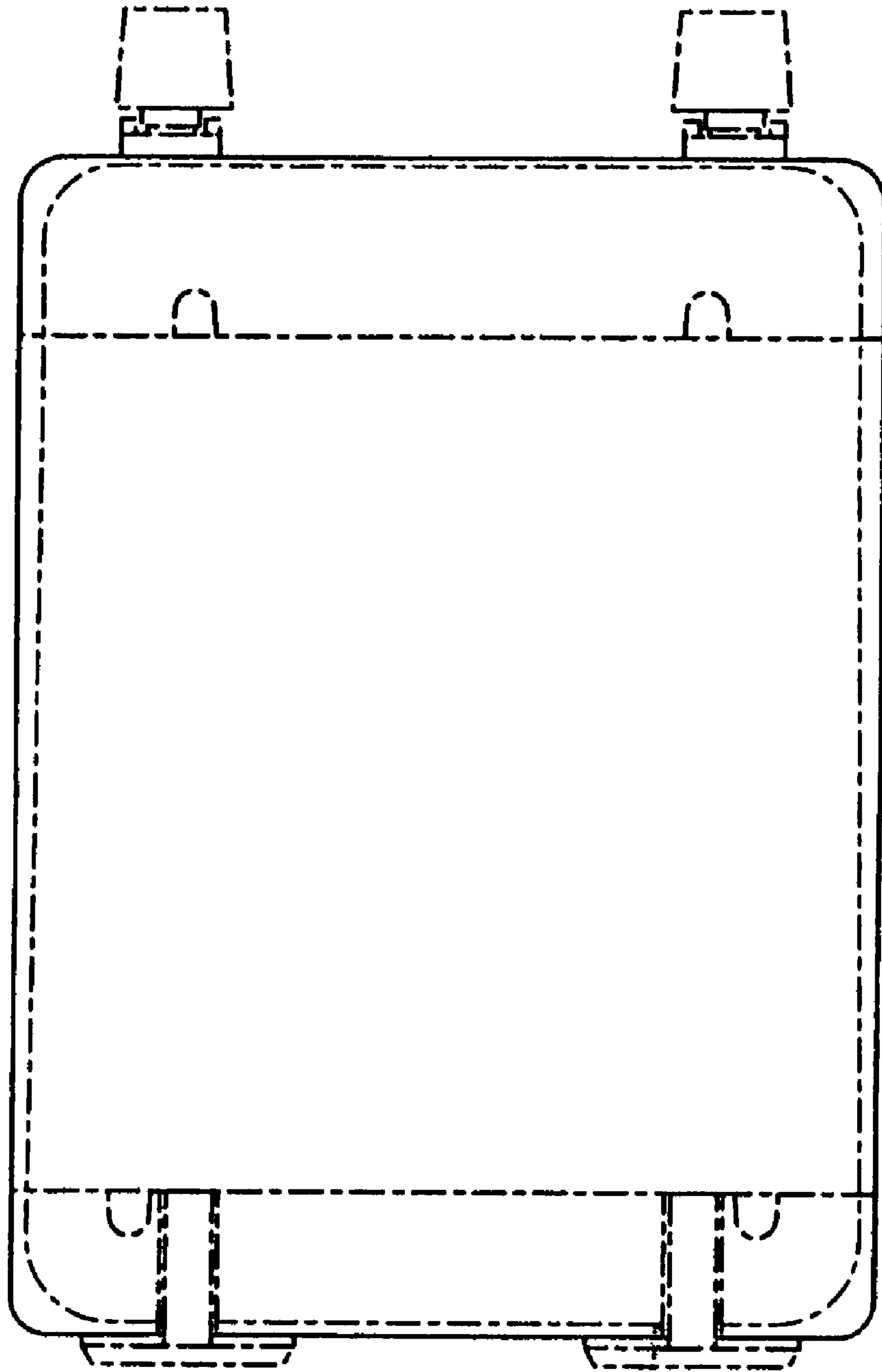


FIG. 3

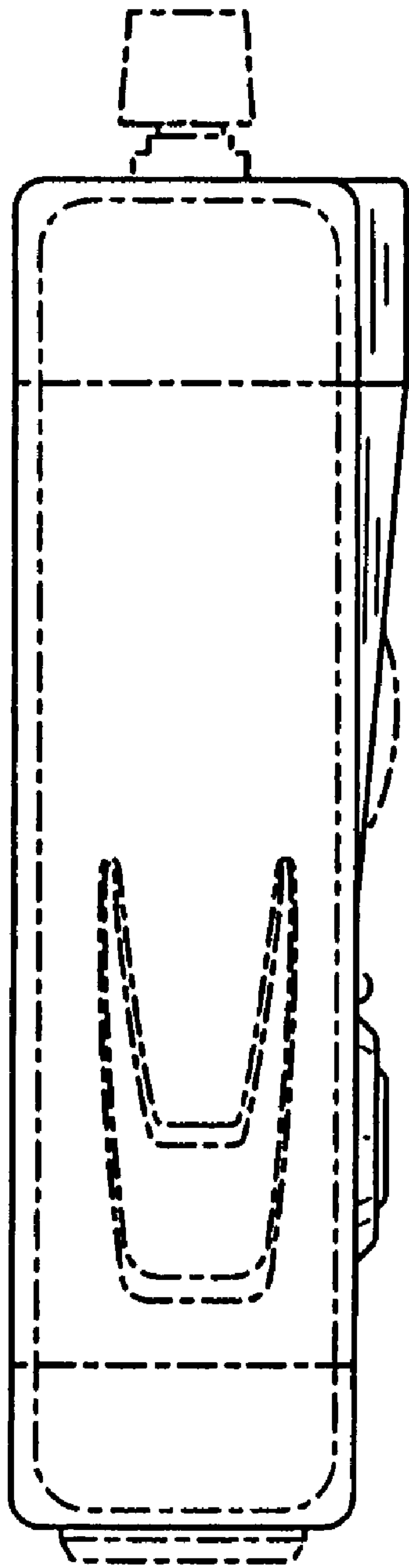


FIG. 4

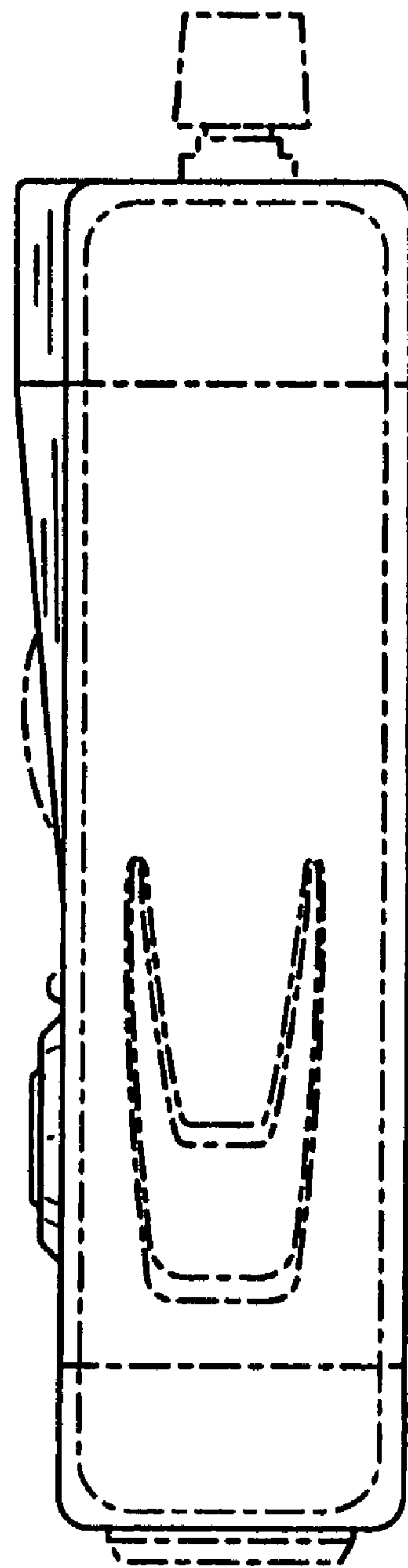


FIG. 5

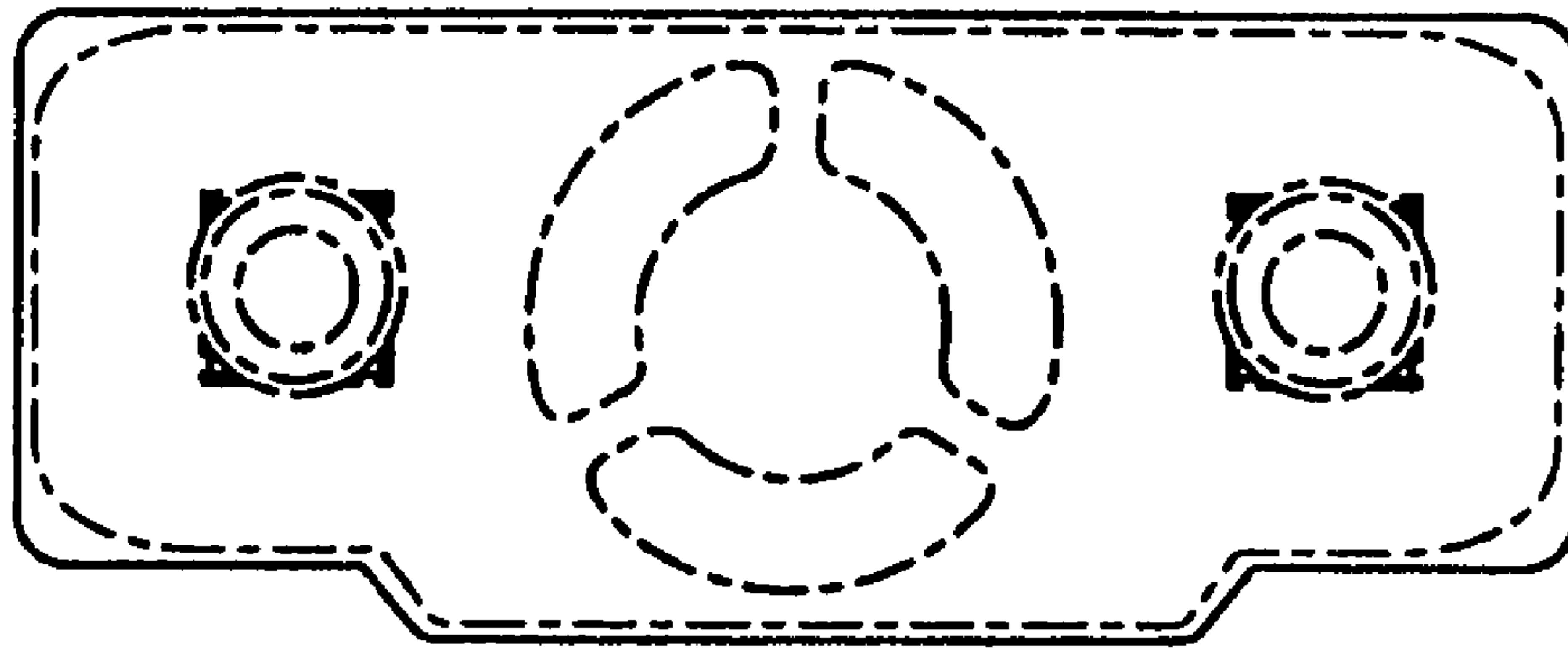


FIG. 6

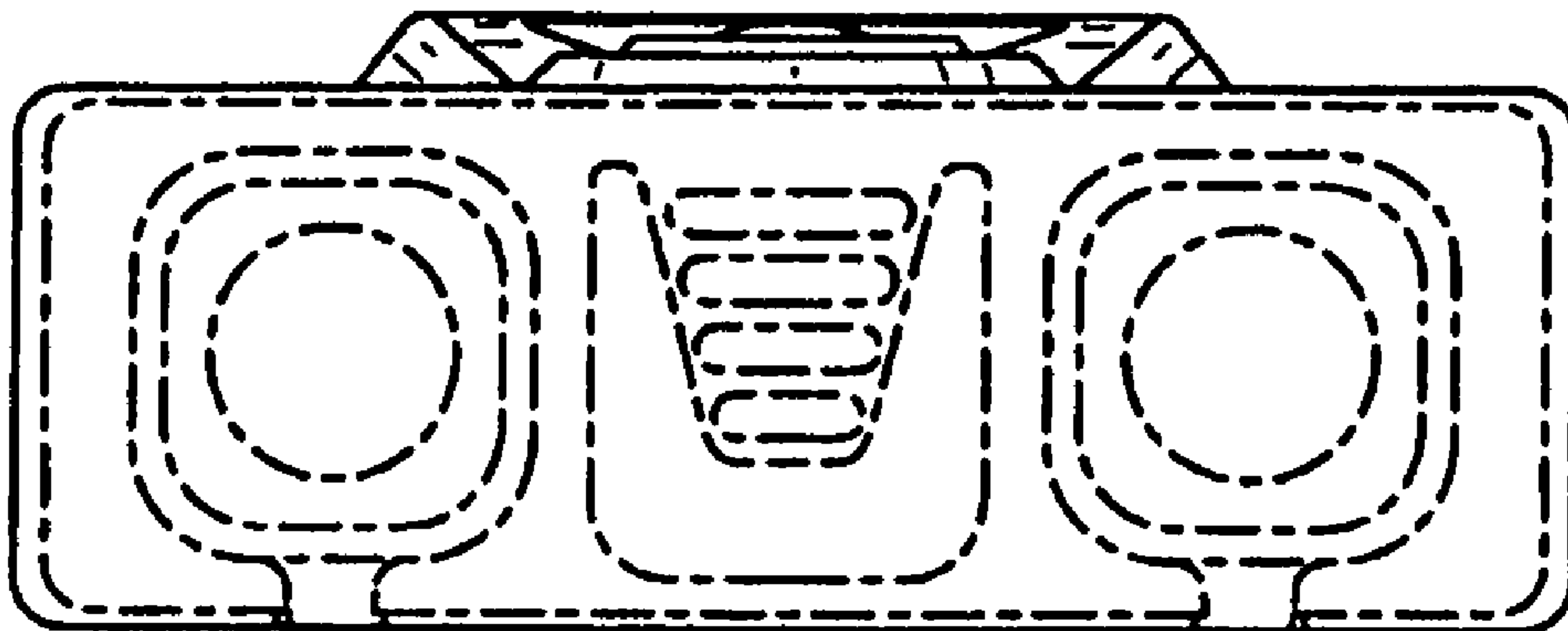


FIG. 7