



US00D548689S

(12) **United States Design Patent**
Baxter

(10) **Patent No.:** **US D548,689 S**

(45) **Date of Patent:** **** Aug. 14, 2007**

(54) **CHARGER BASE FOR A CORDLESS
DRILL/DRIVER**

(75) Inventor: **Mark Baxter**, Newcastle Upon Tyne
(GB)

(73) Assignee: **Black & Decker Inc.**, Newark, DE
(US)

(**) Term: **14 Years**

(21) Appl. No.: **29/247,872**

(22) Filed: **Jul. 18, 2006**

(30) **Foreign Application Priority Data**

Jan. 20, 2006 (EM) 000466891

(51) **LOC (8) Cl.** **13-02**

(52) **U.S. Cl.** **D13/108**

(58) **Field of Classification Search** D13/107-110,
D13/118-119, 184; D14/251, 253, 432,
D14/434; 320/107-115

See application file for complete search history.

(56) **References Cited**

U.S. PATENT DOCUMENTS

D314,173 S * 1/1991 Soren et al. D13/108
D376,585 S * 12/1996 Wathen et al. D14/434
D386,176 S * 11/1997 Diamantis et al. D14/149

D400,164 S * 10/1998 Lindahl D13/108
D422,965 S * 4/2000 Laufer et al. D13/108
D442,545 S * 5/2001 Isonaga D13/108
D466,511 S * 12/2002 Croley et al. D14/434
D493,801 S * 8/2004 Byun D14/453
D515,502 S * 2/2006 Wen D13/108

* cited by examiner

Primary Examiner—Alan P. Douglas

Assistant Examiner—Rosemary K. Tarcza

(74) *Attorney, Agent, or Firm*—Bruce S. Shapiro; John Yun;
Wesley W. Muller

(57) **CLAIM**

The ornamental design for charger base for a cordless
drill/driver, as shown and described.

DESCRIPTION

FIG. 1 is a front/left perspective view of my new design.

FIG. 2 is a left side elevational view thereof.

FIG. 3 is a right side elevational view thereof.

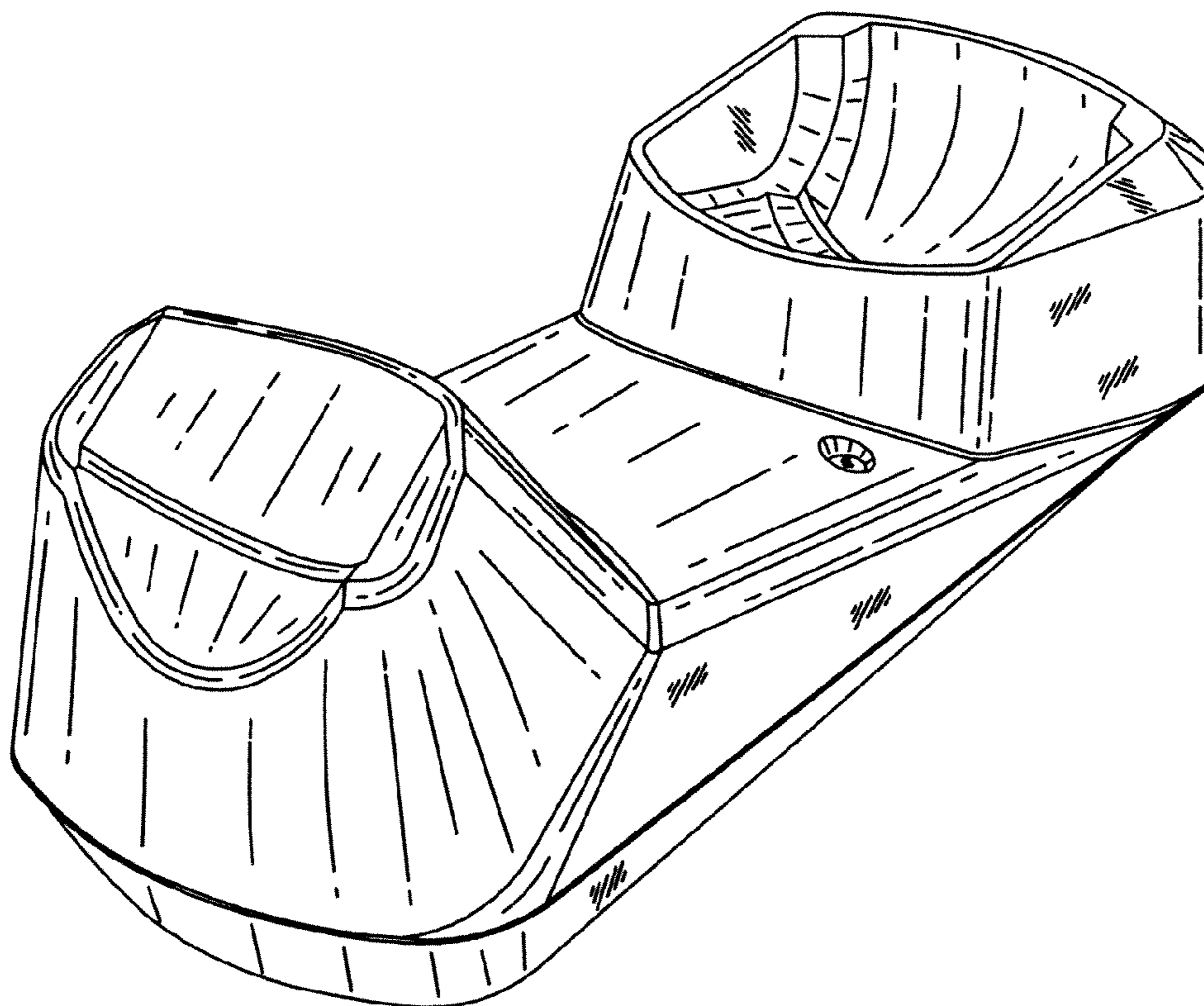
FIG. 4 is a front view thereof.

FIG. 5 is a rear view thereof.

FIG. 6 is a top plan view thereof; and,

FIG. 7 is a bottom plan view thereof.

1 Claim, 4 Drawing Sheets



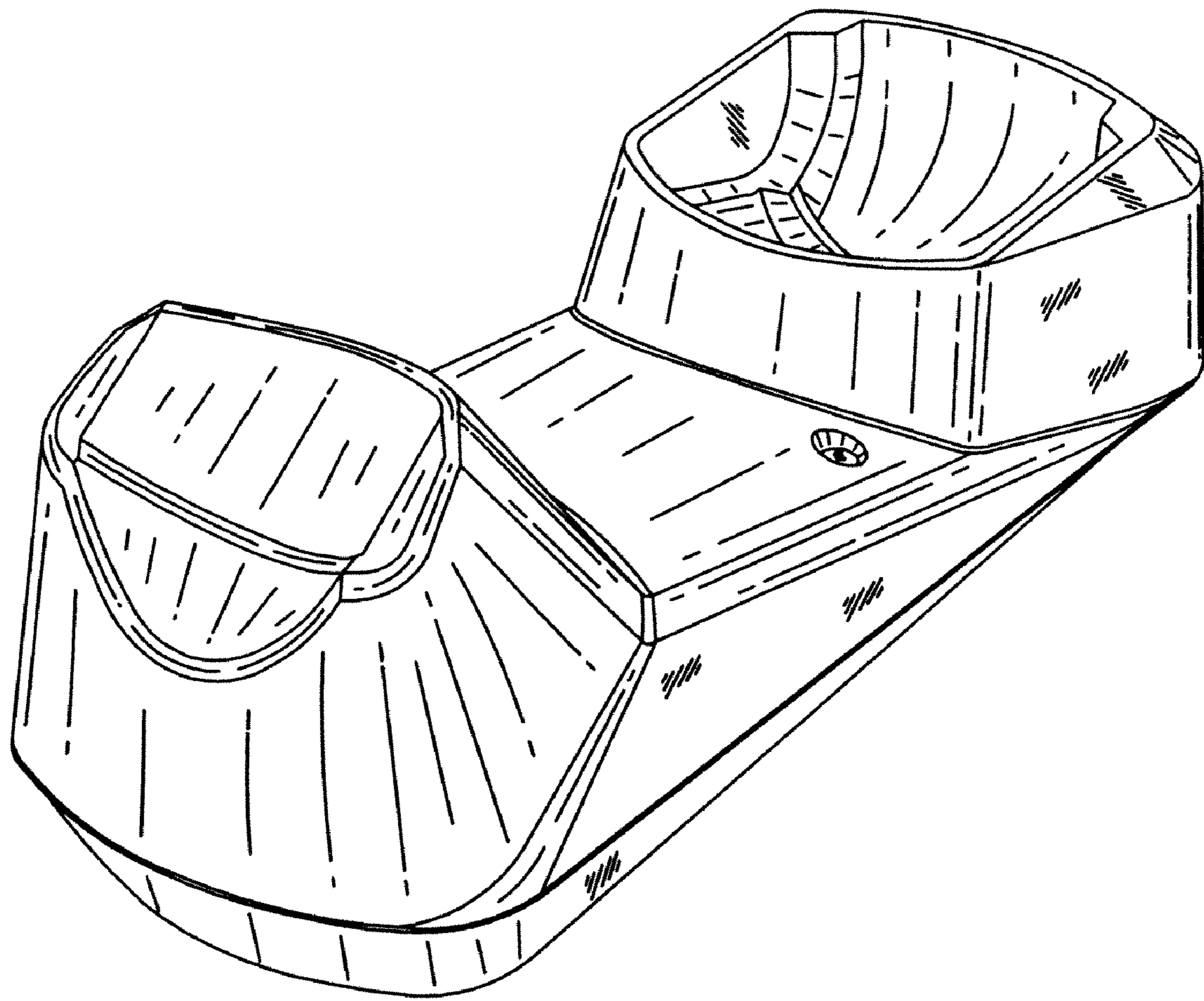


FIG.1

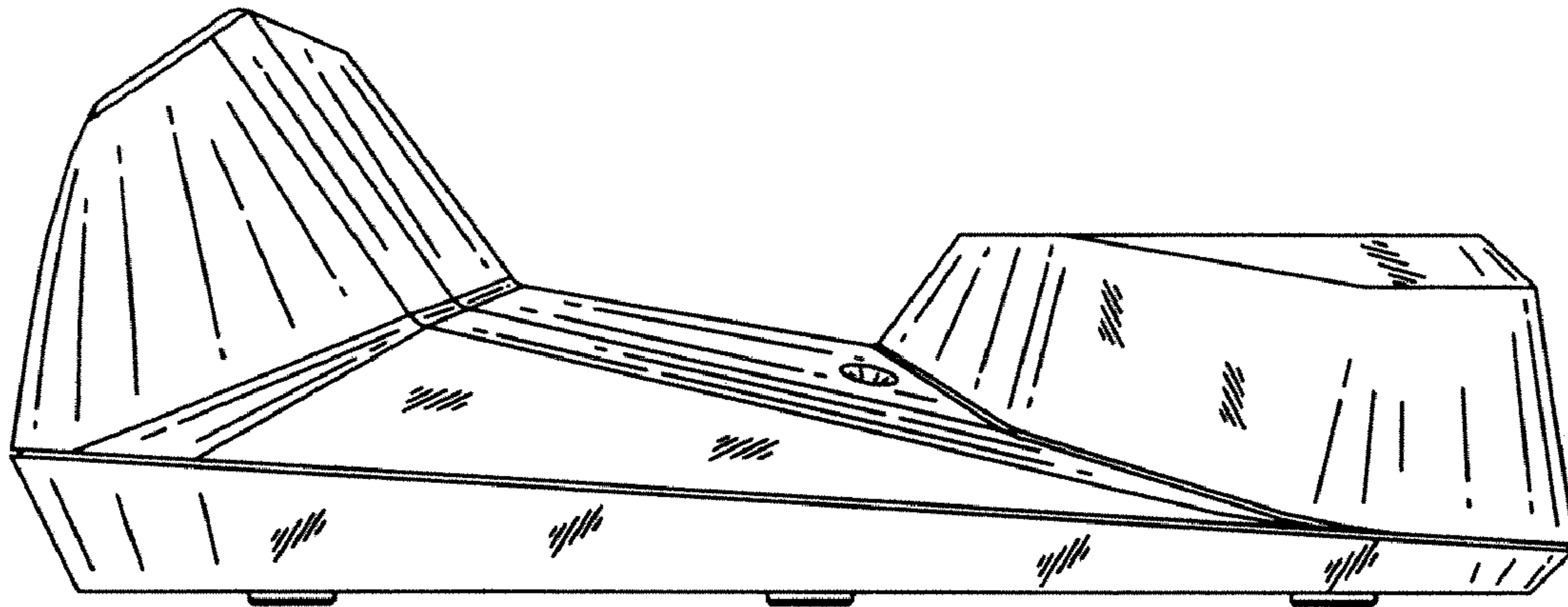


FIG. 2

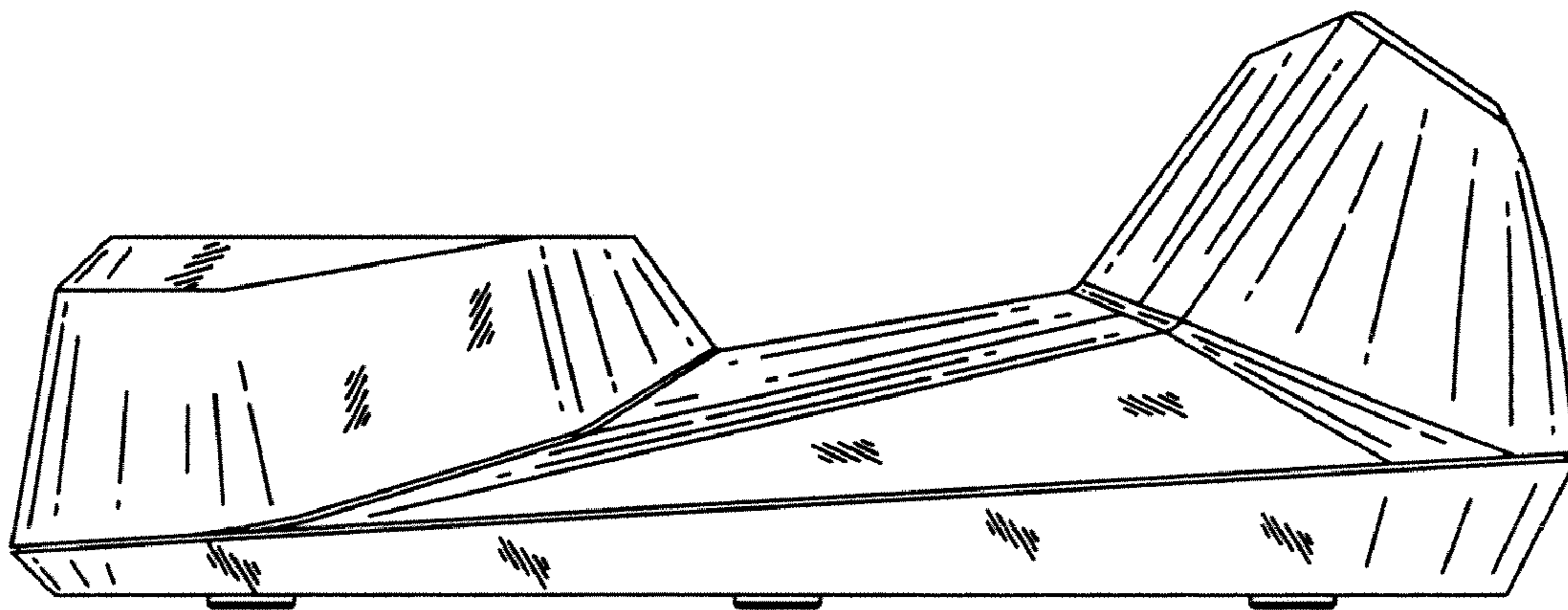


FIG. 3

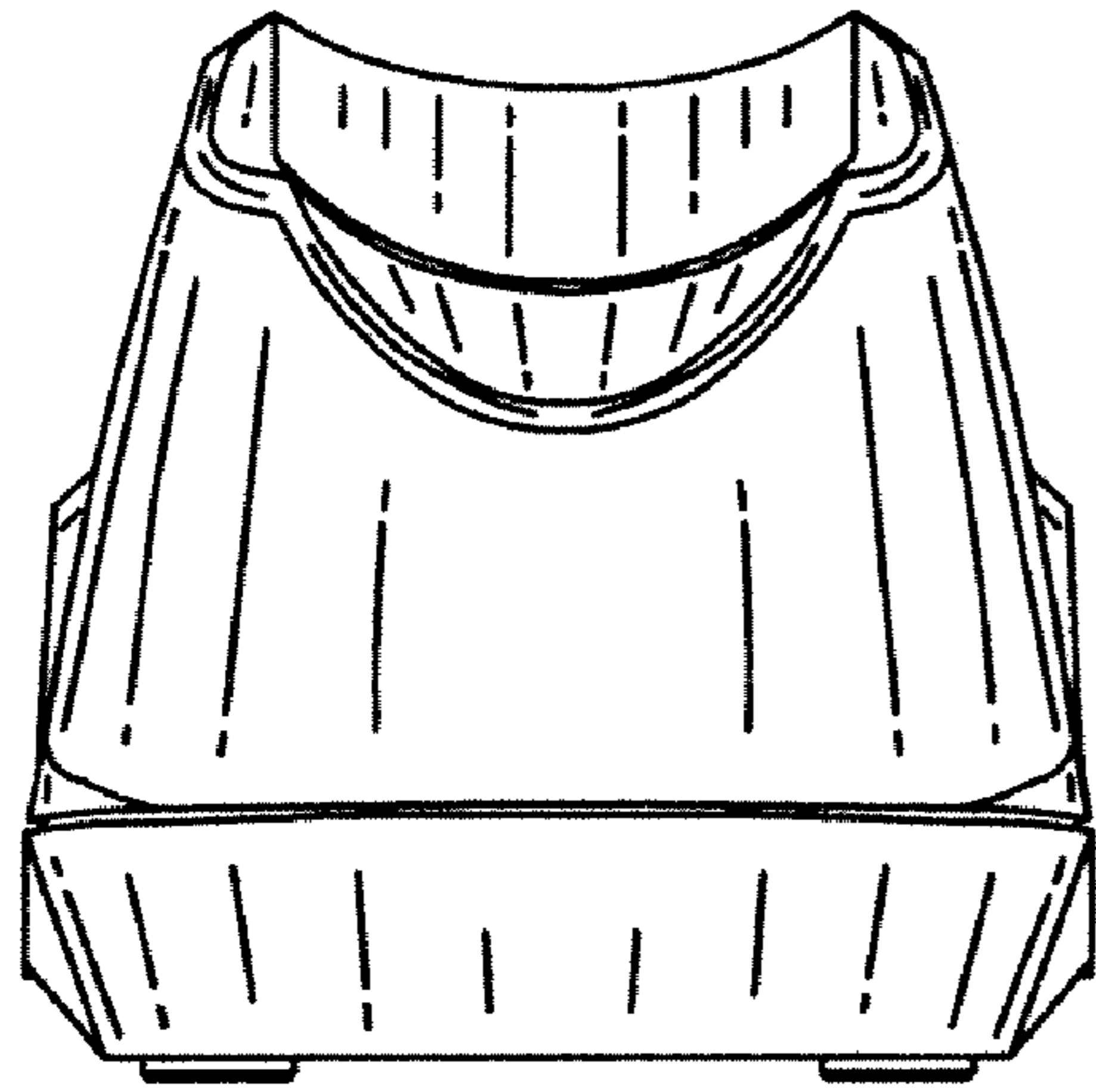


FIG. 4

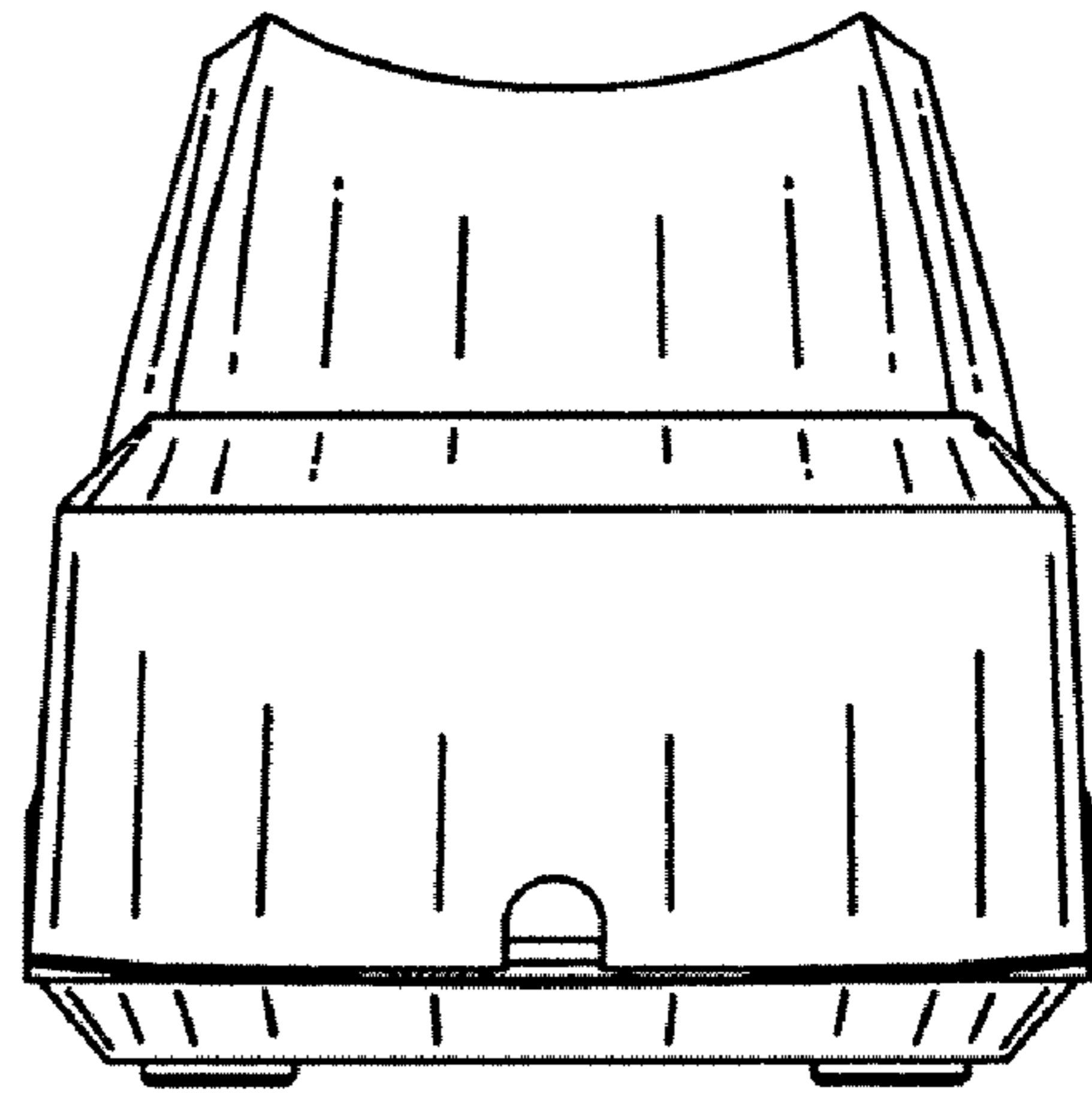


FIG. 5

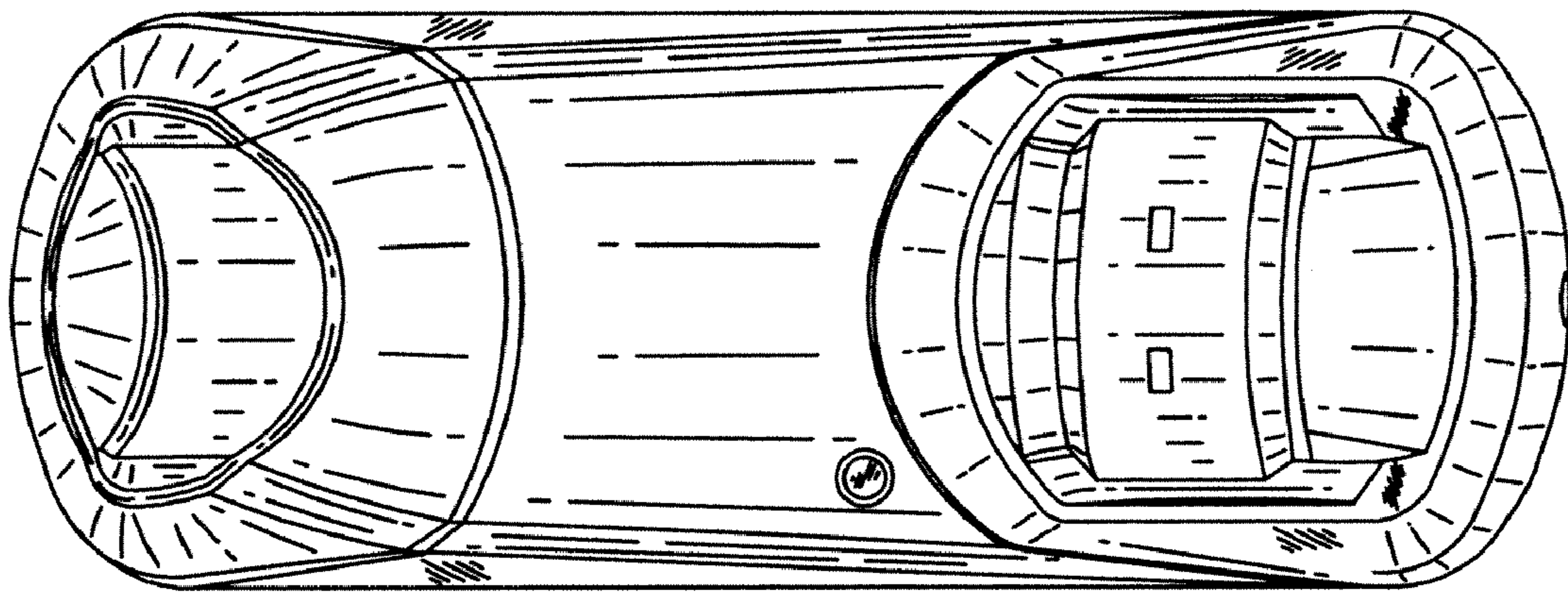


FIG. 6

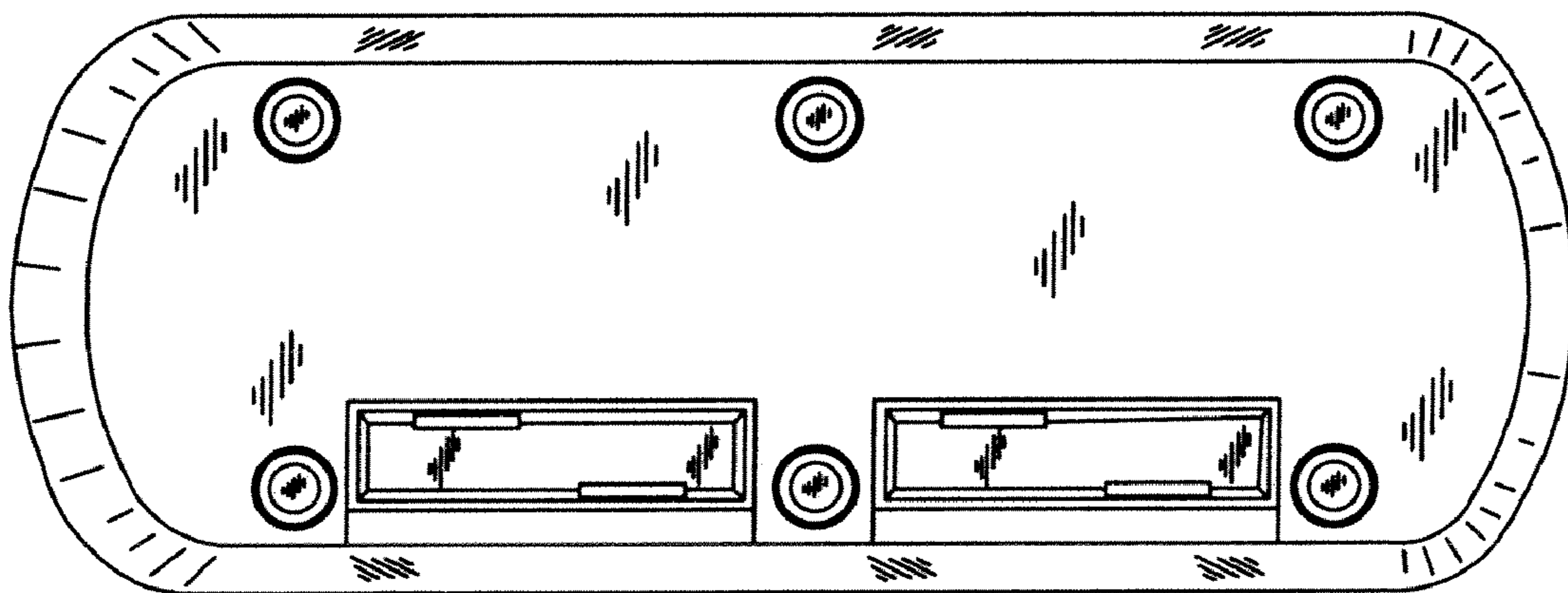


FIG. 7