

US00D548688S

(12) **United States Design Patent**
Fee et al.

(10) **Patent No.:** **US D548,688 S**

(45) **Date of Patent:** **** Aug. 14, 2007**

(54) **CREW BATTERY CHARGER**

(75) Inventors: **John Authur Fee**, Garland, TX (US);
Gary Joseph Tole, Plano, TX (US);
William S. Hart, Plano, TX (US);
Robert Joseph Miles, Plano, TX (US);
Adam Wade, Rancho Santa Margarita,
CA (US)

(73) Assignee: **10Charge, Inc.**, Addison, TX (US)

(**) Term: **14 Years**

(21) Appl. No.: **29/266,557**

(22) Filed: **Sep. 22, 2006**

(51) **LOC (8) Cl.** **13-02**

(52) **U.S. Cl.** **D13/107**

(58) **Field of Classification Search** D13/107-110,
D13/118-119, 184; D14/251, 253, 432,
D14/434; 320/107-115

See application file for complete search history.

(56) **References Cited**

U.S. PATENT DOCUMENTS

- D277,845 S * 3/1985 Ip D13/107
- D438,170 S * 2/2001 Hofbauer D13/107
- D467,539 S * 12/2002 Kataoka D13/108

- D485,234 S * 1/2004 Katayama D13/108
- D508,458 S * 8/2005 Solland et al. D13/108
- D525,583 S * 7/2006 Vu D13/108
- D526,973 S * 8/2006 Gates et al. D13/184
- D527,704 S * 9/2006 Rodarte D13/108

* cited by examiner

Primary Examiner—Alan P. Douglas

Assistant Examiner—Rosemary K. Tarcza

(74) *Attorney, Agent, or Firm*—Jackson Walker L.L.P.;
Robert C. Klinger

(57) **CLAIM**

The ornamental design for a crew battery charger, as shown and described.

DESCRIPTION

FIG. 1 is a perspective view of a crew battery charger showing our new design;

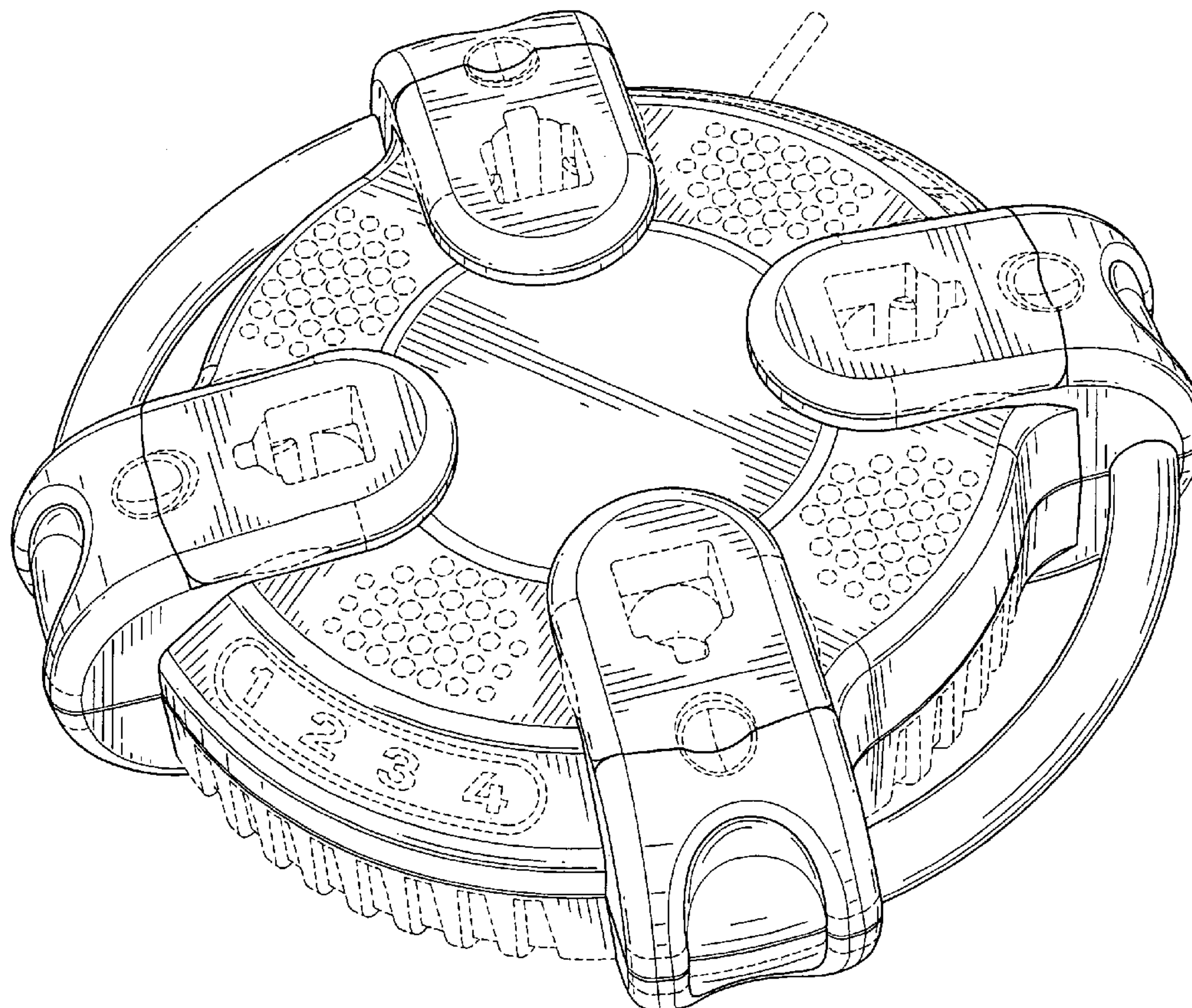
FIG. 2 is a top view thereof;

FIG. 3 is a side view thereof; and,

FIG. 4 is a bottom view thereof.

The crew battery charger portion shown in broken lines is for illustrative purposes only and forms no part of the claimed design.

1 Claim, 4 Drawing Sheets



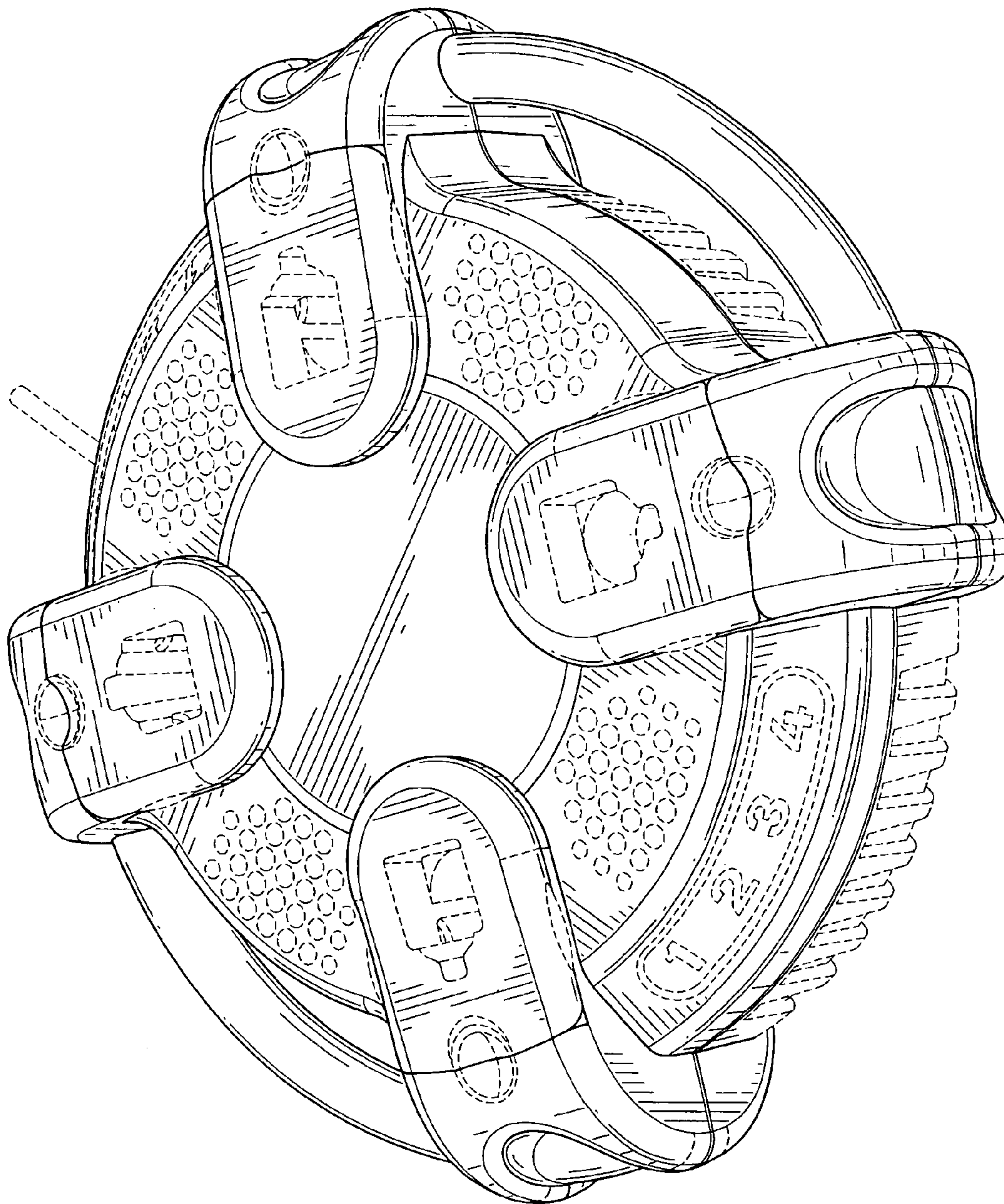


FIG. 1

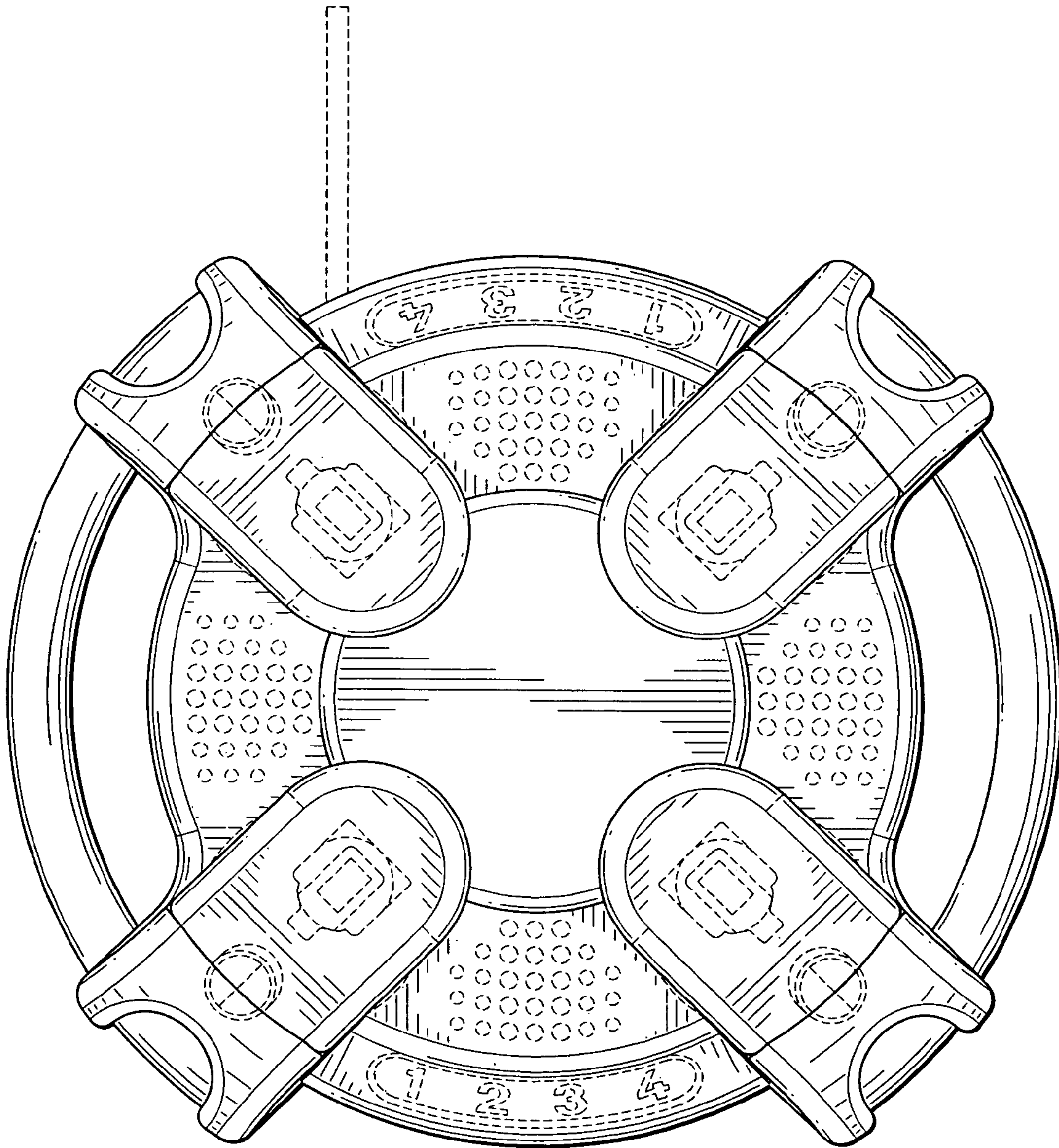


FIG. 2

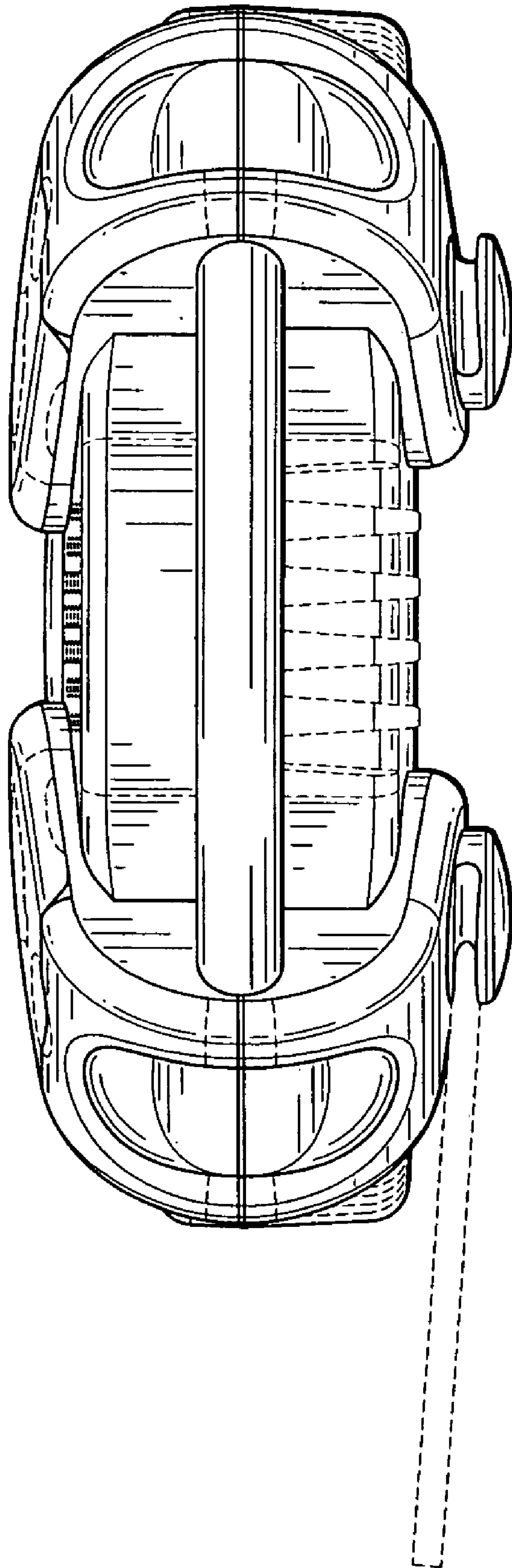


FIG. 3

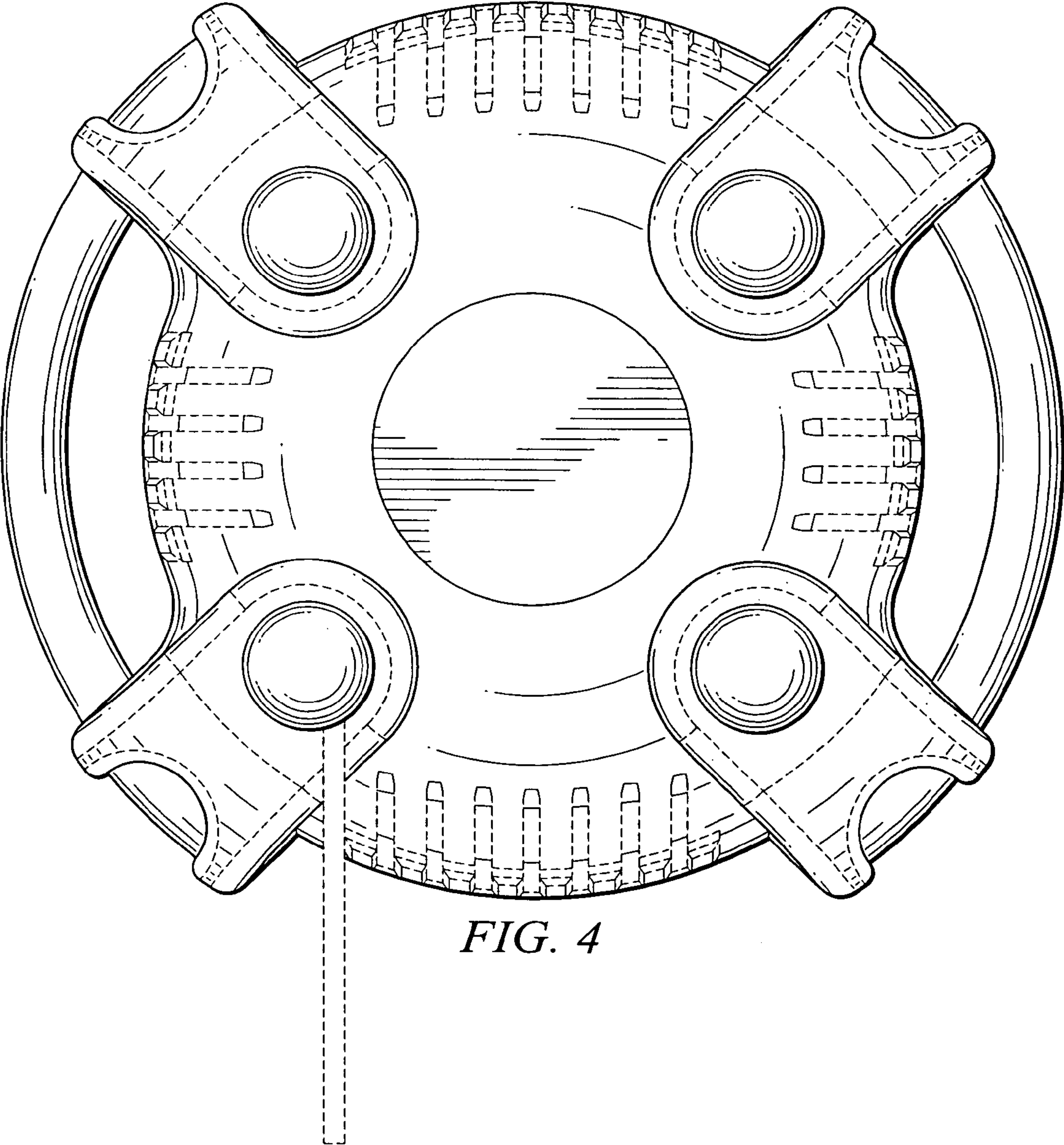


FIG. 4