

US00D548685S

(12) **United States Design Patent**  
**Eto et al.**

(10) **Patent No.:** **US D548,685 S**

(45) **Date of Patent:** **\*\* Aug. 14, 2007**

(54) **STORAGE BATTERY**

(75) Inventors: **Toyohiko Eto**, Toyota (JP); **Shinji Hamada**, Toyohashi (JP); **Tomohiro Matsuura**, Toyota (JP); **Takashi Asahina**, Toyohashi (JP); **Hiroyuki Miyamoto**, Toyohashi (JP)

(73) Assignee: **Toyota Jidosha Kabushiki Kaisha**, Aichi (JP)

(\*\*) Term: **14 Years**

(21) Appl. No.: **29/238,467**

(22) Filed: **Sep. 15, 2005**

(30) **Foreign Application Priority Data**

Mar. 17, 2005 (JP) ..... 2005-007986

(51) **LOC (8) Cl.** ..... **13-02**

(52) **U.S. Cl.** ..... **D13/103**

(58) **Field of Classification Search** ..... D13/102-106,  
D13/110, 118-119, 184; 429/96-100, 163,  
429/176

See application file for complete search history.

(56) **References Cited**

**U.S. PATENT DOCUMENTS**

3,864,172 A \* 2/1975 Marks ..... 429/1  
D290,524 S \* 6/1987 Kusmer ..... D13/110  
D370,201 S \* 5/1996 Okano et al. .... D13/103  
D394,841 S \* 6/1998 Hashimoto et al. .... D13/103  
D444,448 S \* 7/2001 Robinson et al. .... D13/103

D464,618 S \* 10/2002 Ando et al. .... D13/110  
D476,948 S \* 7/2003 Mitchell ..... D13/103  
6,610,443 B2 \* 8/2003 Paulot et al. .... 429/181  
D492,649 S \* 7/2004 Resch et al. .... D13/103  
6,808,844 B2 \* 10/2004 Ehara ..... 429/175  
D516,503 S \* 3/2006 Takeshita et al. .... D13/103  
2004/0126656 A1 \* 7/2004 Cho ..... 429/181  
2006/0057461 A1 \* 3/2006 Hamada et al. .... 429/181

\* cited by examiner

*Primary Examiner*—Alan P. Douglas

*Assistant Examiner*—Rosemary K. Tarcza

(74) *Attorney, Agent, or Firm*—Jordan and Hamburg LLP

(57) **CLAIM**

We claim the ornamental design for a storage battery, as shown and described.

**DESCRIPTION**

FIG. 1 is a front elevational view of a storage battery showing the present design;

FIG. 2 is a top plan view thereof;

FIG. 3 is a bottom plan view thereof;

FIG. 4 is a right side elevational view thereof;

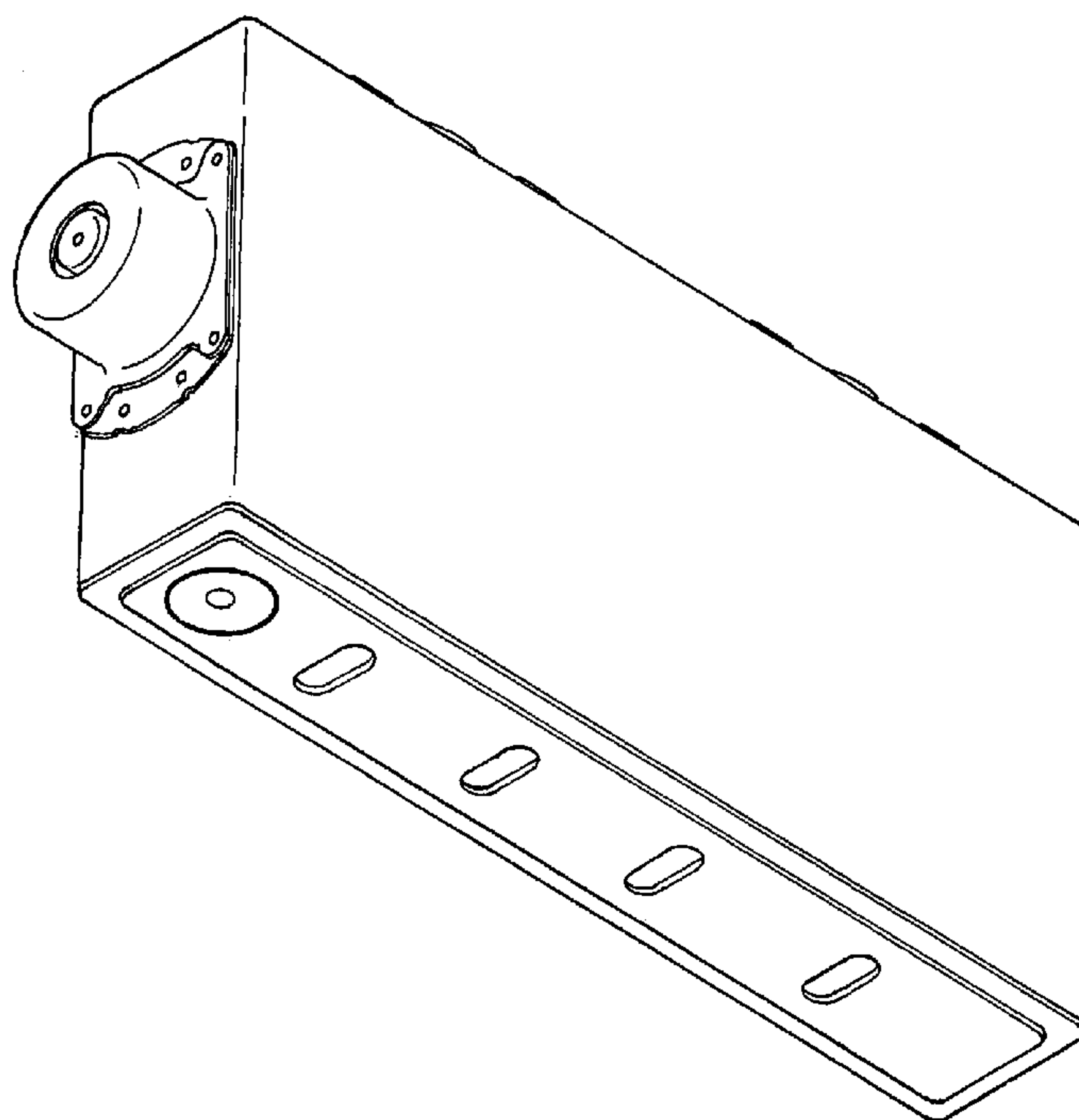
FIG. 5 is a left side elevational view thereof;

FIG. 6 is a perspective view thereof; and,

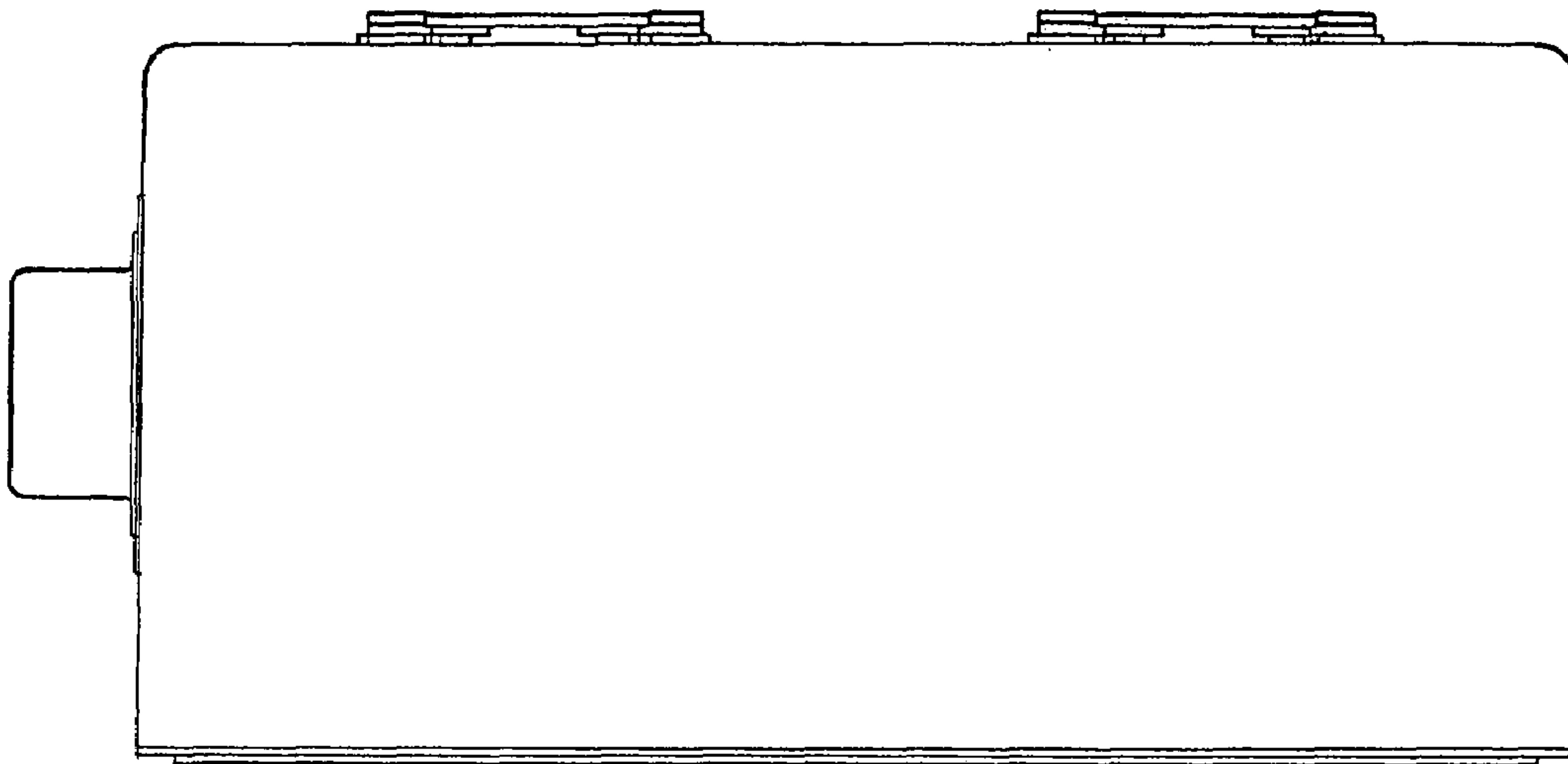
FIG. 7 is a cross-sectional view along line VII-VII in FIG. 5.

Note that a rear elevational view is omitted since it is symmetrical to a front elevational view.

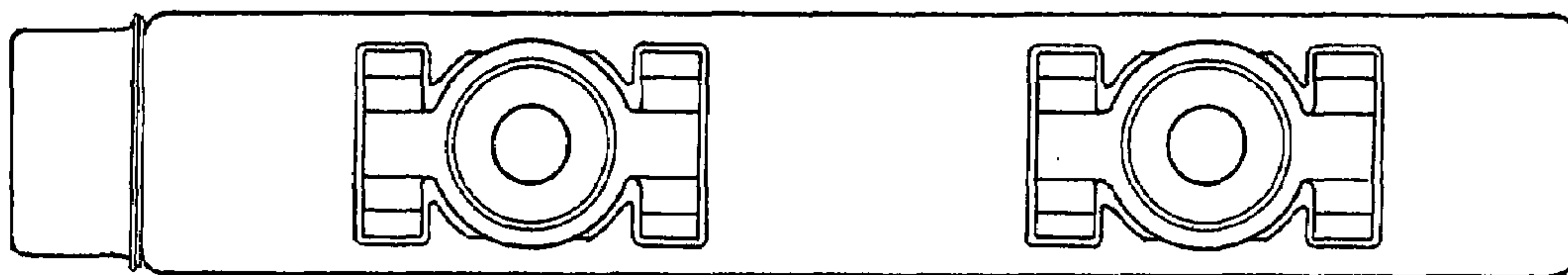
**1 Claim, 4 Drawing Sheets**



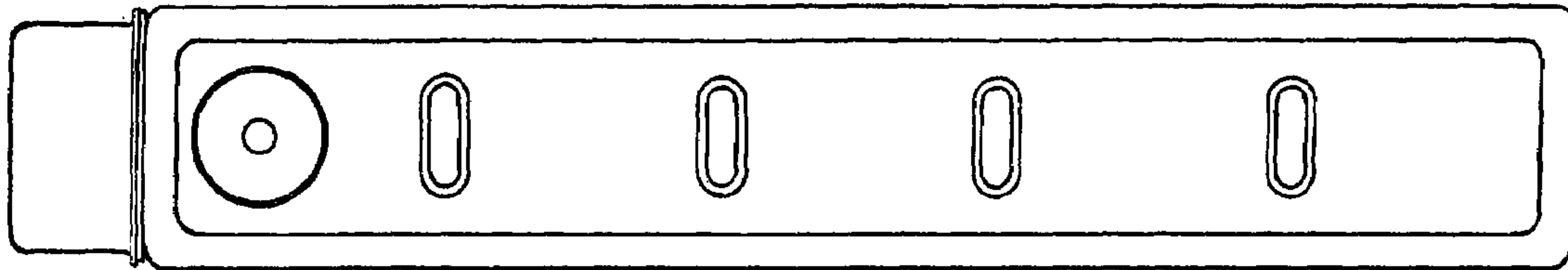
*Fig. 1*



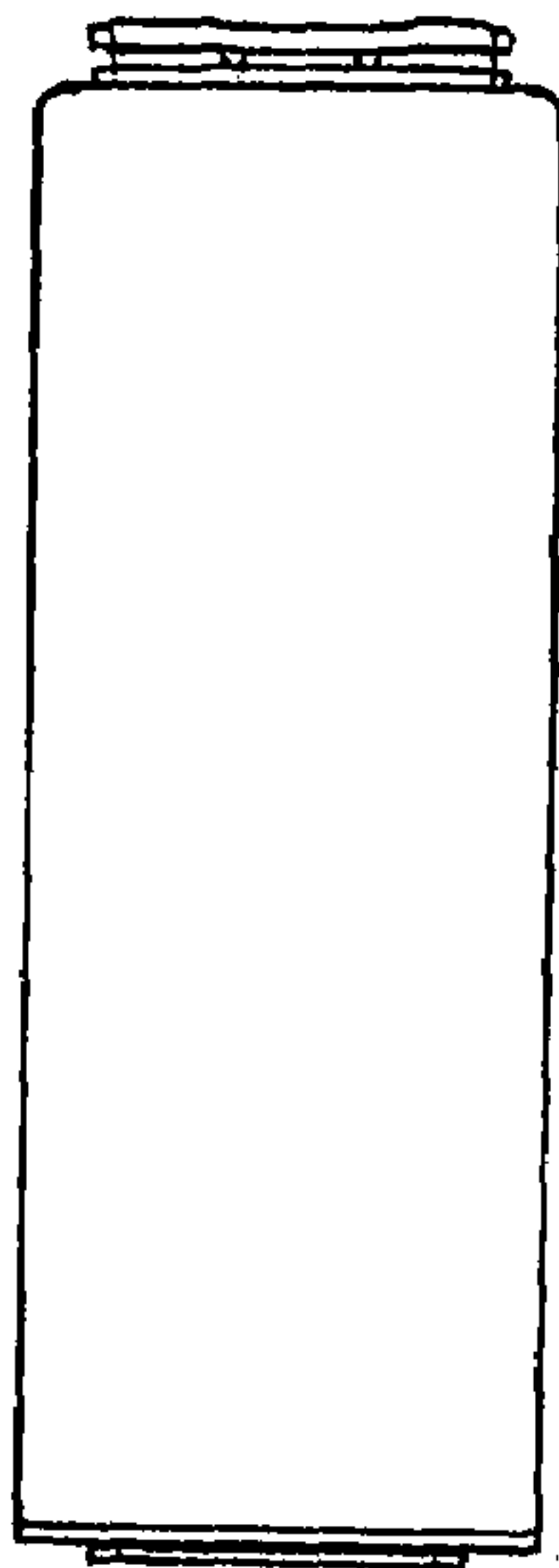
*Fig. 2*



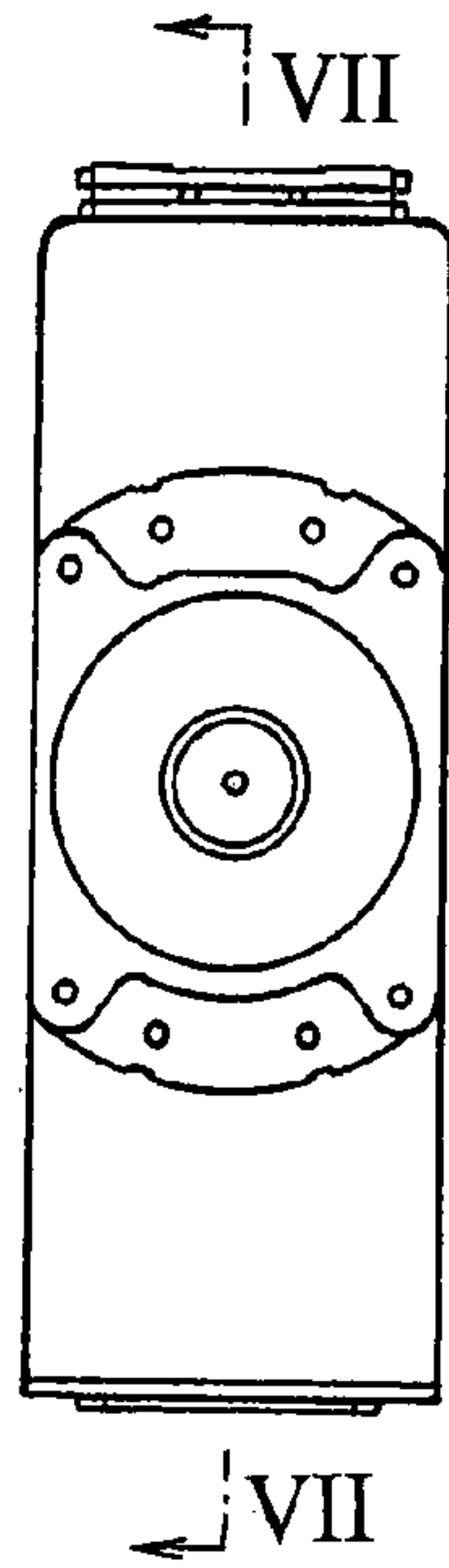
*Fig. 3*



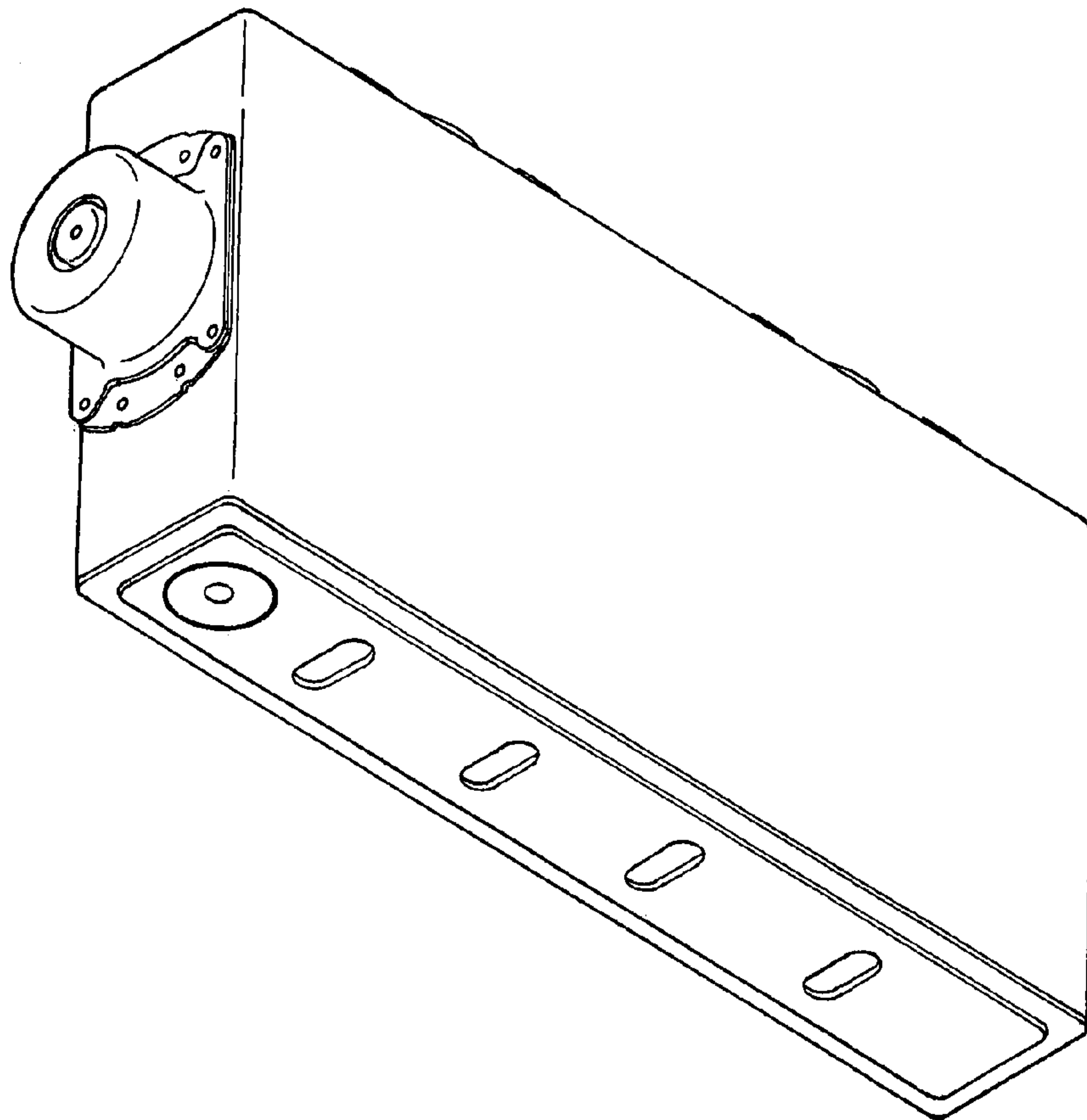
*Fig. 4*



*Fig. 5*



*Fig. 6*



*Fig. 7*

