



US00D548673S

(12) **United States Design Patent**  
**Graas et al.**

(10) **Patent No.:** **US D548,673 S**

(45) **Date of Patent:** **\*\* Aug. 14, 2007**

(54) **TIRE TREAD**

D496,324 S 9/2004 Graas et al. .... D12/541

\* cited by examiner

(75) Inventors: **Maurice Graas**, Reichlange (LU);  
**Roland Andre Terver**, Bissen (LU)

*Primary Examiner*—Robert M. Spear

*Assistant Examiner*—Katrina A. Kile

(73) Assignee: **The Goodyear Tire & Rubber Company**, Akron, OH (US)

(74) *Attorney, Agent, or Firm*—Richard B. O’Planick

(\*\*) Term: **14 Years**

(57) **CLAIM**

(21) Appl. No.: **29/255,793**

The ornamental design for a tire tread, as shown and described.

(22) Filed: **Jun. 26, 2006**

**DESCRIPTION**

(51) **LOC (8) Cl.** ..... **12-15**

FIG. 1 is a perspective view of a tire tread showing our new design, it being understood that the pattern repeats uniformly throughout the circumference of the tread;

(52) **U.S. Cl.** ..... **D12/544**

FIG. 2 is a front elevational view thereof;

(58) **Field of Classification Search** ..... D12/544,  
D12/535, 536, 564, 565, 571, 579, 585, 597,  
D12/600, 601, 603, 605; 152/209.1, 209.8,  
152/209.18, 209.25, 209.28

FIG. 3 is a right side elevational view thereof; the other side being a mirror image thereof; and,

See application file for complete search history.

FIG. 4 is an enlarged fragmentary front elevational view thereof.

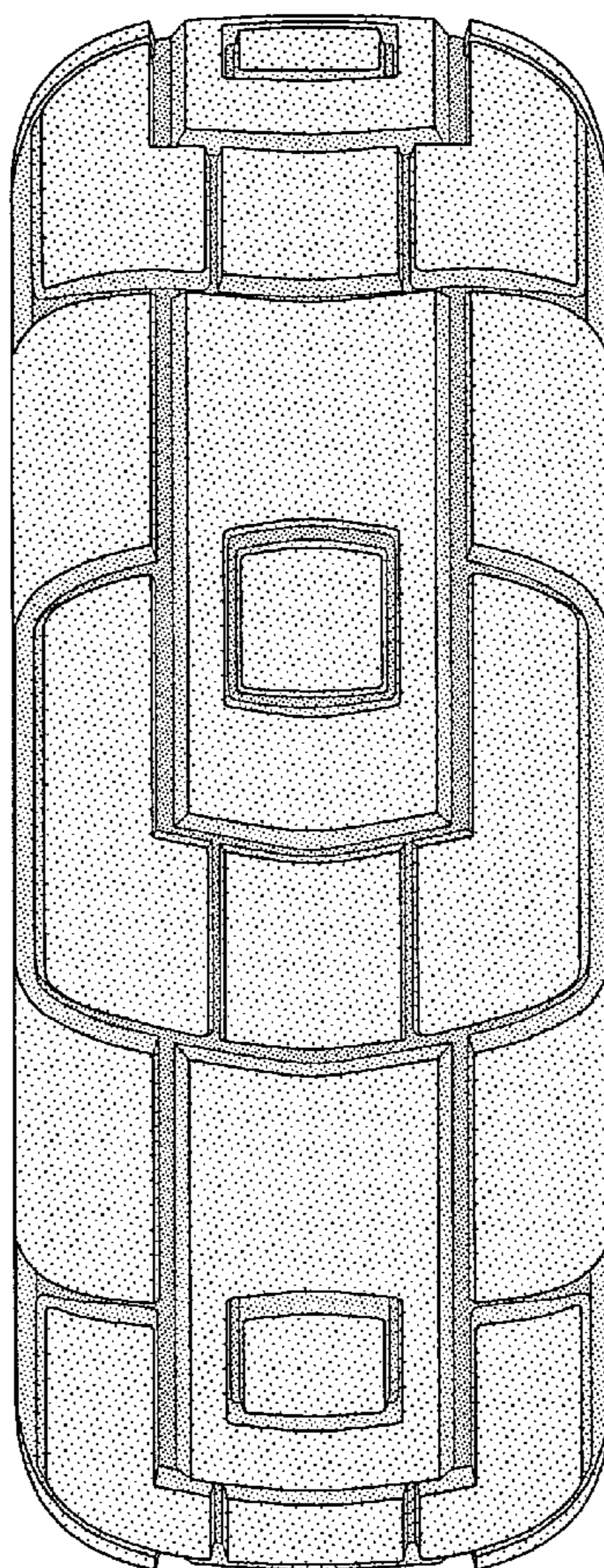
(56) **References Cited**

In the drawings, the broken lines defining the sidewall, inner bead and the peripheral boundary between the tire tread and the sidewall are for illustrative purposes only and form no part of the claimed design.

**U.S. PATENT DOCUMENTS**

D60,753 S	*	4/1922	Lightfoot	.....	D12/535
D400,141 S		10/1998	Maxwell	.....	D12/149
D444,108 S		6/2001	Maxwell	.....	D12/147
D451,449 S		12/2001	Maxwell	.....	D12/147

**1 Claim, 4 Drawing Sheets**



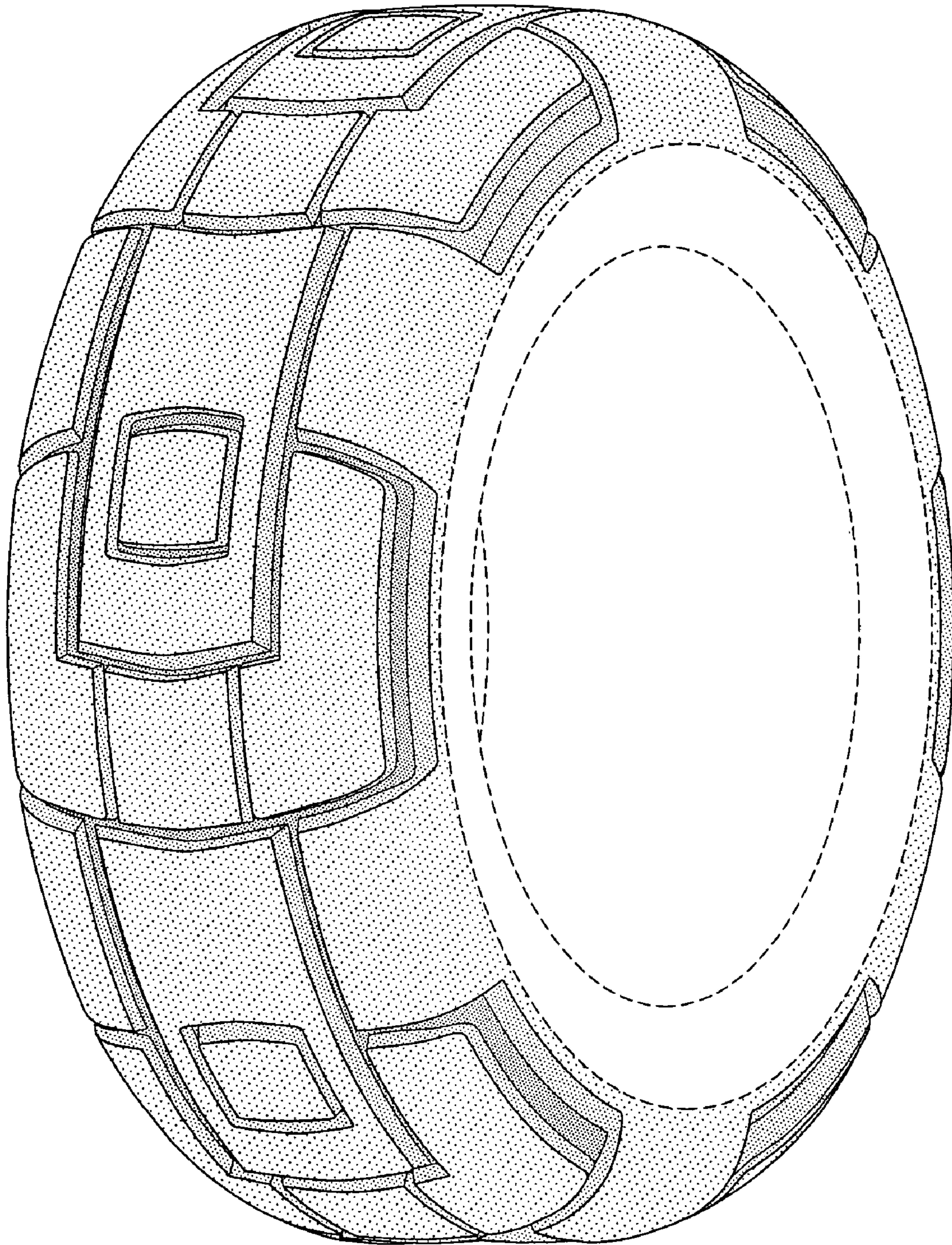


FIG-1

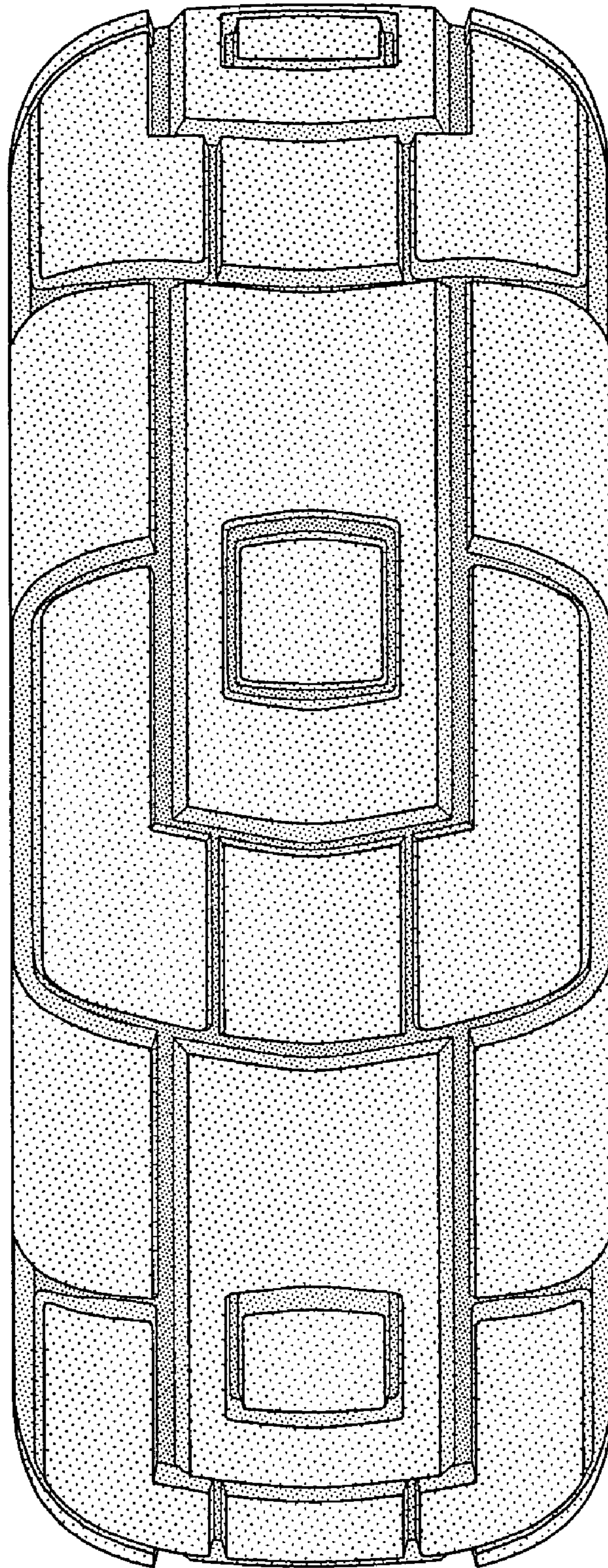


FIG-2

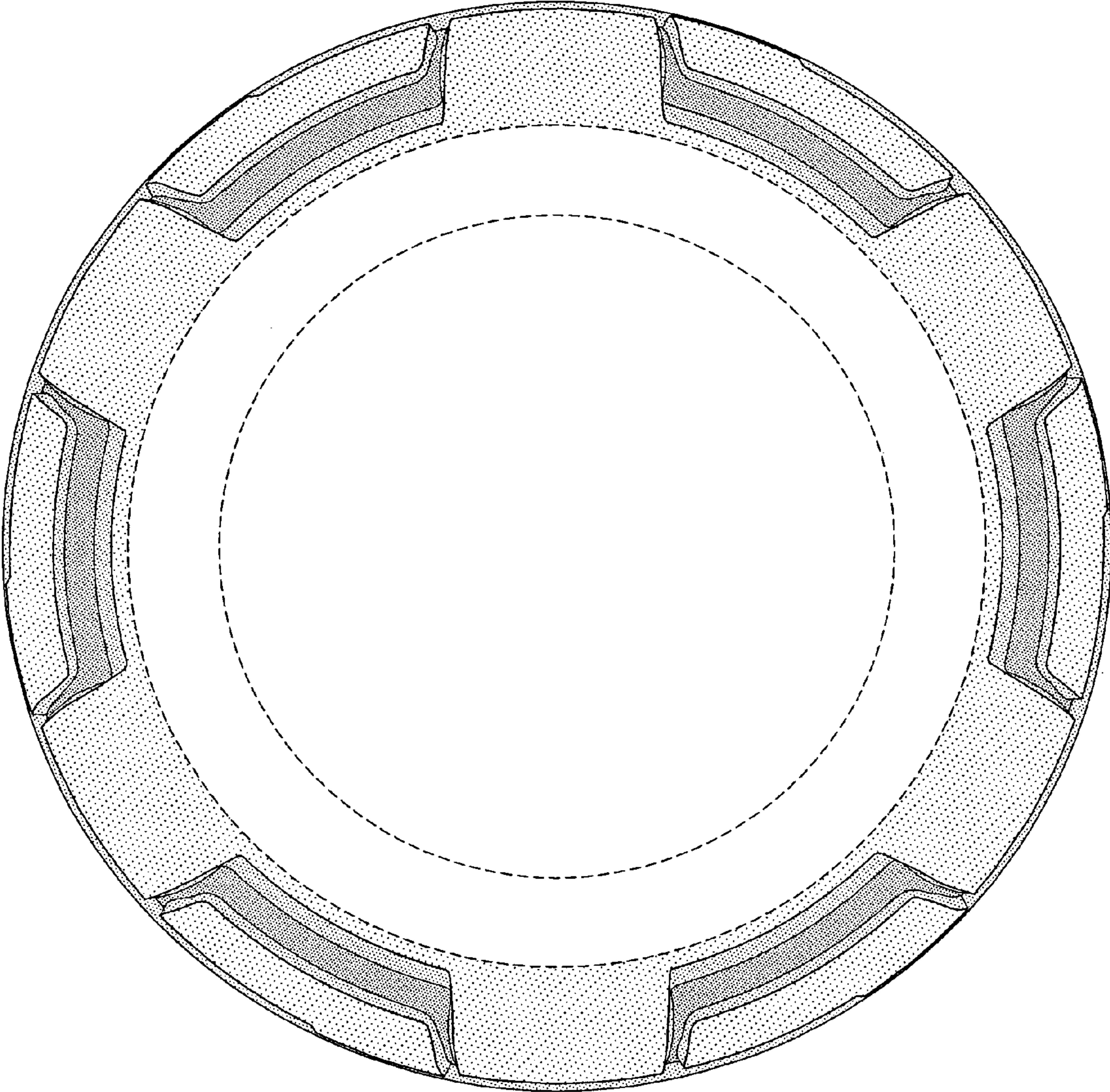


FIG-3

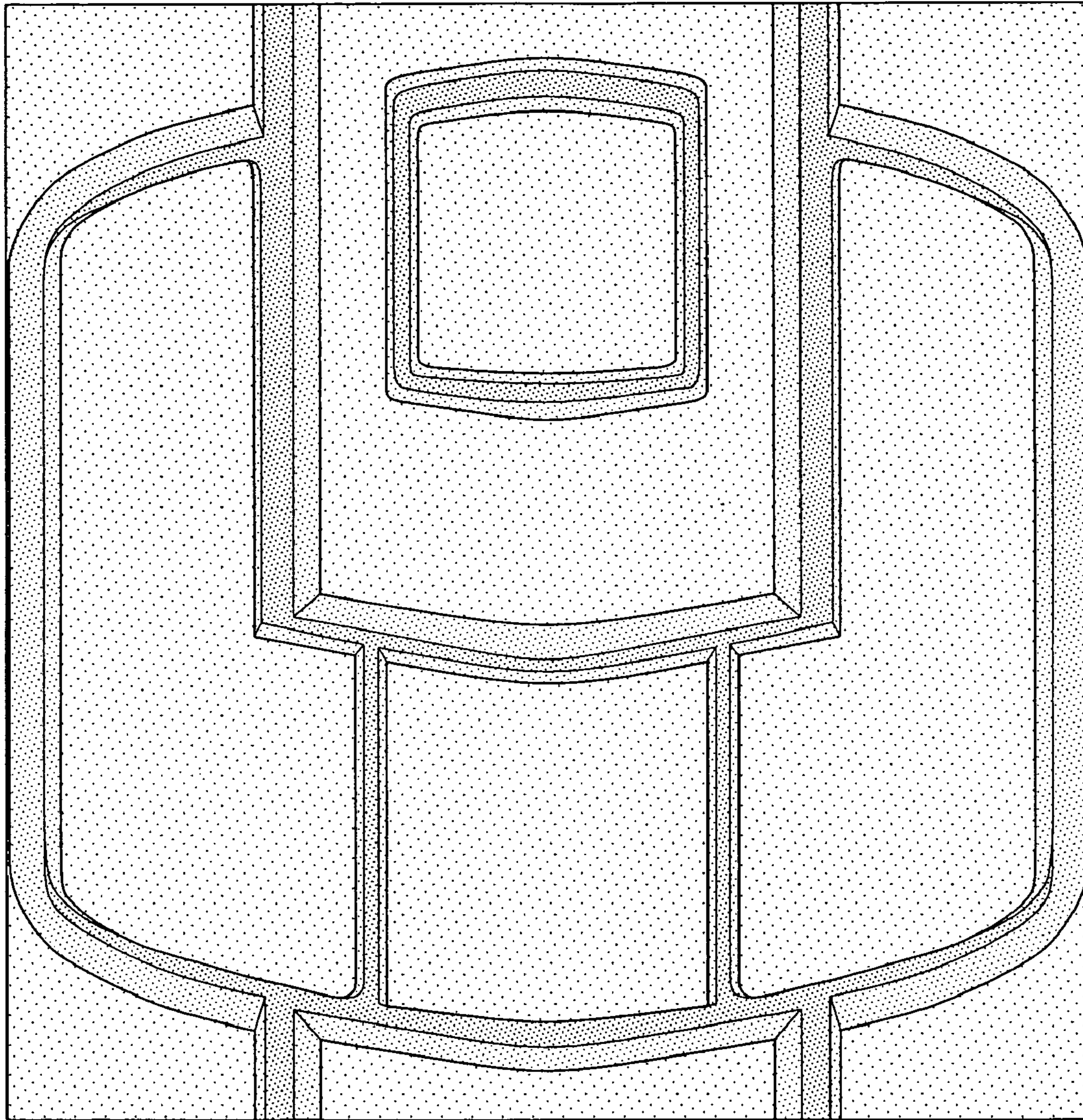


FIG-4