



US00D548672S

(12) **United States Design Patent**
Hatch

(10) **Patent No.:** **US D548,672 S**

(45) **Date of Patent:** **** Aug. 14, 2007**

(54) **END POSITION MODULAR STORAGE
CABINET OF A TRUCK VEHICLE**

(75) Inventor: **Richard B. Hatch**, Fort Wayne, IN
(US)

(73) Assignee: **International Truck and Engine
Corporation Canada**, Warrenville, IL
(US)

(**) Term: **14 Years**

(21) Appl. No.: **29/232,223**

(22) Filed: **Jun. 16, 2005**

(51) **LOC (8) Cl.** **12-16**

(52) **U.S. Cl.** **D12/423**

(58) **Field of Classification Search** D12/415,
D12/419, 421, 423-426.1; D19/75, 65; D3/272-273,
D3/905; D6/406.3-406.4, 441-443; 296/37.1,
296/37.6, 37.8, 37.14-37.16; 224/275, 539-543,
224/400-403, 328

See application file for complete search history.

(56) **References Cited**

U.S. PATENT DOCUMENTS

D324,303 S * 3/1992 Miller D12/424
D329,944 S * 10/1992 Longtin D12/423
D410,620 S * 6/1999 Sacco et al. D12/415

D415,732 S * 10/1999 Latham D12/419
D453,137 S * 1/2002 Walterscheid et al. D12/423
D453,138 S * 1/2002 Walterscheid et al. D12/424
6,338,429 B1 * 1/2002 Pesce 224/539
D460,635 S * 7/2002 Lieberman et al. D6/406.3
6,422,440 B1 * 7/2002 Stone 224/275
D462,171 S * 9/2002 Elabour D3/284
D494,535 S * 8/2004 McCoy et al. D12/423
D495,989 S * 9/2004 Kohara D12/424

* cited by examiner

Primary Examiner—Stacia Cadmus

(74) *Attorney, Agent, or Firm*—Gerald W. Askew; Jeffrey P. Calfa; Susan L. Lukasik

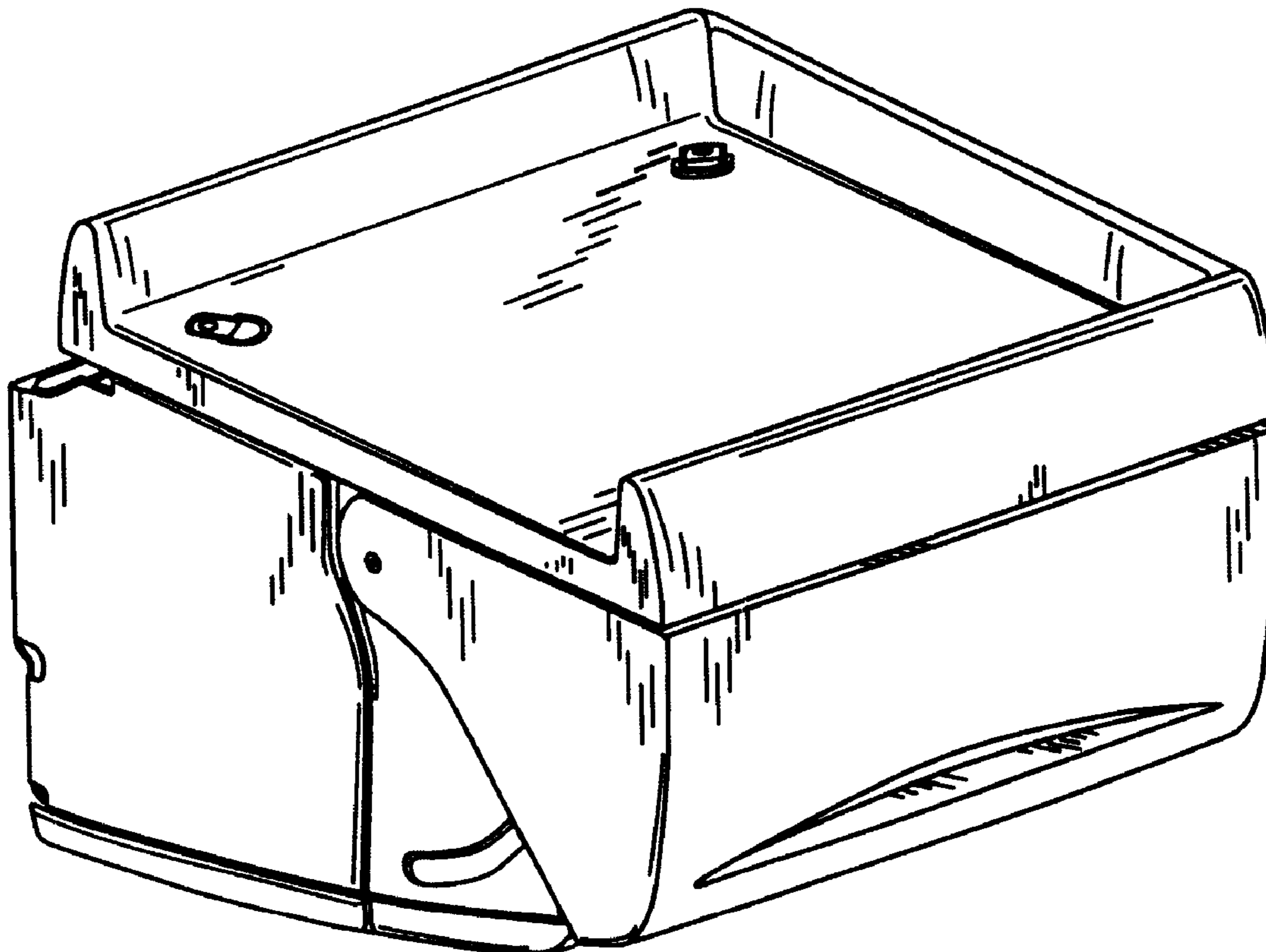
(57) **CLAIM**

The ornamental design for an end position modular storage cabinet of a truck vehicle, as shown and described.

DESCRIPTION

FIG. 1 is a right, front perspective view of a left side embodiment of an end position modular storage cabinet of a truck showing my new design;
FIG. 2 is a right view thereof;
FIG. 3 is a front view thereof;
FIG. 4 is a top view thereof; and,
FIG. 5 is a bottom view thereof.

1 Claim, 2 Drawing Sheets



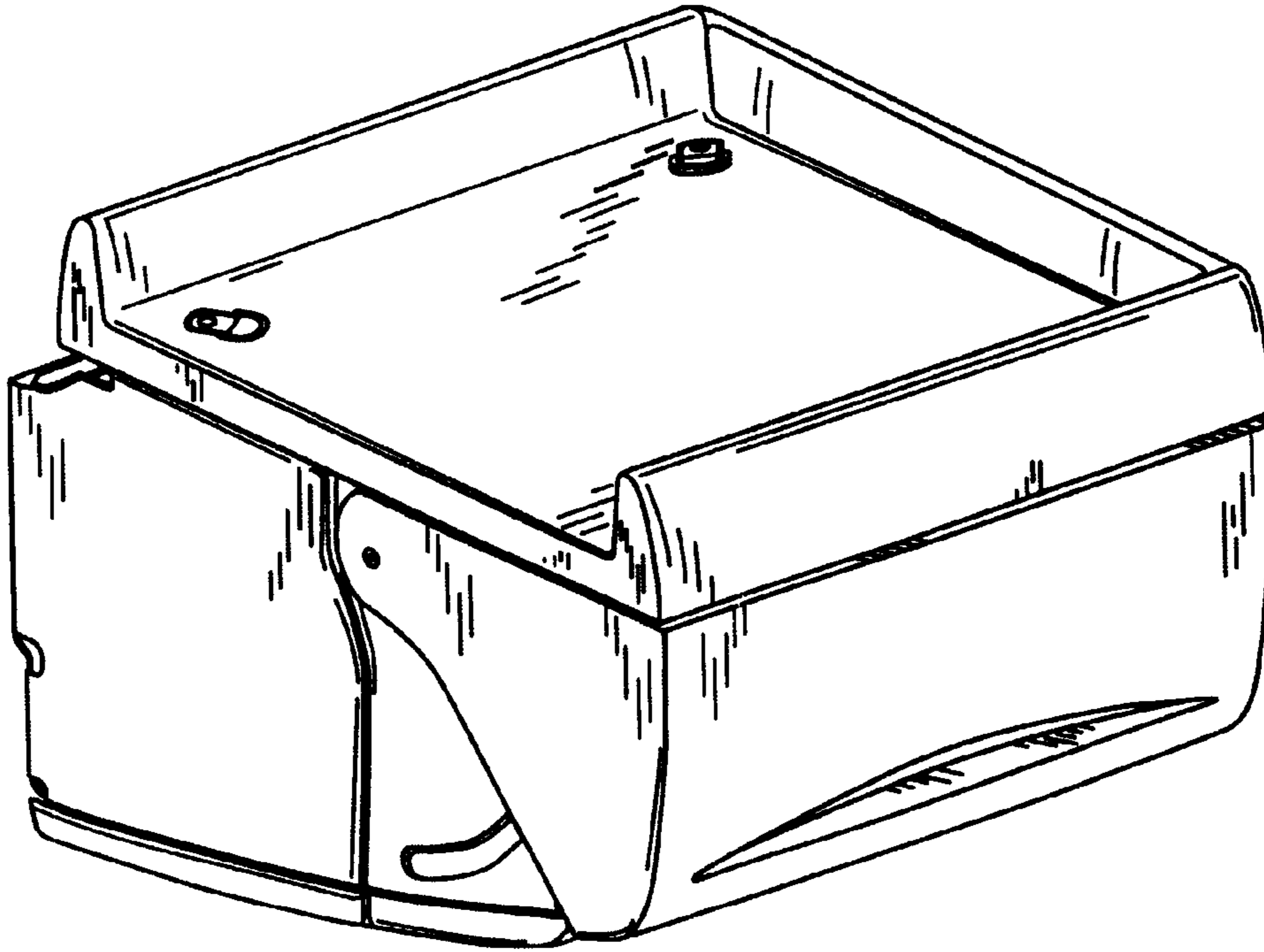


FIG. 1

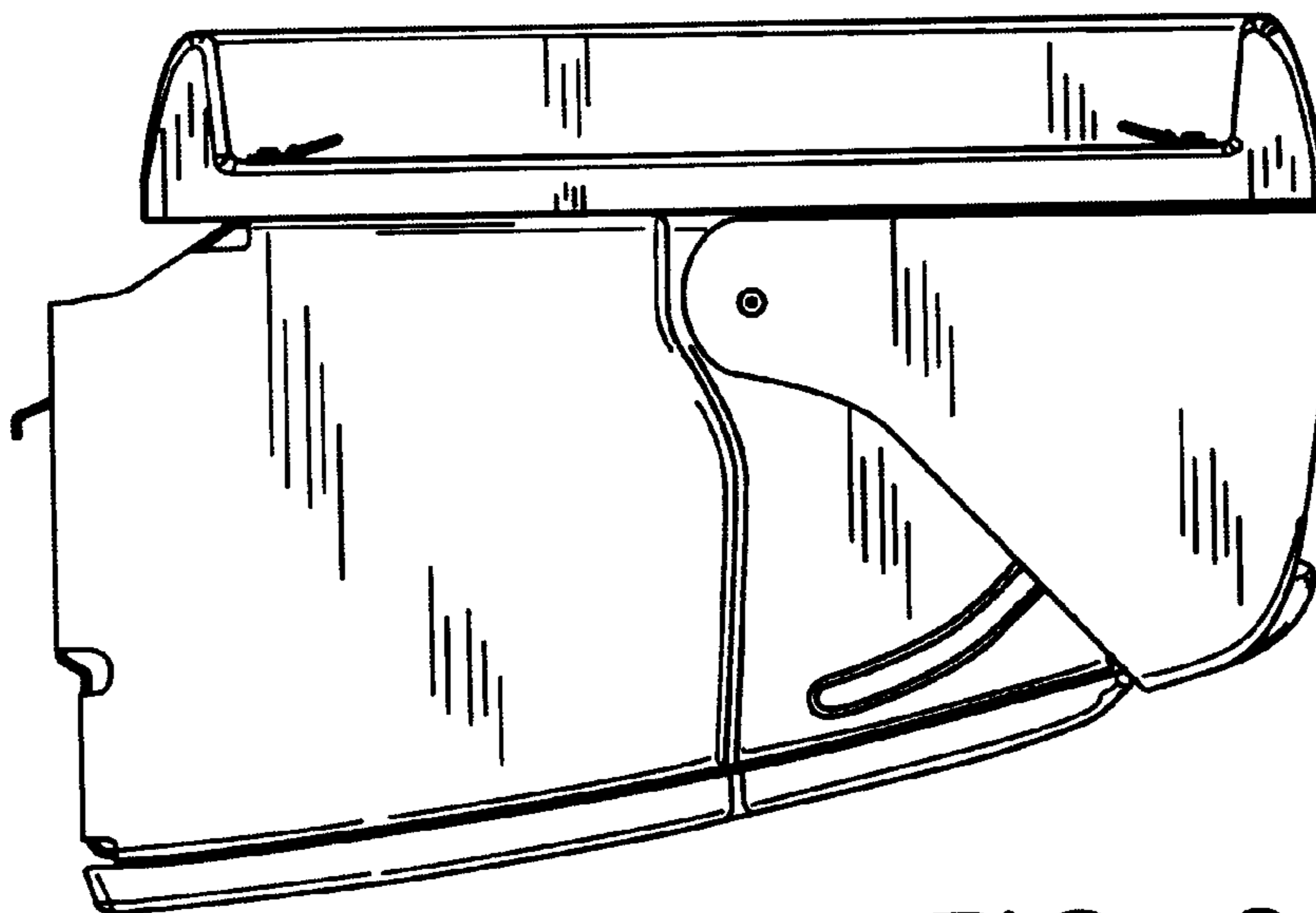


FIG. 2

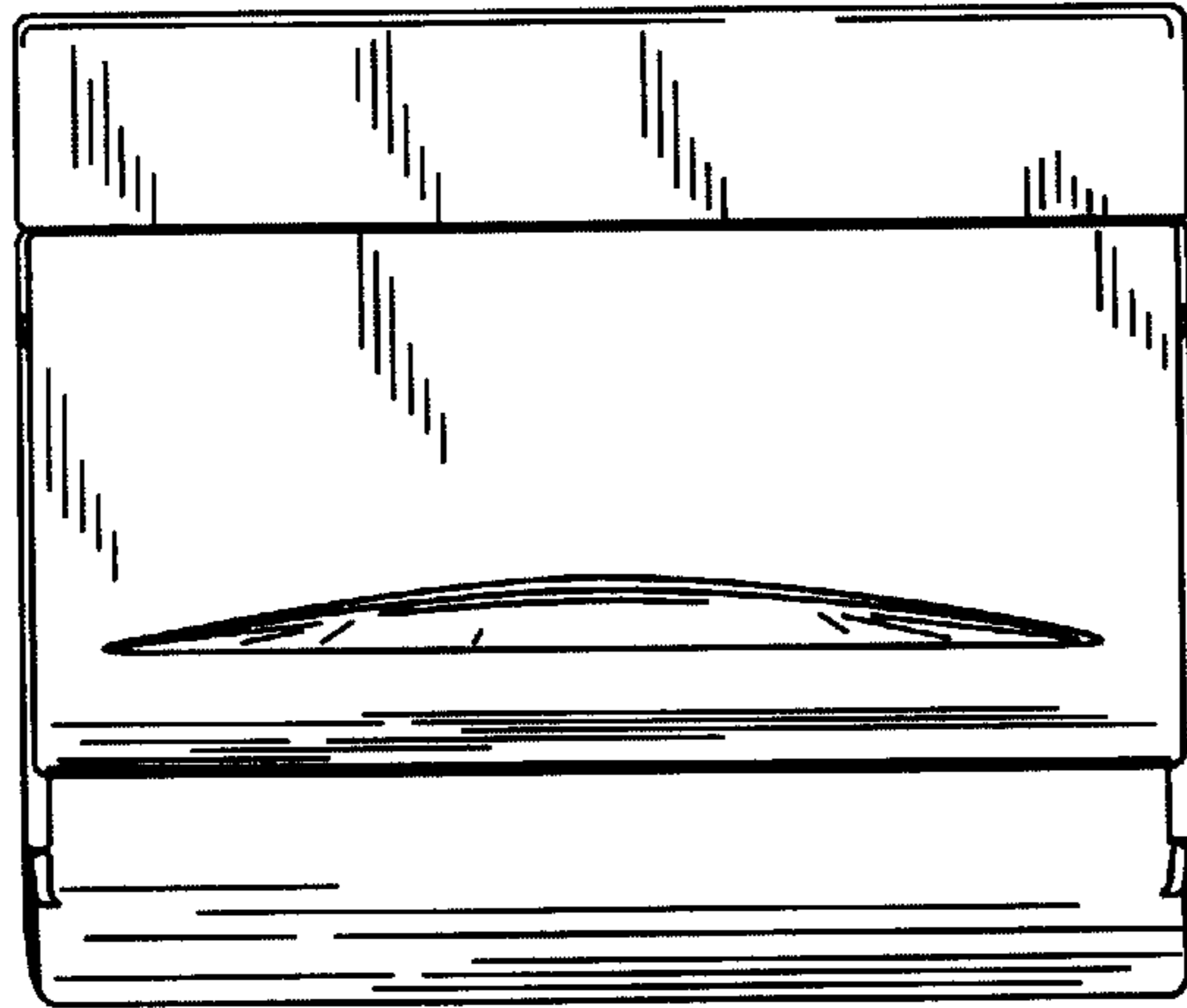


FIG. 3

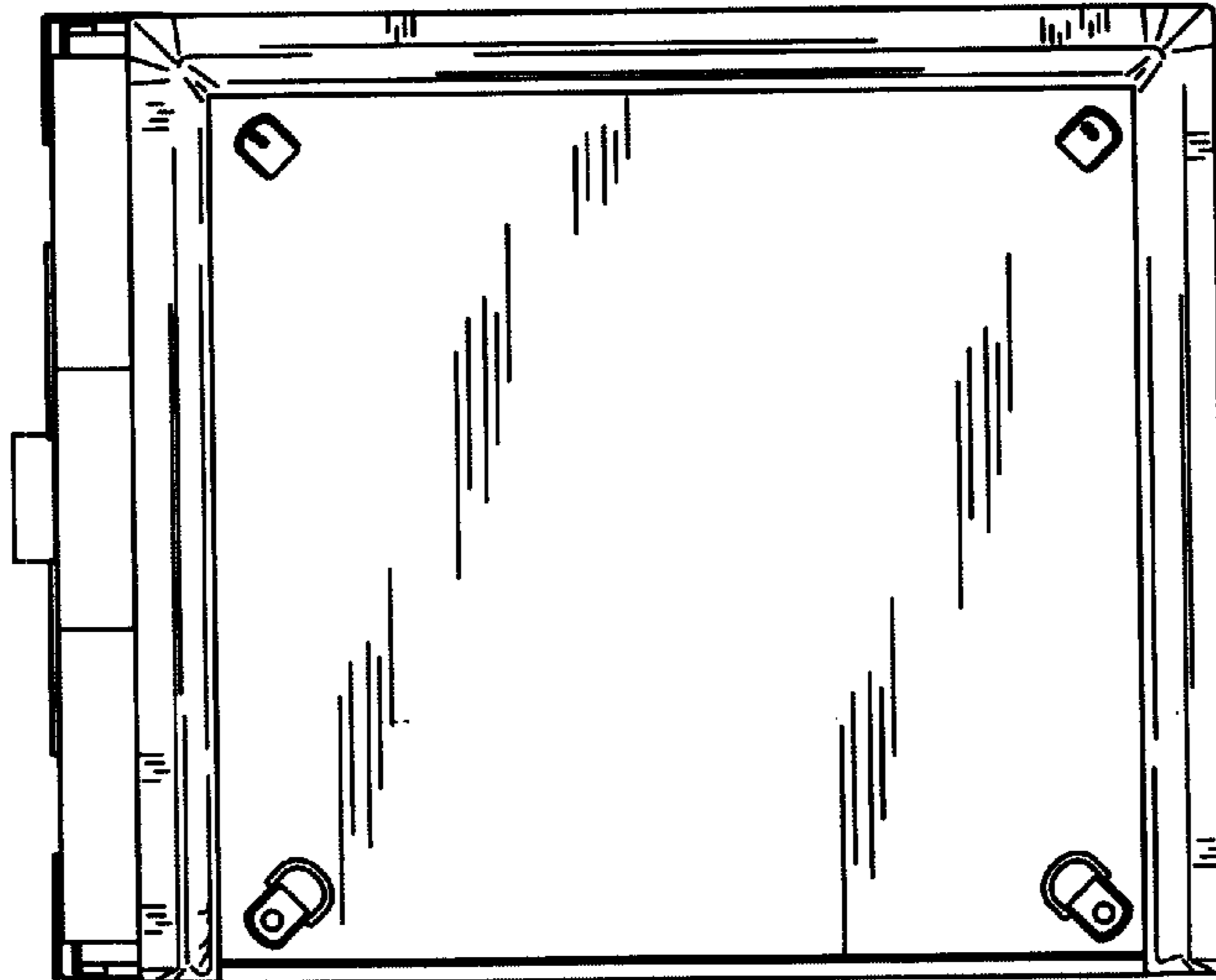


FIG. 4

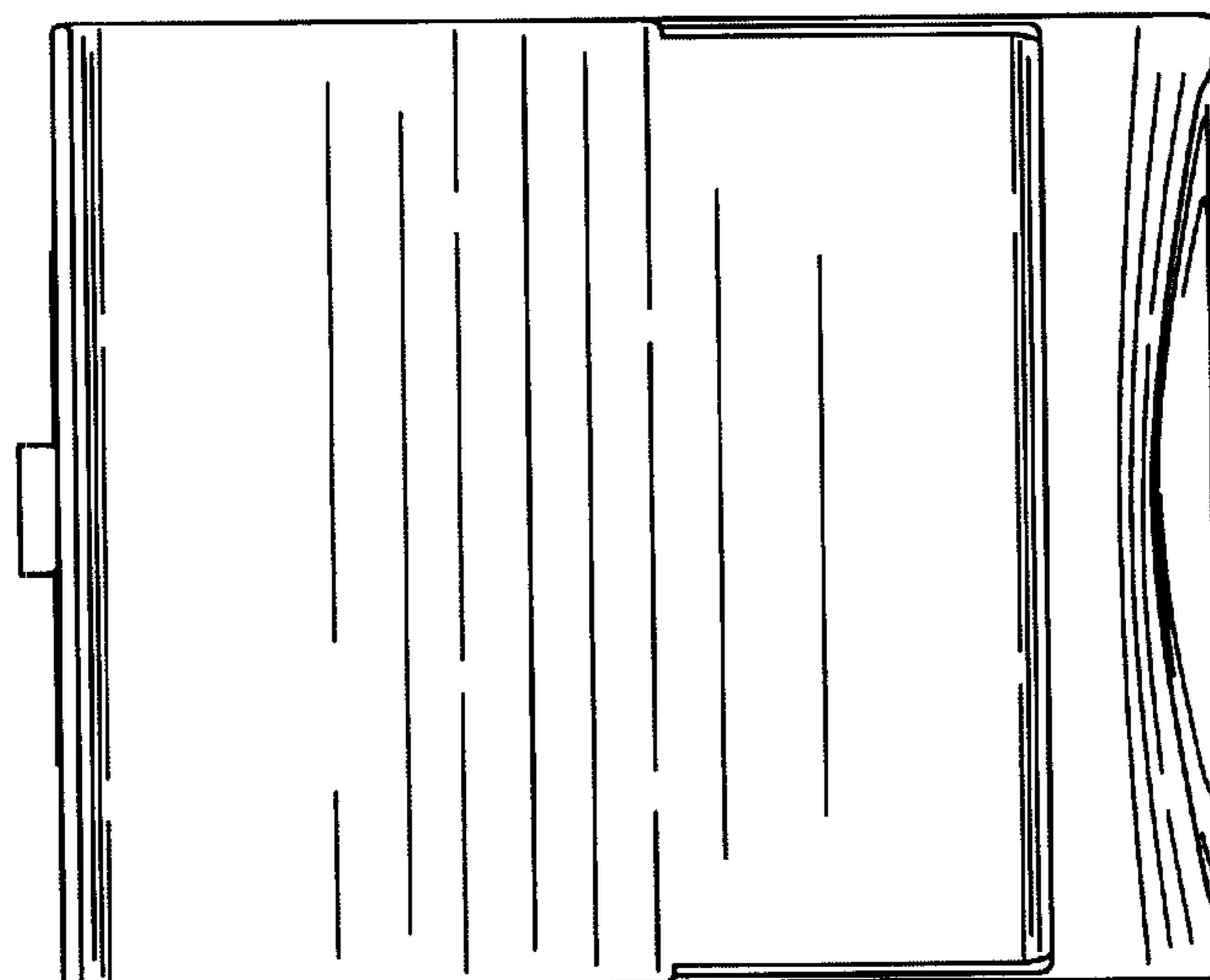


FIG. 5