

US00D548670S

(12) **United States Design Patent** (10) **Patent No.:** **US D548,670 S**  
**Ezra** (45) **Date of Patent:** **\*\* Aug. 14, 2007**

(54) **JET SKI CARRIER**

(76) Inventor: **Brandon Joshua Ezra**, 9341 S. State Road 39, Winamac, IN (US) 46996

(\*\*) Term: **14 Years**

(21) Appl. No.: **29/273,943**

(22) Filed: **Mar. 19, 2007**

(51) **LOC (8) Cl.** ..... **12-16**

(52) **U.S. Cl.** ..... **D12/406**

(58) **Field of Classification Search** ..... D12/400, D12/406, 412-414.1, 162, 408; D6/552; 280/760-762, 769, 727, 30, 414.1; 414/462, 414/537; 410/3; 224/539, 519, 485, 510-511, 224/522, 524, 400-401, 489-490, 494, 924, 224/42.32, 42.33, 402-405; D34/32; 254/88; 114/344

See application file for complete search history.

(56) **References Cited**

**U.S. PATENT DOCUMENTS**

- 3,912,139 A \* 10/1975 Bowman ..... D12/408
- 4,603,872 A 8/1986 White
- 4,856,686 A 8/1989 Workentine
- D306,992 S 4/1990 Prendergast
- 5,005,846 A \* 4/1991 Taylor ..... 280/30
- D360,729 S 7/1995 Collins
- 5,492,454 A \* 2/1996 Colyer ..... 414/462
- 5,649,656 A 7/1997 Davy
- D393,241 S 4/1998 Diotte
- 5,752,799 A 5/1998 Carey et al.
- 5,899,655 A 5/1999 Miller et al.

- 6,095,387 A 8/2000 Lipscomb
- D440,934 S \* 4/2001 Cataldo ..... D12/408
- 6,361,060 B1 \* 3/2002 Kamminga ..... 280/414.1
- 6,390,343 B1 5/2002 Jain
- D458,579 S 6/2002 Adams et al.
- D467,219 S \* 12/2002 Peschmann ..... D12/408
- D485,516 S \* 1/2004 McCoy et al. .... D12/162
- 6,887,027 B2 \* 5/2005 O'Leary et al. .... 414/462
- D528,064 S \* 9/2006 Ezra ..... D12/408
- D528,065 S \* 9/2006 Ezra ..... D12/408
- D528,966 S \* 9/2006 Ezra ..... D12/408
- 7,143,713 B1 \* 12/2006 Richardson et al. .... 114/344
- D539,211 S \* 3/2007 Ezra ..... D12/406

\* cited by examiner

*Primary Examiner*—Stacia Cadmus

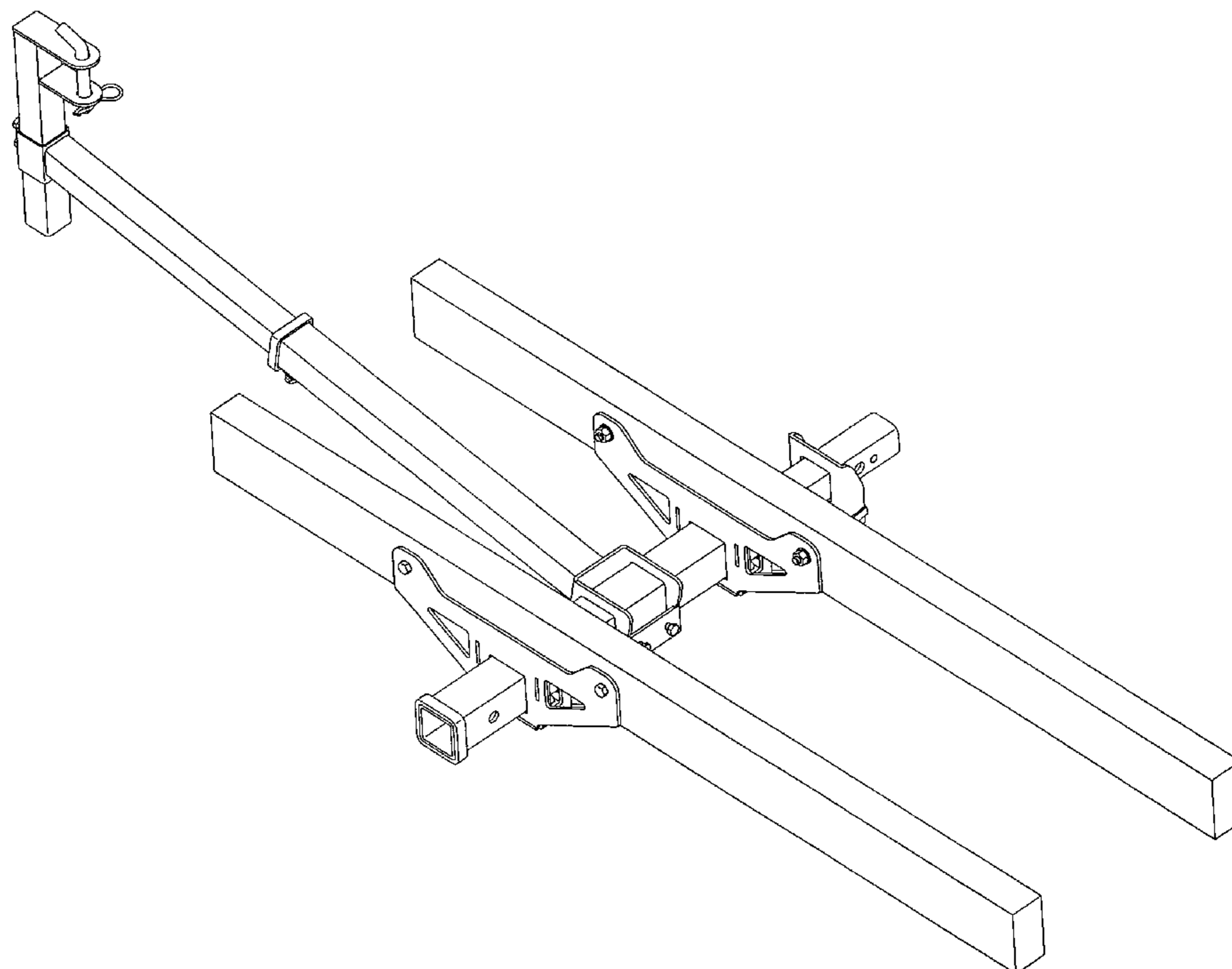
(57) **CLAIM**

The ornamental design for a jet ski carrier, as shown and described.

**DESCRIPTION**

- FIG. 1 is a front perspective view of a jet ski carrier.
- FIG. 2 is a rear perspective view of a jet ski carrier.
- FIG. 3 is a front elevation view of the jet ski carrier.
- FIG. 4 is a rear elevation view of the jet ski carrier.
- FIG. 5 is a top plan elevation view of the jet ski carrier.
- FIG. 6 is a bottom plan elevation view of the jet ski carrier.
- FIG. 7 is a left side elevation view of the jet ski carrier; and,
- FIG. 8 is a right side elevation view of the jet ski carrier.

**1 Claim, 8 Drawing Sheets**



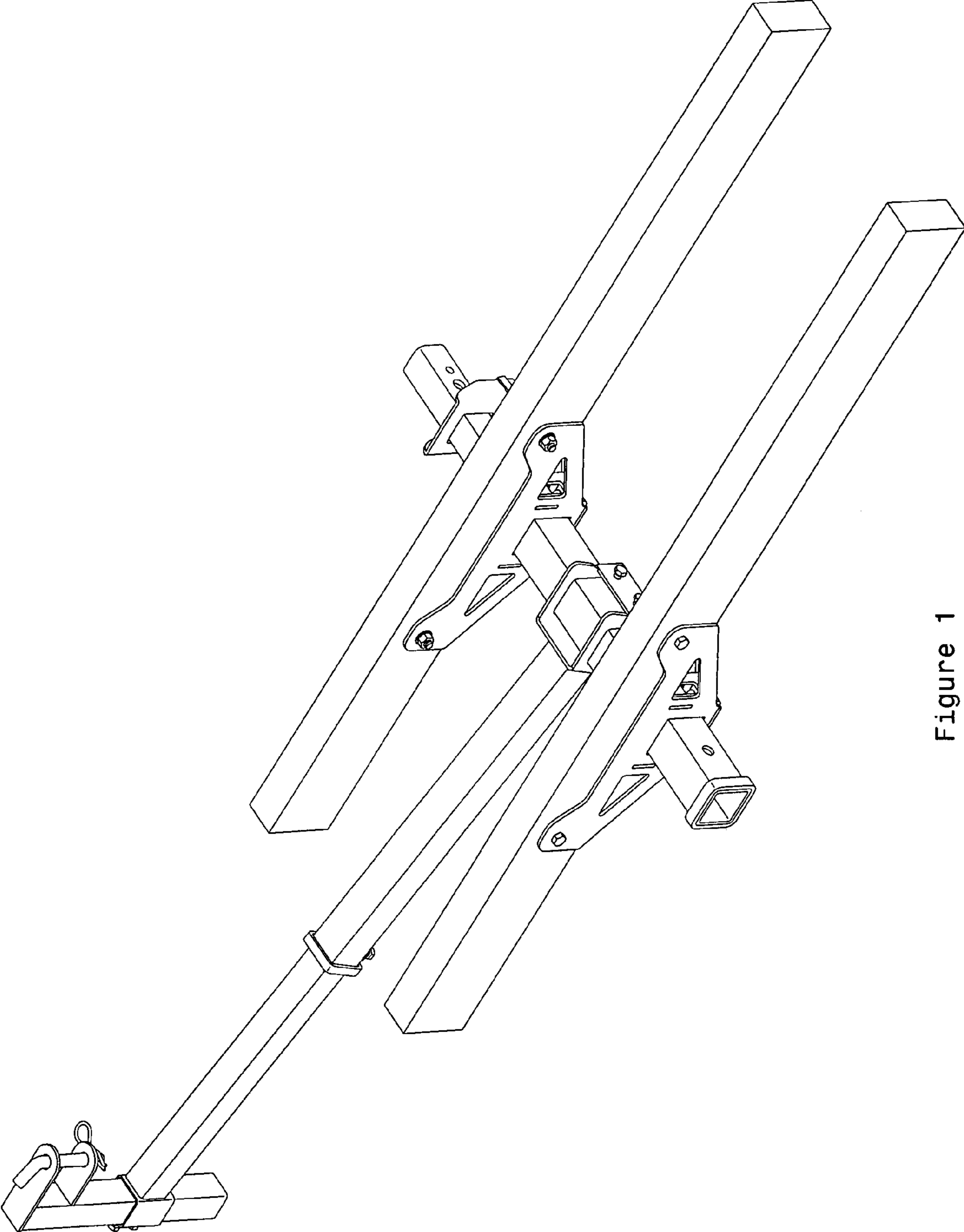


Figure 1

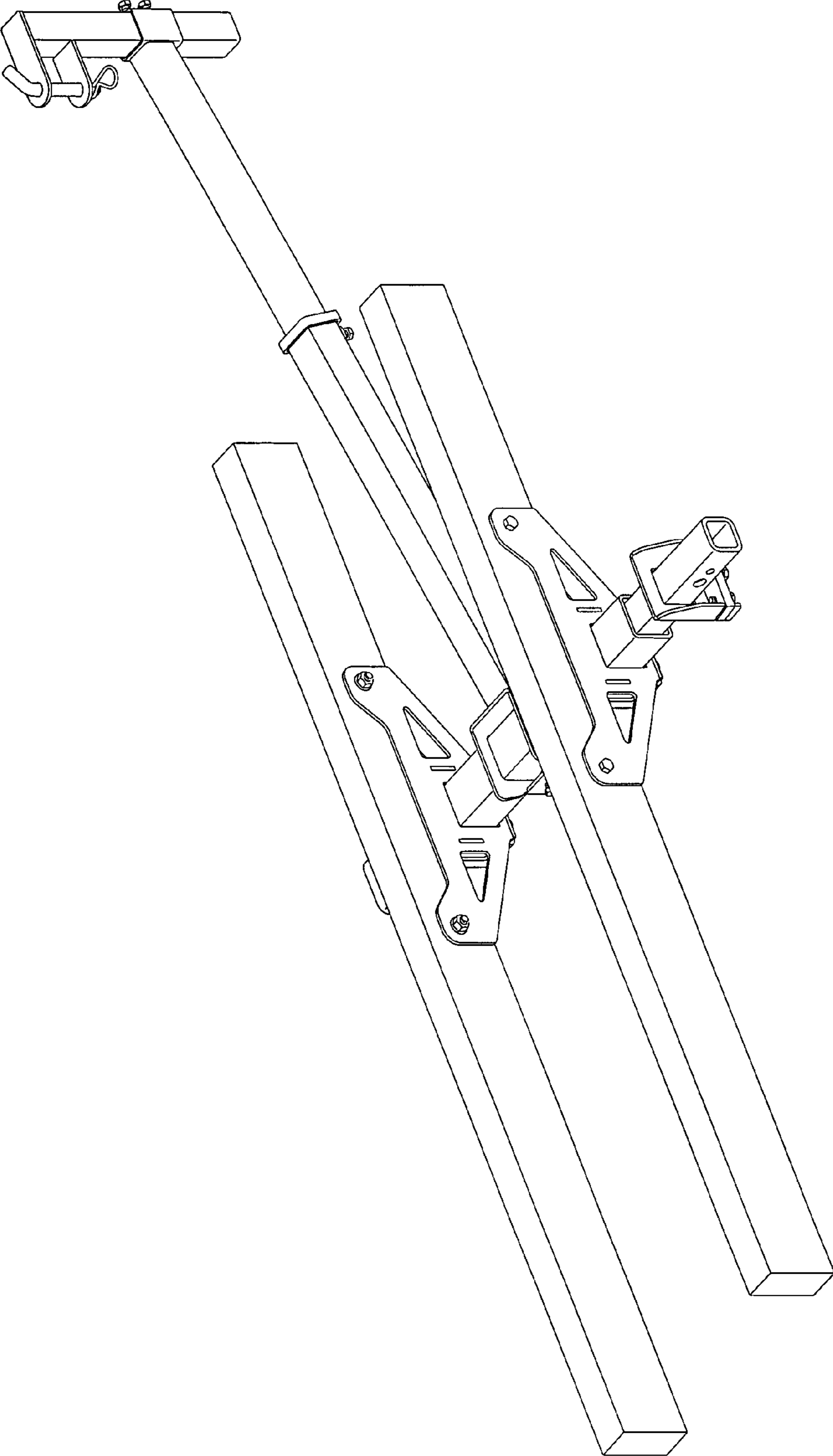


Figure 2

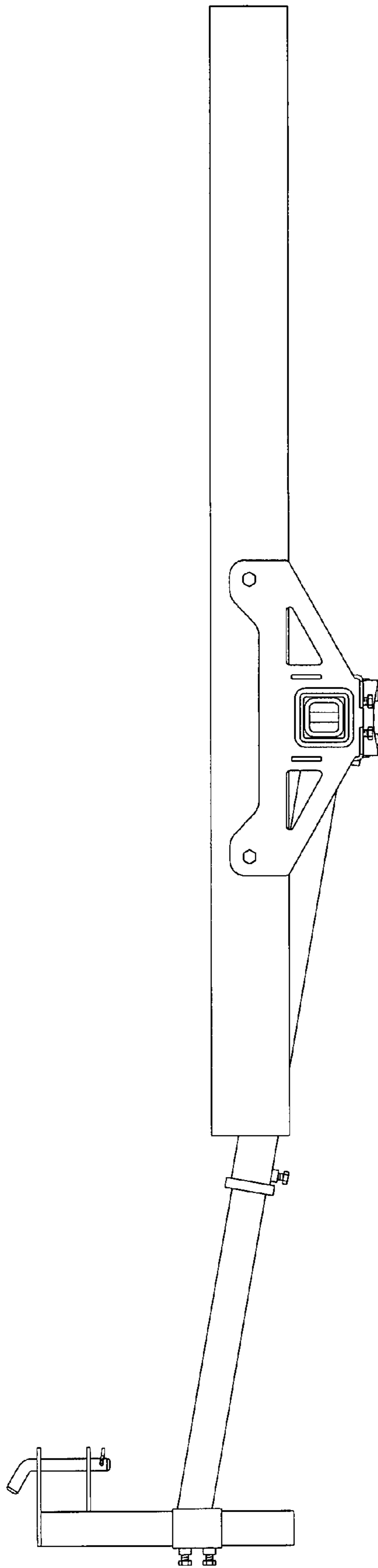


Figure 3

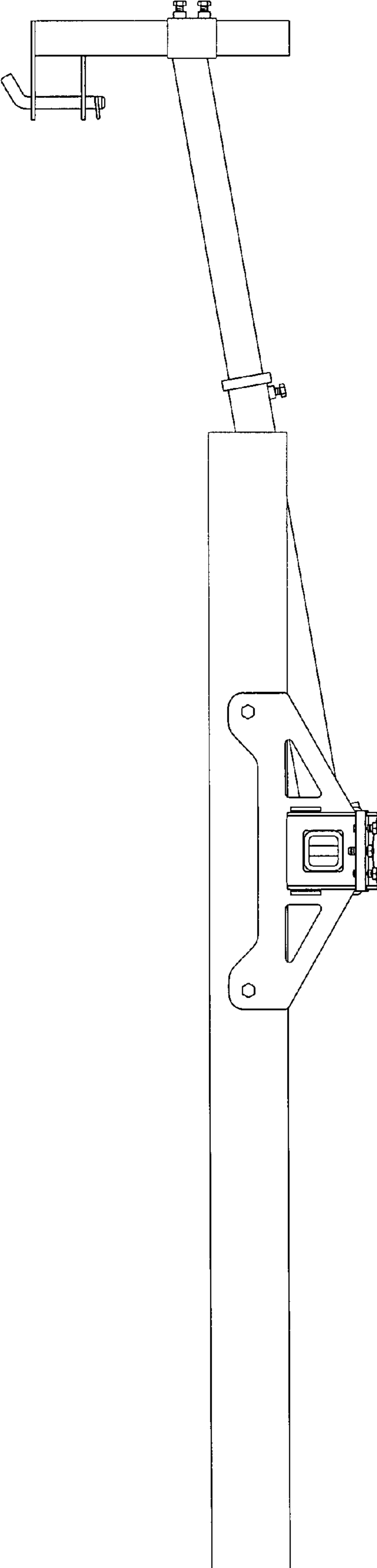


Figure 4

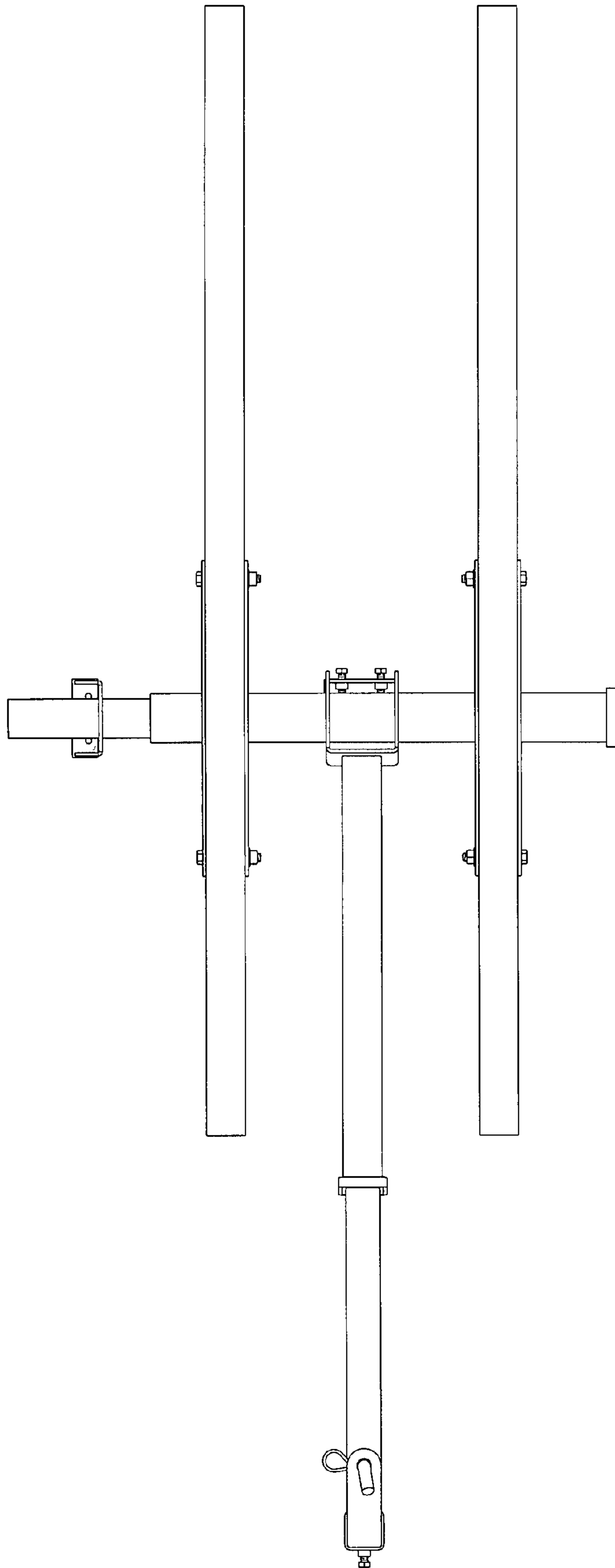


Figure 5

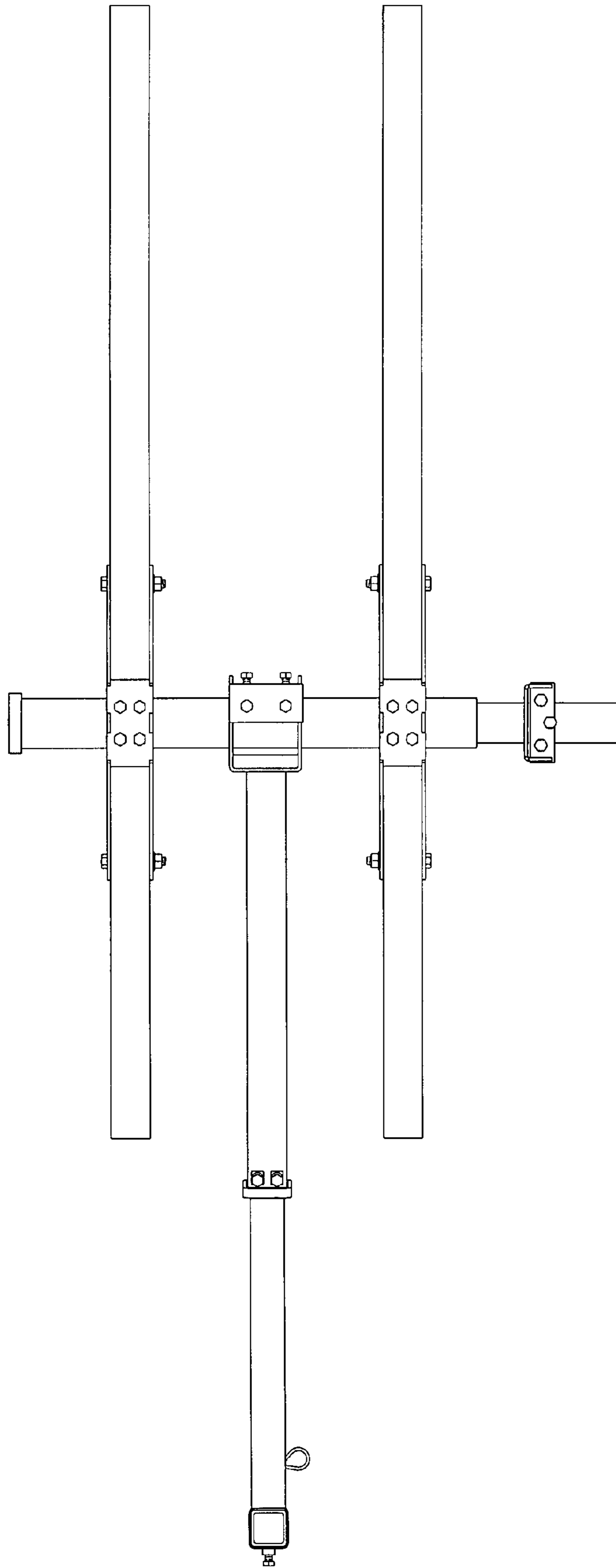


Figure 6

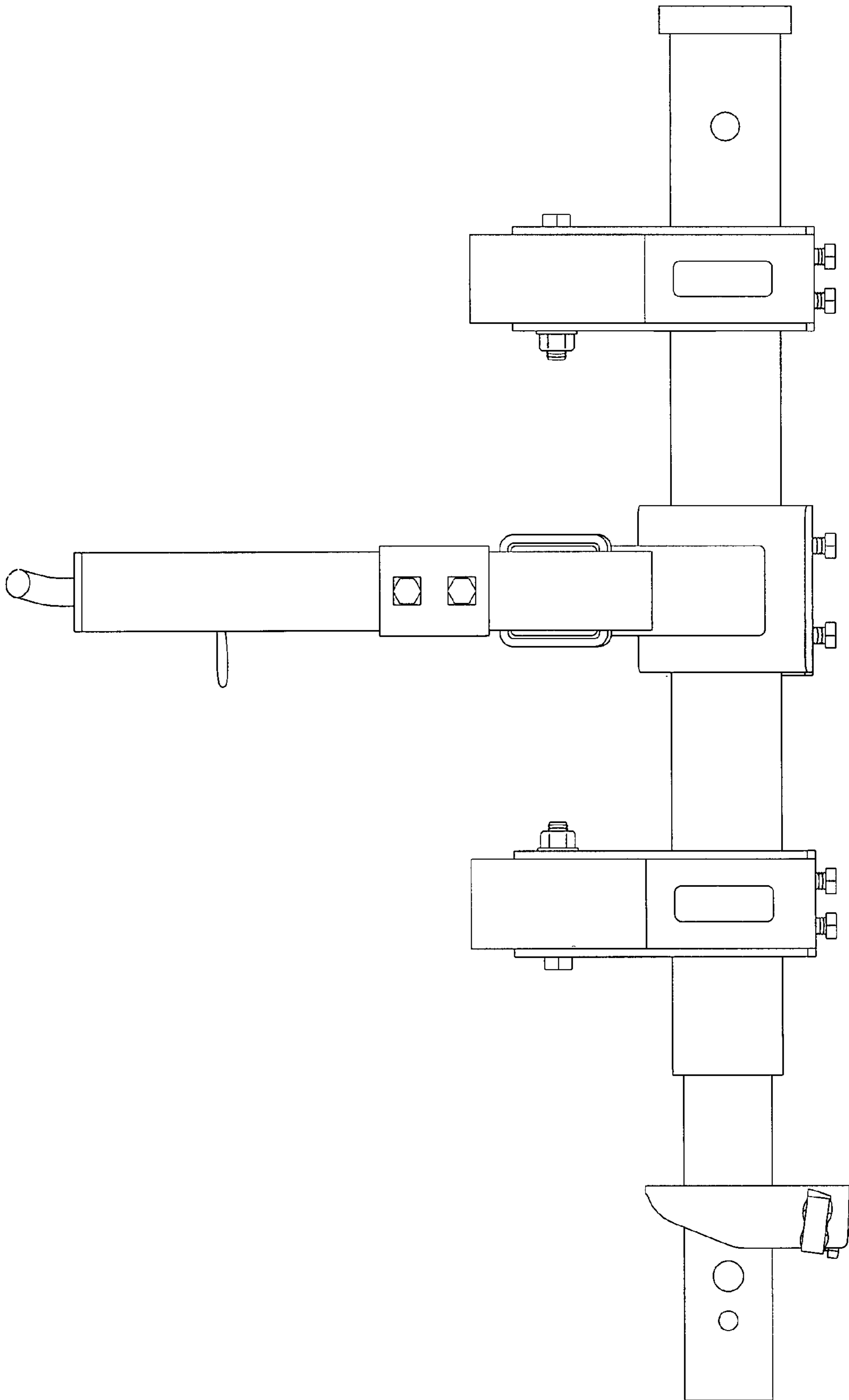


Figure 7



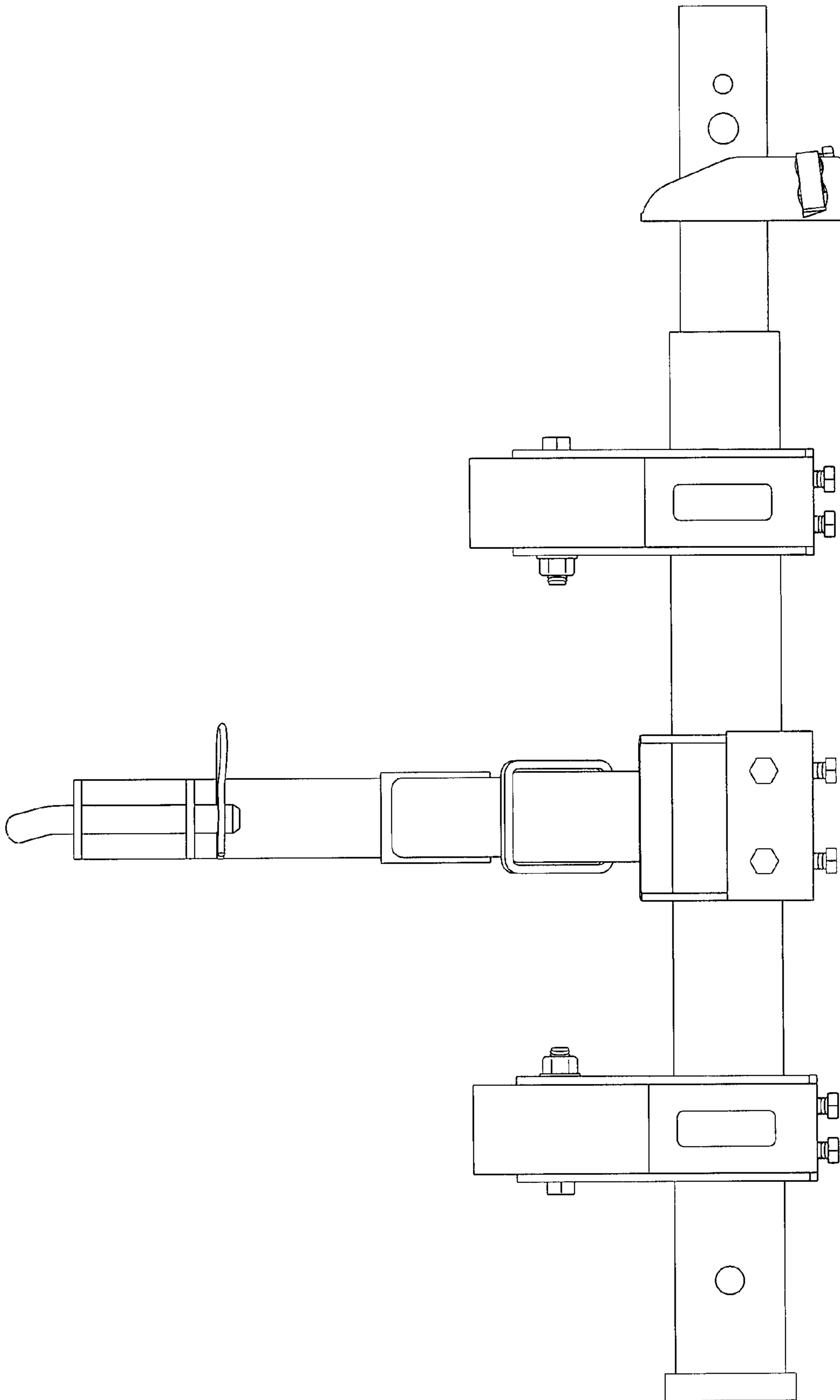


Figure 8