

US00D548661S

(12) **United States Design Patent**  
**Hanson et al.**

(10) **Patent No.:** **US D548,661 S**

(45) **Date of Patent:** **\*\* Aug. 14, 2007**

(54) **FRONT COWL TRIM FOR HEAD LIGHTS**

(75) Inventors: **Bradley J. Hanson**, North Augusta, SC (US); **John G. Herrick**, Evans, GA (US); **Kent H. Bruntz**, Evans, GA (US); **Donald S. Hanson, Jr.**, Augusta, GA (US)

(73) Assignee: **Textron Inc.** RI (US)

(\*\*) Term: **14 Years**

(21) Appl. No.: **29/247,160**

(22) Filed: **Jun. 2, 2006**

(51) **LOC (8) Cl.** ..... **12-16**

(52) **U.S. Cl.** ..... **D12/196; D12/169**

(58) **Field of Classification Search** ..... D12/90-92, D12/86, 169, 196, 163; 296/180.1, 180.2; 293/102, 113, 115, 117, 120

See application file for complete search history.

(56) **References Cited**

**U.S. PATENT DOCUMENTS**

D498,436 S	11/2004	Bonner et al.	
D498,704 S	11/2004	Bonner et al.	
D515,994 S *	2/2006	Moruzzi	..... D12/169
D535,229 S *	1/2007	Hara et al.	..... D12/169
D535,231 S *	1/2007	Otsubo et al.	..... D12/169
2004/0067360 A1	4/2004	Steenblik et al.	

\* cited by examiner

*Primary Examiner*—Melody N. Brown  
(74) *Attorney, Agent, or Firm*—Harness, Dickey & Pierce, P.L.C.

(57) **CLAIM**

The ornamental design for a front cowl trim for head lights, as shown and described.

**DESCRIPTION**

FIG. 1 is a front perspective view of a front cowl trim for head lights;

FIG. 2 is a front elevation view thereof;

FIG. 3 is a bottom plan view thereof;

FIG. 4 is a top plan view thereof;

FIG. 5 is a right side view thereof (the left side view being a mirror image of the right side);

FIG. 6 is a front perspective view of a second embodiment of a front cowl trim for head lights;

FIG. 7 is a front elevation view thereof;

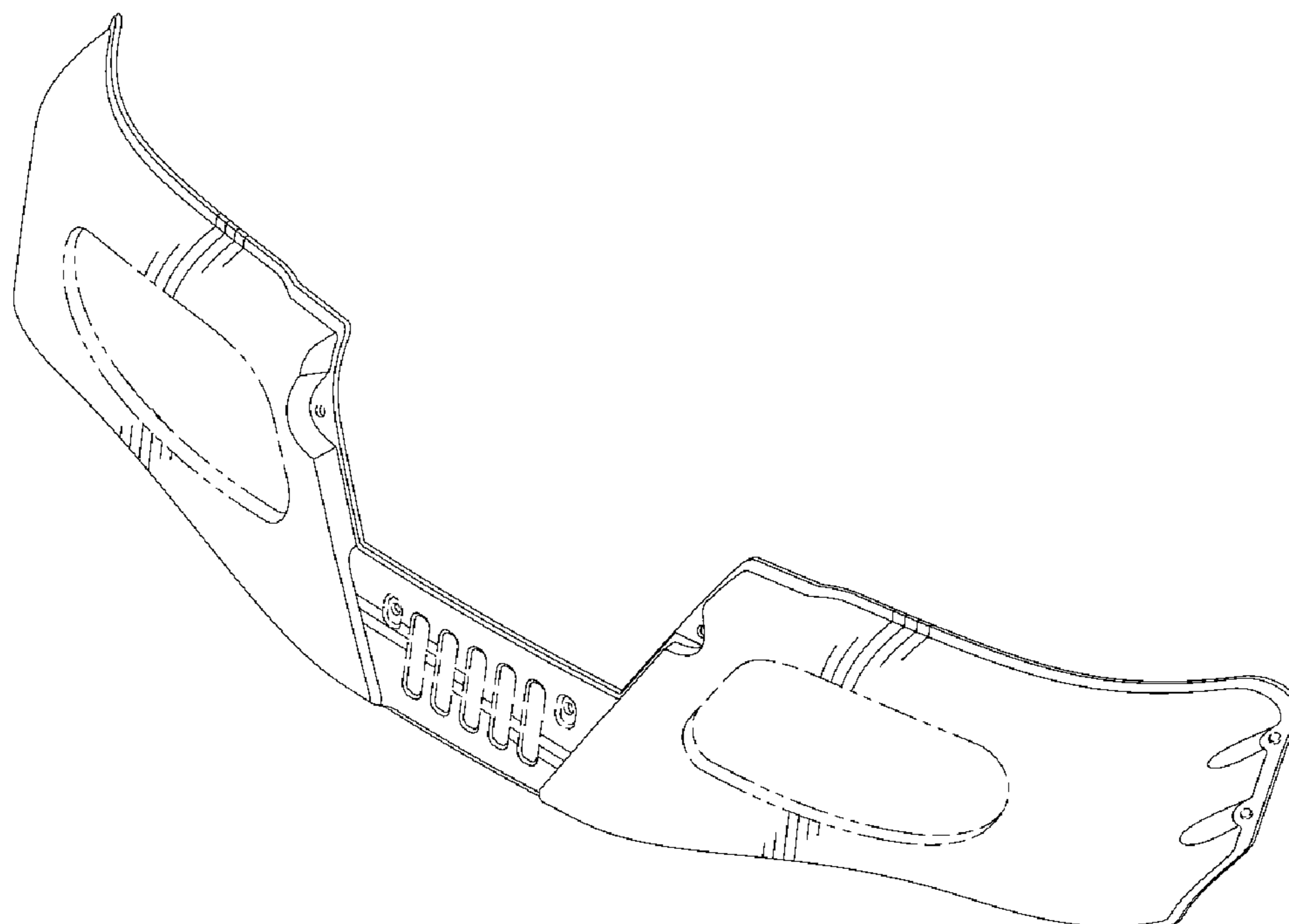
FIG. 8 is a bottom plan view thereof;

FIG. 9 is a top plan view thereof; and,

FIG. 10 is a right side view thereof (the left side view being a mirror image of the right side).

The broken lines shown are for illustrative purposes only and do not form part of the invention.

**1 Claim, 4 Drawing Sheets**



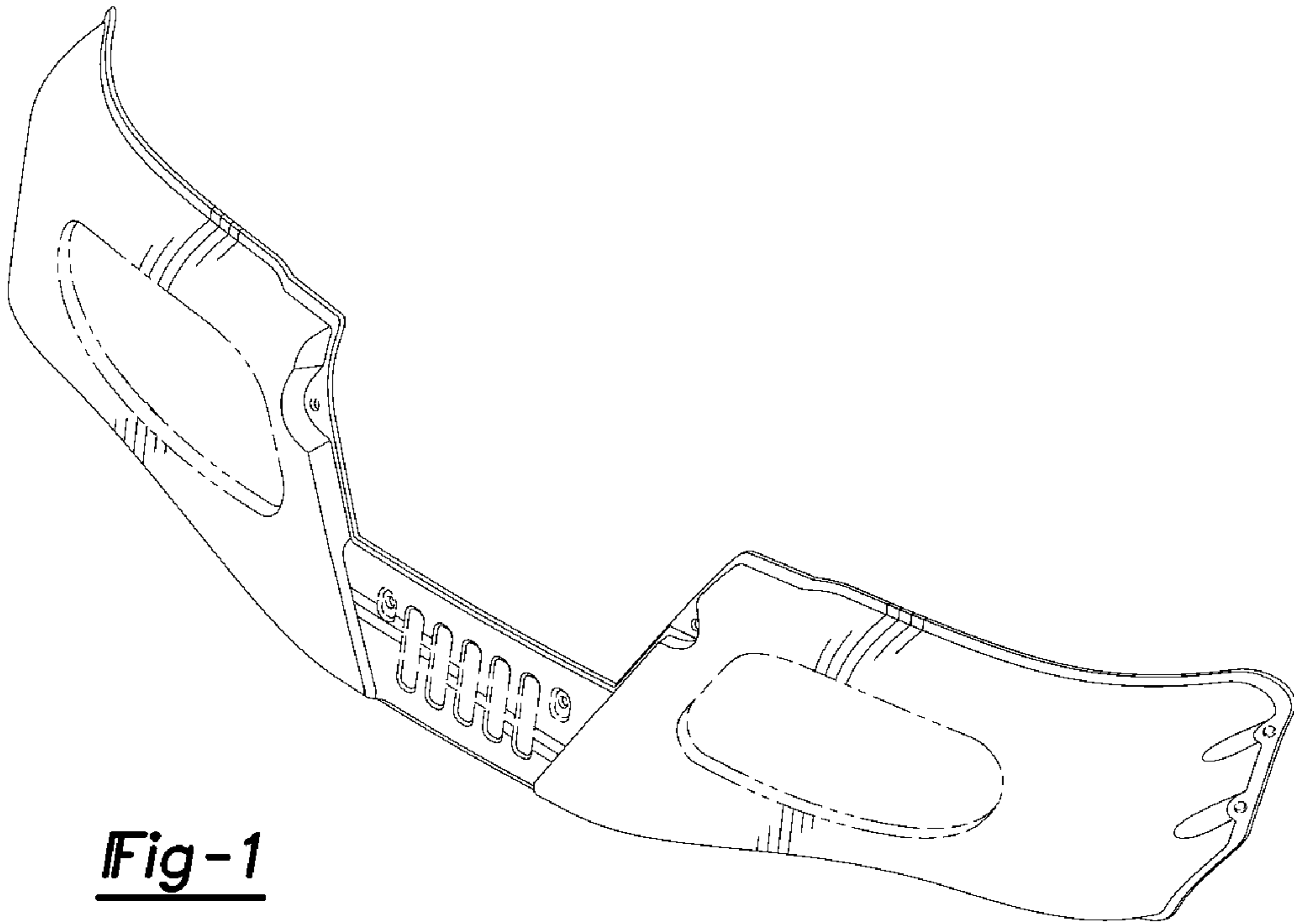


Fig-1

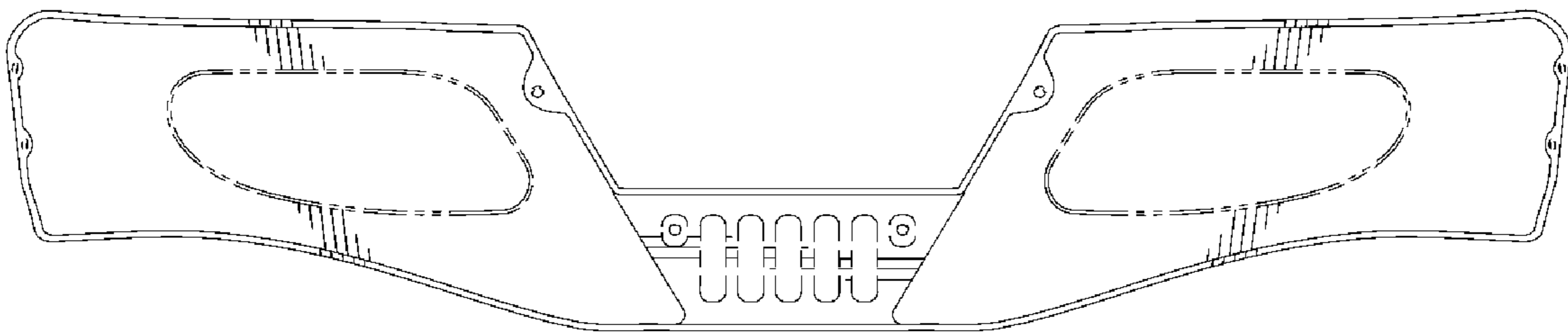


Fig-2

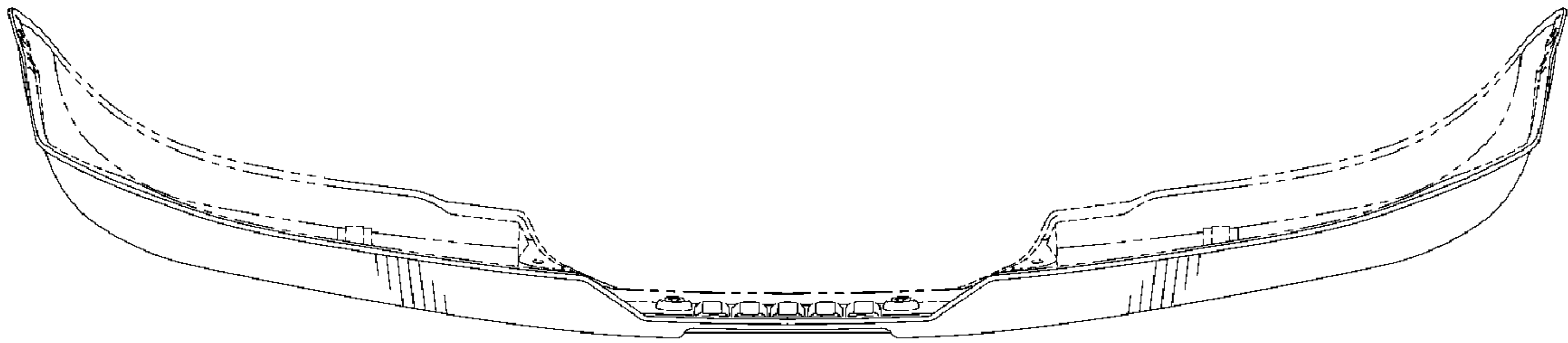


Fig-3

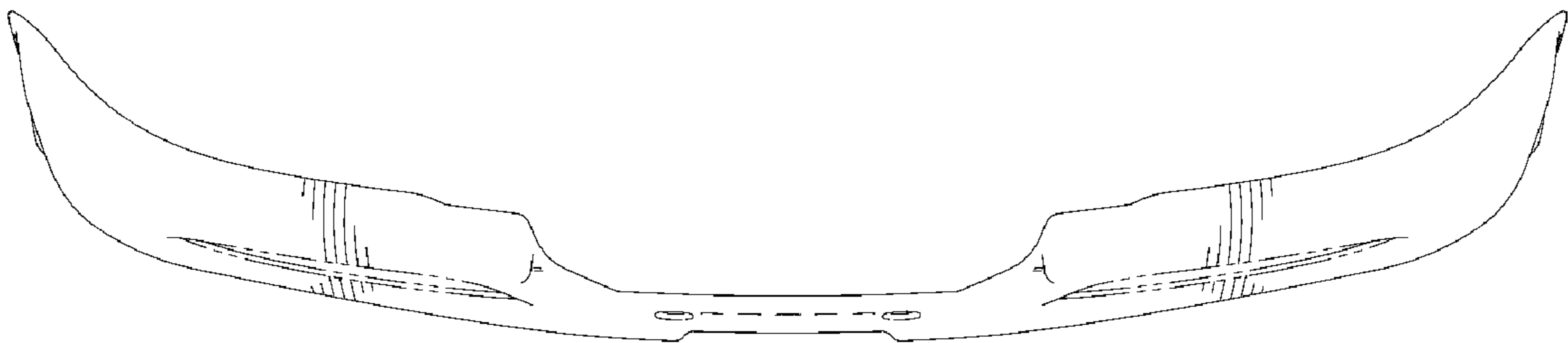


Fig-4

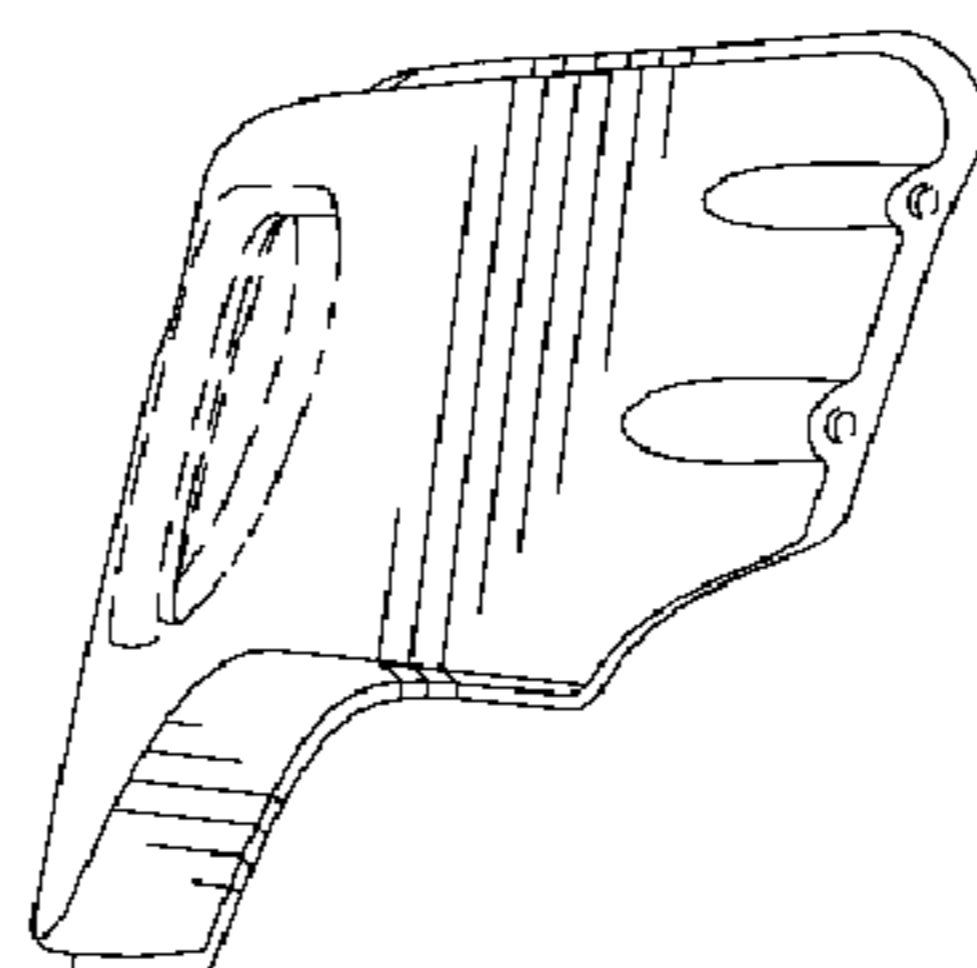


Fig-5

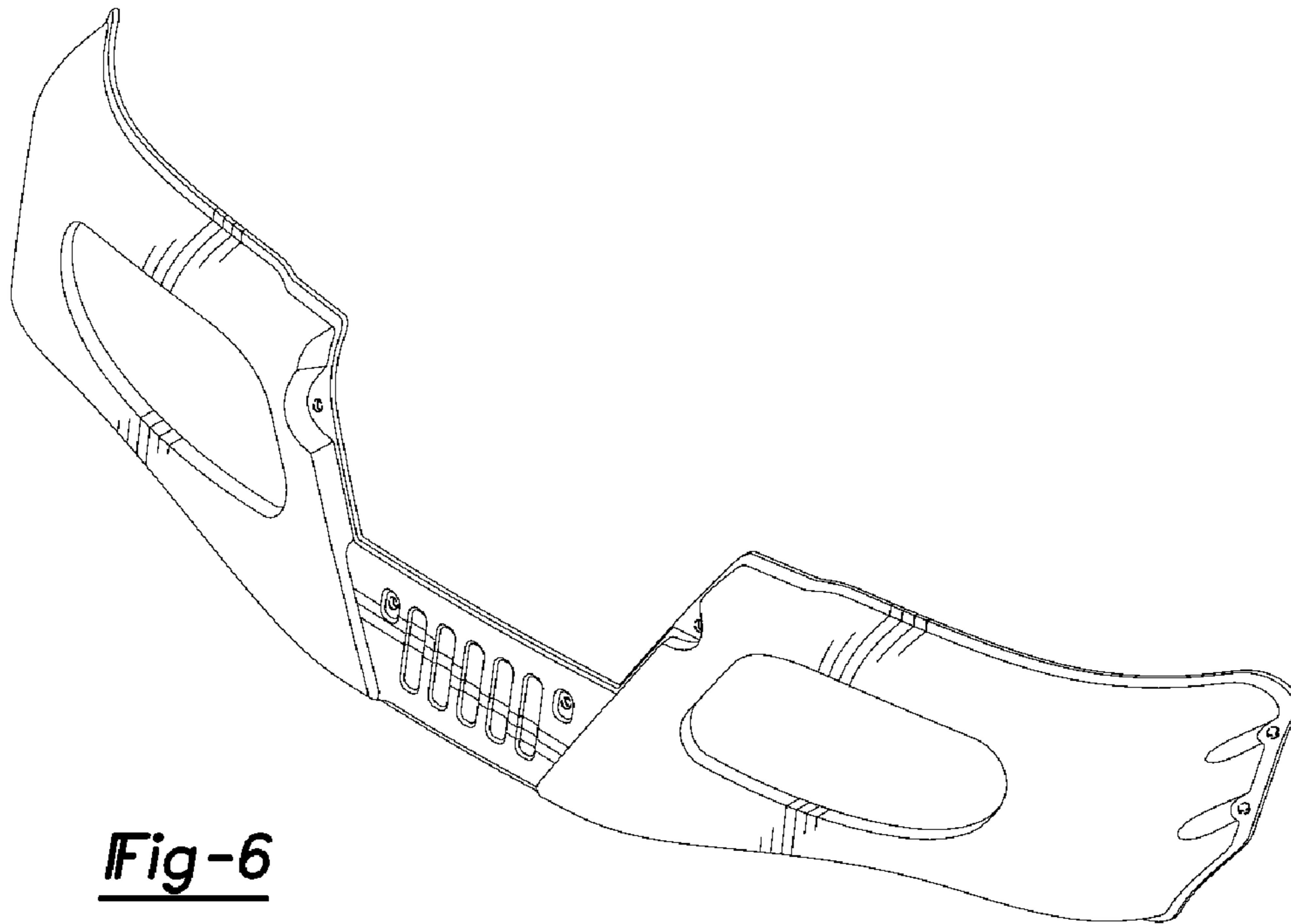


Fig-6

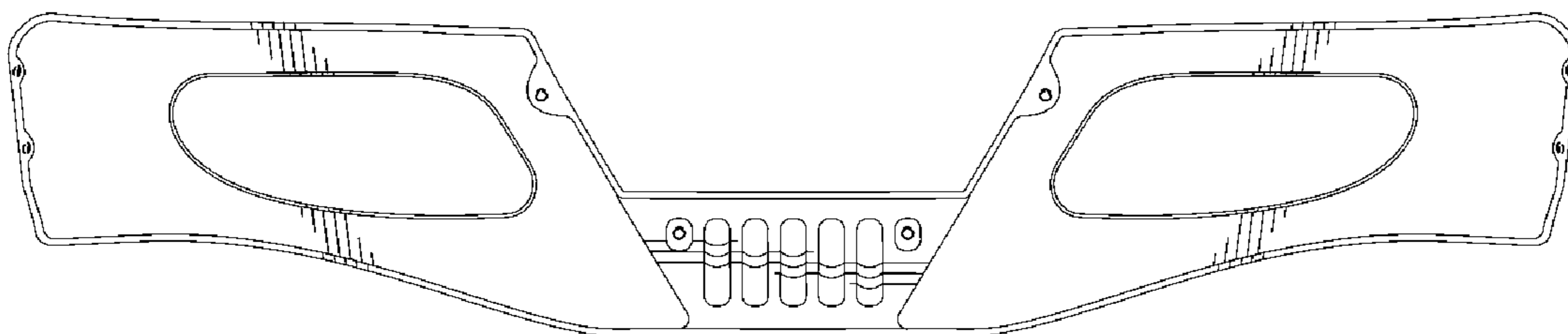


Fig-7

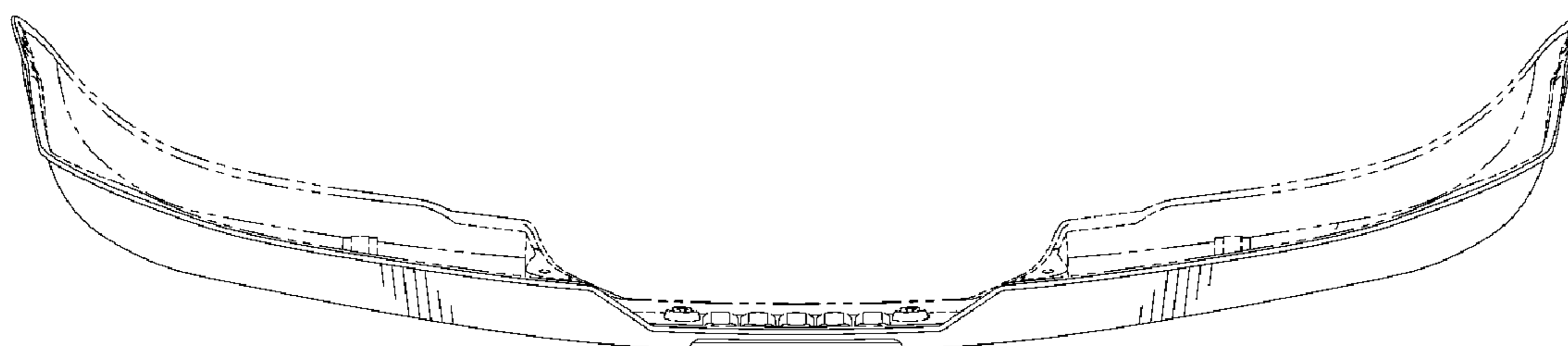


Fig-8

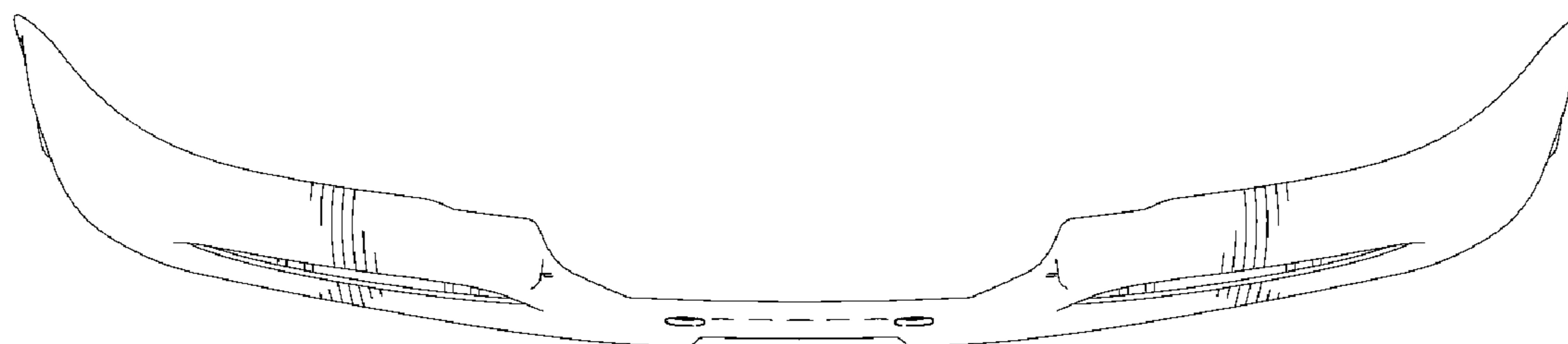


Fig-9

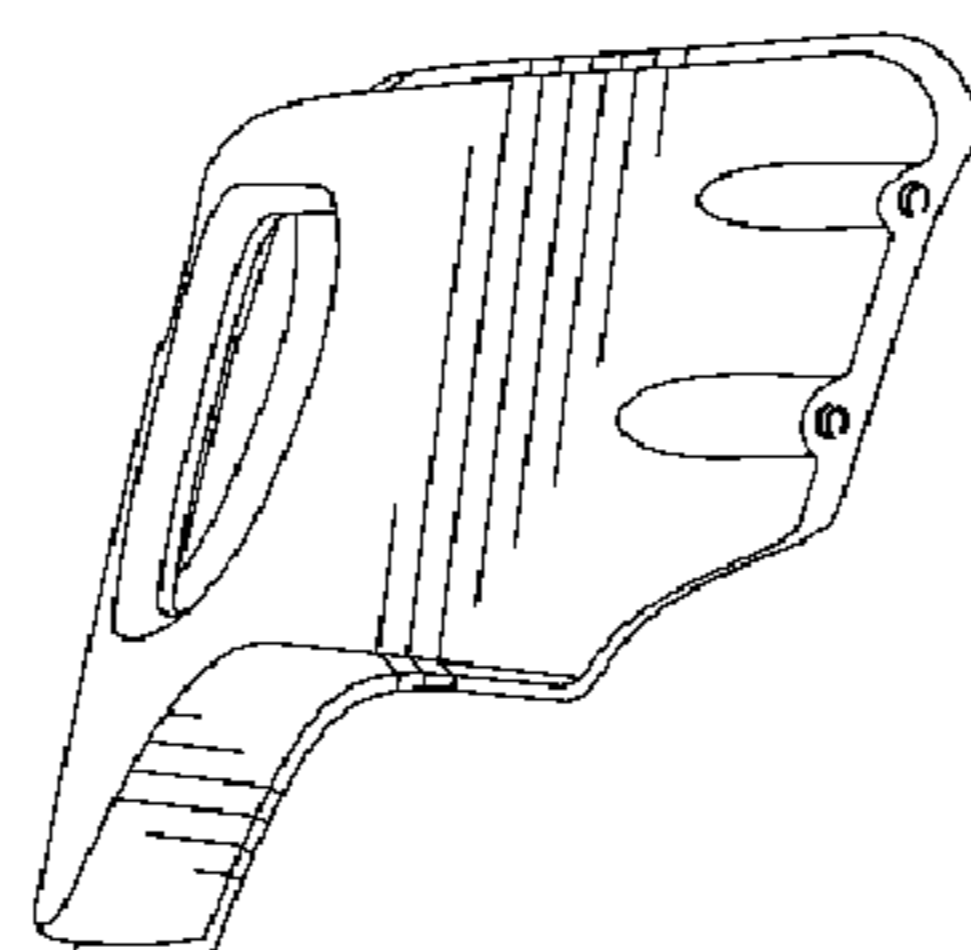


Fig-10