



US00D548659S

(12) **United States Design Patent**
Sakata et al.

(10) **Patent No.:** **US D548,659 S**

(45) **Date of Patent:** **** Aug. 14, 2007**

(54) **MUFFLER COVER**

FOREIGN PATENT DOCUMENTS

(75) Inventors: **Hiroki Sakata**, Wako (JP); **Hirotsugu Ueno**, Wako (JP)

JP 1228802 12/2004

* cited by examiner

(73) Assignee: **Honda Motor Co., Ltd.**, Tokyo (JP)

Primary Examiner—Doris Clark

Assistant Examiner—Michael Pratt

(**) Term: **14 Years**

(74) *Attorney, Agent, or Firm*—Arent Fox, LLP.

(21) Appl. No.: **29/239,329**

(57) **CLAIM**

(22) Filed: **Sep. 29, 2005**

The ornamental design for a muffler cover, as shown and described.

(30) **Foreign Application Priority Data**

Mar. 31, 2005 (JP) 2005-009541

DESCRIPTION

(51) **LOC (8) Cl.** **12-16**

FIG. 1 is a front view of a muffler cover showing my new design.

(52) **U.S. Cl.** **D12/194**

FIG. 2 is a rear view thereof.

(58) **Field of Classification Search** D12/86,
D12/110, 167, 169, 170, 206, 209, 181, 186,
D12/194, 196, 90-92; 60/313, 323; D15/5;
296/77.1, 78.1, 85, 180.1, 180.2; 293/105;
29/890.08; 280/152.1, 152.2, 152.3, 160.1,
280/304.3, 770, 848; 181/227, 228, 247-251,
181/264, 282; 180/89.2, 219, 225, 312, 315
See application file for complete search history.

FIG. 3 is a plan view thereof.

FIG. 4 is a bottom view thereof.

FIG. 5 is a right side view thereof.

FIG. 6 is a left side view thereof.

FIG. 7 is a perspective view thereof as seen from the left front side.

FIG. 8 is a perspective view thereof as seen from the right front side.

FIG. 9 is a perspective view thereof as seen from the right rear side.

FIG. 10 is a perspective view thereof as seen from the left rear side; and,

FIG. 11 is a reference view of the muffler cover showing its state of use on a motorcycle.

(56) **References Cited**

U.S. PATENT DOCUMENTS

D468,668 S	1/2003	Katagiri et al.	
D490,352 S *	5/2004	Ward	D12/194
D500,972 S *	1/2005	Davis, Jr.	D12/194
D504,373 S *	4/2005	Kuboshima et al.	D12/194
D516,976 S *	3/2006	Davis, Jr.	D12/194

1 Claim, 6 Drawing Sheets

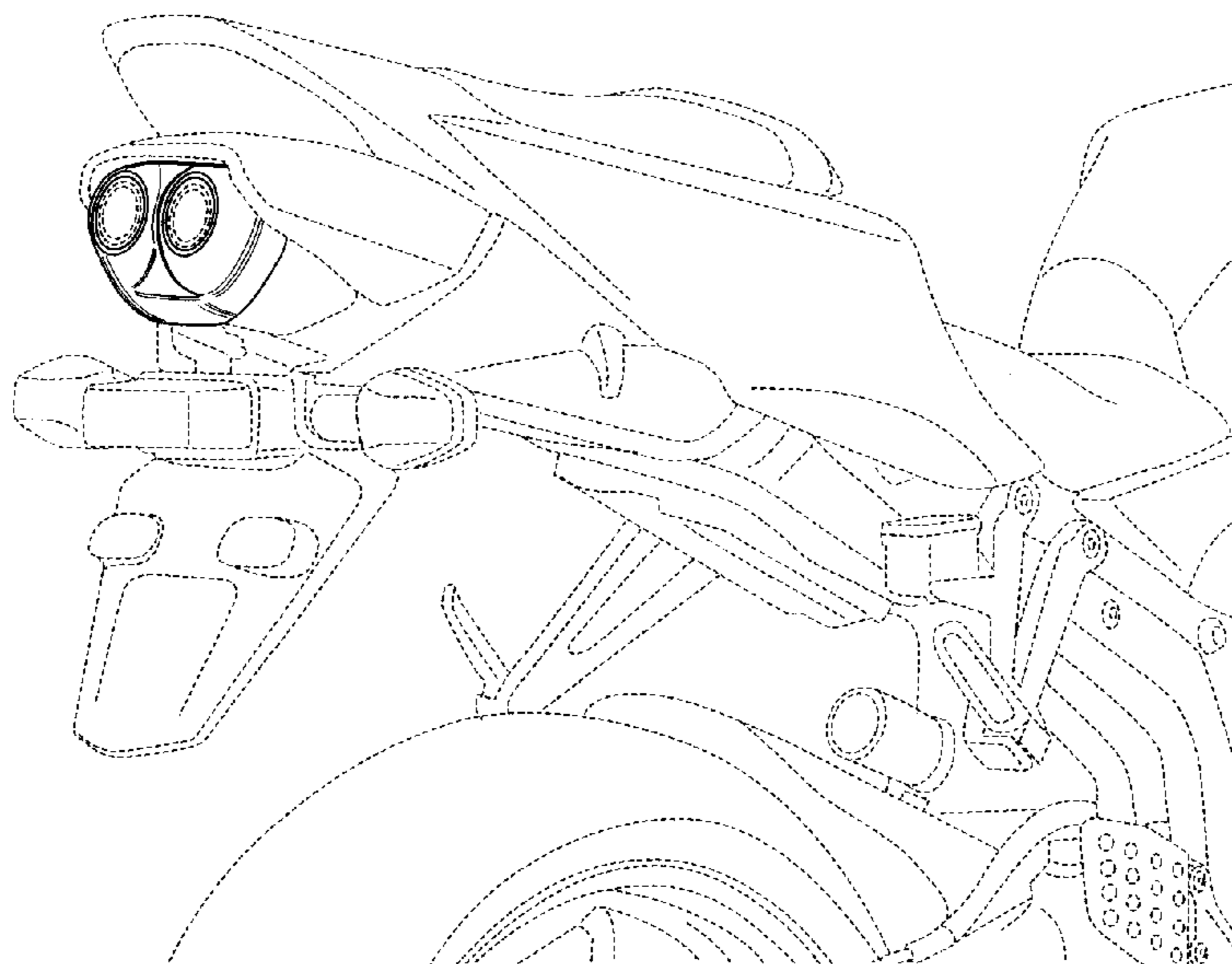


FIG.1

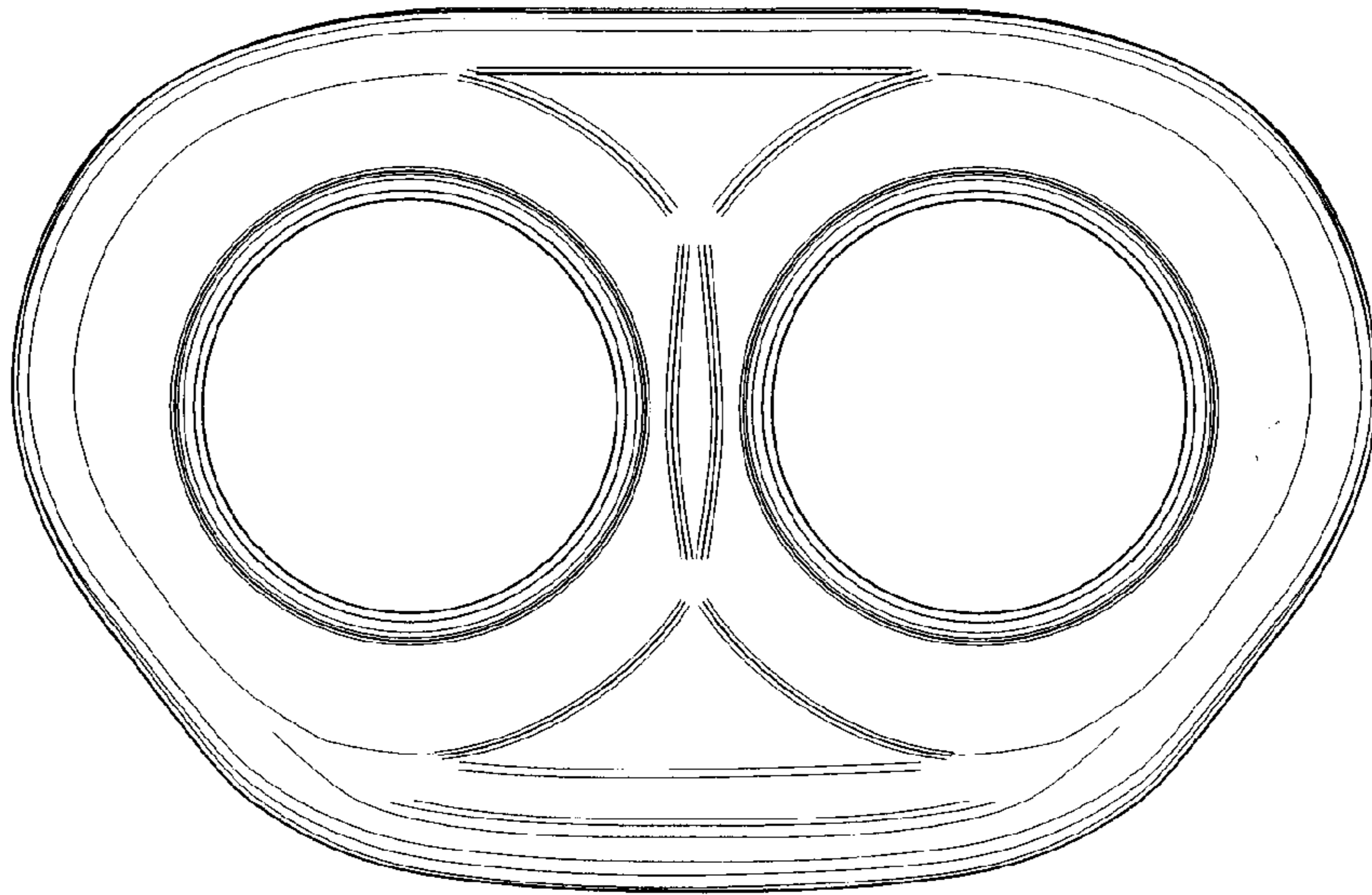


FIG.2

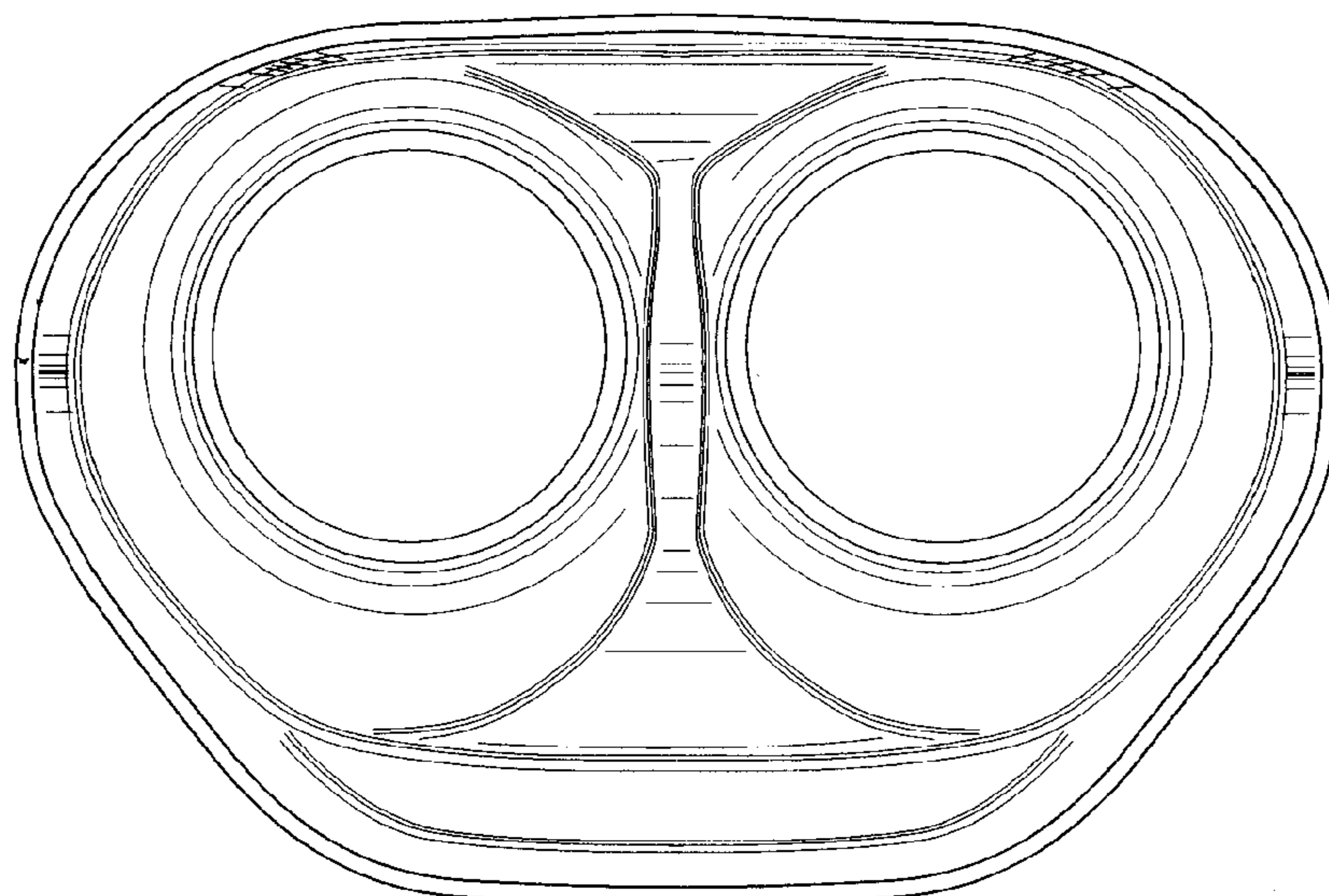


FIG.3

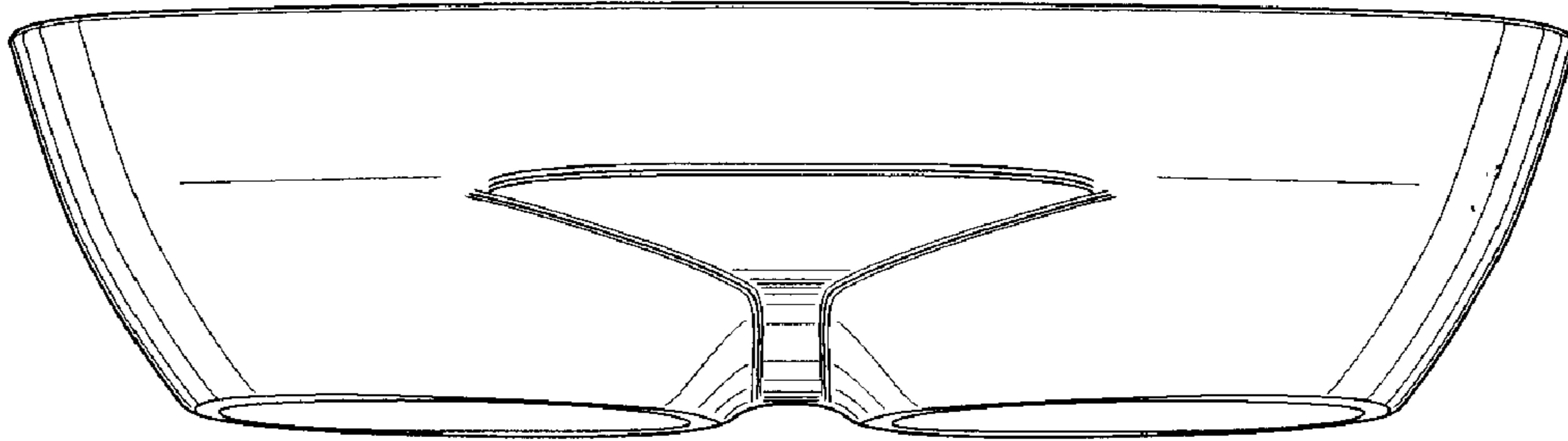


FIG.4

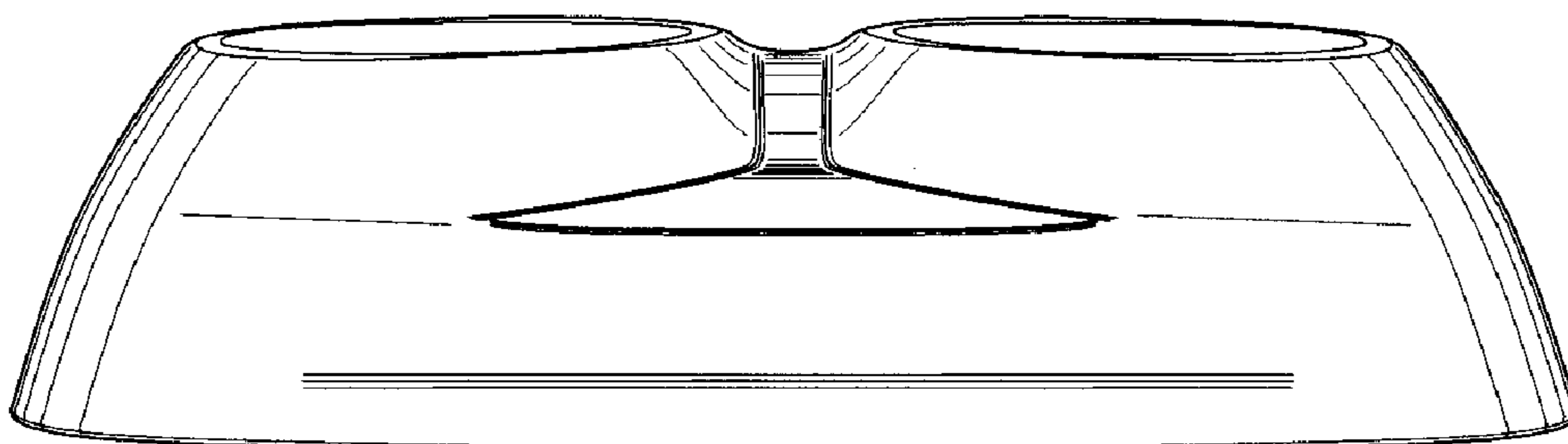


FIG.5

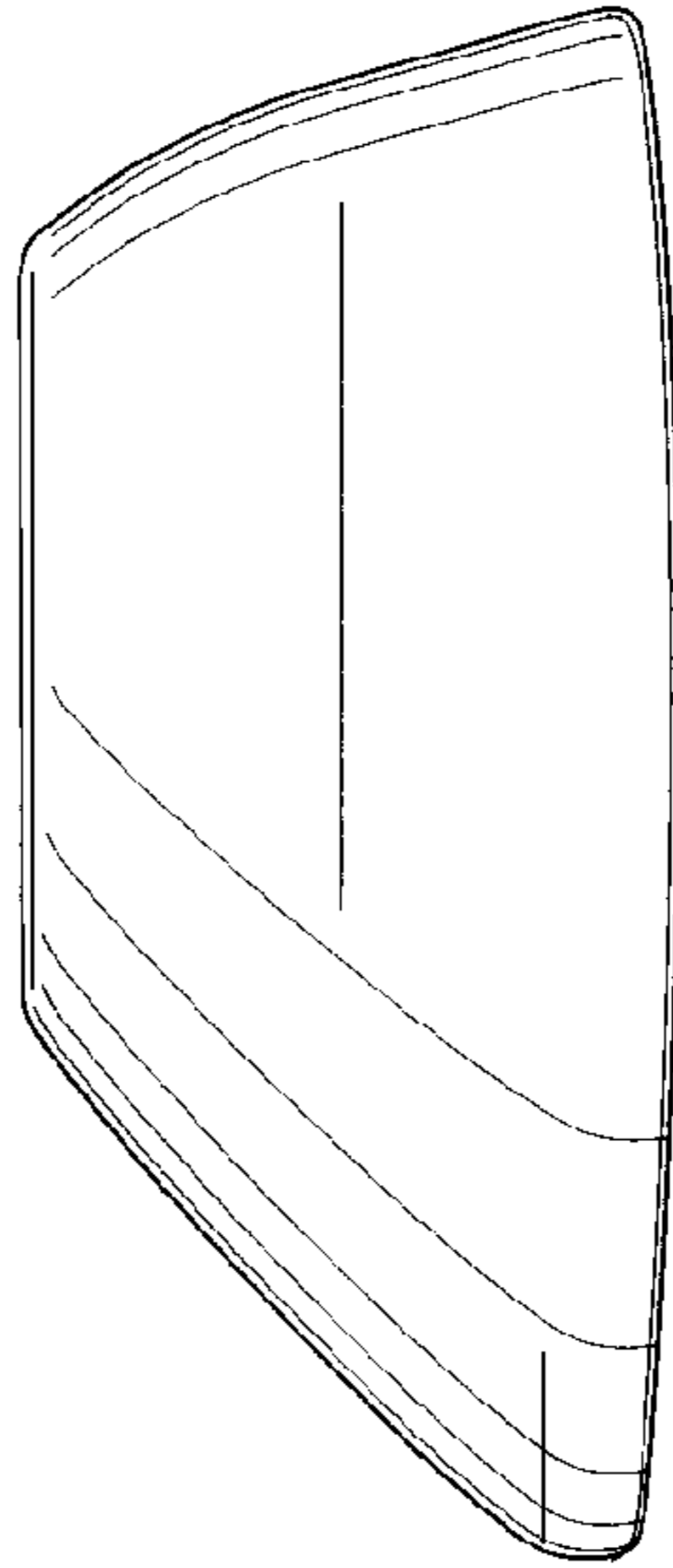


FIG.6

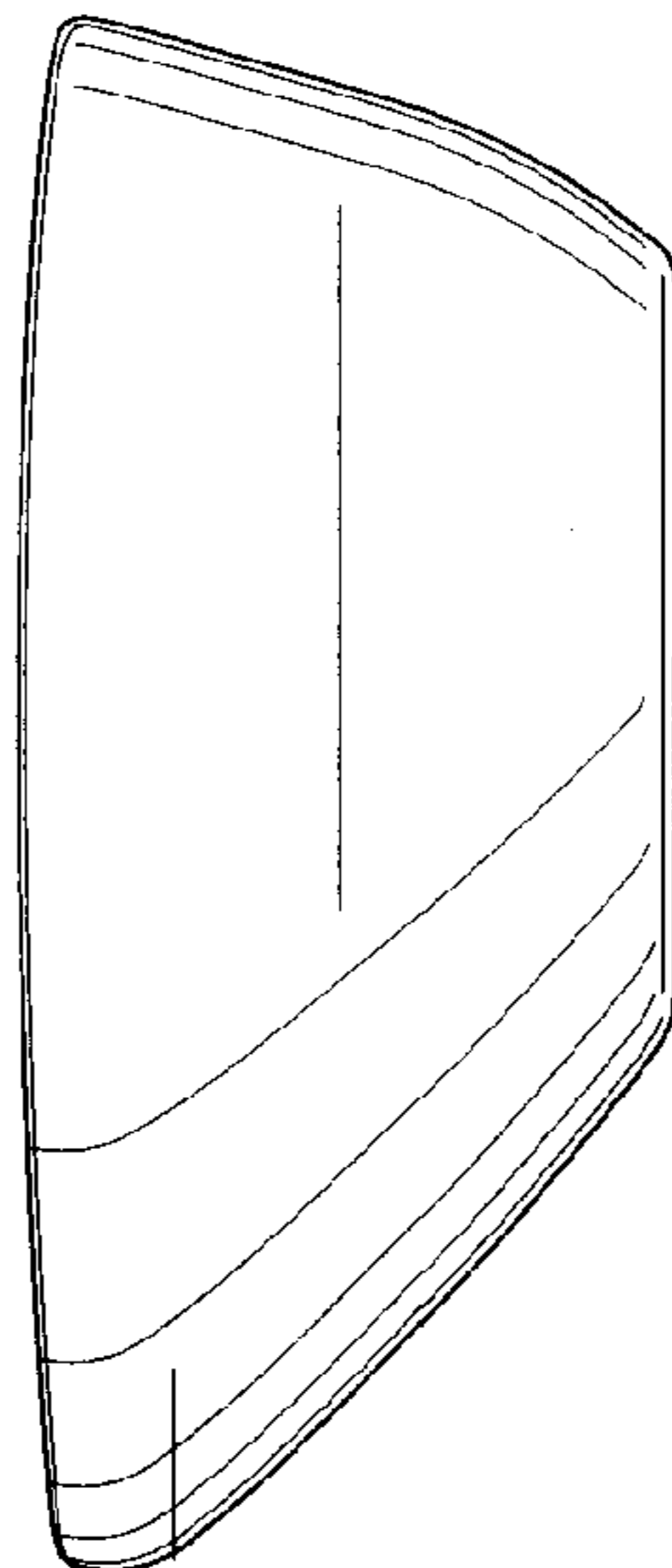


FIG.7

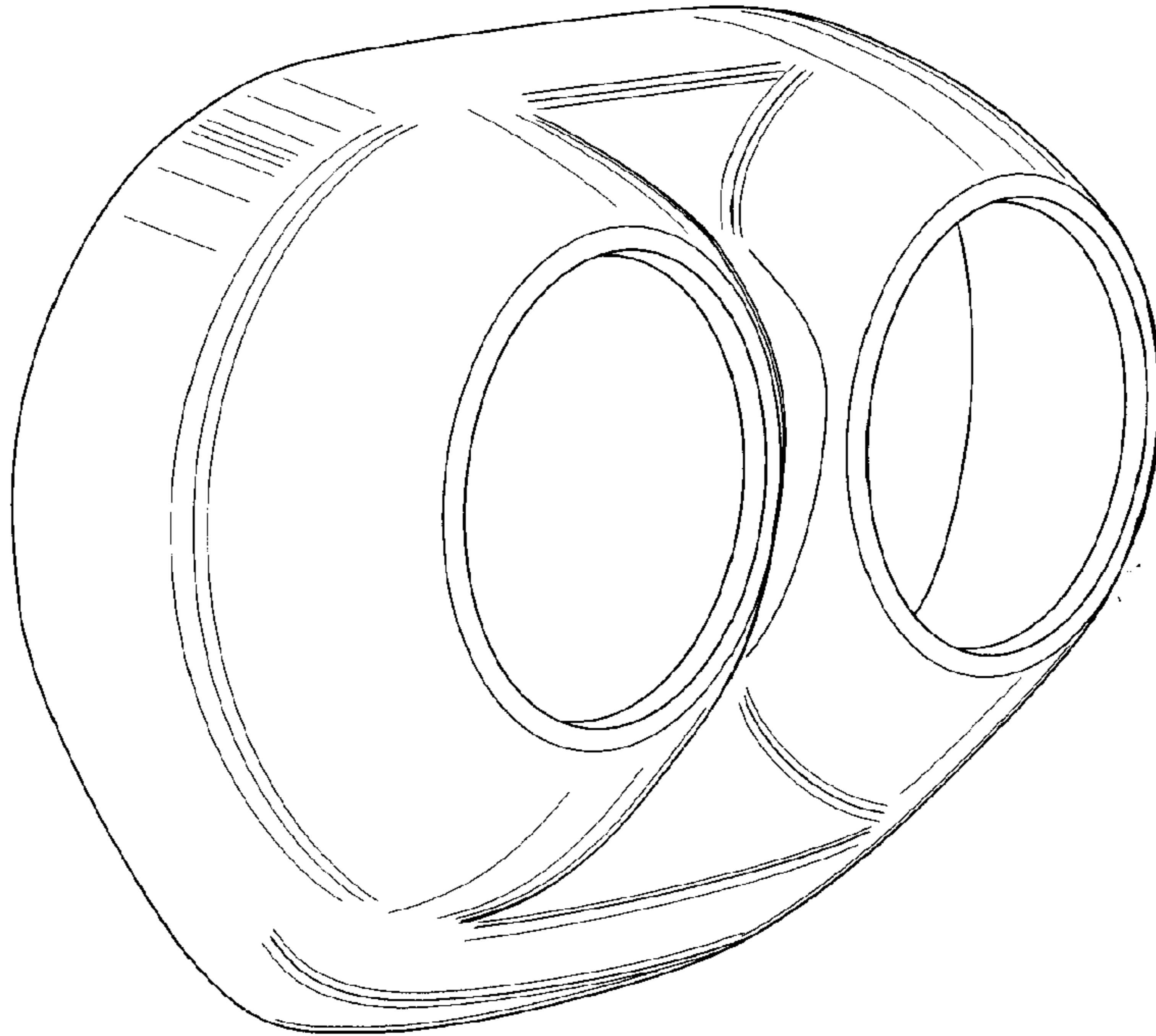


FIG.8

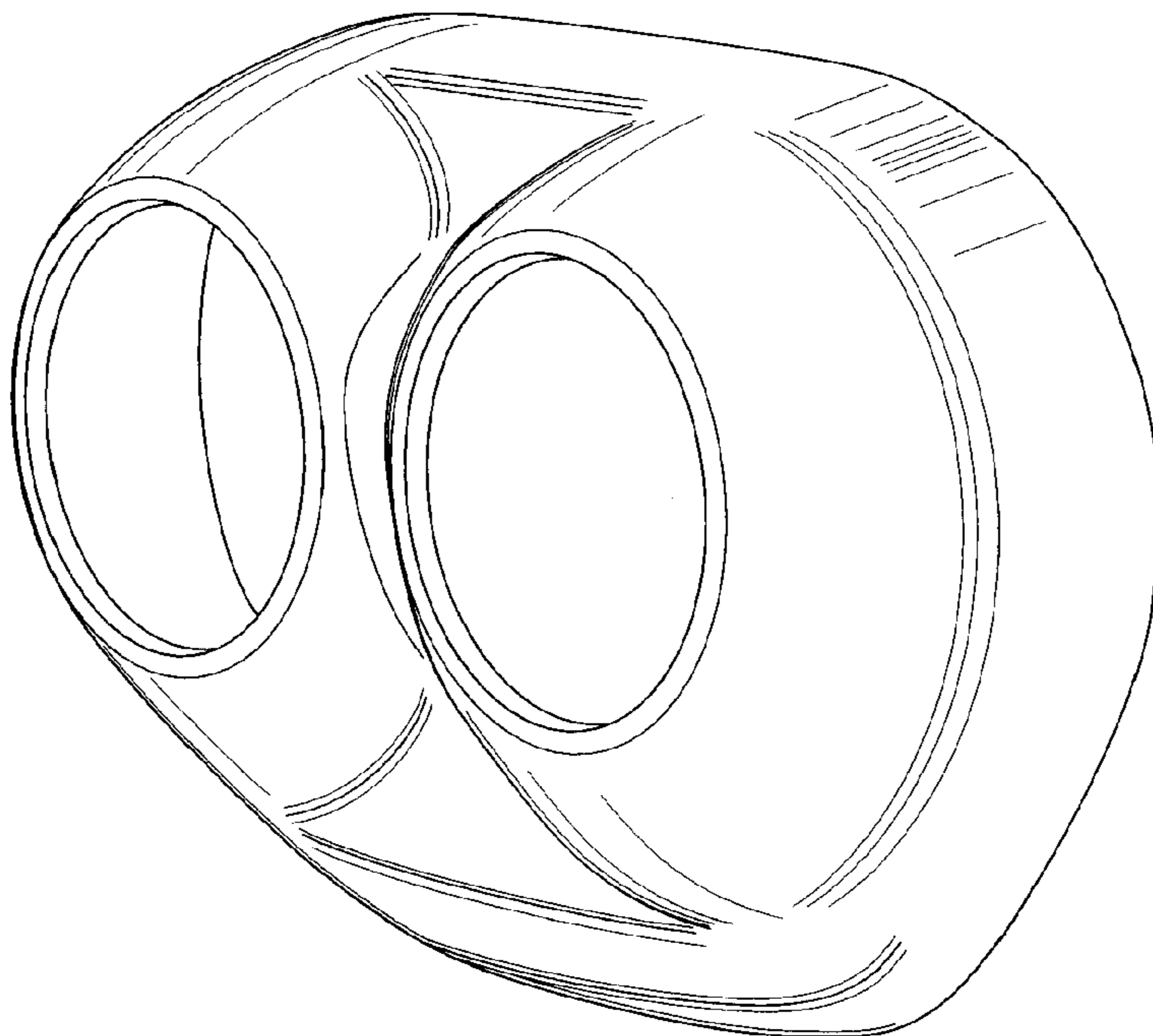


FIG.9

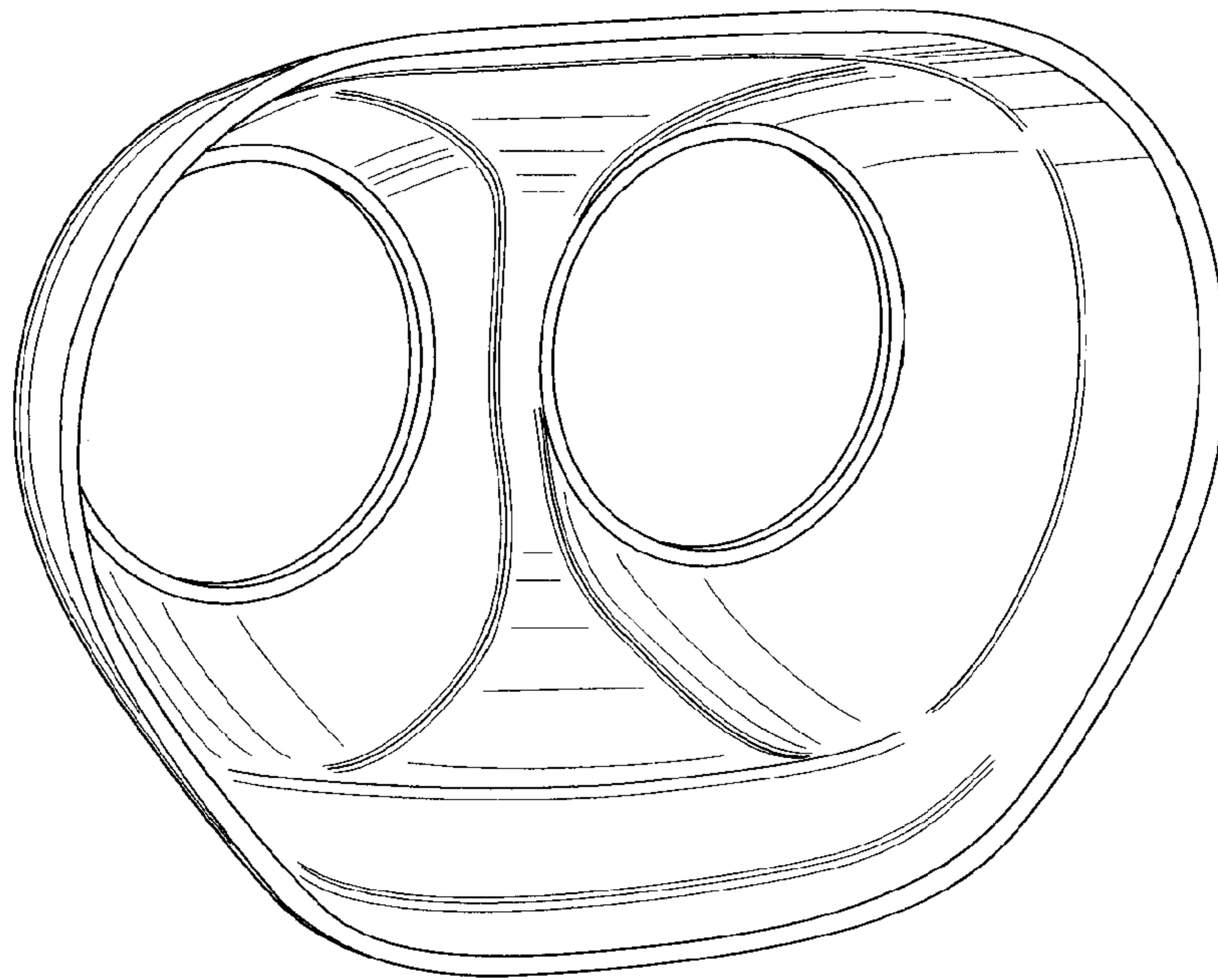


FIG.10

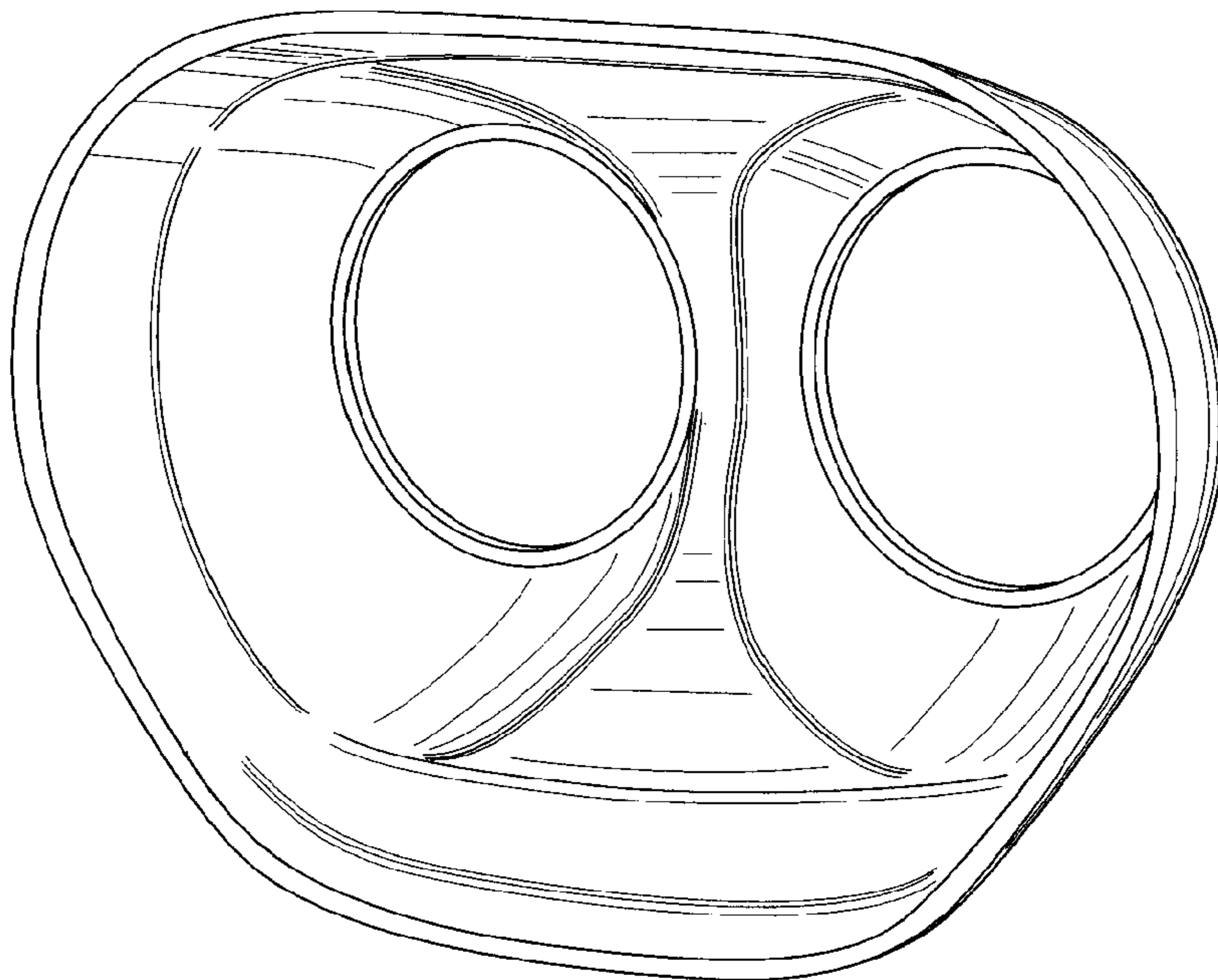


FIG.11

