



US00D548656S

(12) **United States Design Patent**  
**Hanamura**

(10) **Patent No.:** **US D548,656 S**

(45) **Date of Patent:** **\*\* Aug. 14, 2007**

(54) **DISC BRAKE UNIT FOR A BICYCLE**

(75) Inventor: **Junichi Hanamura**, Sakai (JP)

(73) Assignee: **Shimano Inc.**, Sakai, Osaka (JP)

(\*\*) Term: **14 Years**

(21) Appl. No.: **29/261,244**

(22) Filed: **Jun. 9, 2006**

(30) **Foreign Application Priority Data**

Dec. 16, 2005 (EM) ..... 000450424-0001/0008

(51) **LOC (8) Cl.** ..... **12-16**

(52) **U.S. Cl.** ..... **D12/180**

(58) **Field of Classification Search** ..... D12/111,  
D12/180; 188/18 A, 71.1, 71.5, 73.1, 73.31-73.34,  
188/73.35-73.39, 73.43, 73.45, 218 XL;  
192/70.17, 70.2

See application file for complete search history.

(56) **References Cited**

**U.S. PATENT DOCUMENTS**

2006/0231351 A1\* 10/2006 Kariyama ..... 188/26

**OTHER PUBLICATIONS**

Colorado Cyclist Tour Time 2003, AVID Mechanical Disc Brake unit shown and described on p. 27.\*

\* cited by examiner

*Primary Examiner*—Alan P. Douglas

*Assistant Examiner*—Linda Brooks

(74) *Attorney, Agent, or Firm*—Jeffer Mangels; Butler & Marmaro LLP

(57) **CLAIM**

The ornamental design for a disc brake unit for a bicycle, as shown and described.

**DESCRIPTION**

FIG. 1 is a perspective view of the disc brake unit for a bicycle;

FIG. 2 is a front elevational view of the disc brake unit for a bicycle of FIG. 1;

FIG. 3 is a rear elevational view of the disc brake unit for a bicycle of FIG. 1;

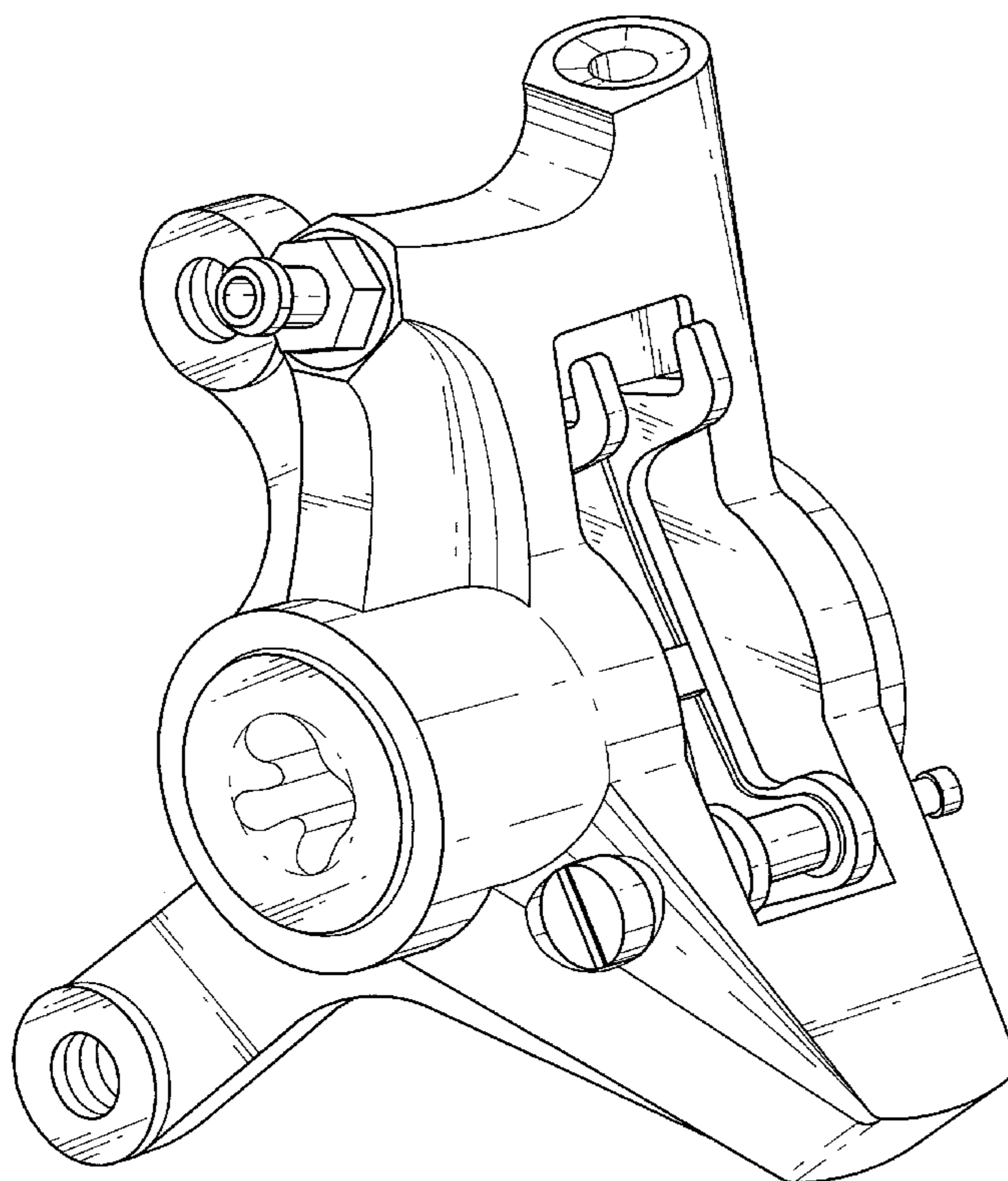
FIG. 4 is a top plan view of the disc brake unit for a bicycle of FIG. 1;

FIG. 5 is a bottom plan view of the disc brake unit for a bicycle of FIG. 1;

FIG. 6 is a right side elevational view of the disc brake unit for a bicycle of FIG. 1; and,

FIG. 7 is a left side elevational view of the disc brake unit for a bicycle of FIG. 1.

**1 Claim, 7 Drawing Sheets**



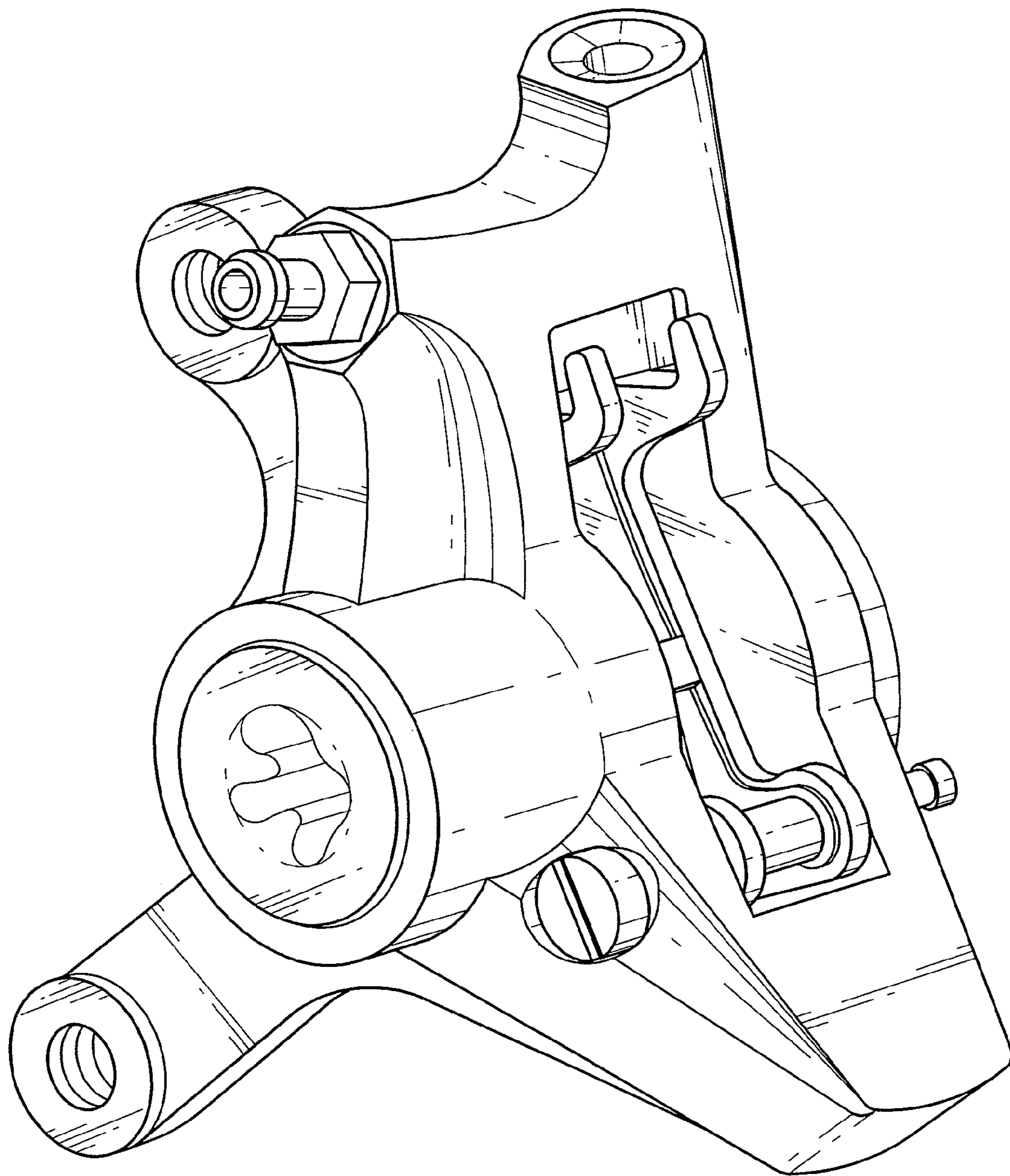


FIG. 1

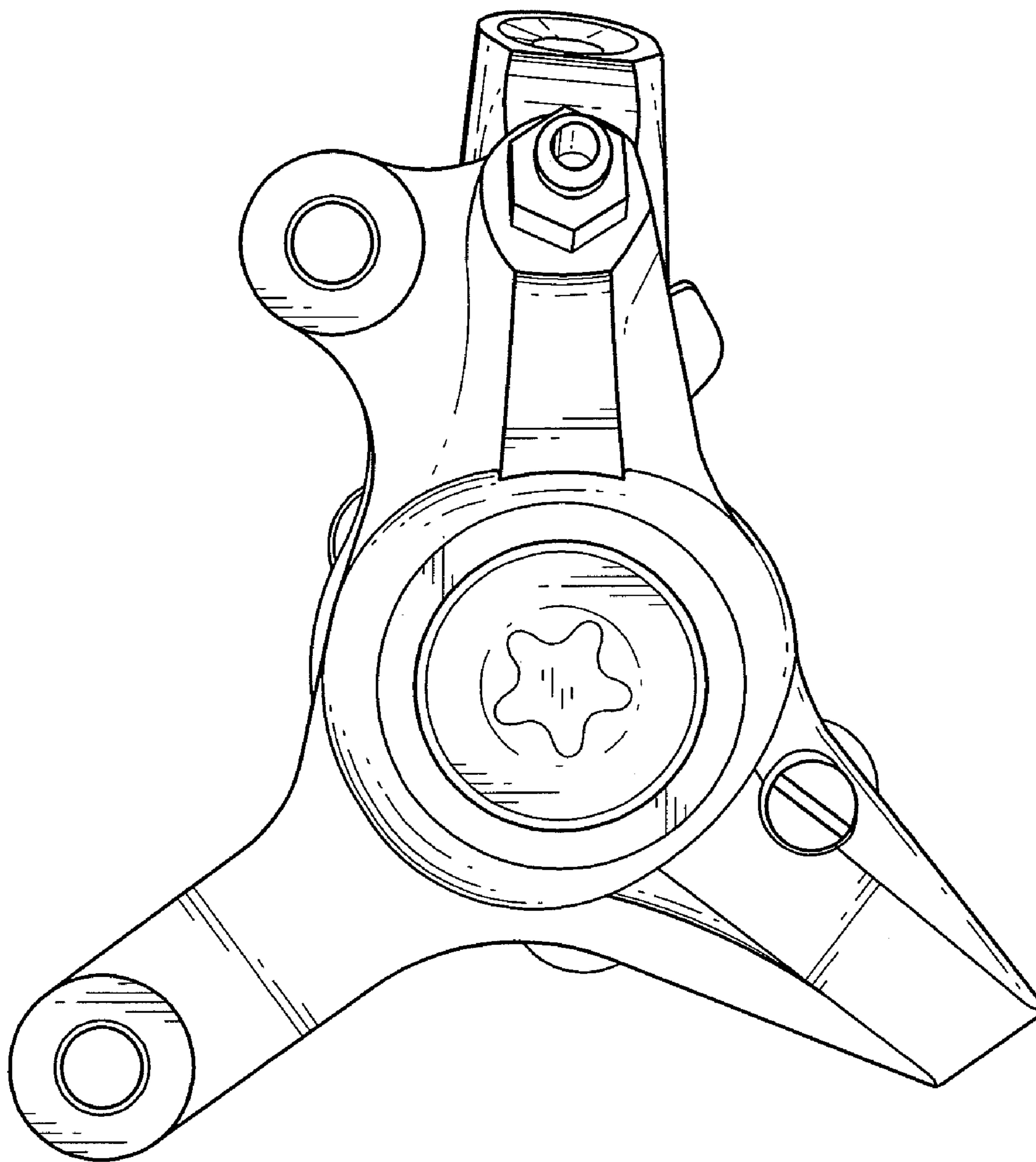


FIG. 2

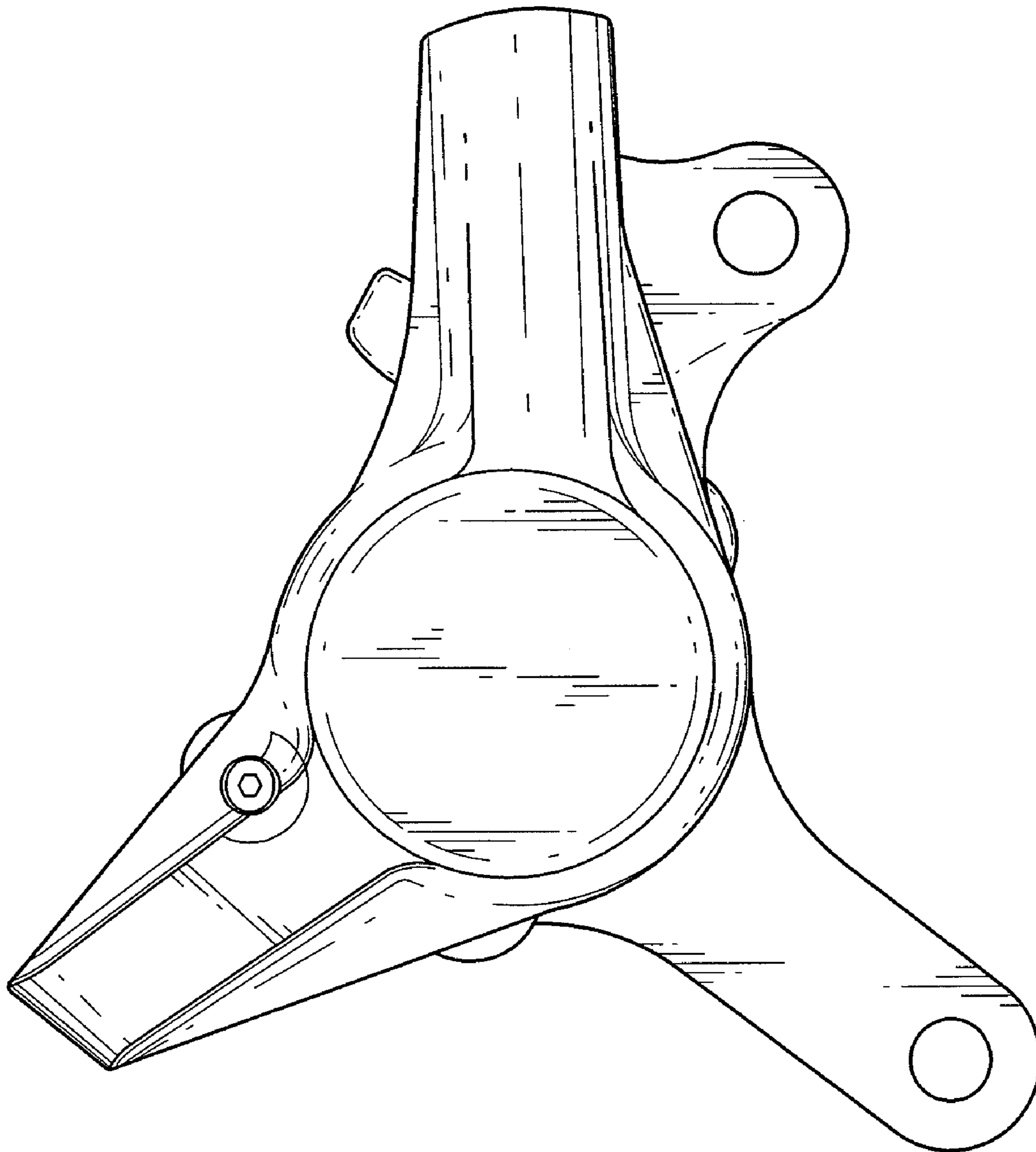


FIG. 3

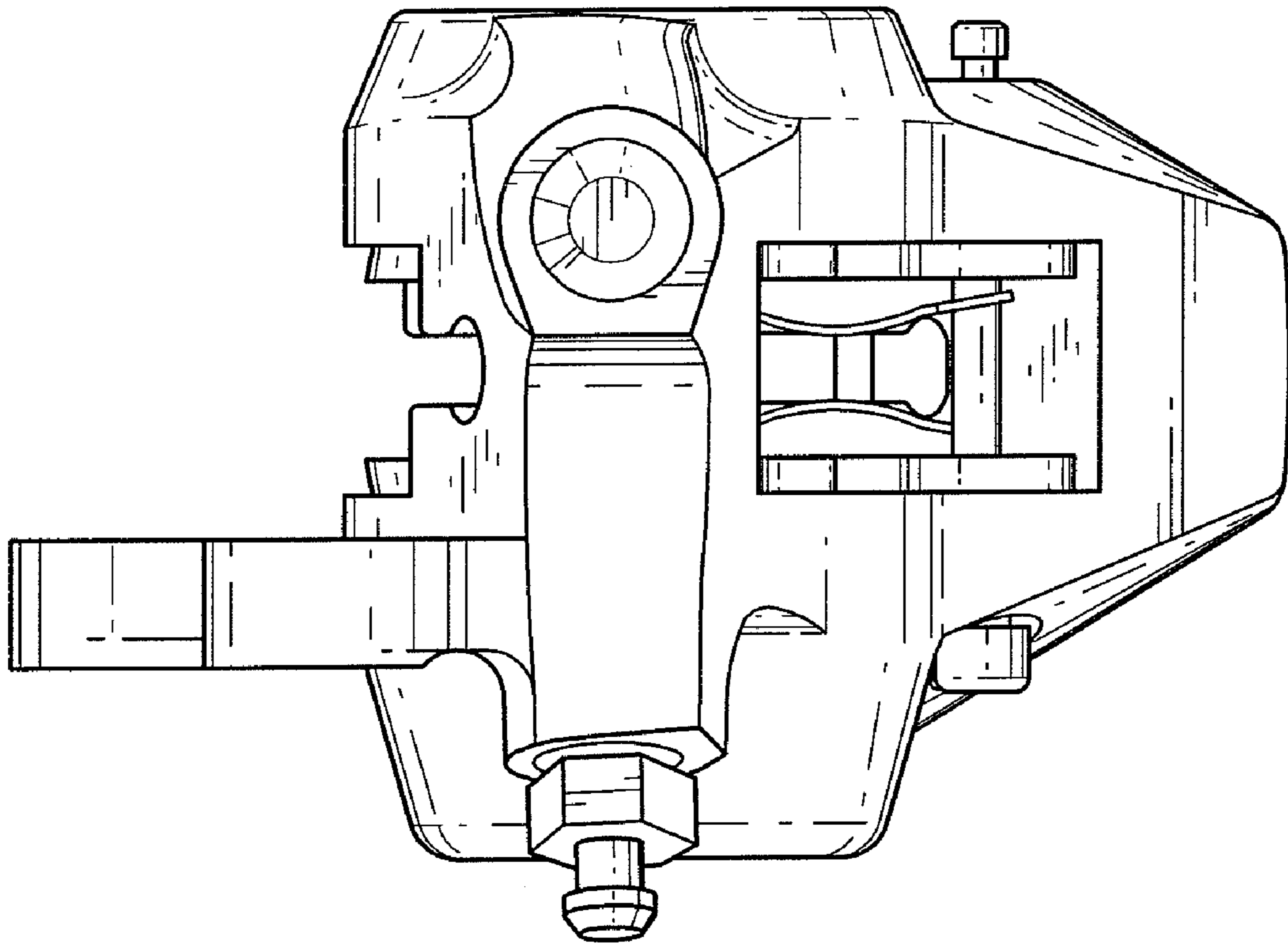
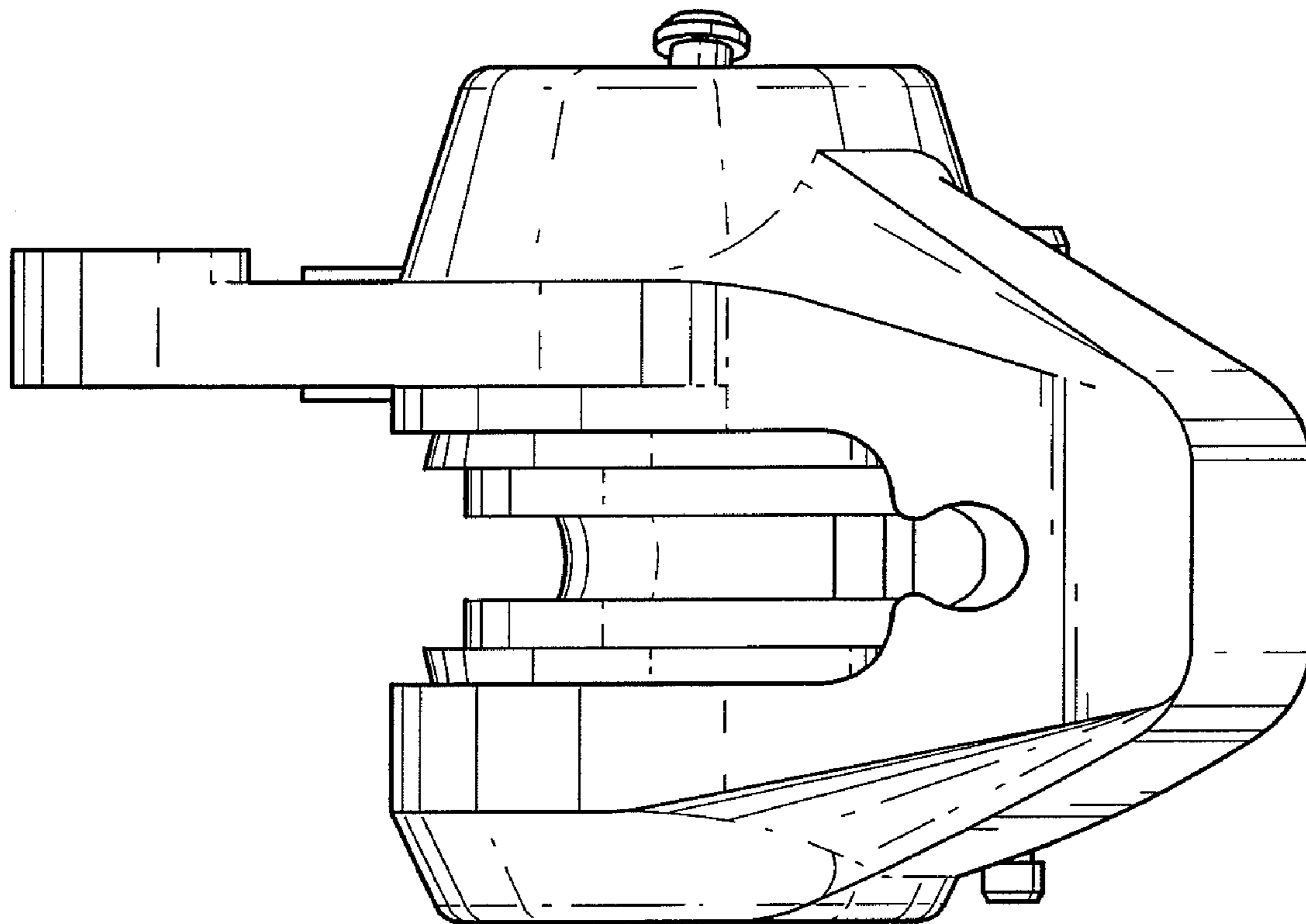


FIG. 4



*FIG. 5*

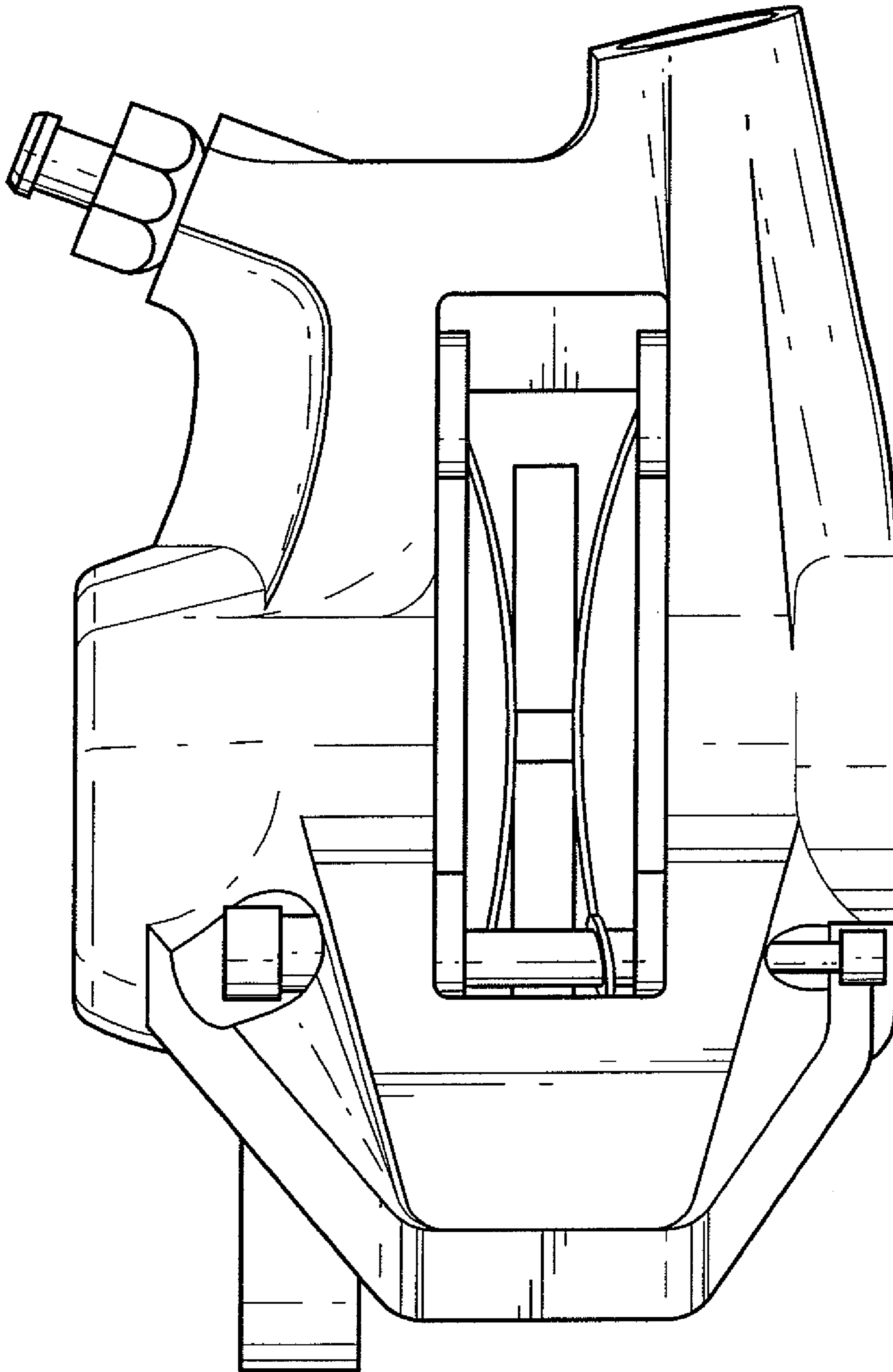


FIG. 6

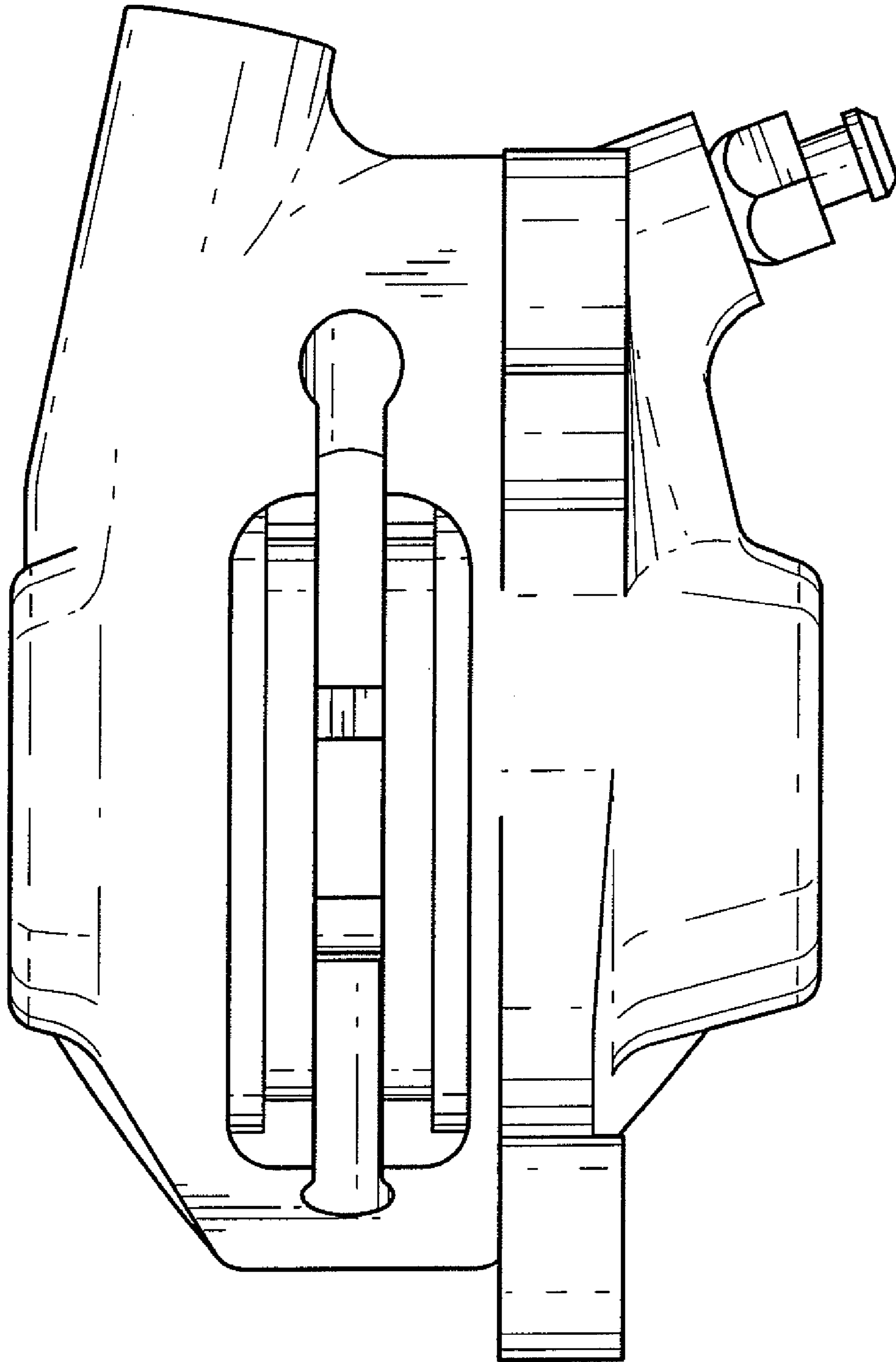


FIG. 7