

US00D548655S

(12) **United States Design Patent**
Barrow et al.

(10) **Patent No.:** **US D548,655 S**

(45) **Date of Patent:** **** Aug. 14, 2007**

(54) **BICYCLE SHIFTER**

(75) Inventors: **Chris Barrow**, Queens Village, NY (US); **Paul Elhardt**, Charlotte, NC (US); **Henry Mack**, Phillipsburg, NJ (US); **Stephen Miggels**, Wyckoff, NJ (US)

(73) Assignee: **Autocraft Industries, Inc.**, Oklahoma City, OK (US)

(**) Term: **14 Years**

(21) Appl. No.: **29/252,895**

(22) Filed: **Jan. 30, 2006**

(51) **LOC (8) Cl.** **12-11**

(52) **U.S. Cl.** **D12/179**

(58) **Field of Classification Search** D8/303;
D12/178-180, 111, 110; 74/551.8, 551.9;
16/110.1, 421, 430, DIG. 12

See application file for complete search history.

(56) **References Cited**

U.S. PATENT DOCUMENTS

D422,194 S * 4/2000 Knodt et al. D8/303

* cited by examiner

Primary Examiner—Alan P. Douglas

Assistant Examiner—Linda Brooks

(74) *Attorney, Agent, or Firm*—David W. Carstens; Carstens & Cahoon, LLP

(57) **CLAIM**

The ornamental design for a bicycle shifter, as shown.

DESCRIPTION

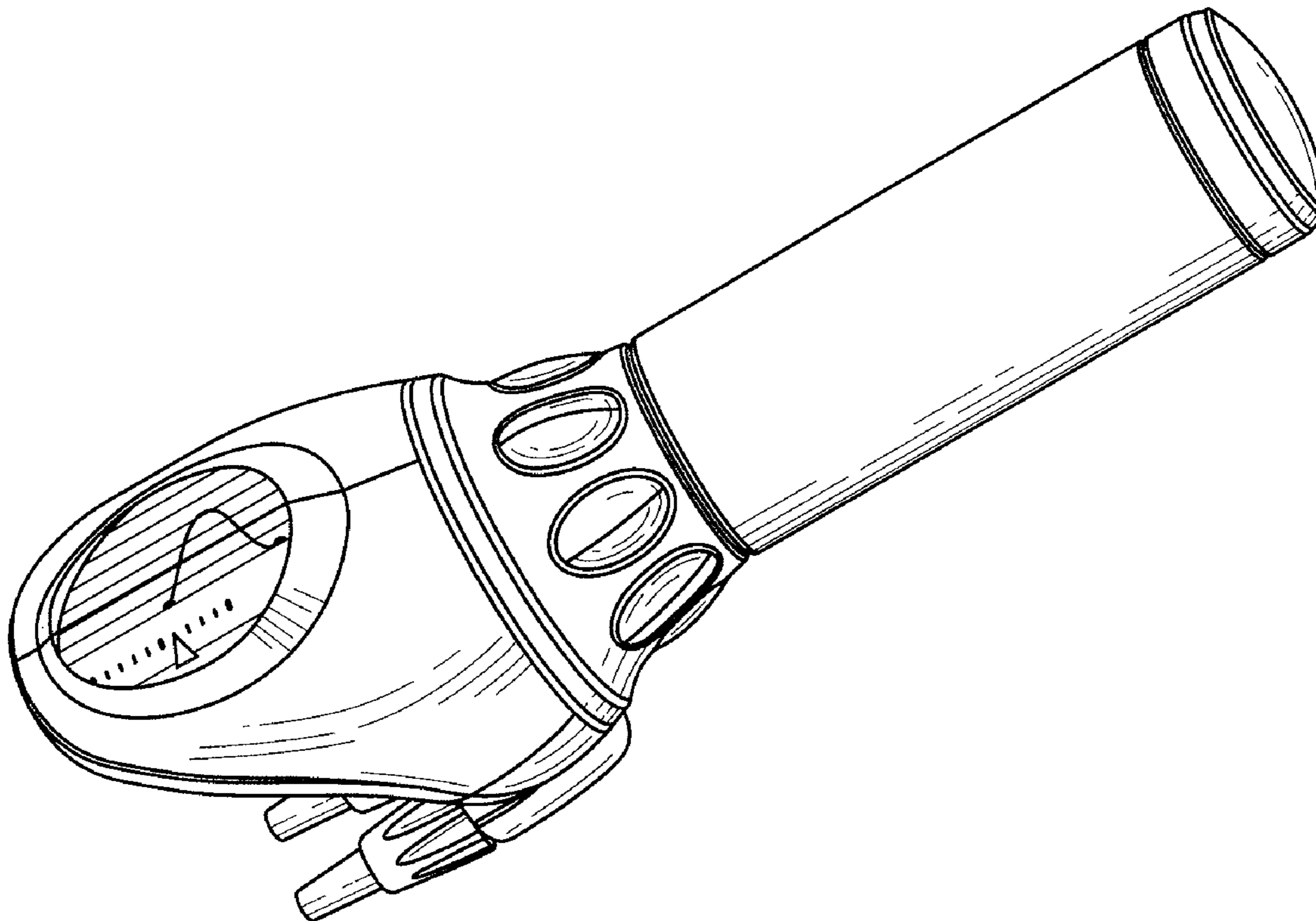
FIG. 1 is a perspective view of the bicycle shifter;

FIG. 2 is a top view of the bicycle shifter of FIG. 1;

FIG. 3 is a front view of the bicycle shifter of FIG. 1; and,

FIG. 4 is an end view of the bicycle shifter of FIG. 1.

1 Claim, 2 Drawing Sheets



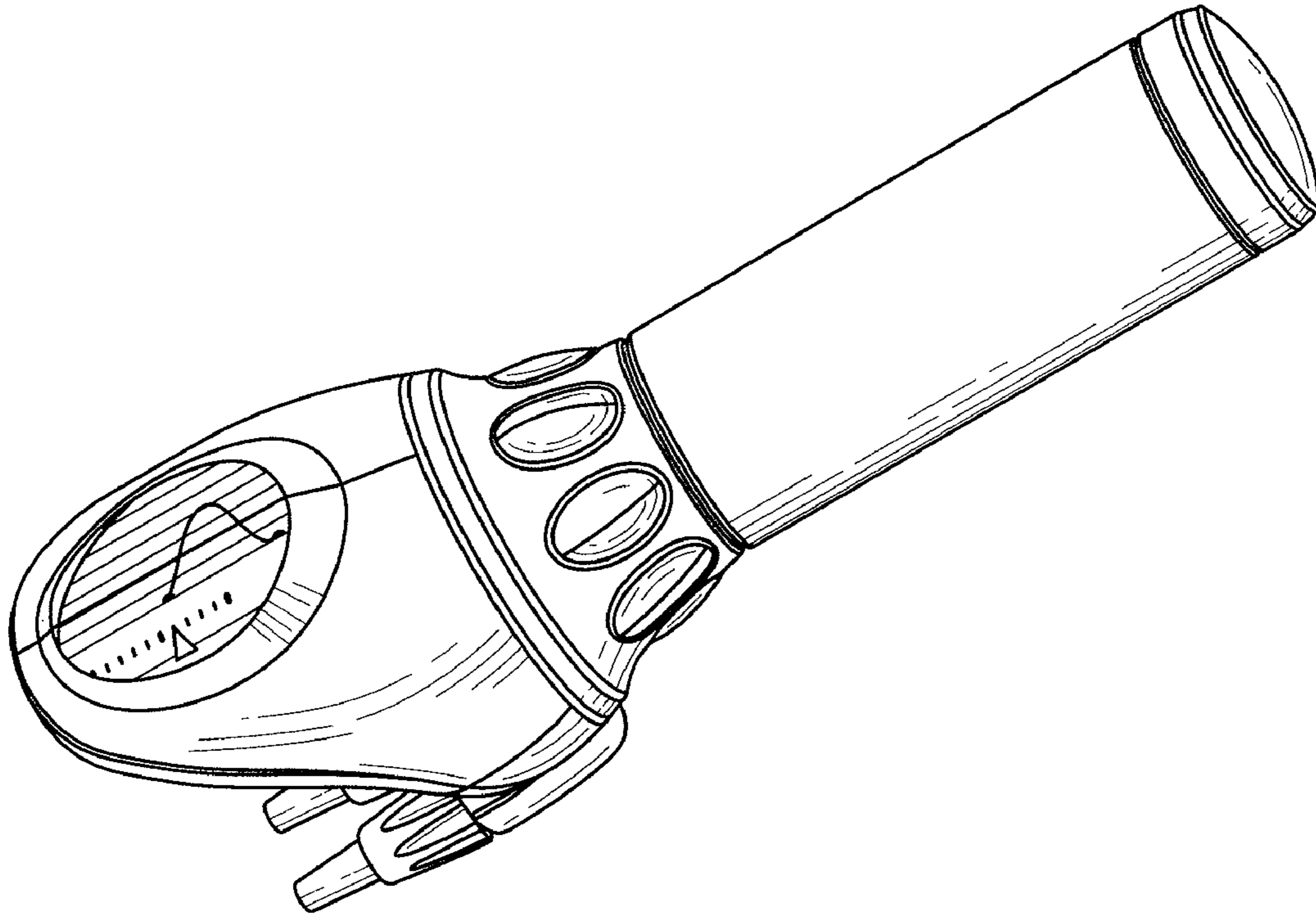


FIG. 1

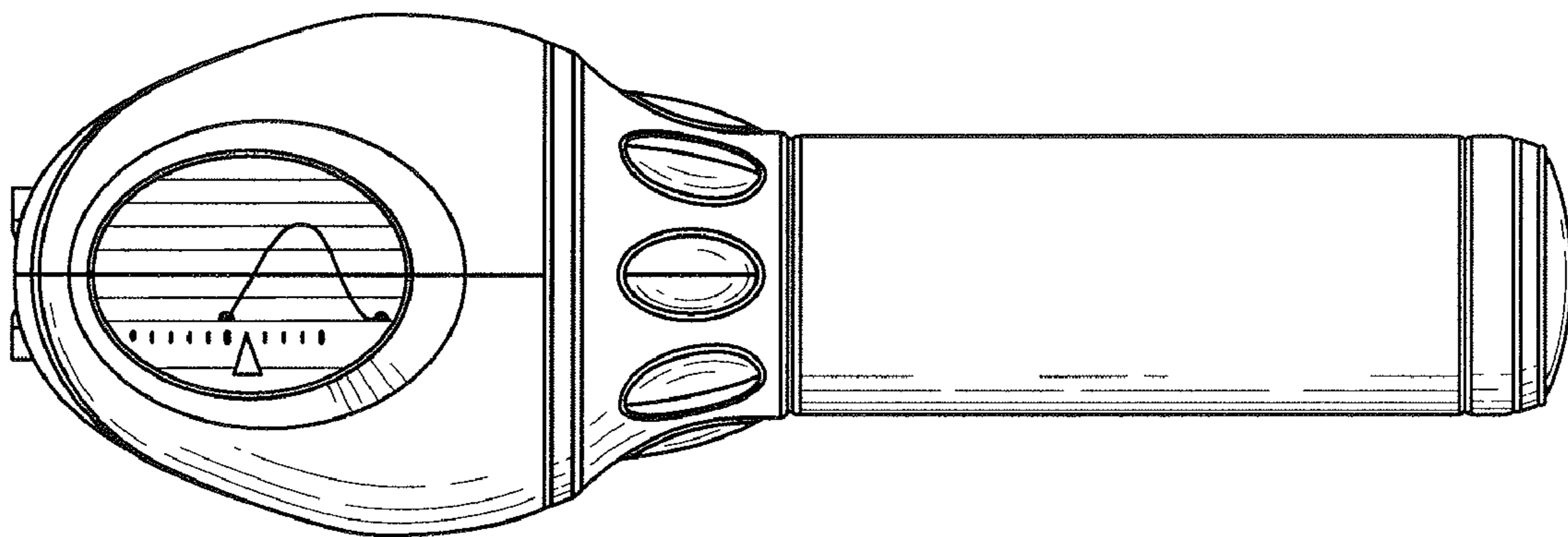


FIG. 2

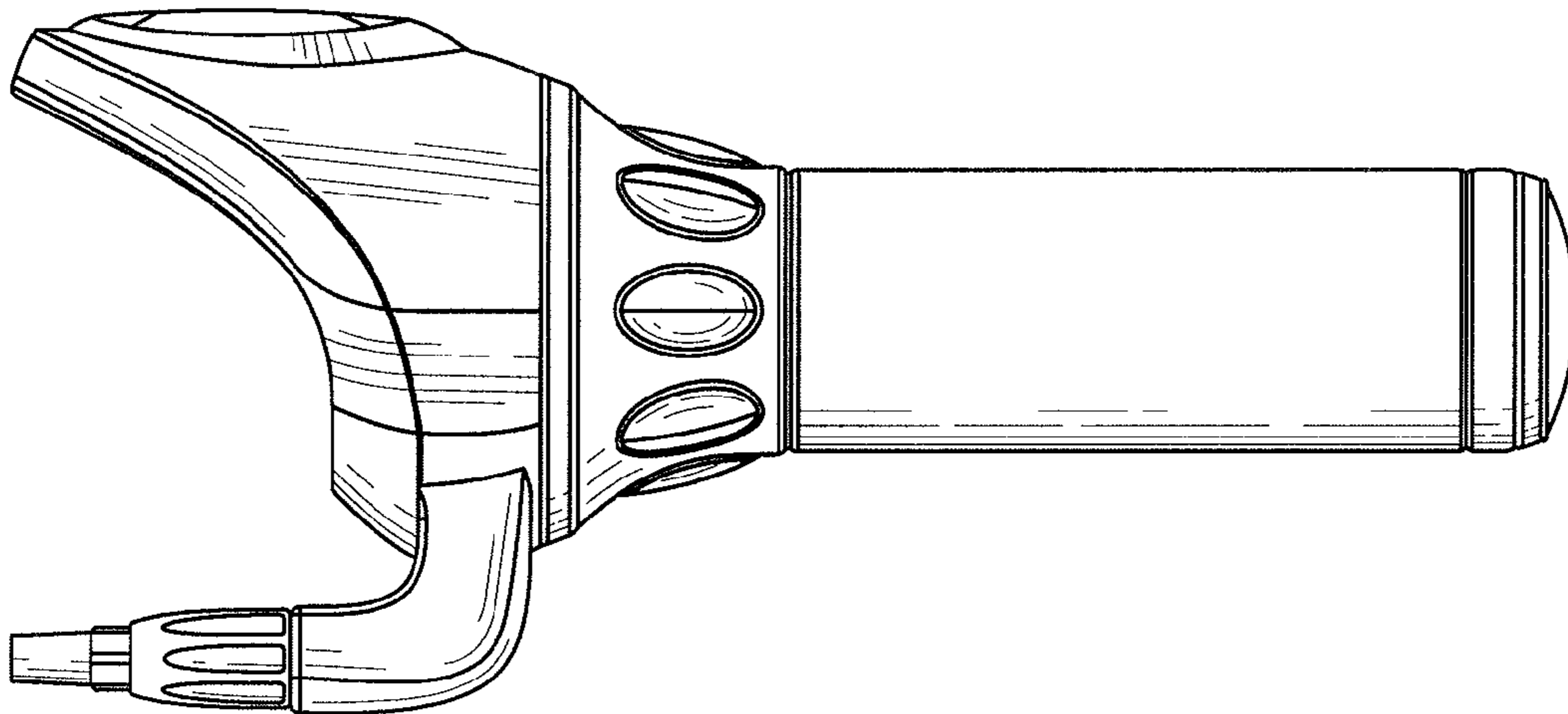


FIG. 3

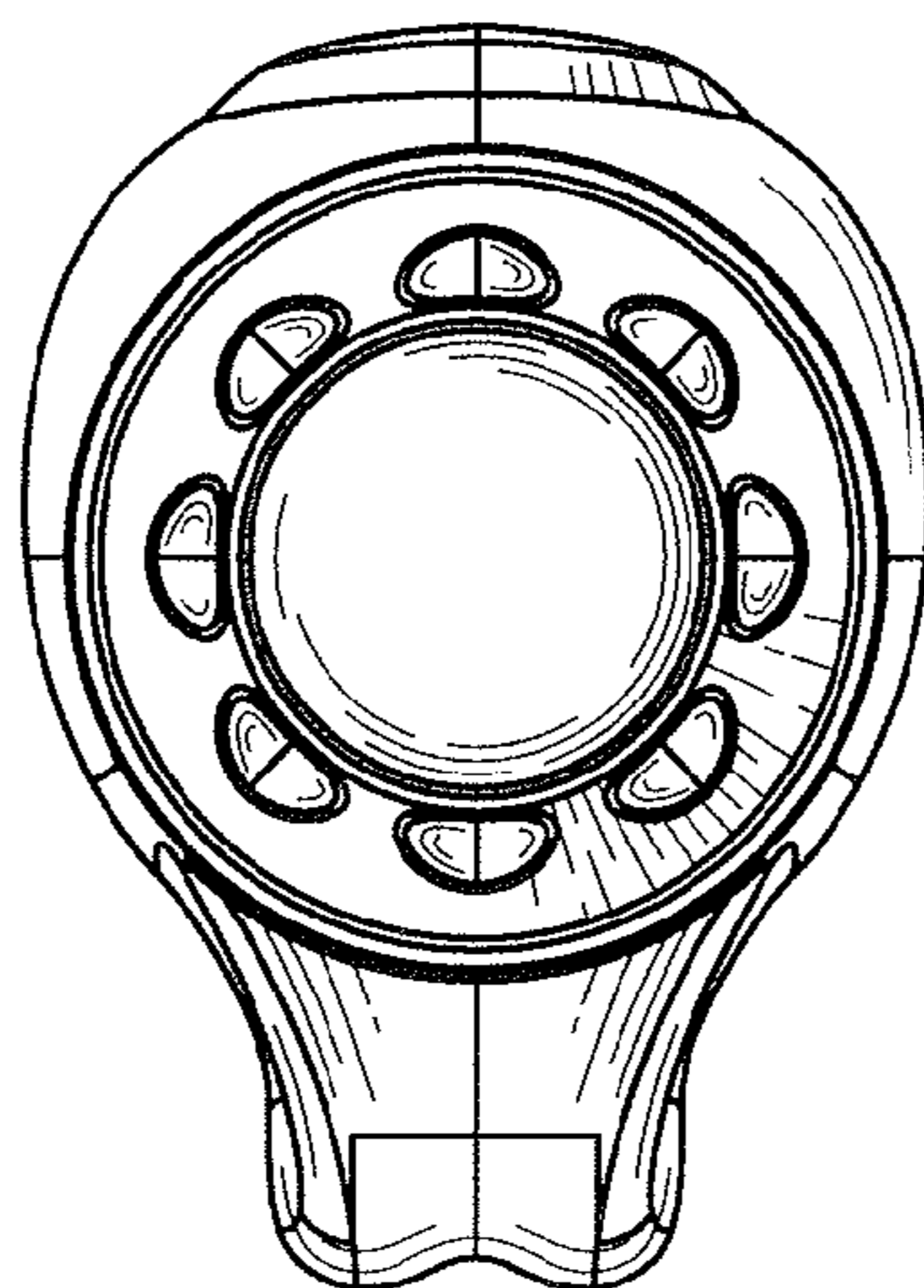


FIG. 4