



US00D548653S

(12) **United States Design Patent**
Costa

(10) **Patent No.:** **US D548,653 S**

(45) **Date of Patent:** **** Aug. 14, 2007**

(54) **STEERING WHEEL FOR A CAR AND/OR GAME CONTROLLER**

(75) Inventor: **Aldo Costa**, Parma (IT)

(73) Assignee: **Ferrari S.p.A.**, Modena (IT)

(**) Term: **14 Years**

(21) Appl. No.: **29/263,413**

(22) Filed: **Jul. 21, 2006**

(30) **Foreign Application Priority Data**

Jan. 24, 2006 (EM) 000468392
Jan. 24, 2006 (EM) 000468400

(51) **LOC (8) Cl.** **12-16**

(52) **U.S. Cl.** **D12/176; D14/218**

(58) **Field of Classification Search** D12/175-177;
D14/218, 299, 137-139, 191-193; D21/512-517,
D21/566; 74/552, 558, 558.5
See application file for complete search history.

(56) **References Cited**

U.S. PATENT DOCUMENTS

D342,474 S * 12/1993 Oki D12/176
D499,366 S * 12/2004 Habib D12/176
D500,028 S * 12/2004 Hoehn et al. D14/218

D502,903 S * 3/2005 Hebert et al. D12/176
D513,721 S * 1/2006 Pfeiffer D12/176
D514,485 S * 2/2006 Juraschek et al. D12/176
D515,479 S * 2/2006 Yamazaki et al. D12/176
D521,426 S * 5/2006 Hoffmann D12/176
D525,573 S * 7/2006 Young D12/176

* cited by examiner

Primary Examiner—Melody N. Brown

(74) *Attorney, Agent, or Firm*—Cowan, Liebowitz & Latman, PC

(57) **CLAIM**

The ornamental design for a steering wheel for a car and/or game controller, as shown and described.

DESCRIPTION

FIG. 1 is a front view of the steering wheel for a car and/or game controller showing my design thereof;

FIG. 2 is a left side view thereof;

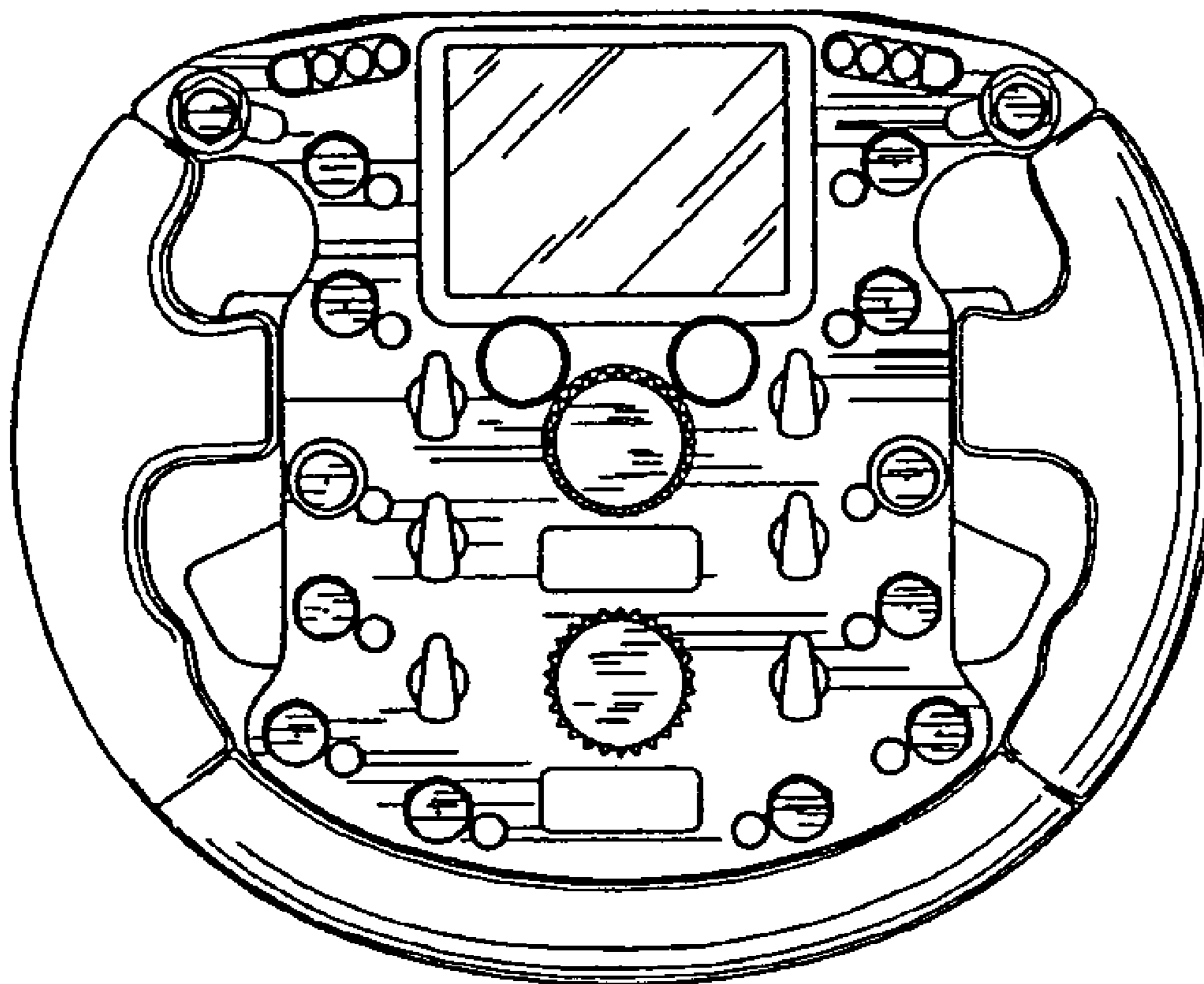
FIG. 3 is a right side view thereof;

FIG. 4 is a bottom view thereof;

FIG. 5 is a top view thereof; and,

FIG. 6 is a rear view thereof.

1 Claim, 1 Drawing Sheet



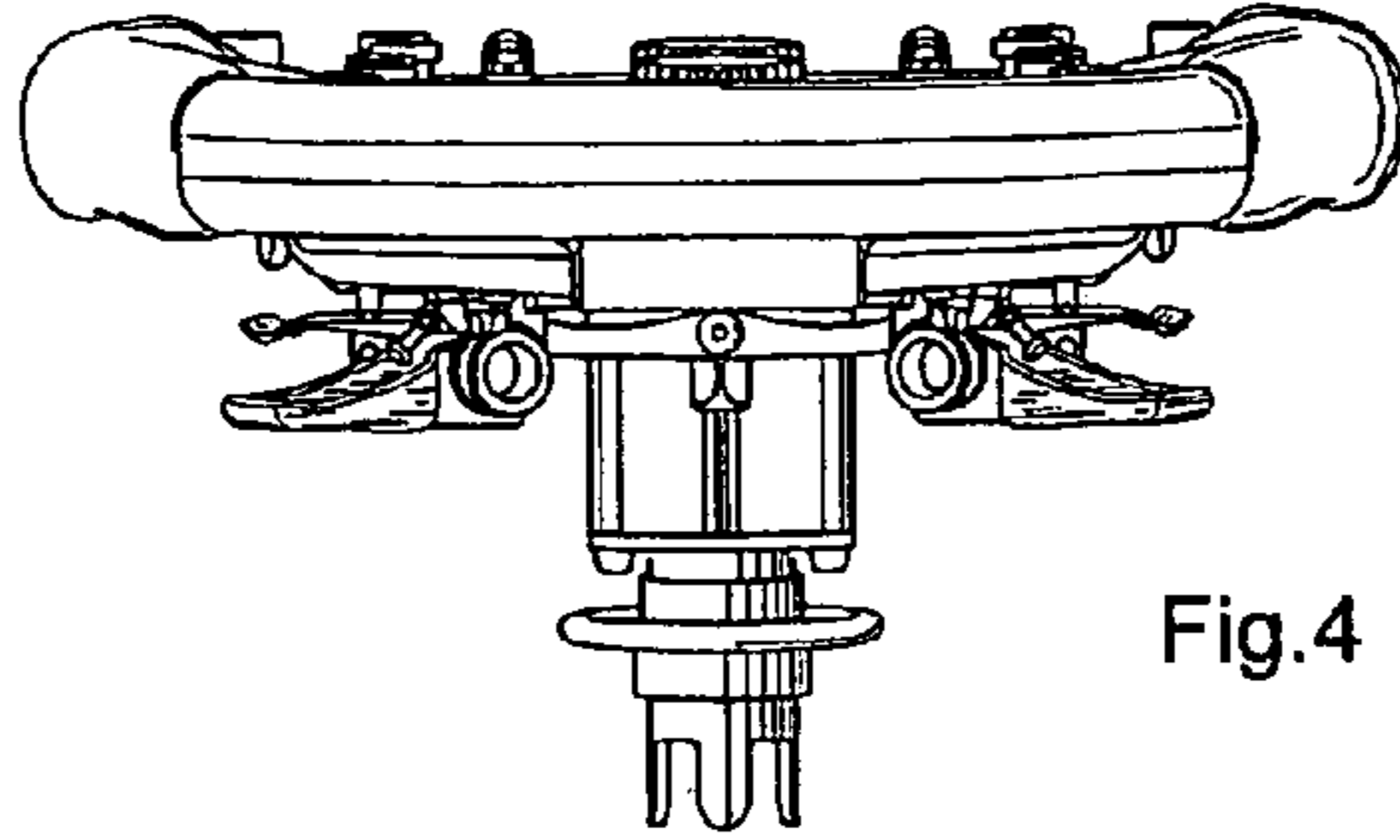


Fig.4

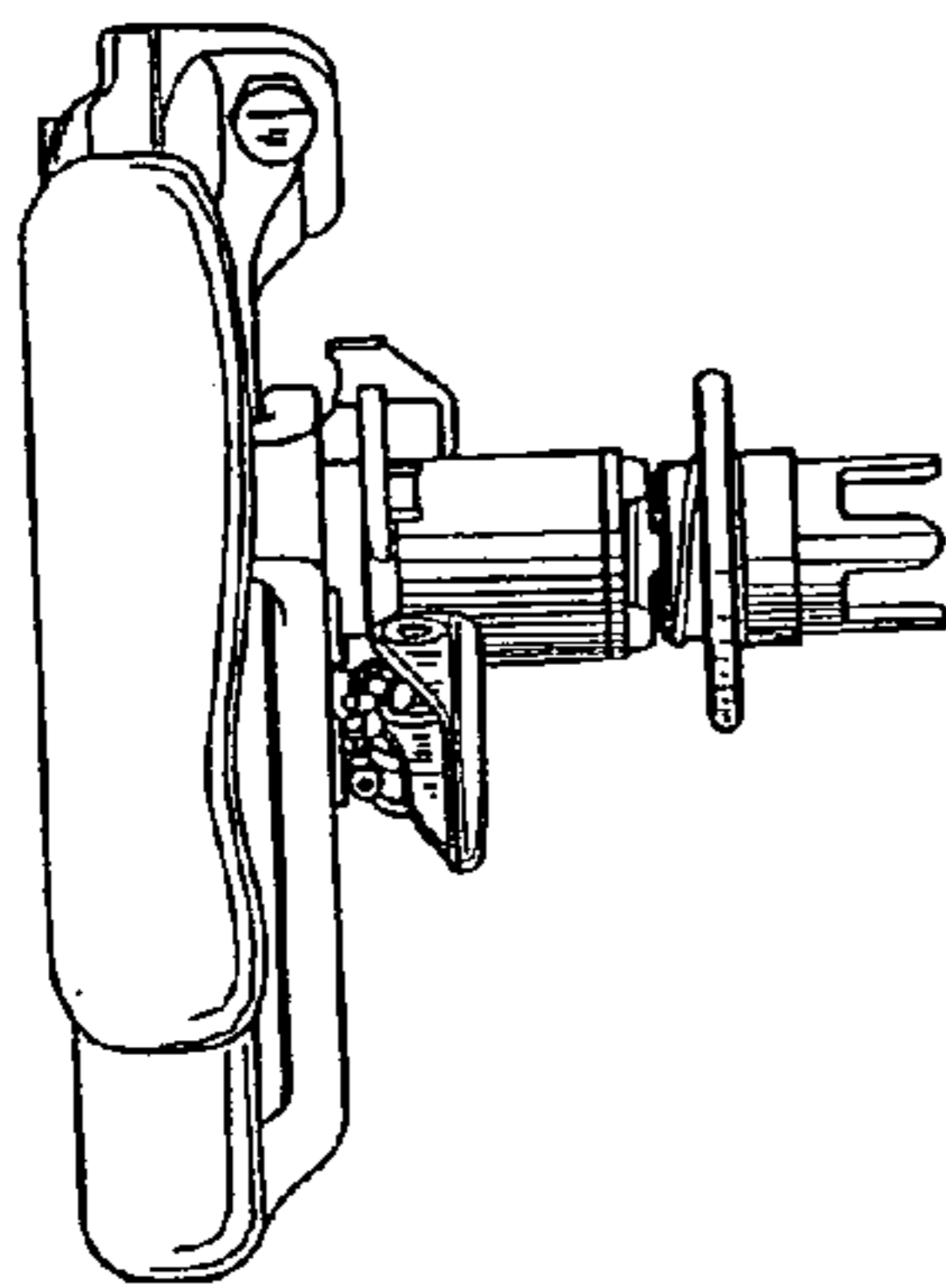


Fig.3

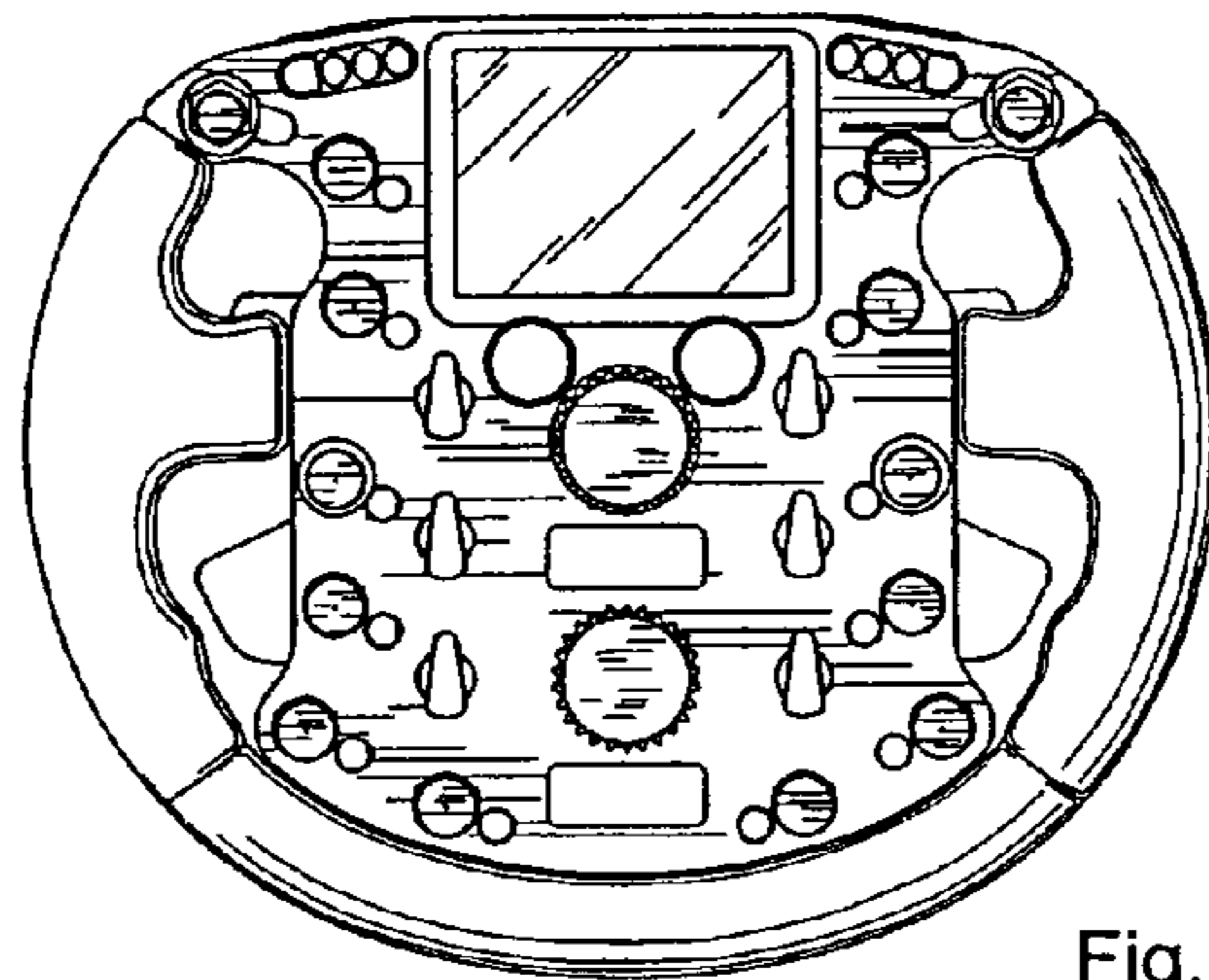


Fig.1

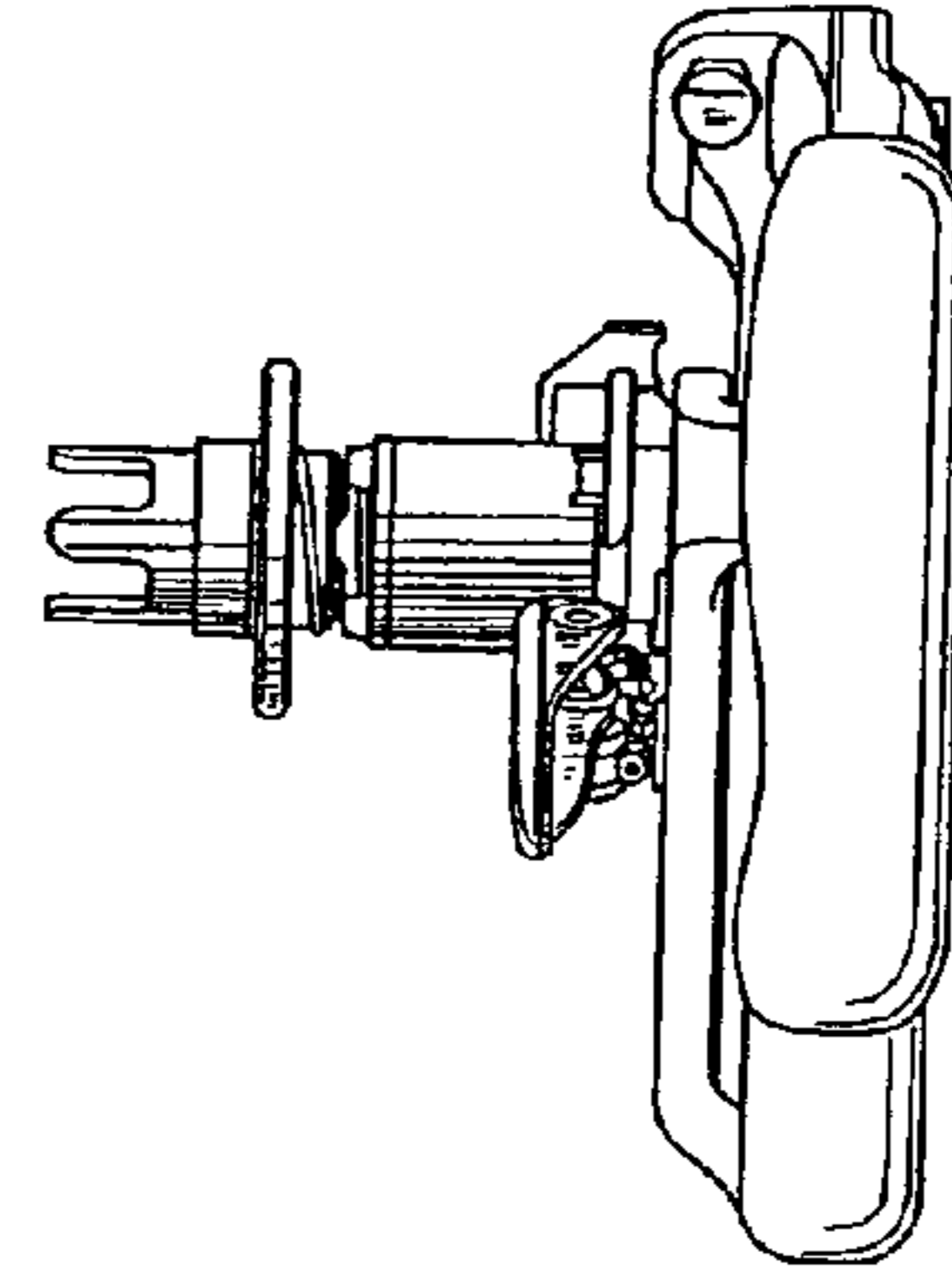


Fig.2

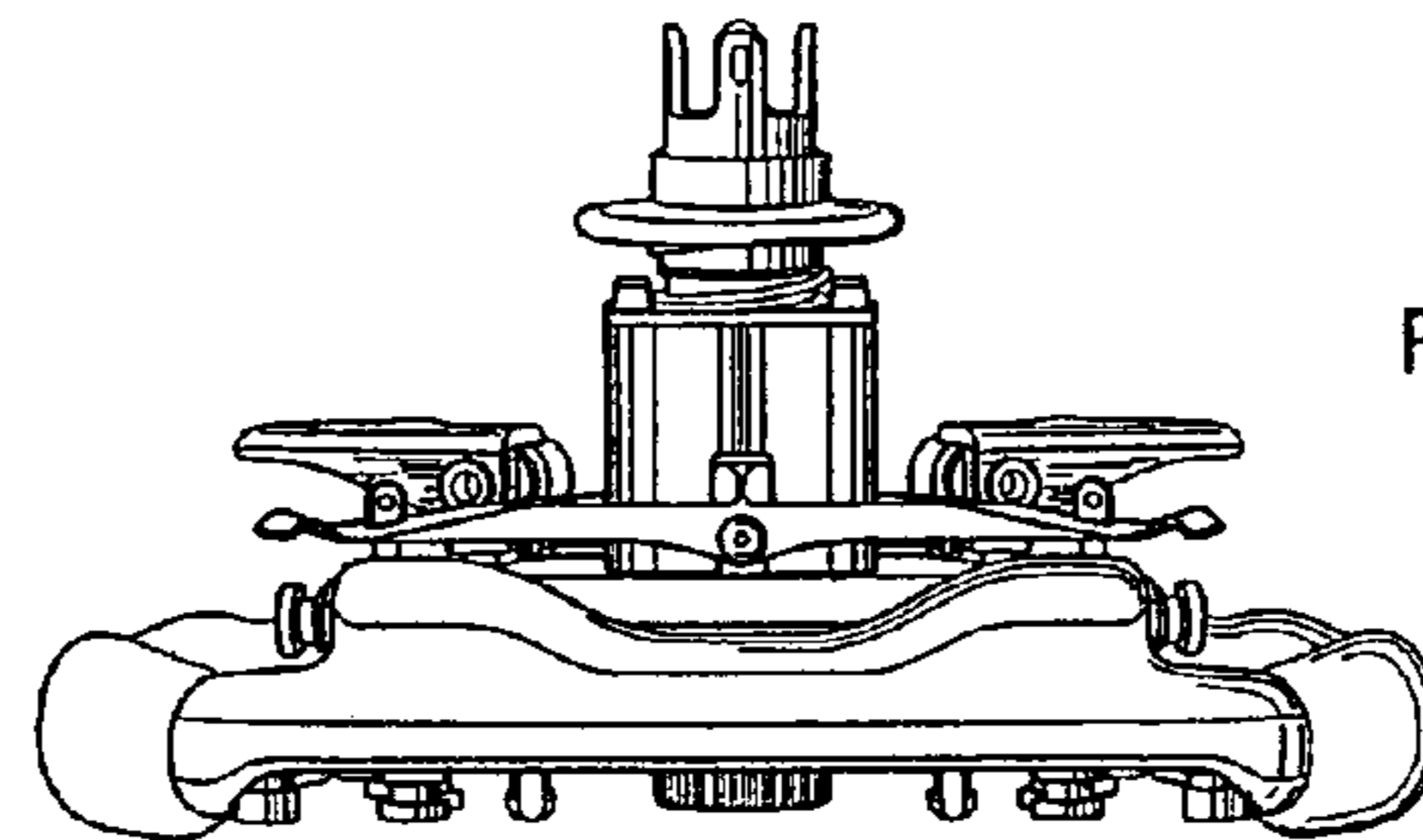


Fig.5

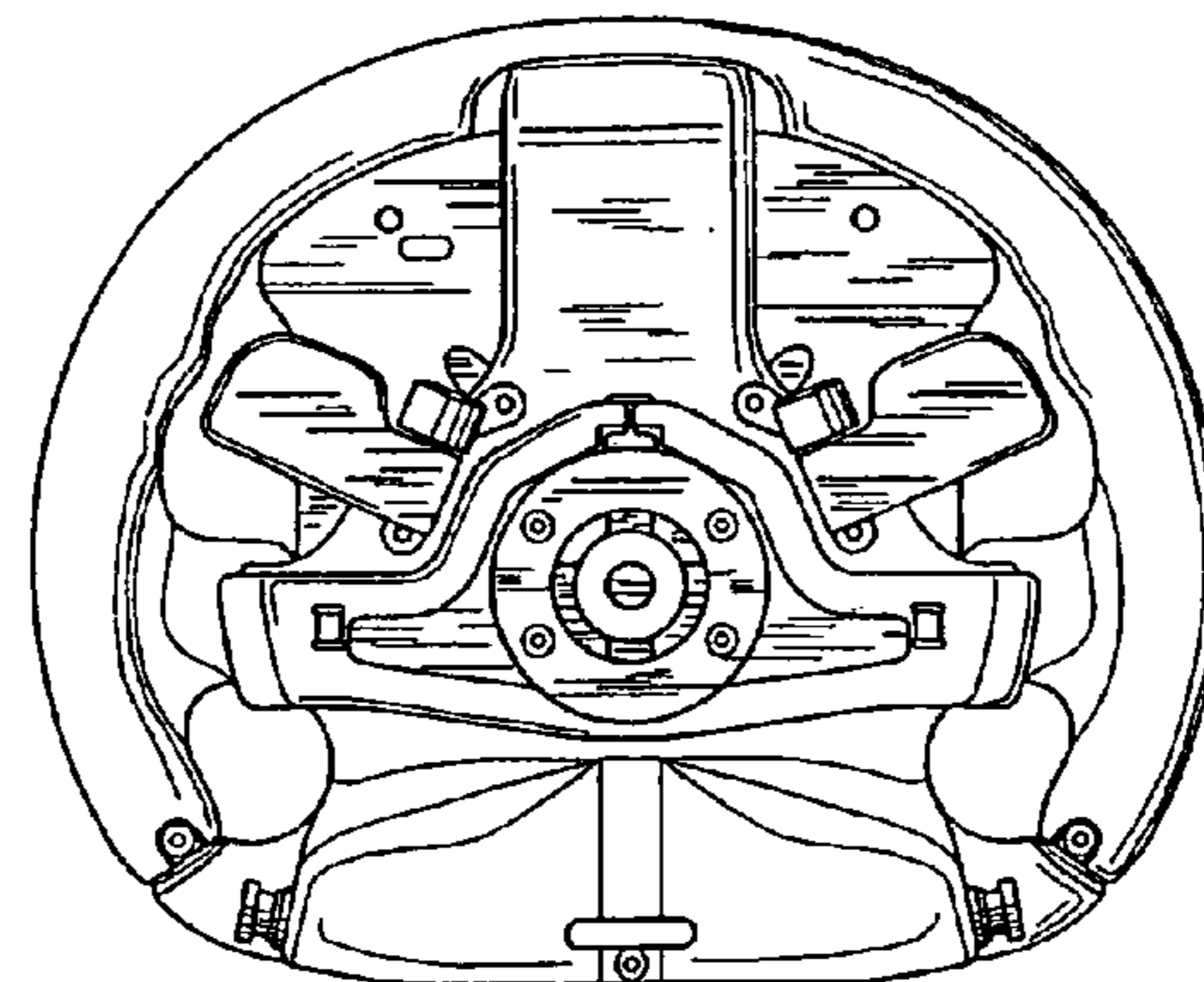


Fig.6