



US00D548651S

(12) **United States Design Patent**
Chiang

(10) **Patent No.:** **US D548,651 S**

(45) **Date of Patent:** **** Aug. 14, 2007**

(54) **ENGINE HOOD FOR AUTOMOBILES**

D518,761 S * 4/2006 Chiang D12/173
D529,420 S * 10/2006 Chiang D12/173

(75) Inventor: **Tommy Chiang**, Taipei (TW)

* cited by examiner

(73) Assignee: **Grand HC Auto Tooling Corp.**, Taipei (TW)

Primary Examiner—Melody N. Brown
(74) *Attorney, Agent, or Firm*—Troxell Law Office, PLLC

(**) Term: **14 Years**

(21) Appl. No.: **29/266,535**

(57) **CLAIM**

(22) Filed: **Sep. 25, 2006**

The ornamental design for an engine hood for automobiles, as shown and described.

(51) **LOC (8) Cl.** **12-16**

(52) **U.S. Cl.** **D12/173**

(58) **Field of Classification Search** D12/173,
D12/96, 90-92; 180/69.2, 69.21, 69.22,
180/69.25

See application file for complete search history.

DESCRIPTION

(56) **References Cited**

U.S. PATENT DOCUMENTS

D485,517 S * 1/2004 Chiang D12/173
D495,633 S * 9/2004 Chiang D12/173
D510,550 S * 10/2005 Chiang D12/173
D512,666 S * 12/2005 Chiang D12/173

FIG. 1 is a perspective view of an engine hood for automobiles showing my new design;

FIG. 2 is a front view thereof;

FIG. 3 is a rear view thereof;

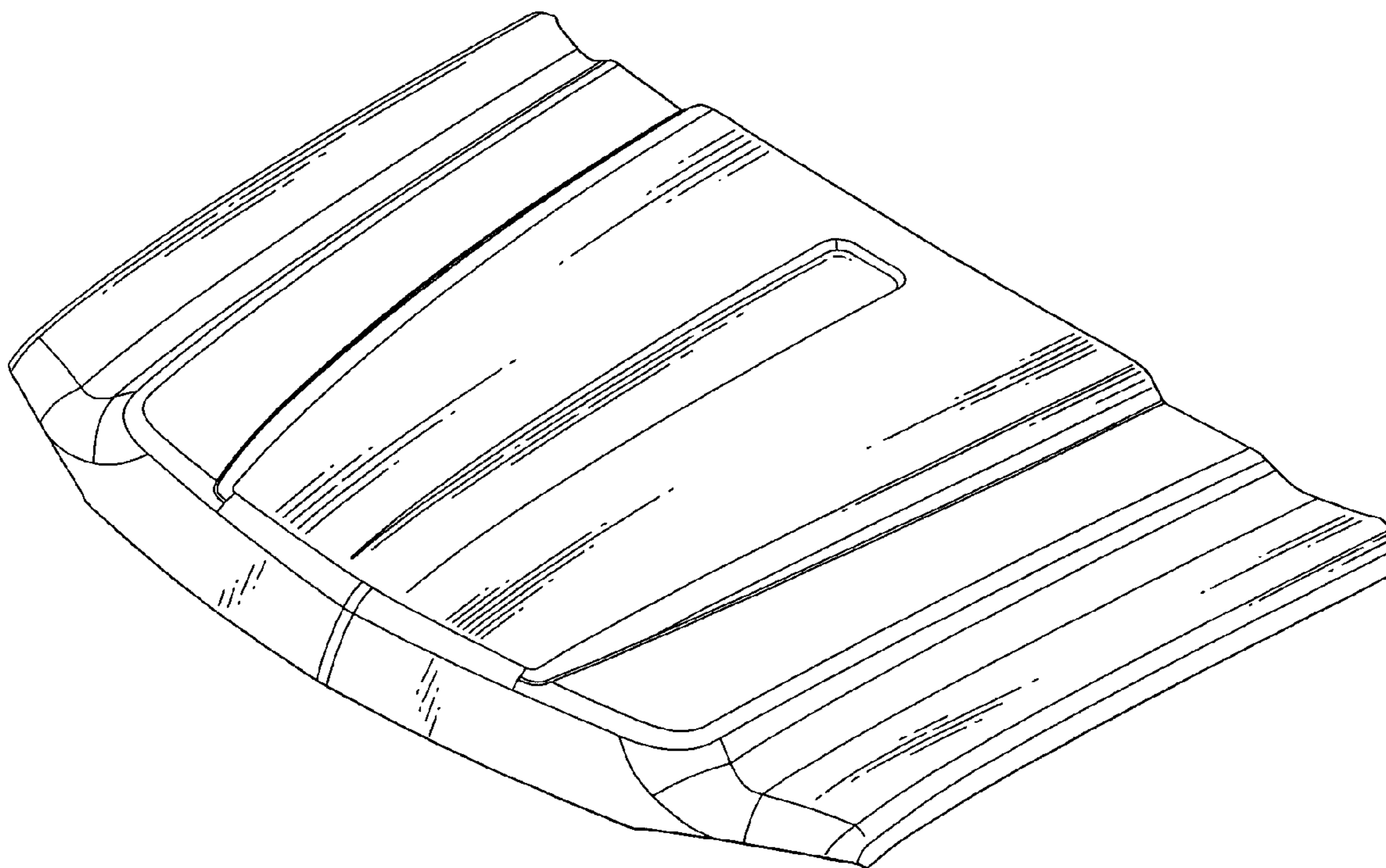
FIG. 4 is a left side view thereof;

FIG. 5 is a right side view thereof;

FIG. 6 is a top view thereof; and,

FIG. 7 is a bottom view thereof.

1 Claim, 5 Drawing Sheets



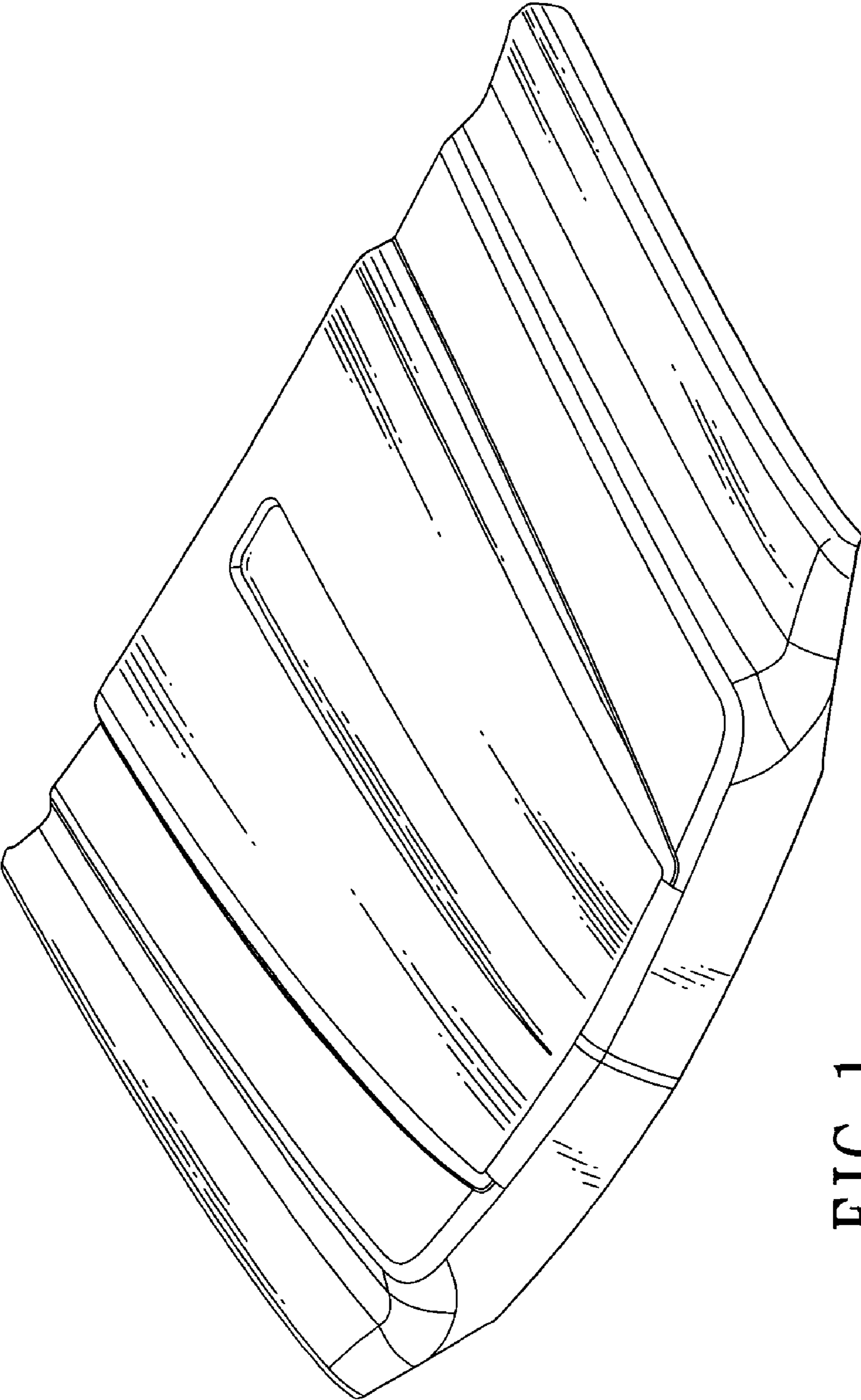


FIG. 1

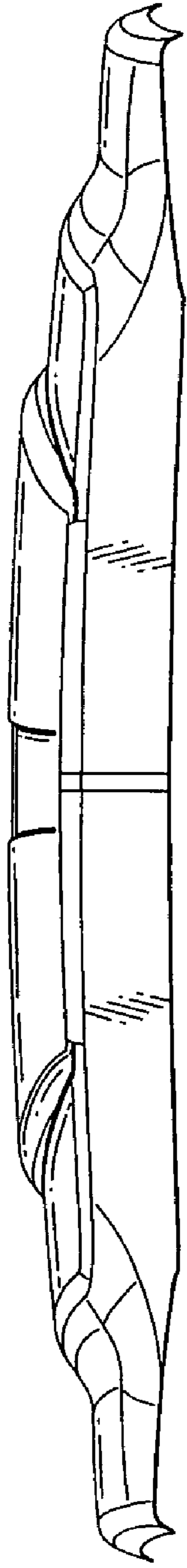


FIG. 2

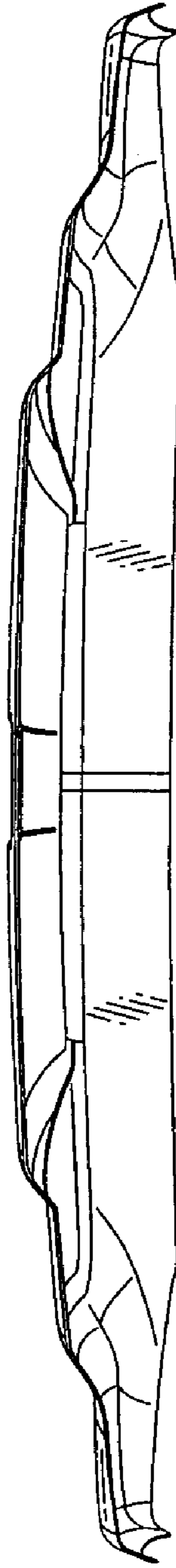


FIG. 3



FIG. 4

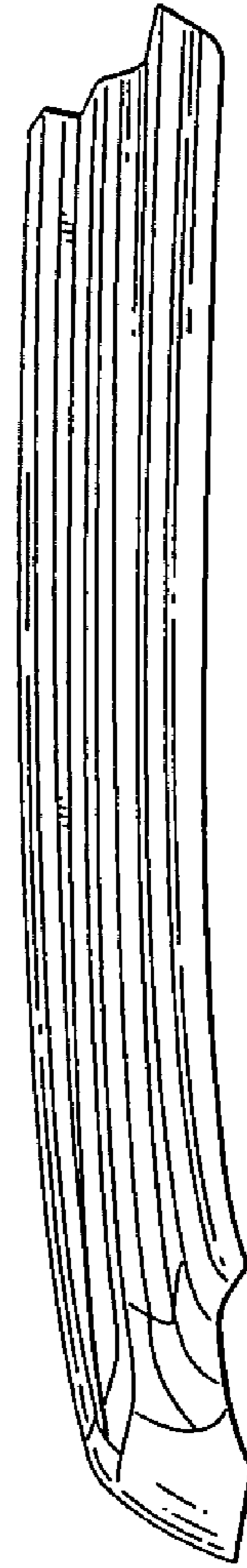


FIG. 5

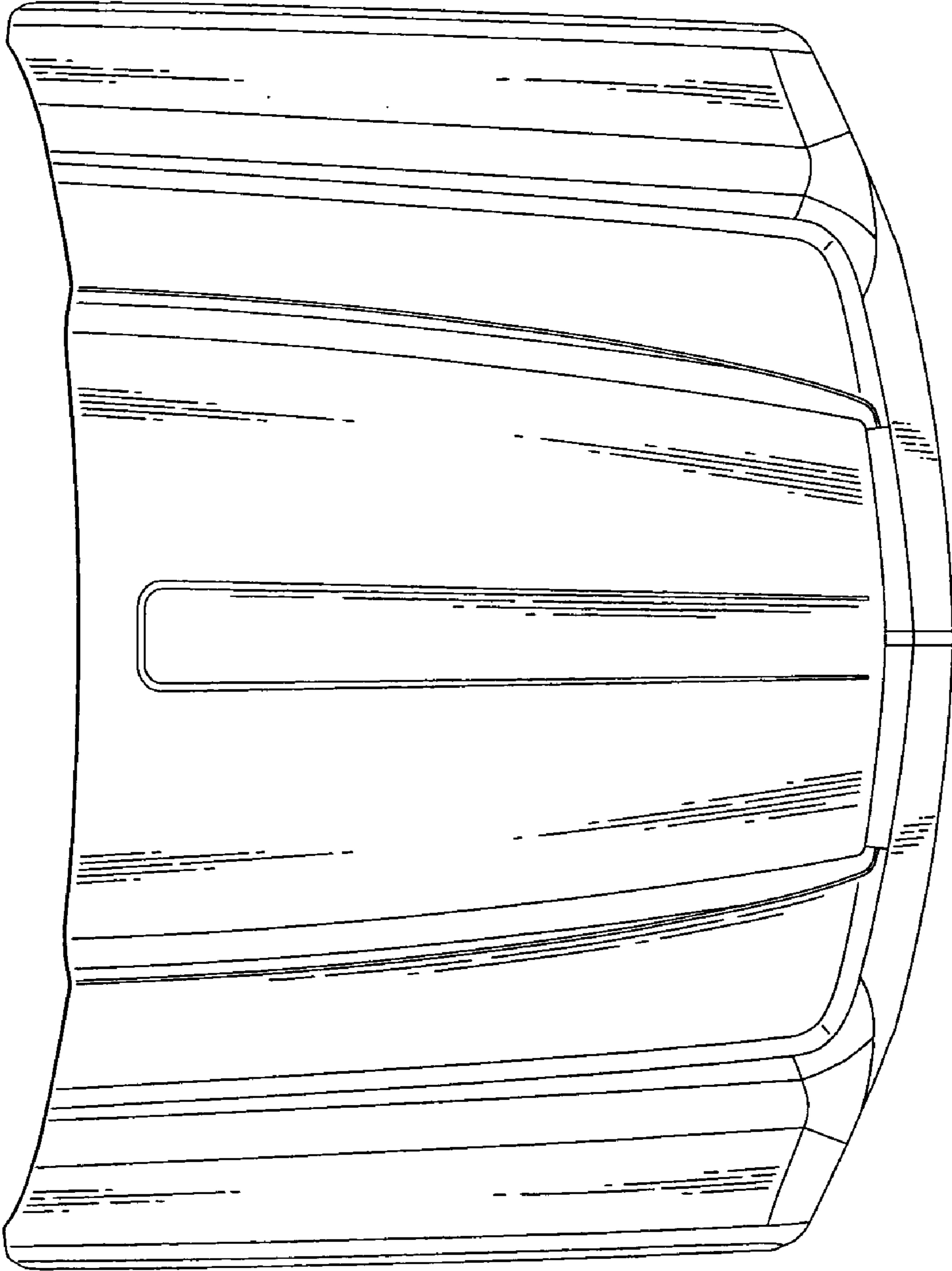


FIG. 6

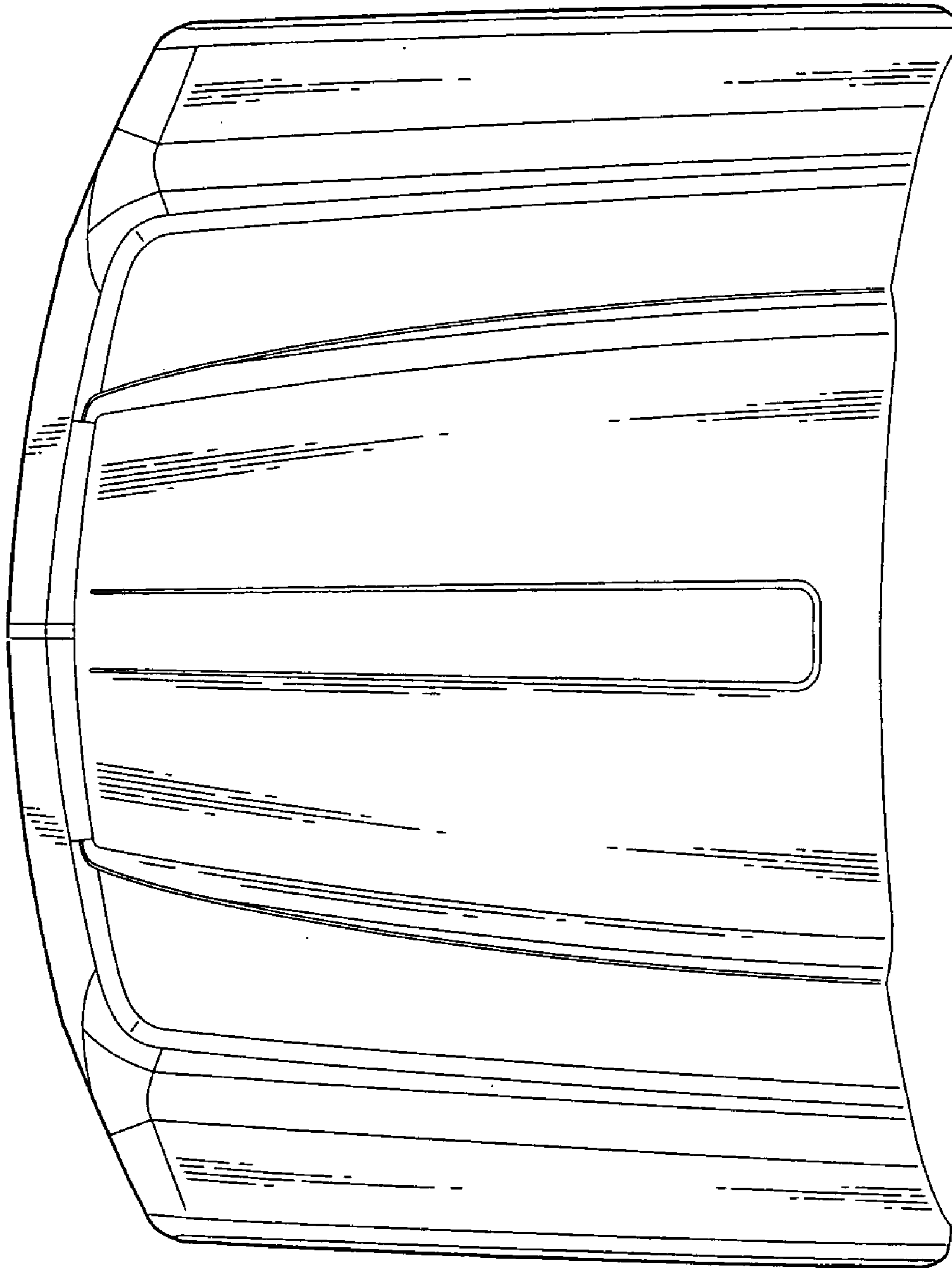


FIG. 7