



US00D548647S

(12) **United States Design Patent**
Green, Jr. et al.

(10) **Patent No.:** **US D548,647 S**

(45) **Date of Patent:** **** Aug. 14, 2007**

(54) **ARMORED VEHICLE OR TOY REPLICA**

(75) Inventors: **Paul C. Green, Jr.**, Mt. Pleasant, SC
(US); **Timothy L. Smith**, Goose Creek,
SC (US)

(73) Assignee: **Force Protection Industries, Inc.**,
Ladson, SC (US)

(**) Term: **14 Years**

(21) Appl. No.: **29/245,737**

(22) Filed: **Dec. 29, 2005**

(51) **LOC (8) Cl.** **12-13**

(52) **U.S. Cl.** **D12/12**

(58) **Field of Classification Search** D12/12,
D12/86-89, 91, 92, 1-4, 16.1, 98-100; D21/533,
D21/539, 548-552, 557-60, 579, 580-583,
D21/442, 436, 447, 560, 86, 91; 180/232,
180/242, 89.12, 449; 410/57; 89/36.08,
89/36.09, 37.03, 38, 40.03, 36 F, 36 H, 4 B,
89/36.01, 36.13; 446/465, 470, 471, 487;
296/181.3, 1.01, 183, 24.1, 37.6, 185, 186,
296/204, 186.1; 280/838, 839
See application file for complete search history.

(56) **References Cited**

U.S. PATENT DOCUMENTS

2,382,862 A * 8/1945 Davis, Jr. 89/36.08
D262,099 S * 12/1981 Harding D12/12

4,351,558 A * 9/1982 Mueller 296/203.01
5,663,520 A * 9/1997 Ladika et al. 89/36.08
D465,435 S * 11/2002 Legueu D12/12
D484,438 S * 12/2003 Knoth et al. D12/12
D508,441 S * 8/2005 Moushegian et al. D12/98
D513,395 S * 1/2006 Pizzuti et al. D12/91

* cited by examiner

Primary Examiner—Louis S. Zarfes

Assistant Examiner—Anna Dworzecka

(74) *Attorney, Agent, or Firm*—Finnegan, Henderson,
Farabow, Garrett & Dunner, L.L.P.

(57) **CLAIM**

The ornamental design for an armored vehicle or toy replica,
as shown and described.

DESCRIPTION

FIG. 1 is left, front perspective view of an armored vehicle
or toy replica of my new design;

FIG. 2 is a right, side view thereof;

FIG. 3 is a left, side thereof;

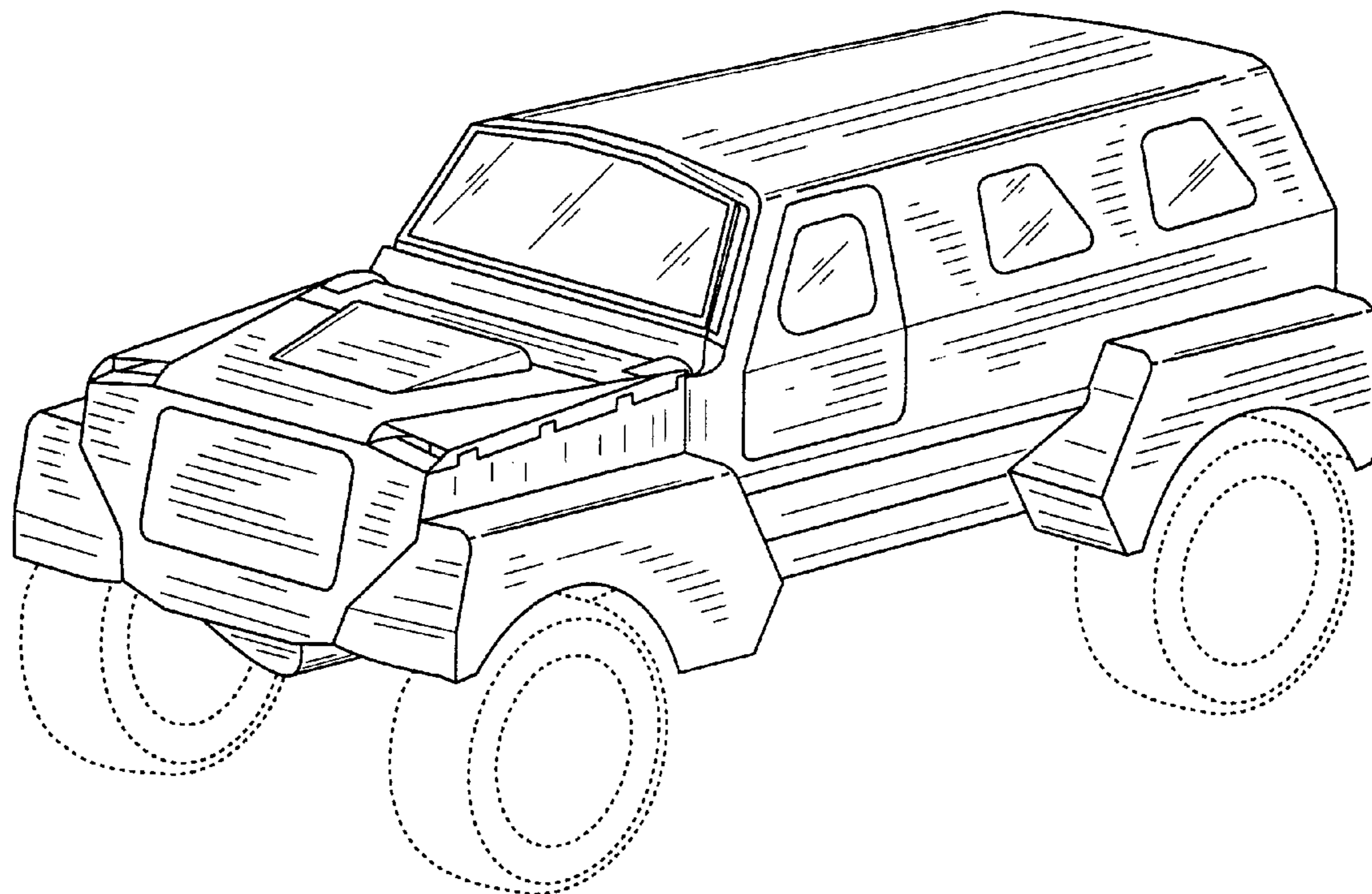
FIG. 4 is a front view thereof;

FIG. 5 is a rear view thereof; and,

FIG. 6 is a top plan view thereof.

The broken lines are for the purpose of illustration only and
form no part of the claimed design.

1 Claim, 5 Drawing Sheets



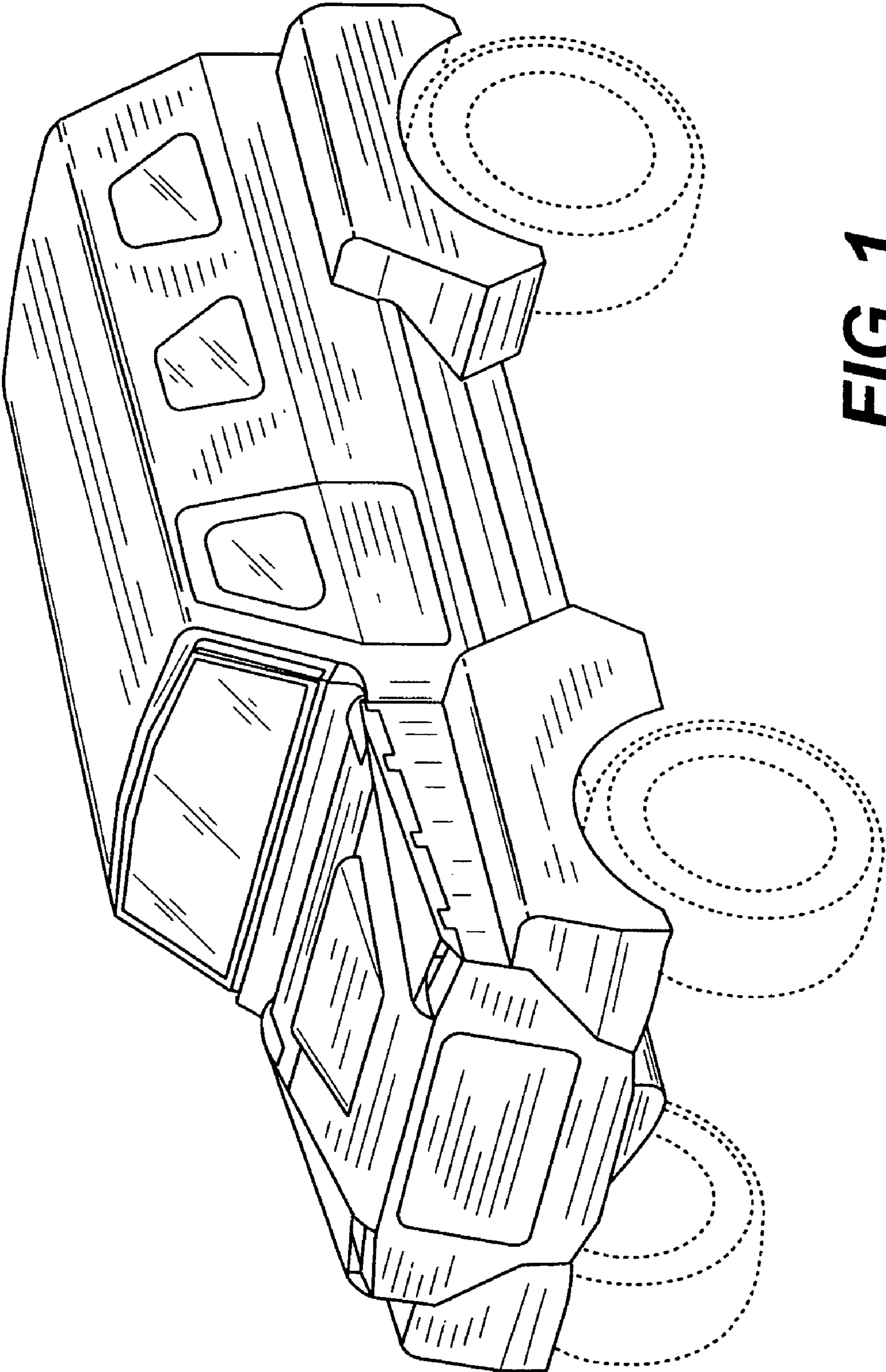


FIG. 1

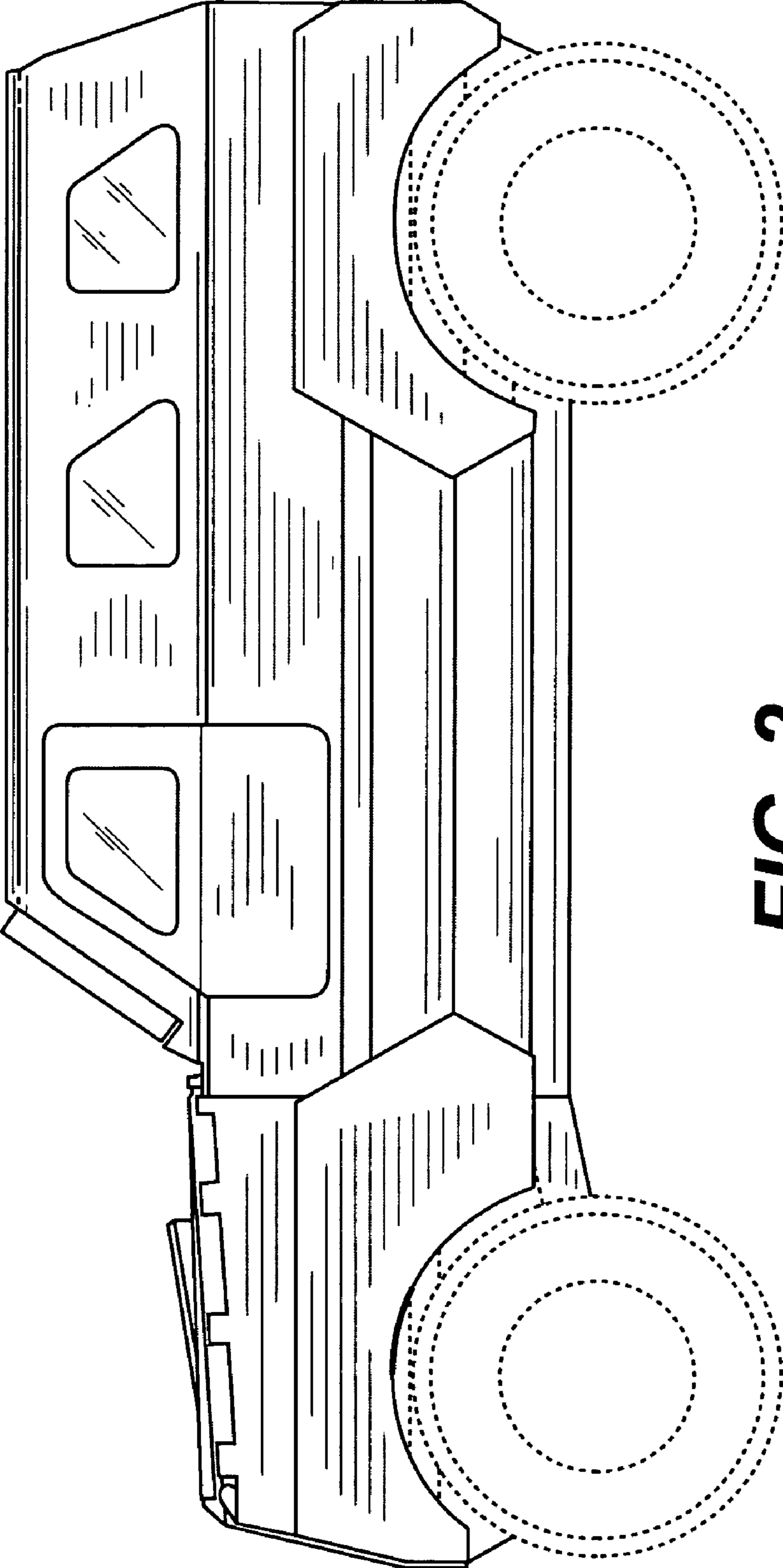


FIG. 2

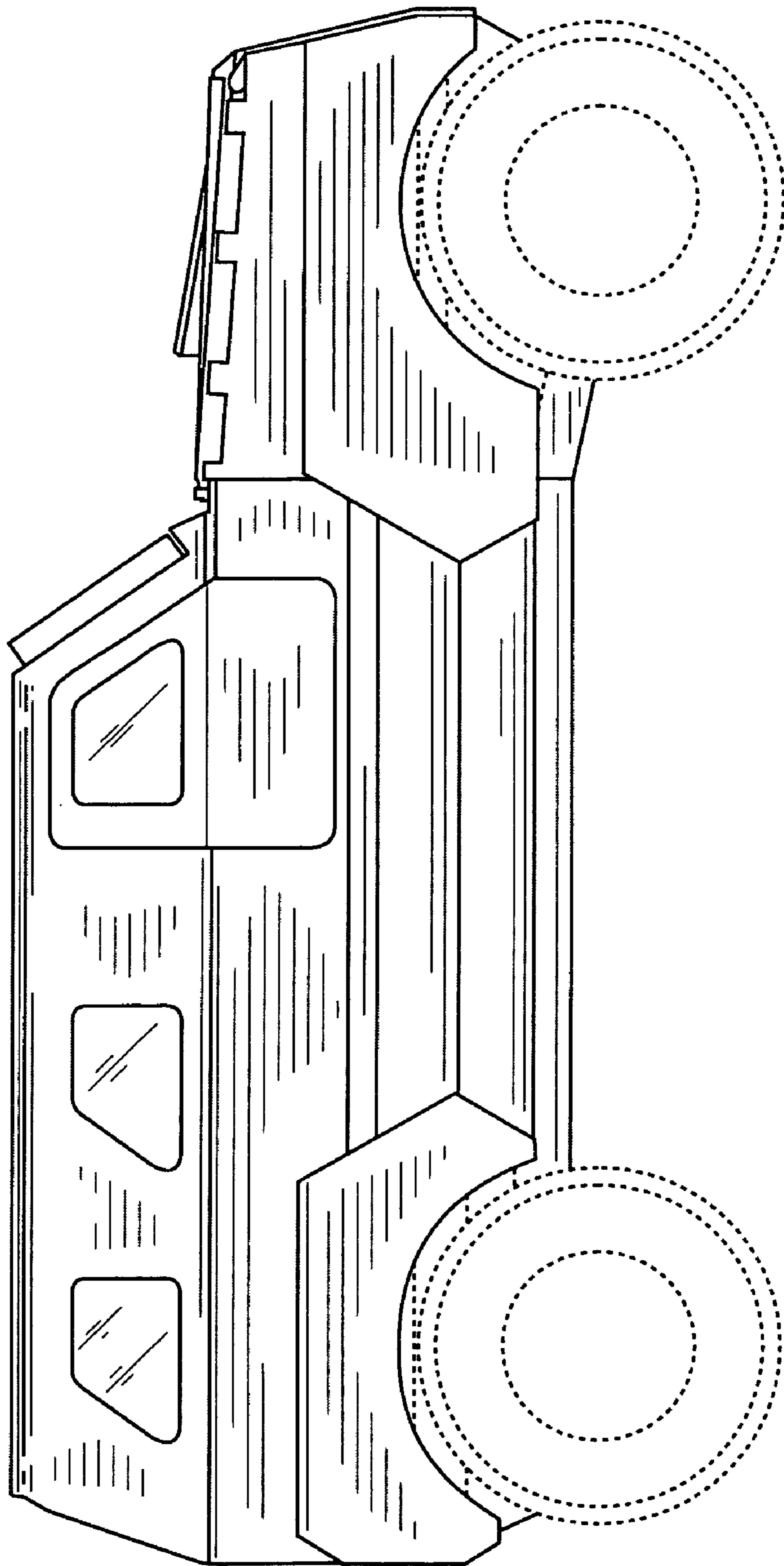


FIG. 3

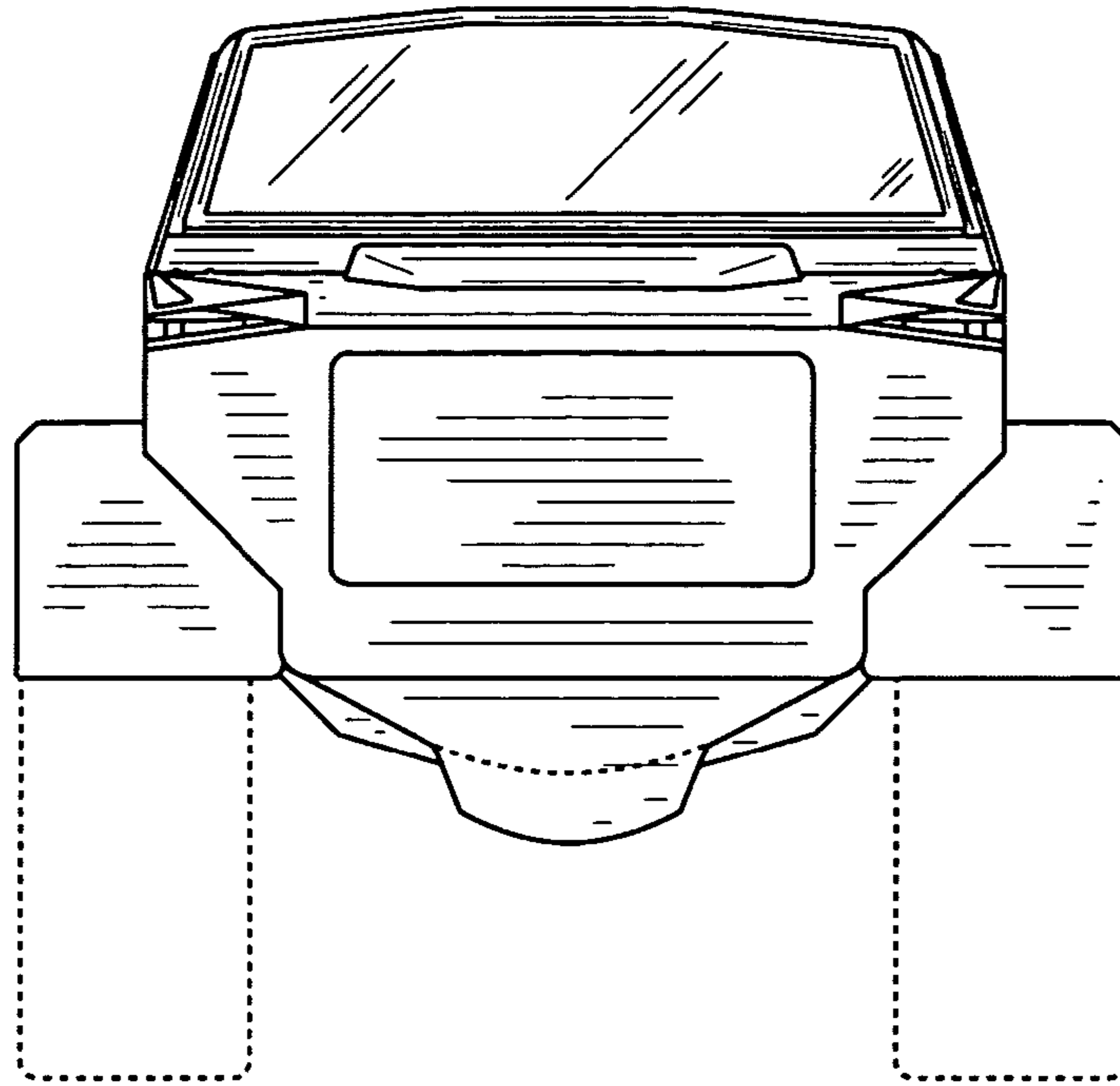


FIG. 4

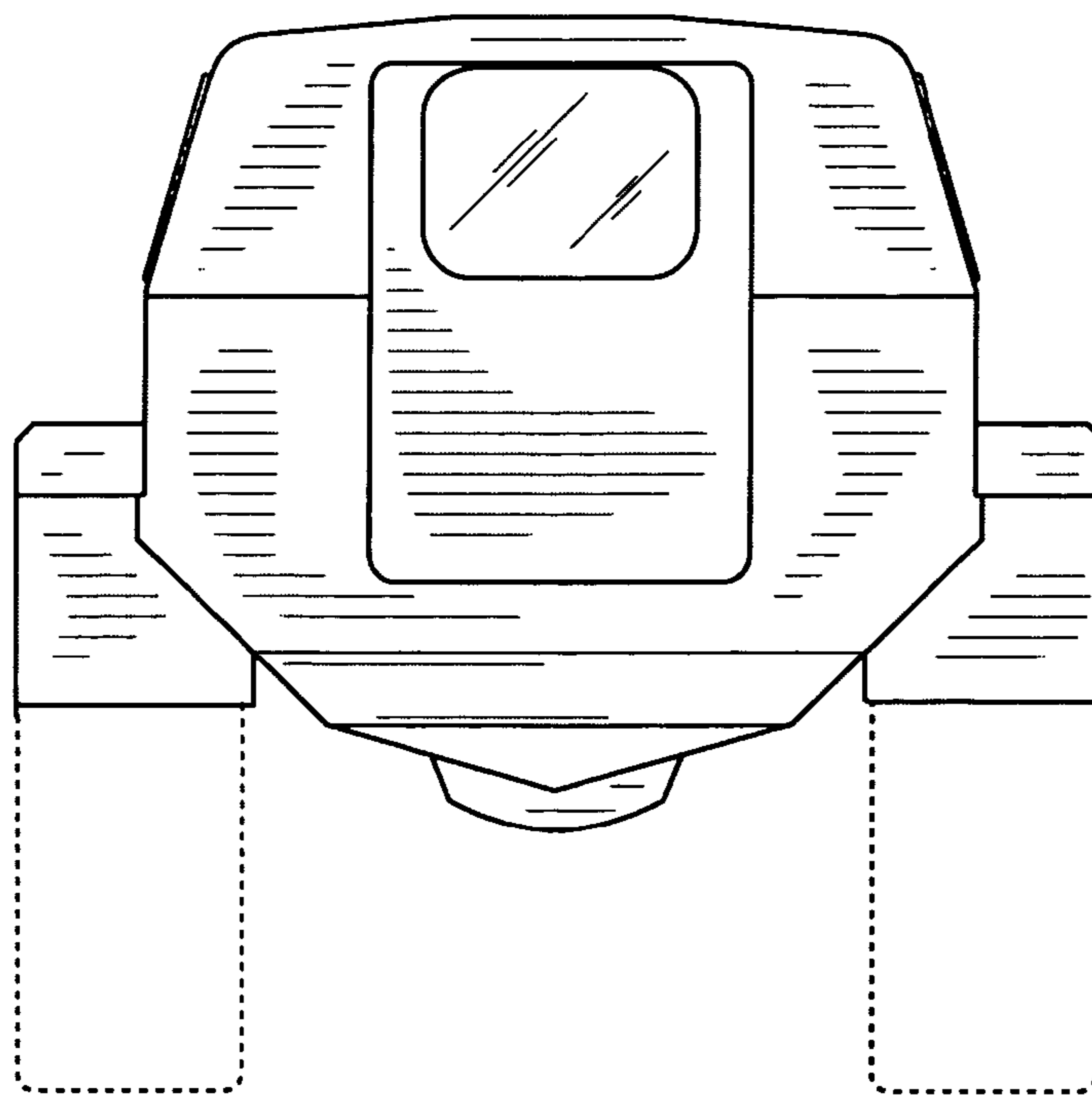


FIG. 5

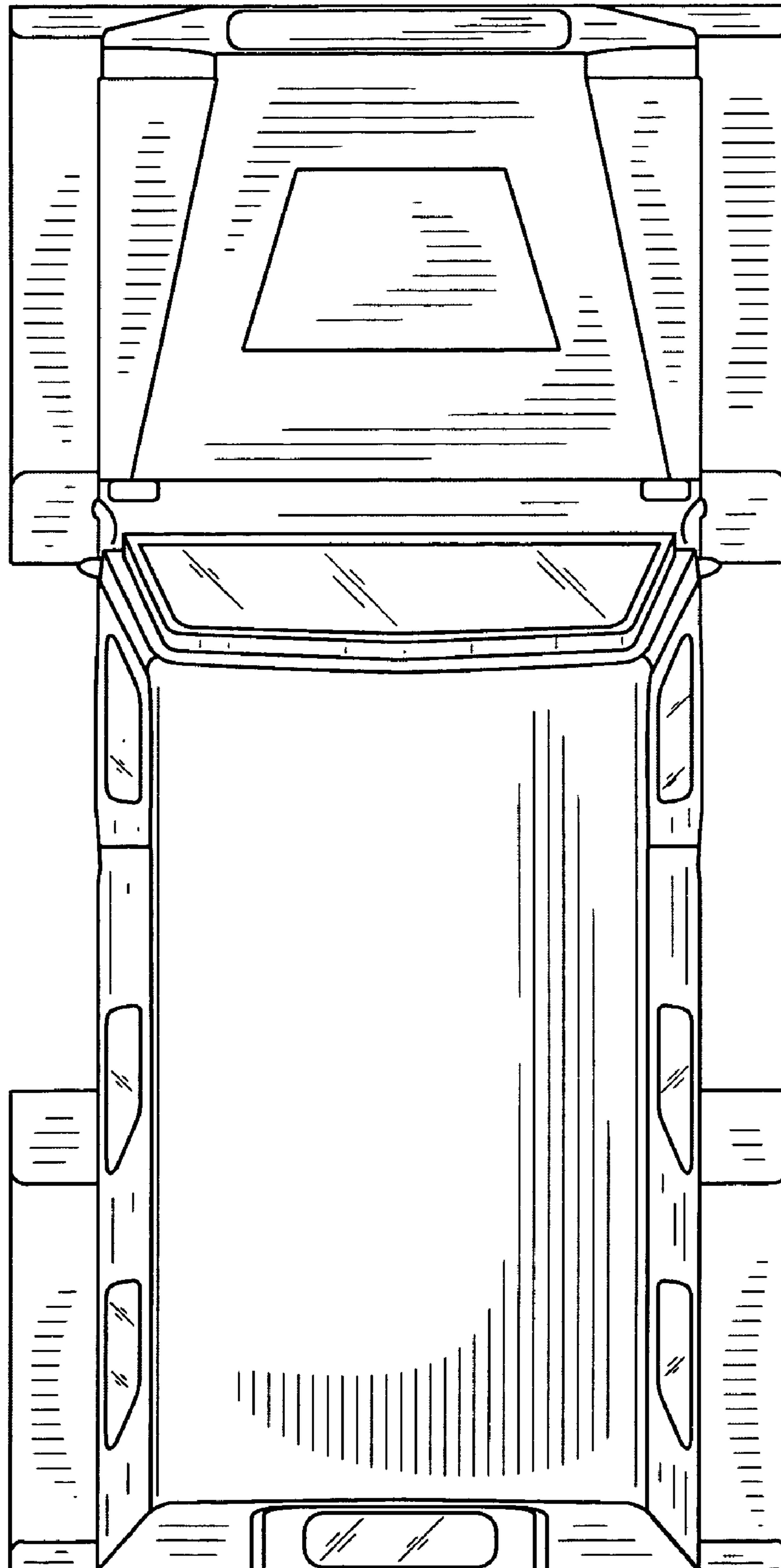


FIG. 6