



US00D548646S

(12) **United States Design Patent**  
**Green, Jr. et al.**

(10) **Patent No.:** **US D548,646 S**

(45) **Date of Patent:** **\*\* Aug. 14, 2007**

(54) **ARMORED VEHICLE OR TOY REPLICA**

(75) Inventors: **Paul C. Green, Jr.**, Mt. Pleasant, SC (US); **James A. MacDonald**, Summerville, SC (US); **Randy L. Baxley**, Ladson, SC (US); **Timothy L. Smith**, Goose Creek, SC (US)

(73) Assignee: **Force Protection Industries, Inc.**, Ladson, SC (US)

(\*\*) Term: **14 Years**

(21) Appl. No.: **29/245,736**

(22) Filed: **Dec. 29, 2005**

(51) **LOC (8) Cl.** ..... **12-13**

(52) **U.S. Cl.** ..... **D12/12**

(58) **Field of Classification Search** ..... D12/12, D12/86-89, 91, 92, 1-4, 16.1, 98-100; D21/533, D21/539, 548-552, 557-60, 579, 580-583, D21/442, 436, 447, 560, 86, 91; 180/232, 180/242, 89.12, 449; 410/57; 89/36.08, 89/36.09, 37.03, 38, 40.03, 36 F, 36 H, 4 B, 89/36.01, 36.13; 446/465, 470, 471, 487; 296/181.3, 181, 1.1, 183, 24.1, 37.6, 185, 296/186, 204, 186.1; 280/838, 839

See application file for complete search history.

(56) **References Cited**

**U.S. PATENT DOCUMENTS**

2,382,862 A \* 8/1945 Davis, Jr. .... 89/36.08

D262,099 S \* 12/1981 Harding ..... D12/12  
4,351,558 A \* 9/1982 Mueller ..... 296/203.01  
5,663,520 A \* 9/1997 Ladika et al. .... 89/36.08  
D465,435 S \* 11/2002 Legueu ..... D12/12  
D484,438 S \* 12/2003 Knoth et al. .... D12/12  
D508,441 S \* 8/2005 Moushegian et al. .... D12/98  
D513,395 S \* 1/2006 Pizzuti et al. .... D12/91

\* cited by examiner

*Primary Examiner*—Louis S. Zarfaz

*Assistant Examiner*—Anna Dworzecka

(74) *Attorney, Agent, or Firm*—Finnegan, Henderson, Farabow, Garrett & Dunner, L.L.P.

(57) **CLAIM**

The ornamental design for an armored vehicle or toy replica, as shown and described.

**DESCRIPTION**

FIG. 1 is left, front perspective view of an armored vehicle or toy replica of our new design;

FIG. 2 is a right, side view thereof;

FIG. 3 is a left, side thereof;

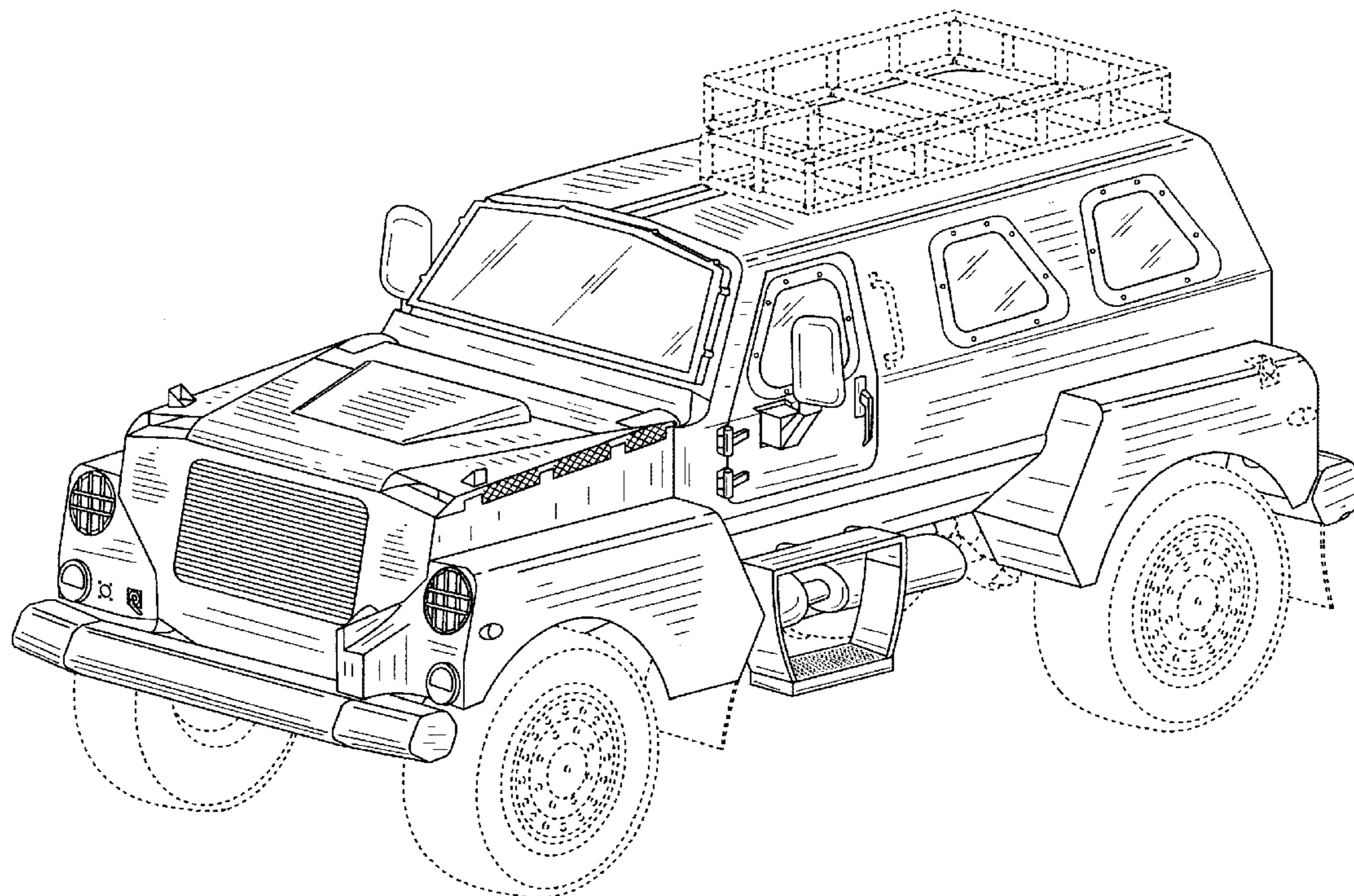
FIG. 4 is a front view thereof;

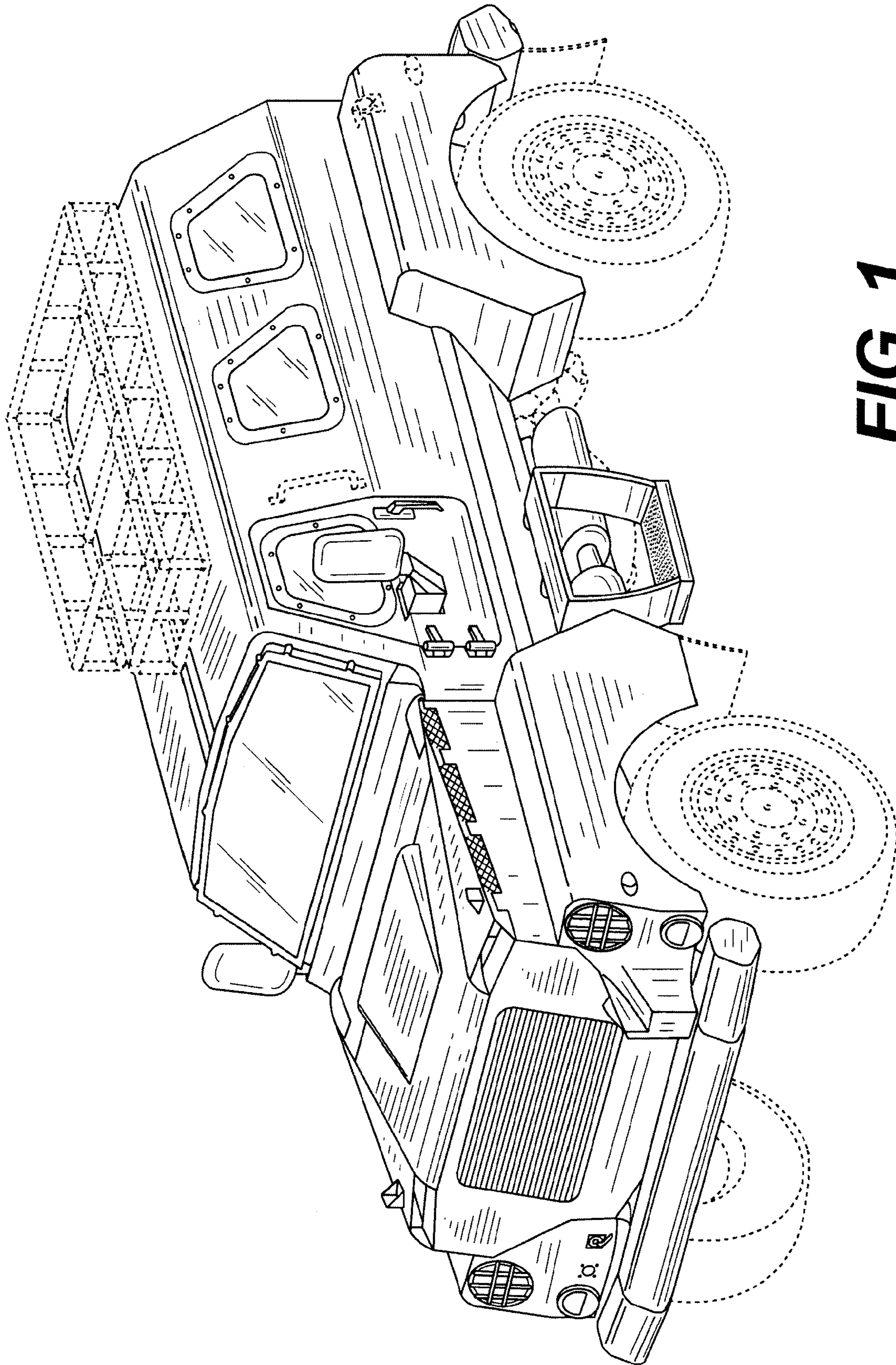
FIG. 5 is a rear view thereof; and,

FIG. 6 is a top plan view thereof.

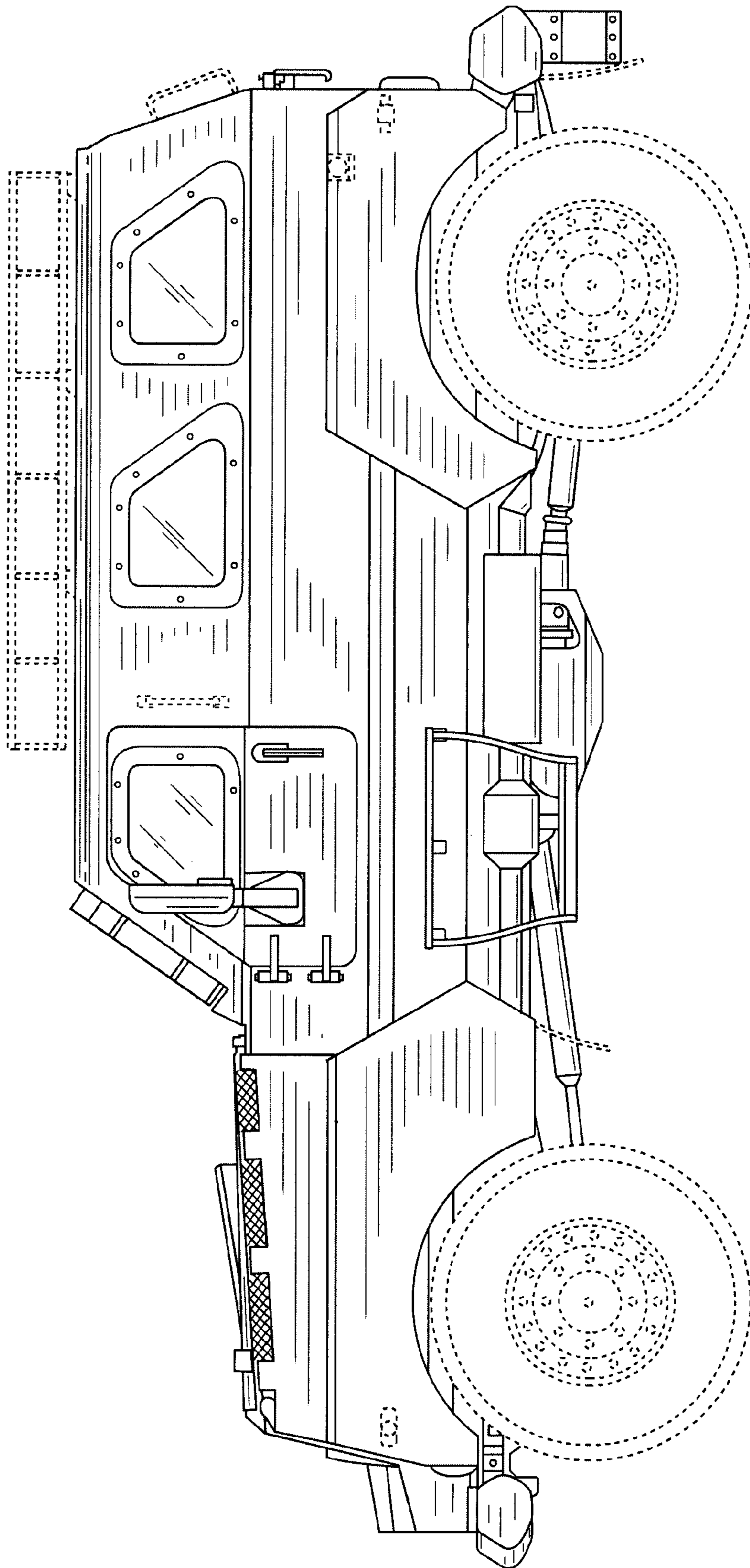
The broken lines are for the purpose of illustration only and form no part of the claimed design.

**1 Claim, 6 Drawing Sheets**

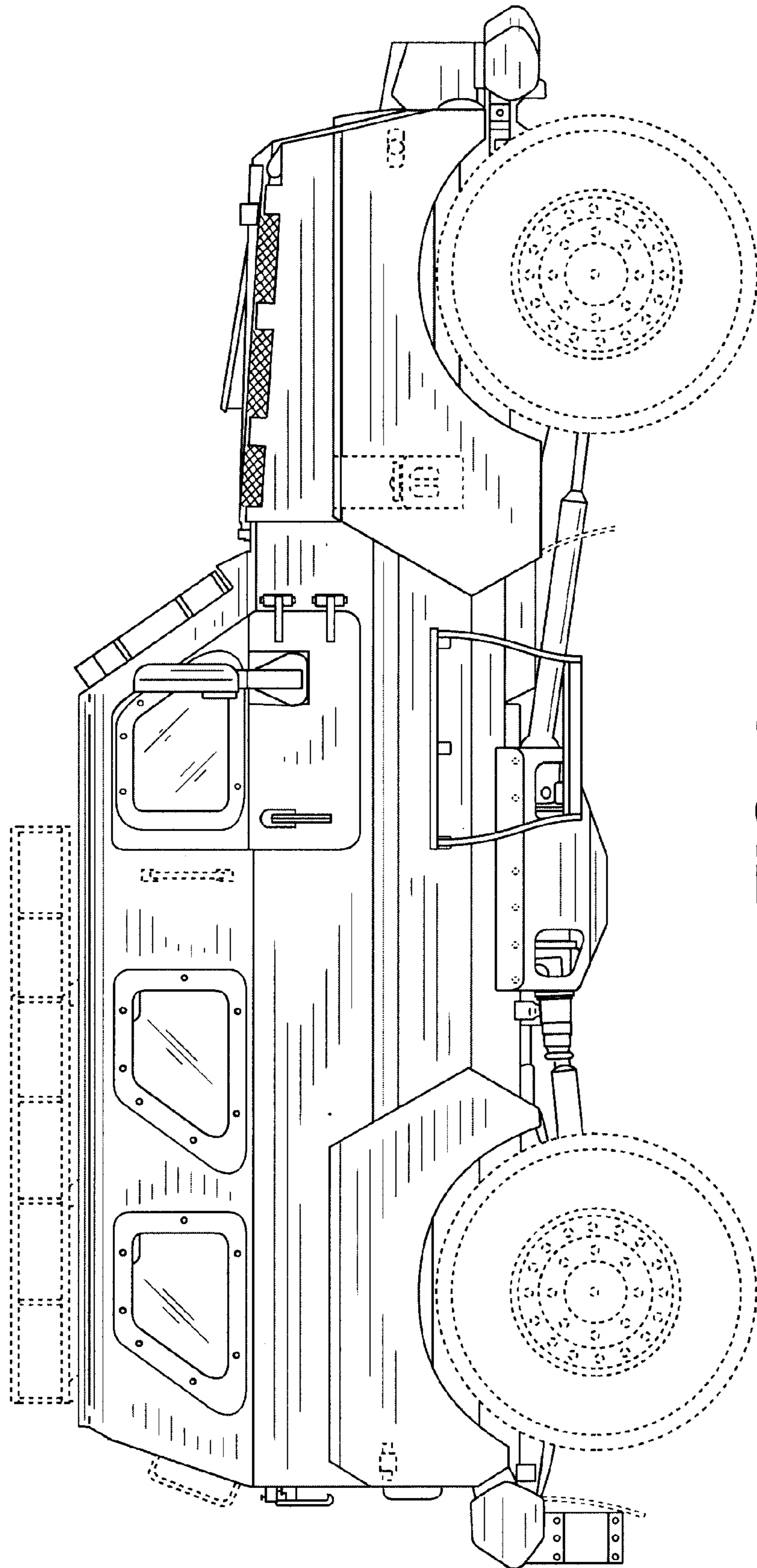




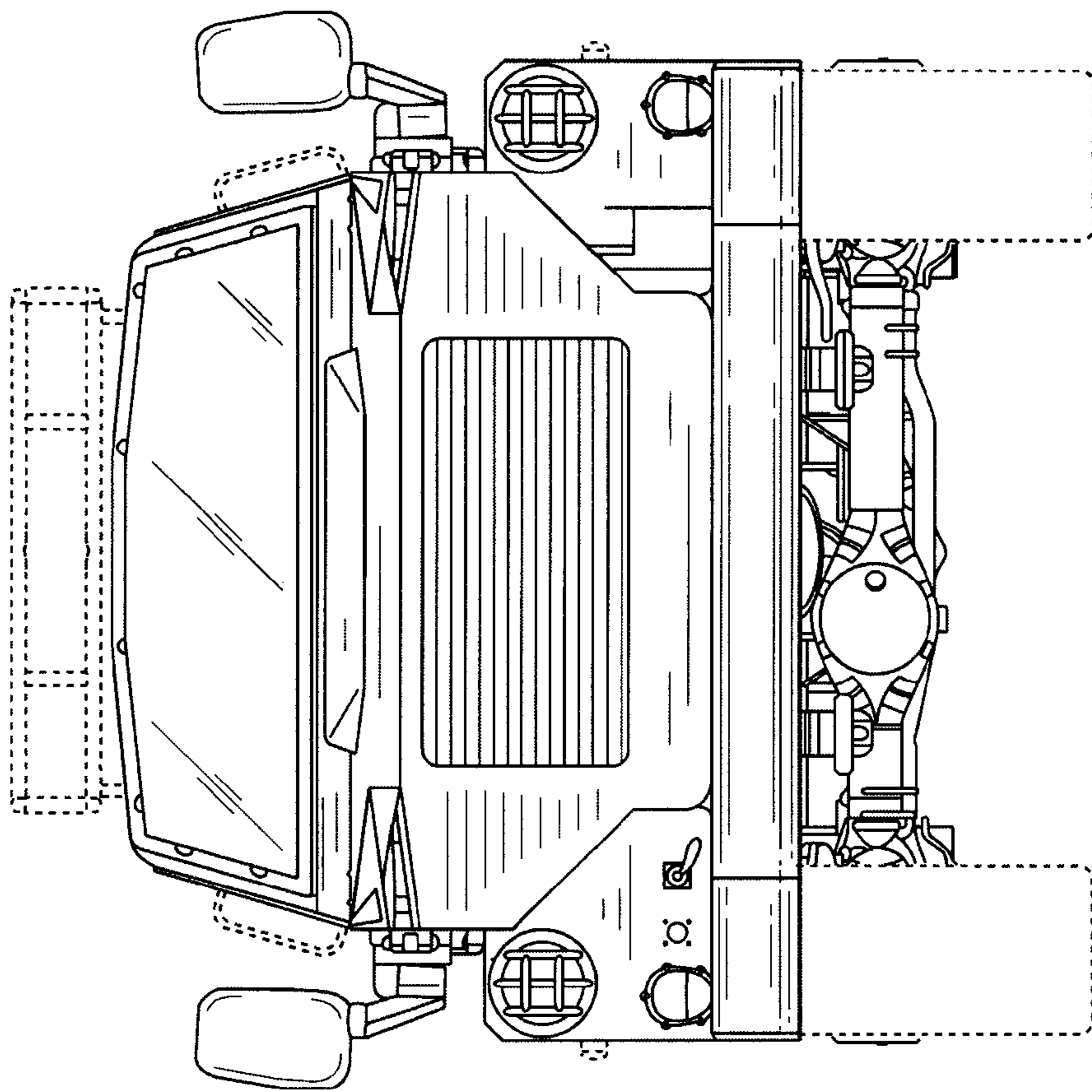
**FIG. 1**



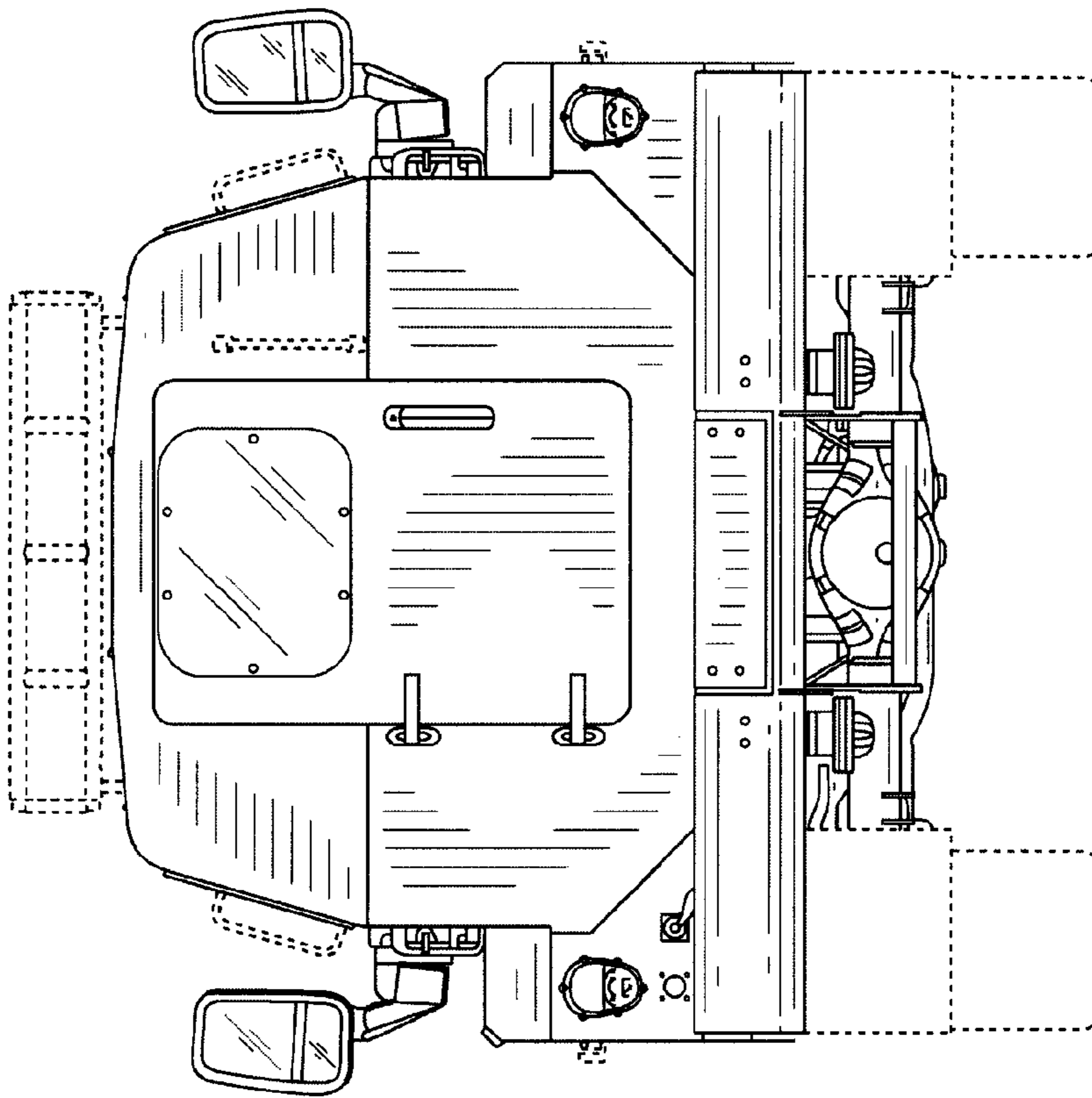
**FIG. 2**



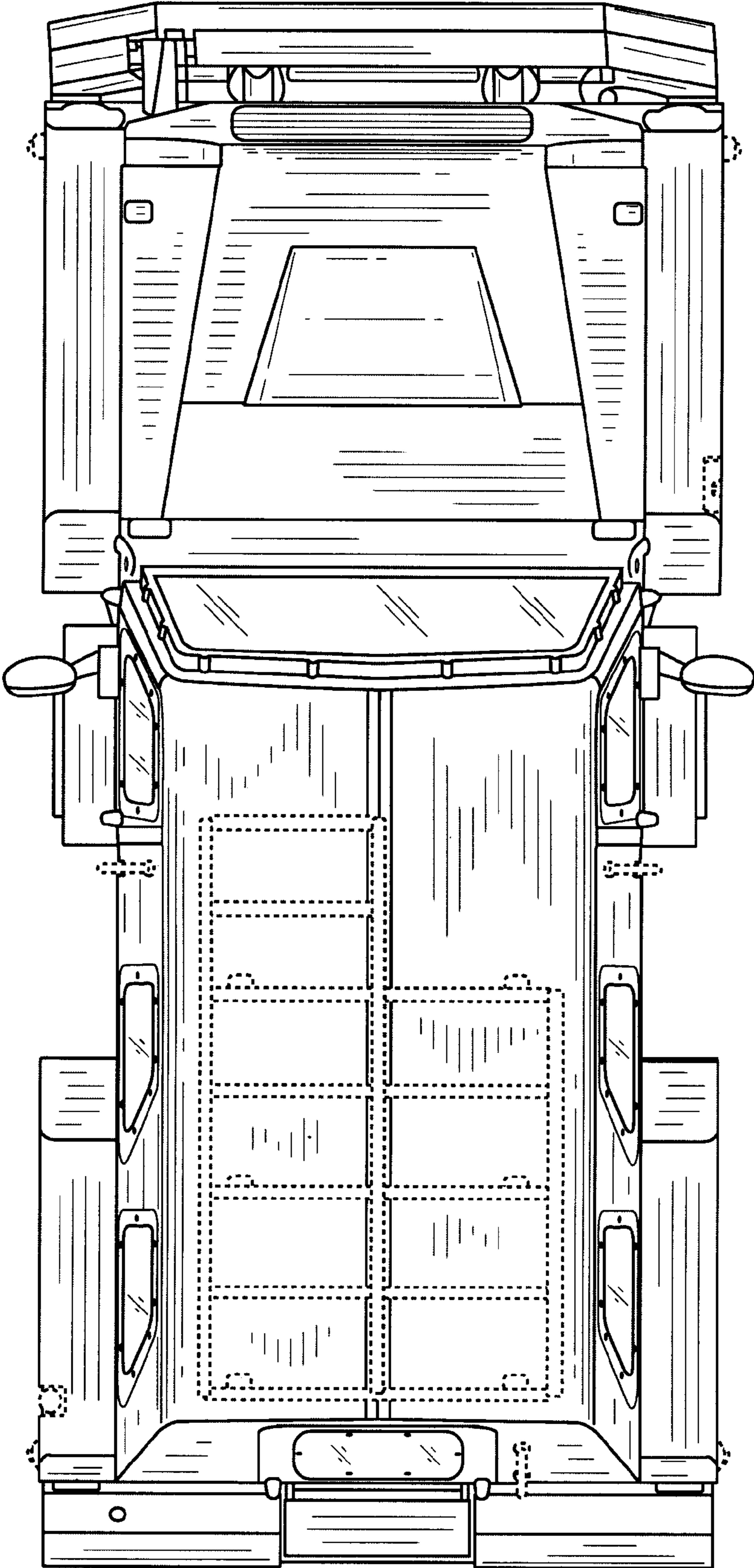
**FIG. 3**



**FIG. 4**



**FIG. 5**



**FIG. 6**