

US00D548645S

(12) **United States Design Patent**  
**Curthelet**

(10) **Patent No.:** **US D548,645 S**

(45) **Date of Patent:** **\*\* Aug. 14, 2007**

(54) **SNOWMOBILE FRONT FAIRING**

(75) Inventor: **Alexandre Curthelet**, Granby (CA)

(73) Assignee: **Bombardier Recreational Products Inc.**, Valcourt (CA)

(\*\*) Term: **14 Years**

(21) Appl. No.: **29/243,219**

(22) Filed: **Nov. 22, 2005**

(51) **LOC (8) Cl.** ..... **12-14**

(52) **U.S. Cl.** ..... **D12/7**

(58) **Field of Classification Search** ..... D12/7,  
D12/307, 400, 110, 111, 9, 112, 167, 171,  
D12/169, 196, 190, 90-92, 86, 85, 88; 280/645;  
D21/533; 180/182-86, 190  
See application file for complete search history.

(56) **References Cited**

**U.S. PATENT DOCUMENTS**

D465,752 S \* 11/2002 Kalhok et al. .... D12/114

D477,248 S \* 7/2003 Cadotte et al. .... D12/7

D494,503 S \* 8/2004 Sanschagrín et al. .... D12/7

D515,457 S \* 2/2006 Deluy ..... D12/7

\* cited by examiner

*Primary Examiner*—Louis S. Zarfás

*Assistant Examiner*—Anna Dworzecka

(74) *Attorney, Agent, or Firm*—Osler, Hoskin & Harcourt LLP

(57) **CLAIM**

The ornamental design for a snowmobile front fairing, as shown and described.

**DESCRIPTION**

FIG. 1 is a front, perspective view of the snowmobile front fairing according to my design;

FIG. 2 is a front elevation view thereof;

FIG. 3 is a left side elevation view thereof;

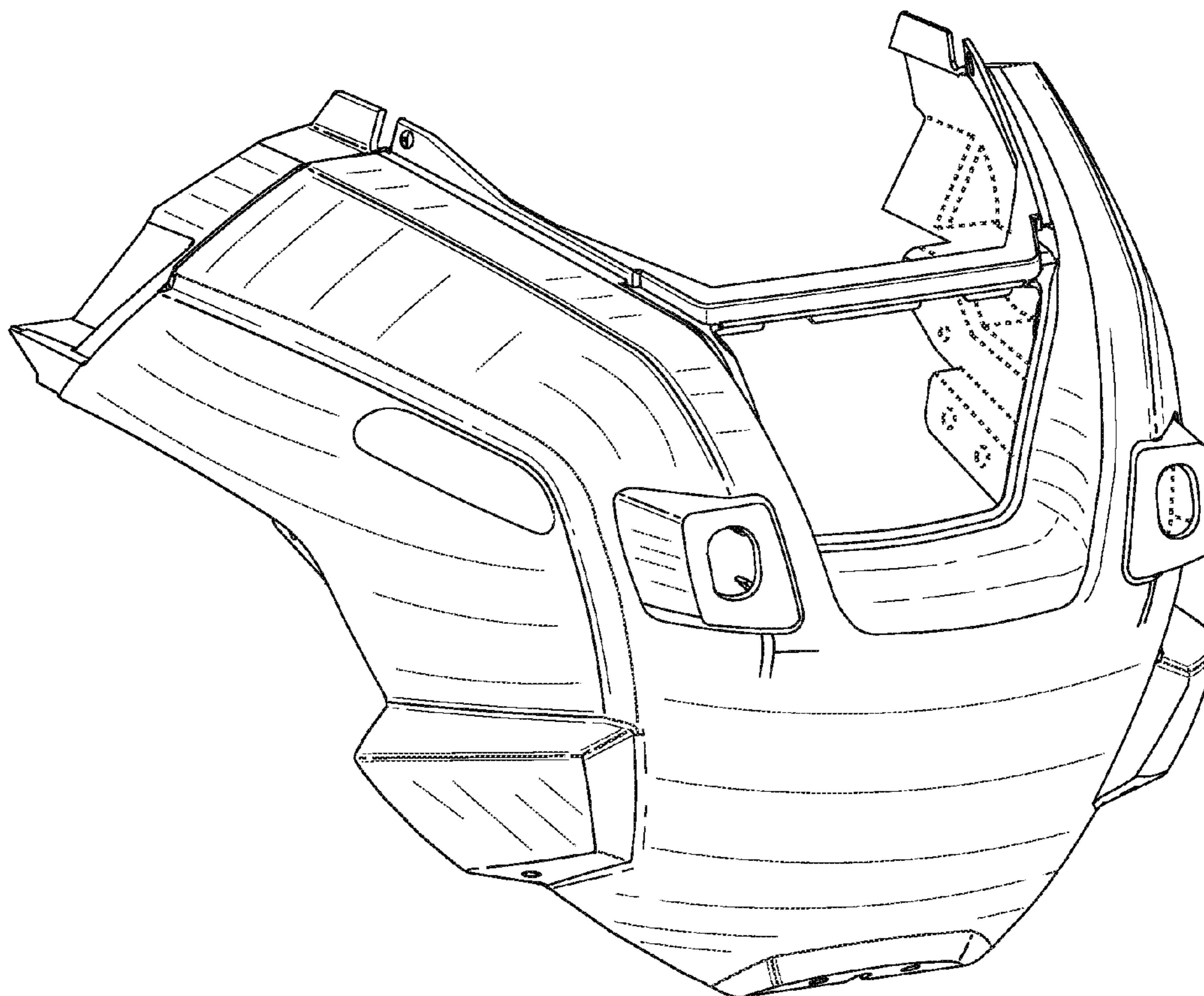
FIG. 4 is a right side elevation view thereof;

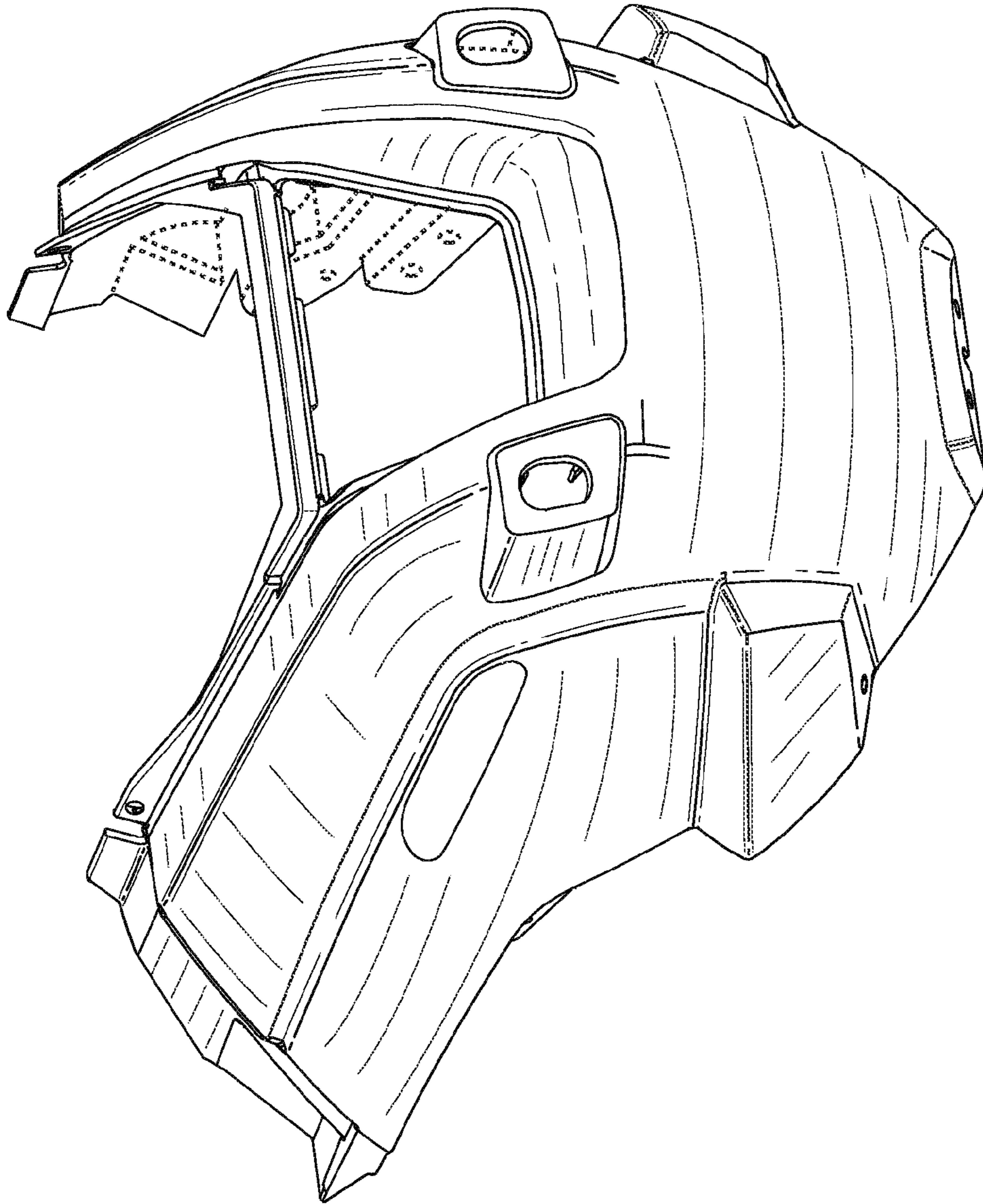
FIG. 5 is a top plan view thereof; and,

FIG. 6 is a bottom plan view thereof.

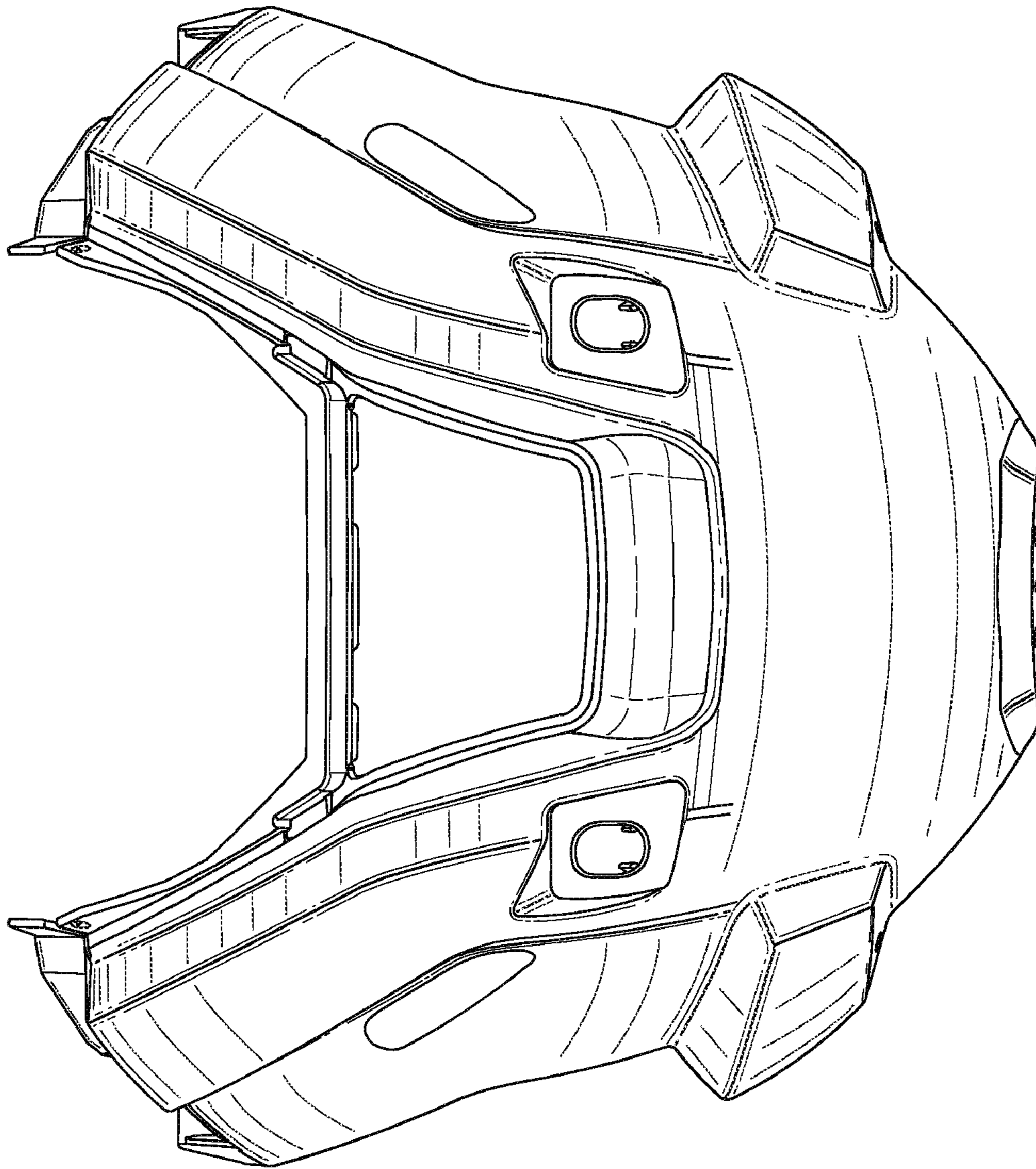
In each of FIGS. 1-6, the broken lines showing structure are for illustrative purposes only and form no part of the claimed design.

**1 Claim, 6 Drawing Sheets**



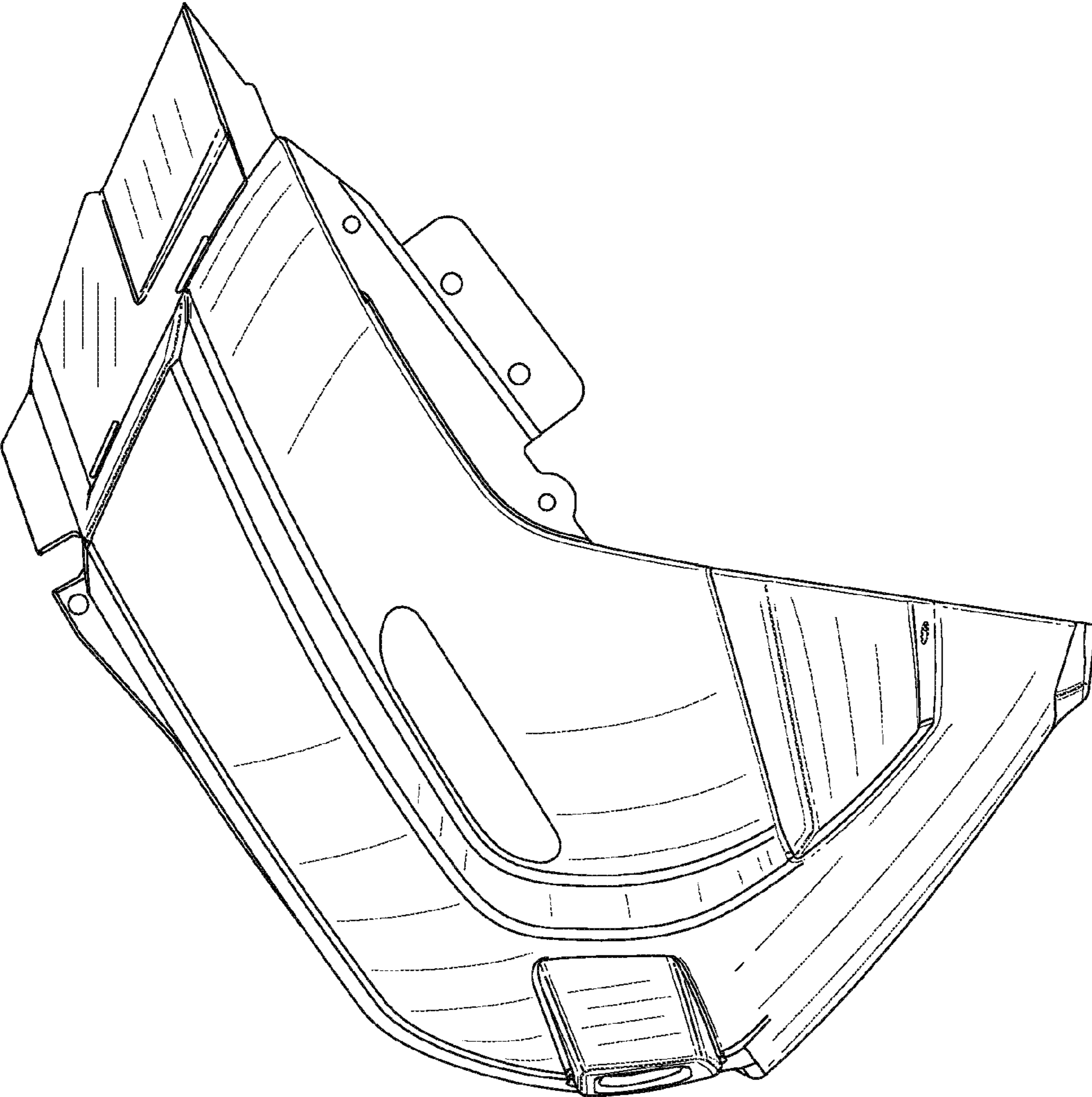


**FIG. 1**

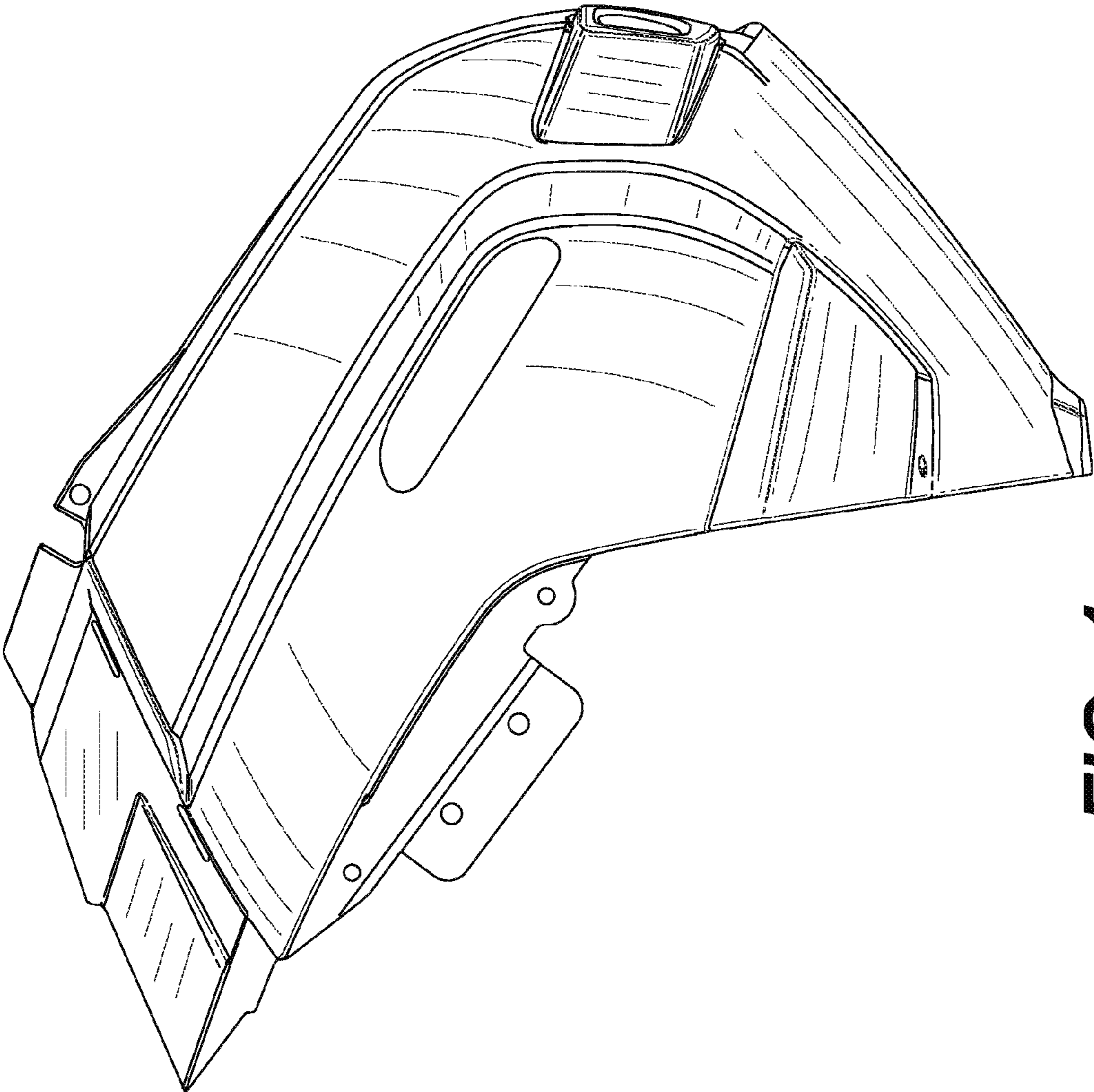


**FIG. 2**

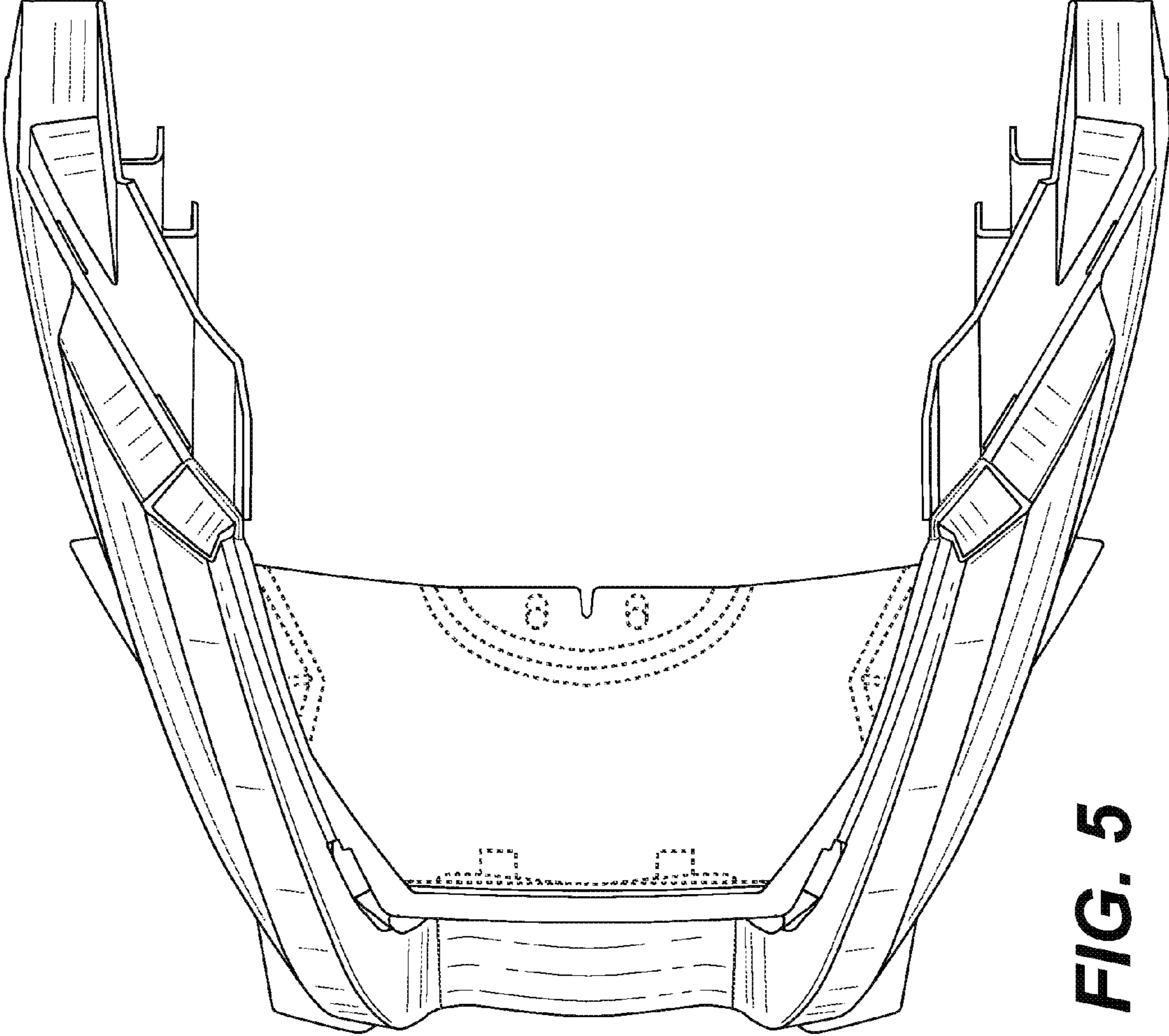




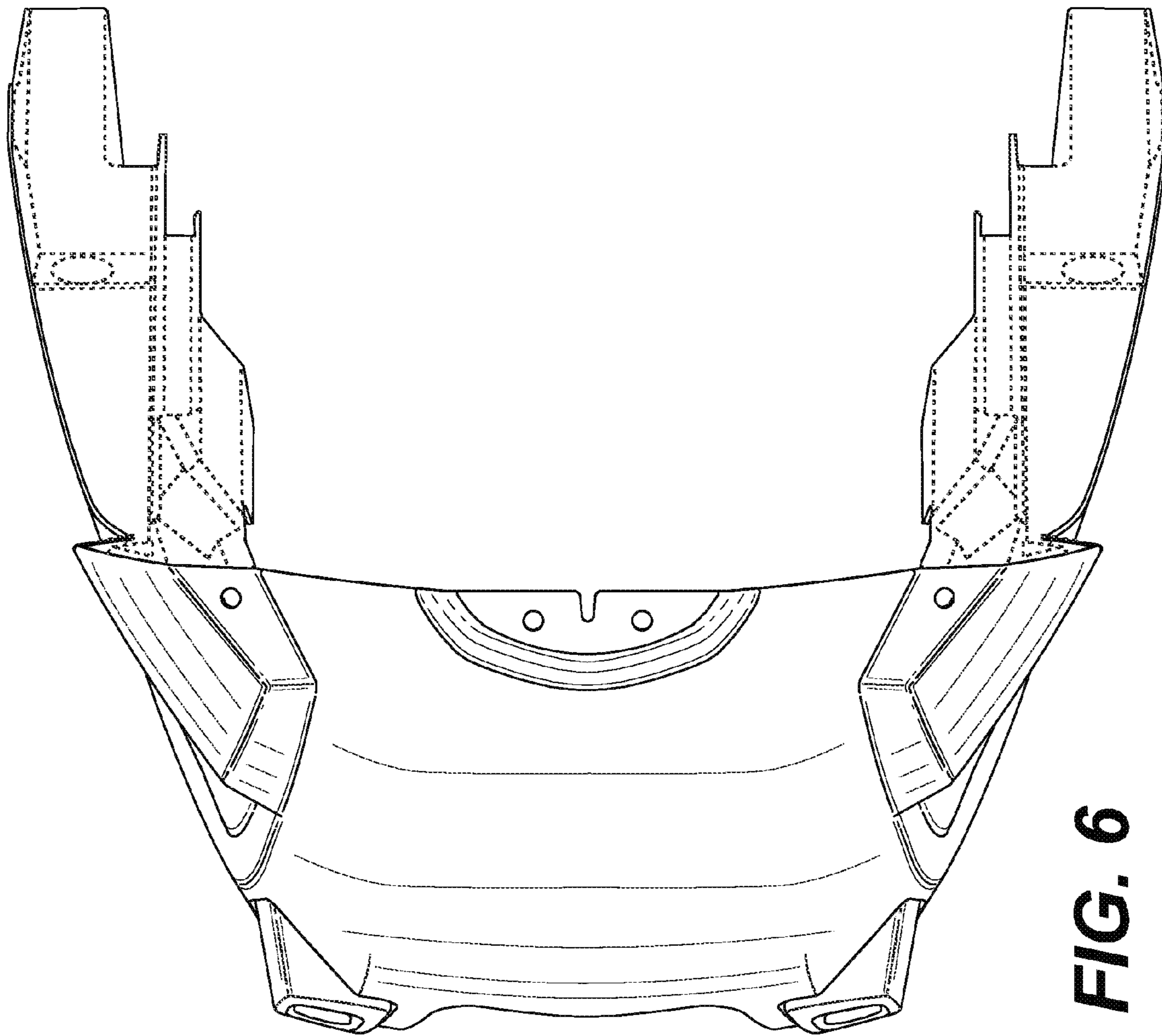
**FIG. 3**



**FIG. 4**



**FIG. 5**



**FIG. 6**