



US00D548634S

(12) **United States Design Patent** (10) **Patent No.:** **US D548,634 S**
Benning et al. (45) **Date of Patent:** **** Aug. 14, 2007**

(54) **TOTAL AIR TEMPERATURE PROBE**

OTHER PUBLICATIONS

(75) Inventors: **Kevin J. Benning**, Lakeville, MN (US);
Fred A. Steffen, Shakopee, MN (US);
Charles R. Willcox, Eden Prairie, MN
(US); **Paul A. Ice**, Apple Valley, MN
(US)

Stickney, T. M., "Total Temperature Sensors, Technical Report
5755, Revision C", Rosemount Aerospace/BFGoodrich, Jan. 1994.

Primary Examiner—Antoine D. Davis
(74) *Attorney, Agent, or Firm*—John D. Veldhuis-Kroeze;
Westman, Champlin & Kelly, P.A.

(73) Assignee: **Rosemount Aerospace Inc.**, Burnsville,
MN (US)

(57) **CLAIM**

(**) Term: **14 Years**

The ornamental design for a total air temperature probe, as
shown and described.

(21) Appl. No.: **29/238,690**

DESCRIPTION

(22) Filed: **Sep. 20, 2005**

(51) **LOC (8) Cl.** **10-04**

FIG. 1 is a perspective view as seen from the front, side and
top of a first embodiment of a total air temperature probe of
the present invention;

(52) **U.S. Cl.** **D10/96**

FIG. 2 is a top plan view of the total air temperature probe
of FIG. 1;

(58) **Field of Classification Search** D10/96;
73/861.65, 861.66, 861.67, 861.68; 374/139,
374/135, 148

FIG. 3 is a bottom plan view of the total air temperature
probe of FIG. 1;

See application file for complete search history.

FIG. 4 is a front elevational view of the total air temperature
probe of FIG. 1;

(56) **References Cited**

U.S. PATENT DOCUMENTS

2,970,475 A	2/1961	Werner	73/339
3,167,960 A	2/1965	Miesiak	374/138
3,368,406 A	2/1968	Hinnebaugh	374/138
3,512,414 A	5/1970	Rees	374/138
4,036,054 A	7/1977	Goulet	73/861.66
4,047,379 A	9/1977	Brookes et al.	374/135

FIG. 5 is a rear elevational view of the total air temperature
probe of FIG. 1;

FIG. 6 is a right side view of the total air temperature probe
of FIG. 1; and,

FIG. 7 is a left side view of the total air temperature probe
of FIG. 1.

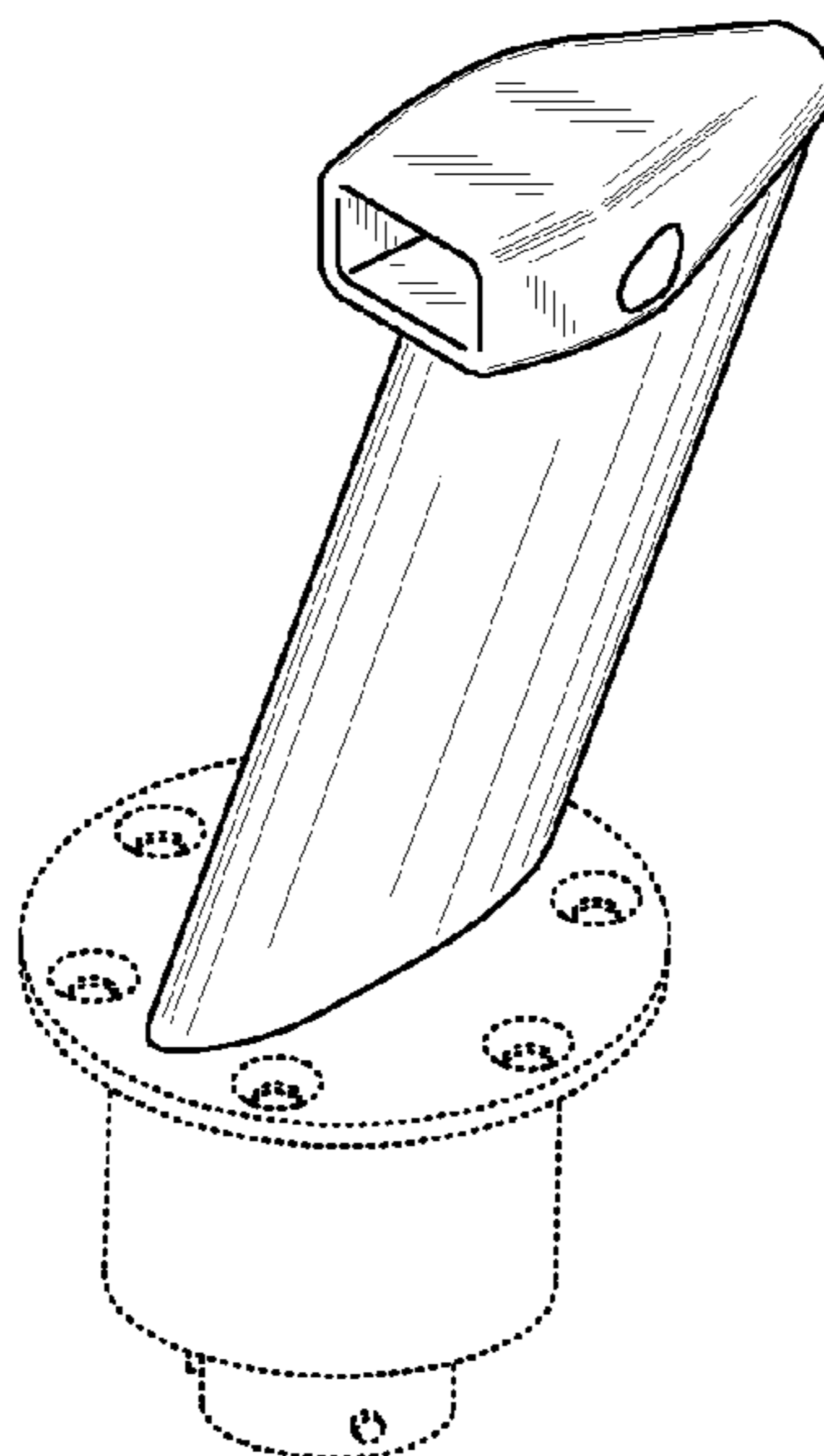
(Continued)

FOREIGN PATENT DOCUMENTS

FR	2 808 874	5/2000
WO	WO 94/02814	2/1994
WO	WO 01/44821	6/2001

The broken line showing of a flange and attached electronic
housing are included for the purpose of illustrating non-
claimed subject matter and forms no part of the claimed
design.

1 Claim, 4 Drawing Sheets



US D548,634 S

Page 2

U.S. PATENT DOCUMENTS

4,206,645 A	6/1980	Orcutt	374/138	5,731,507 A	3/1998	Hagen et al.	73/861.68
4,403,872 A	9/1983	DeLeo	374/138	6,070,475 A	6/2000	Muehlhauser et al. ...	73/861.68
4,458,137 A	7/1984	Kirkpatrick	219/201	6,076,963 A	6/2000	Menzies et al.	374/138
4,821,566 A	4/1989	Johnston et al.	374/138	6,609,825 B2	8/2003	Ice et al.	374/138
5,043,558 A *	8/1991	Byles	73/861.68	6,622,556 B1	9/2003	May	374/135
5,302,026 A	4/1994	Phillips	374/135	6,651,515 B2	11/2003	Bernard	73/861.65
5,466,067 A	11/1995	Hagen et al.	374/138	D497,114 S	10/2004	Willcox	D10/96
5,628,565 A	5/1997	Hagen et al.	374/143	6,840,672 B2	1/2005	Ice et al.	374/139

* cited by examiner

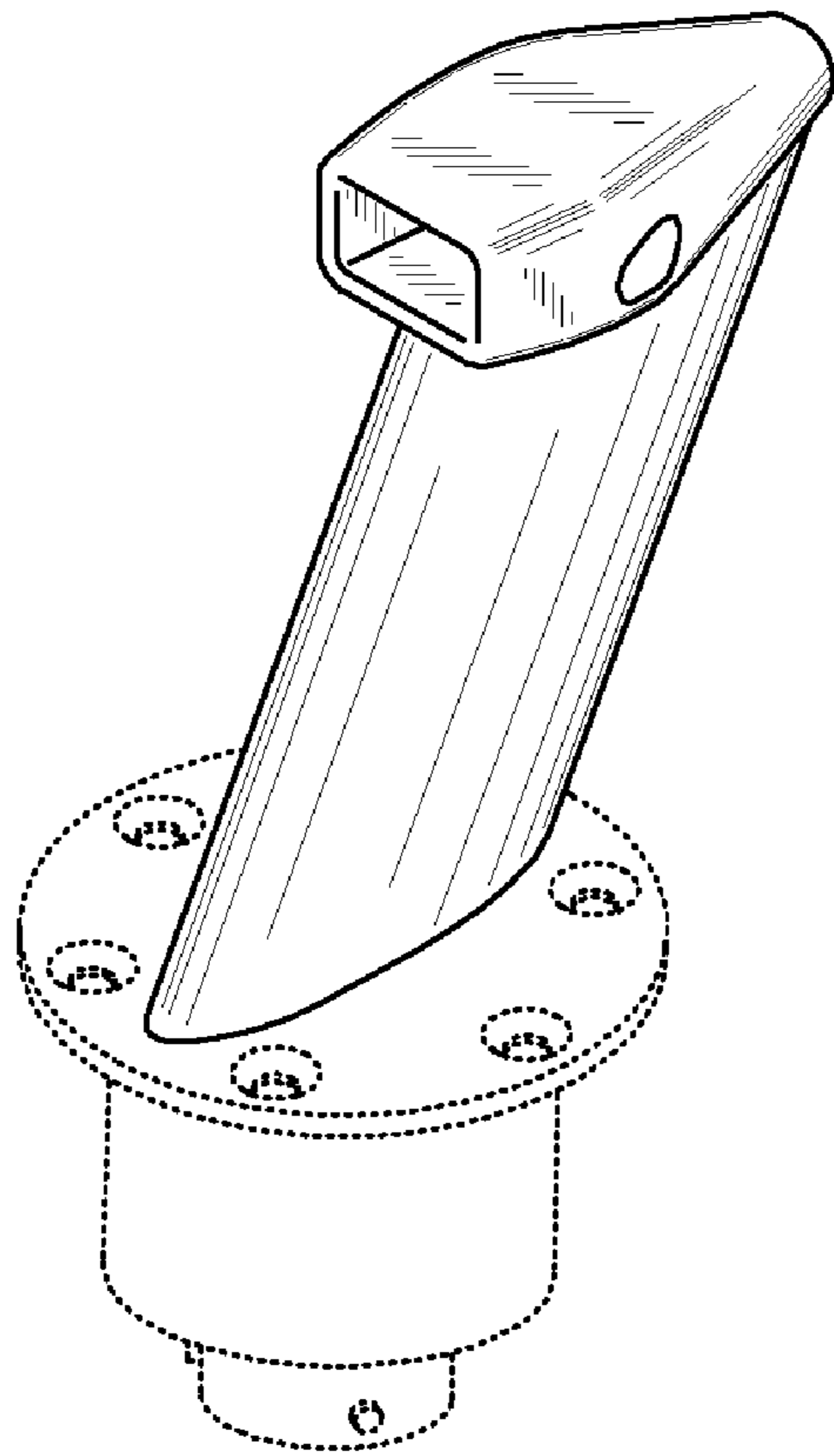


FIG. 1

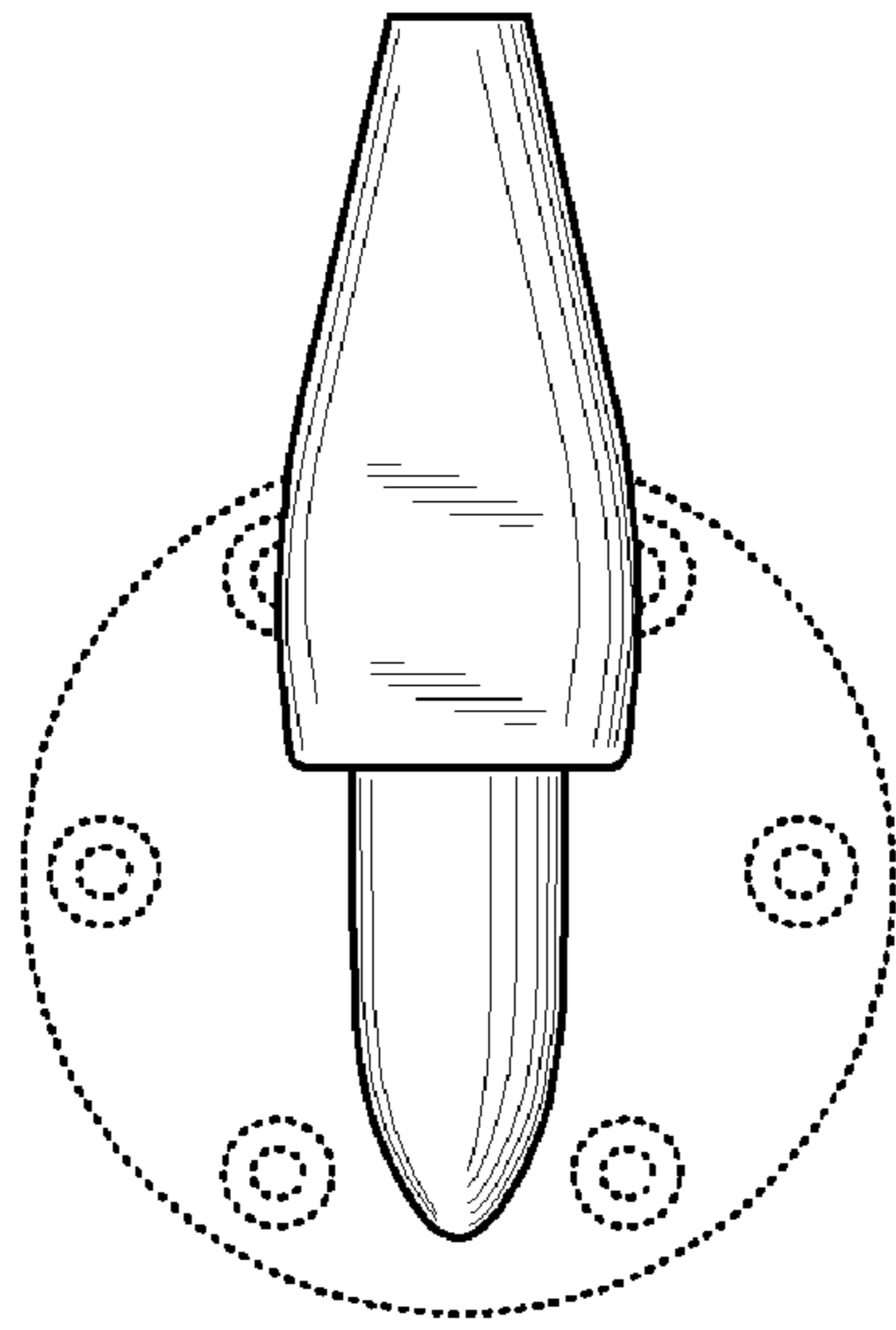


FIG. 2

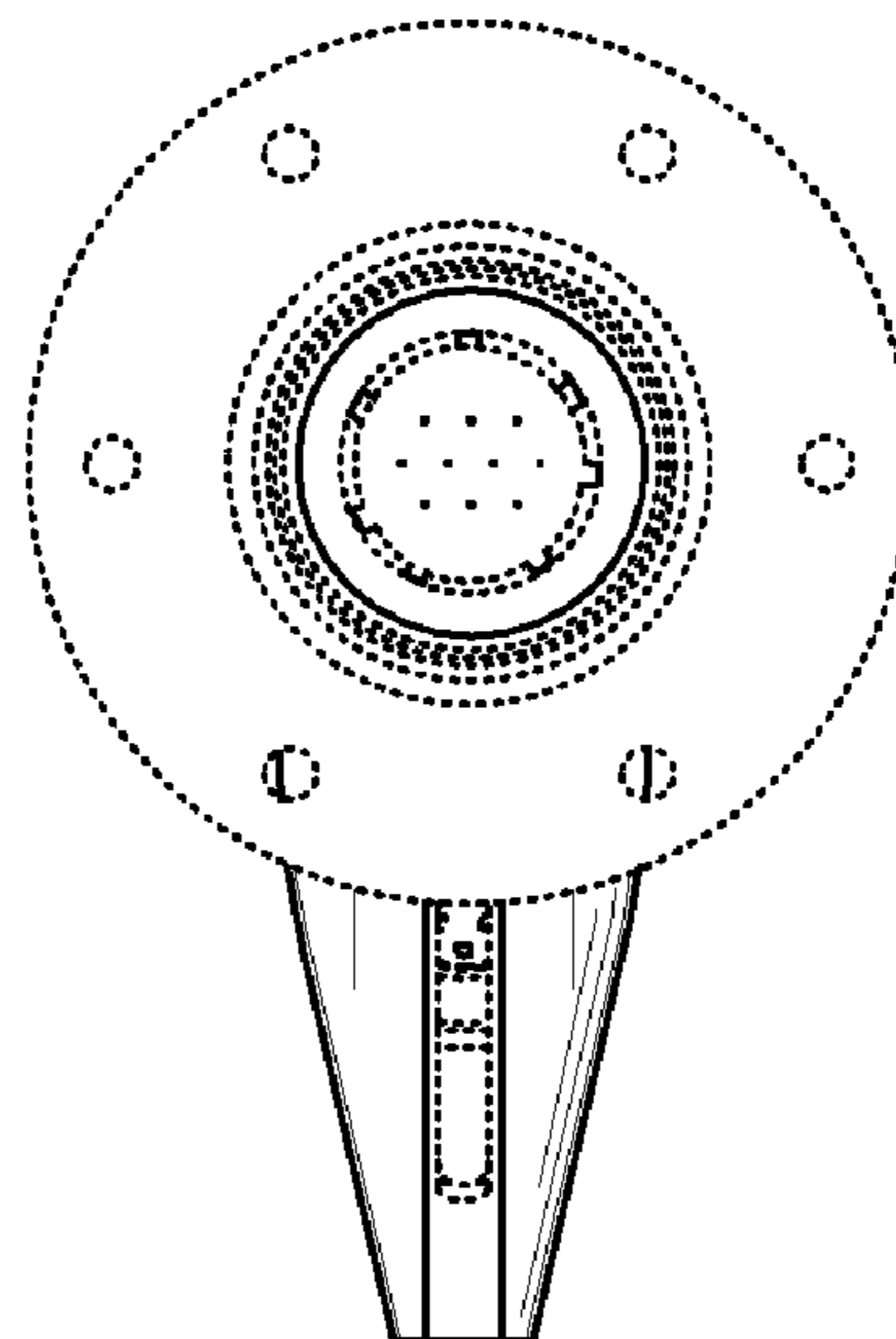


FIG. 3

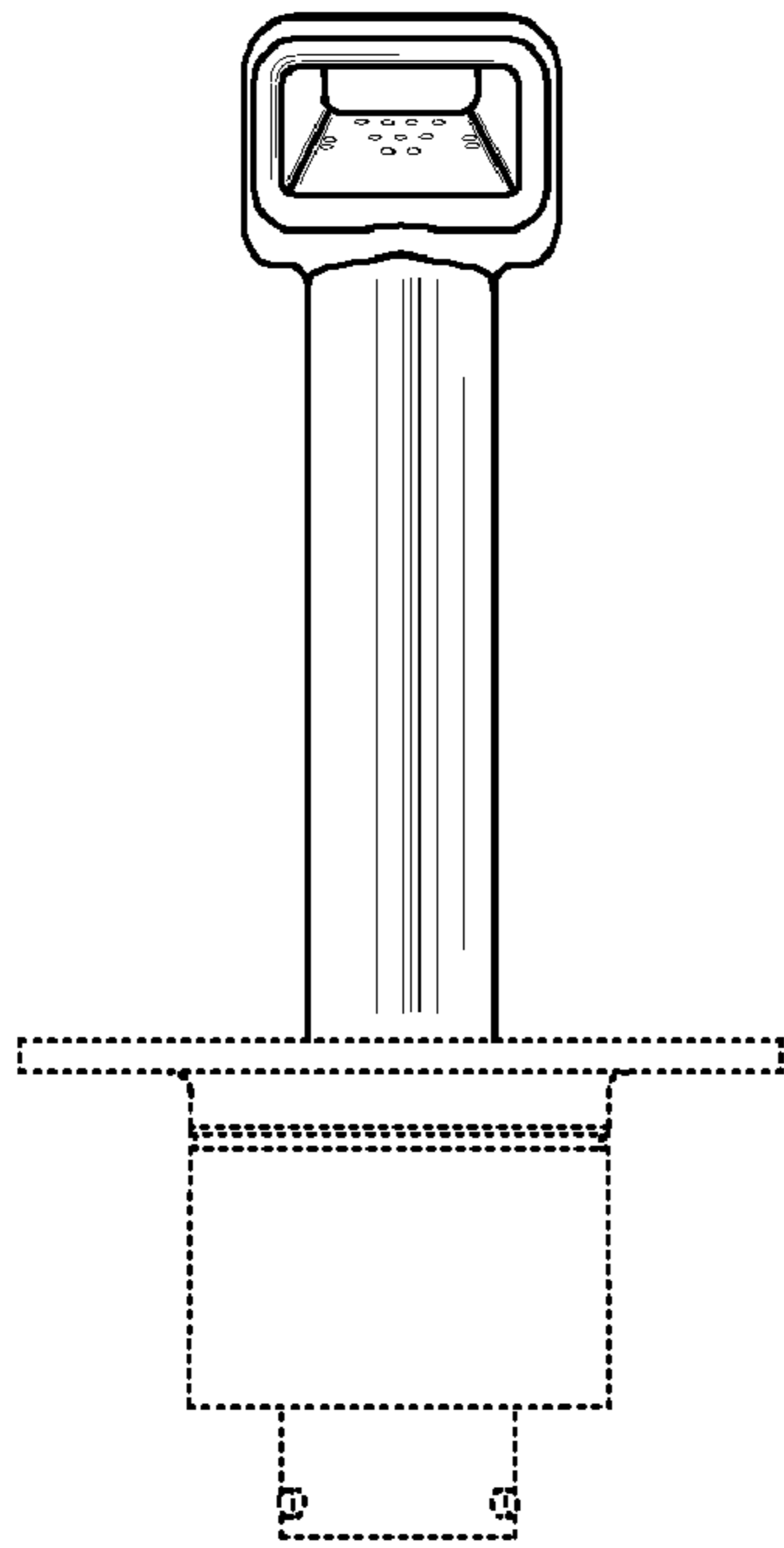
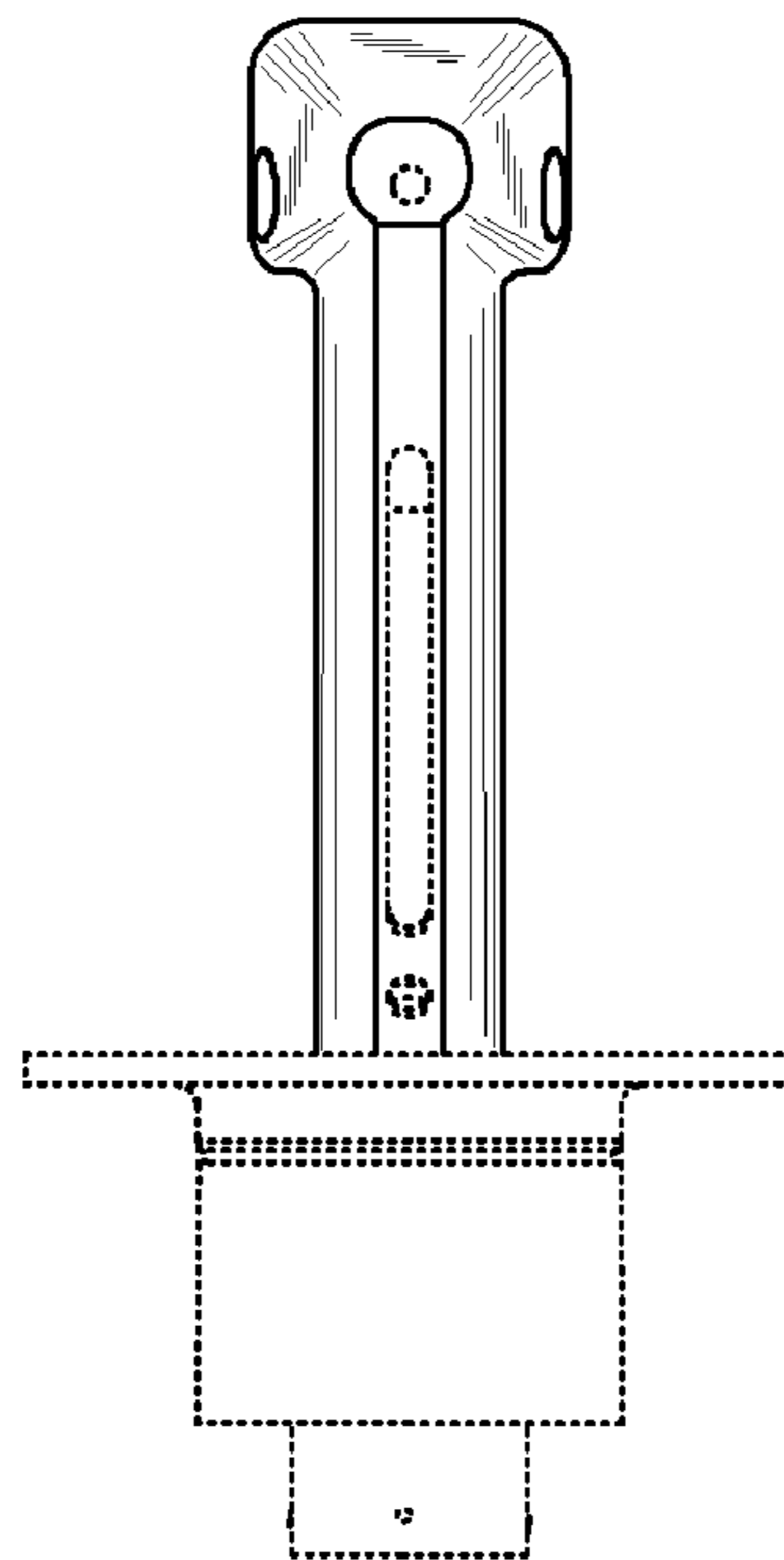


FIG. 4

FIG. 5



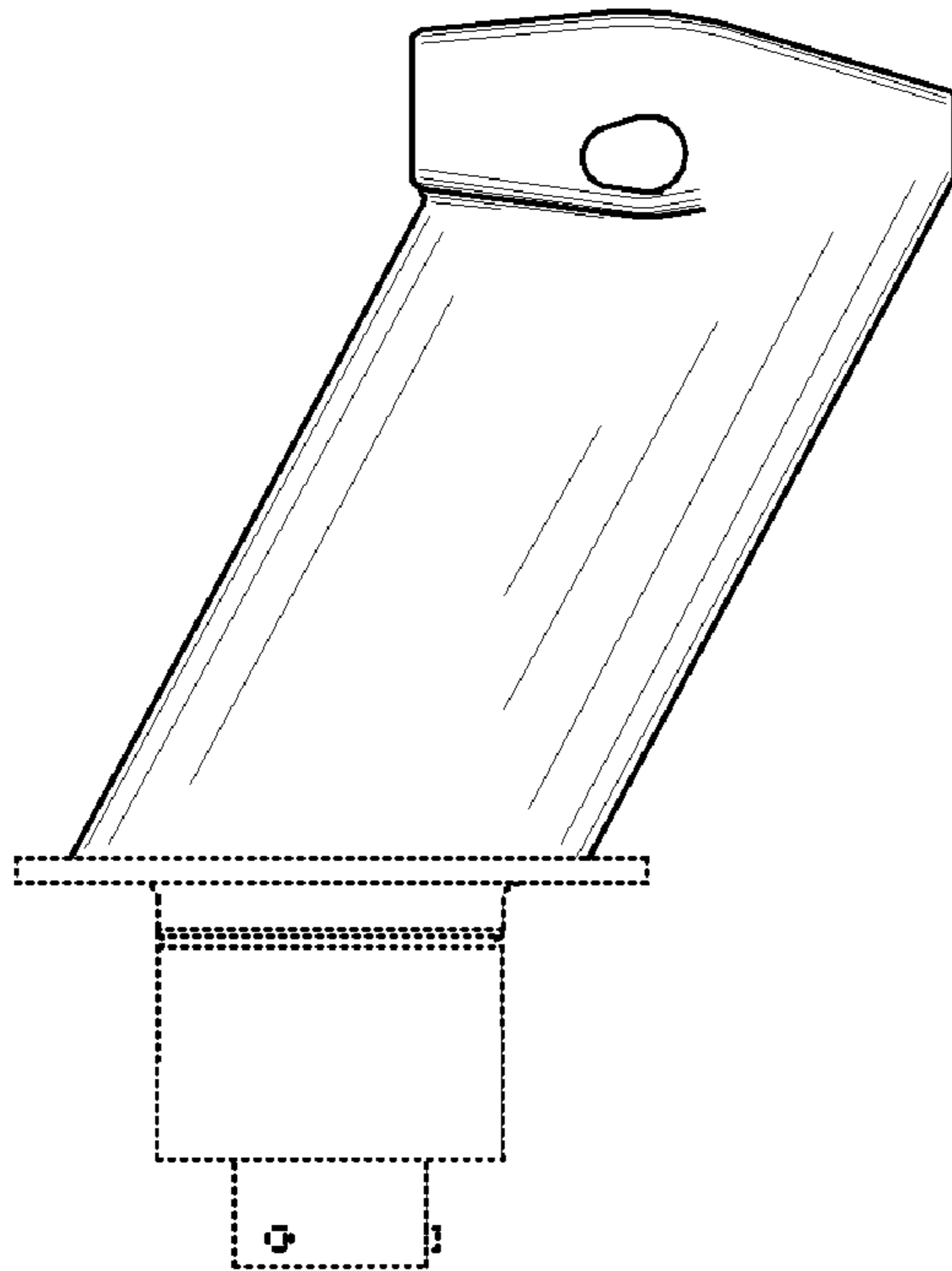


FIG. 6

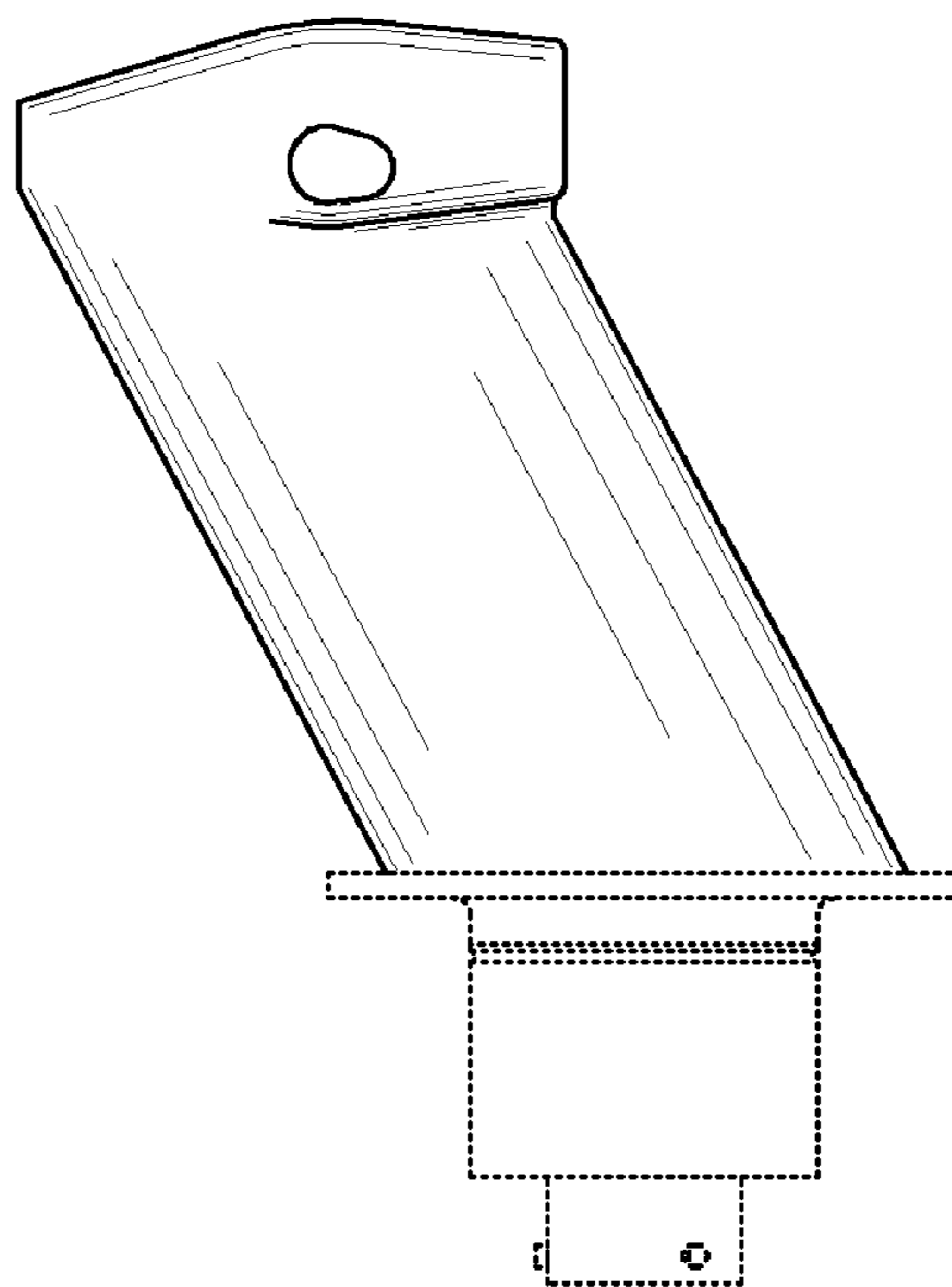


FIG. 7