

US00D548632S

(12) **United States Design Patent**
Picaza Ibarrodo

(10) **Patent No.:** **US D548,632 S**

(45) **Date of Patent:** **** Aug. 14, 2007**

(54) **TEST PUMP**

5,640,096 A * 6/1997 Alm 324/559

(75) Inventor: **Jose Ignacio Picaza Ibarrodo**,
Vizcaya (ES)

* cited by examiner

(73) Assignee: **Rothenberger, S.A.**, Abadiano
(Vizcaya) (ES)

Primary Examiner—Antoine D. Davis

(74) *Attorney, Agent, or Firm*—Lucas & Mercanti, LLP

(**) Term: **14 Years**

(57) **CLAIM**

(21) Appl. No.: **29/247,499**

The ornamental design for a test pump, substantially as shown and described.

(22) Filed: **Jun. 22, 2006**

DESCRIPTION

(51) **LOC (8) Cl.** **10-04**

(52) **U.S. Cl.** **D10/85**

(58) **Field of Classification Search** D10/46,
D10/85; D15/7; D23/231, 232; 417/359,
417/234, 321, 415–416, 410.3, 265, 405;
73/49.7; 324/559

See application file for complete search history.

FIG. 1 is a perspective view of my test pump design.

FIG. 2 is a left-side view of my test pump design;

FIG. 3 is a top view of my test pump design;

FIG. 4 is a back view of my test pump design;

FIG. 5 is a right-side view of my test pump design;

FIG. 6 is a bottom view of my test pump design; and,

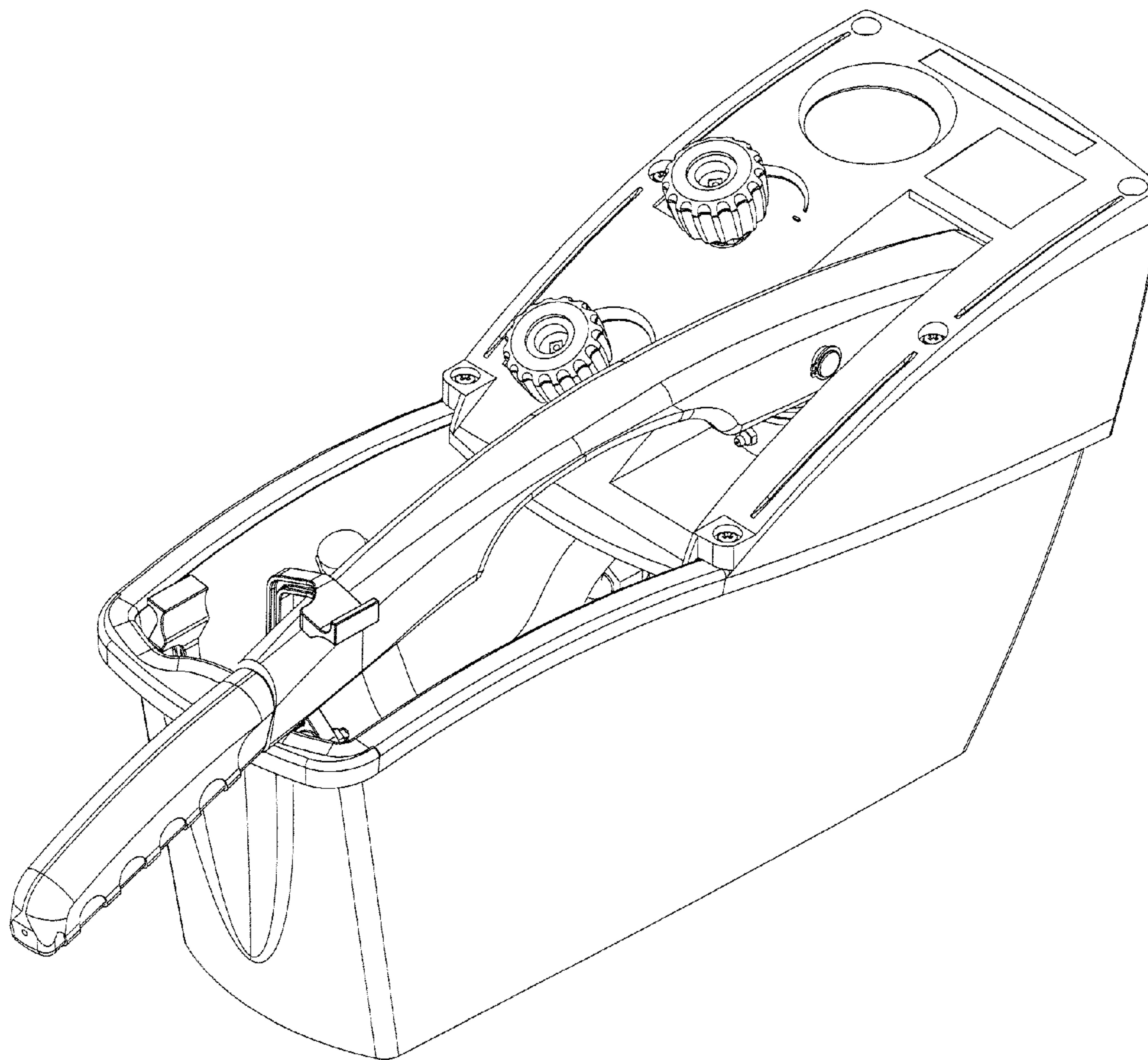
FIG. 7 is a front view of my test pump design.

(56) **References Cited**

U.S. PATENT DOCUMENTS

3,650,147 A * 3/1972 Moyer 73/49.7

1 Claim, 7 Drawing Sheets



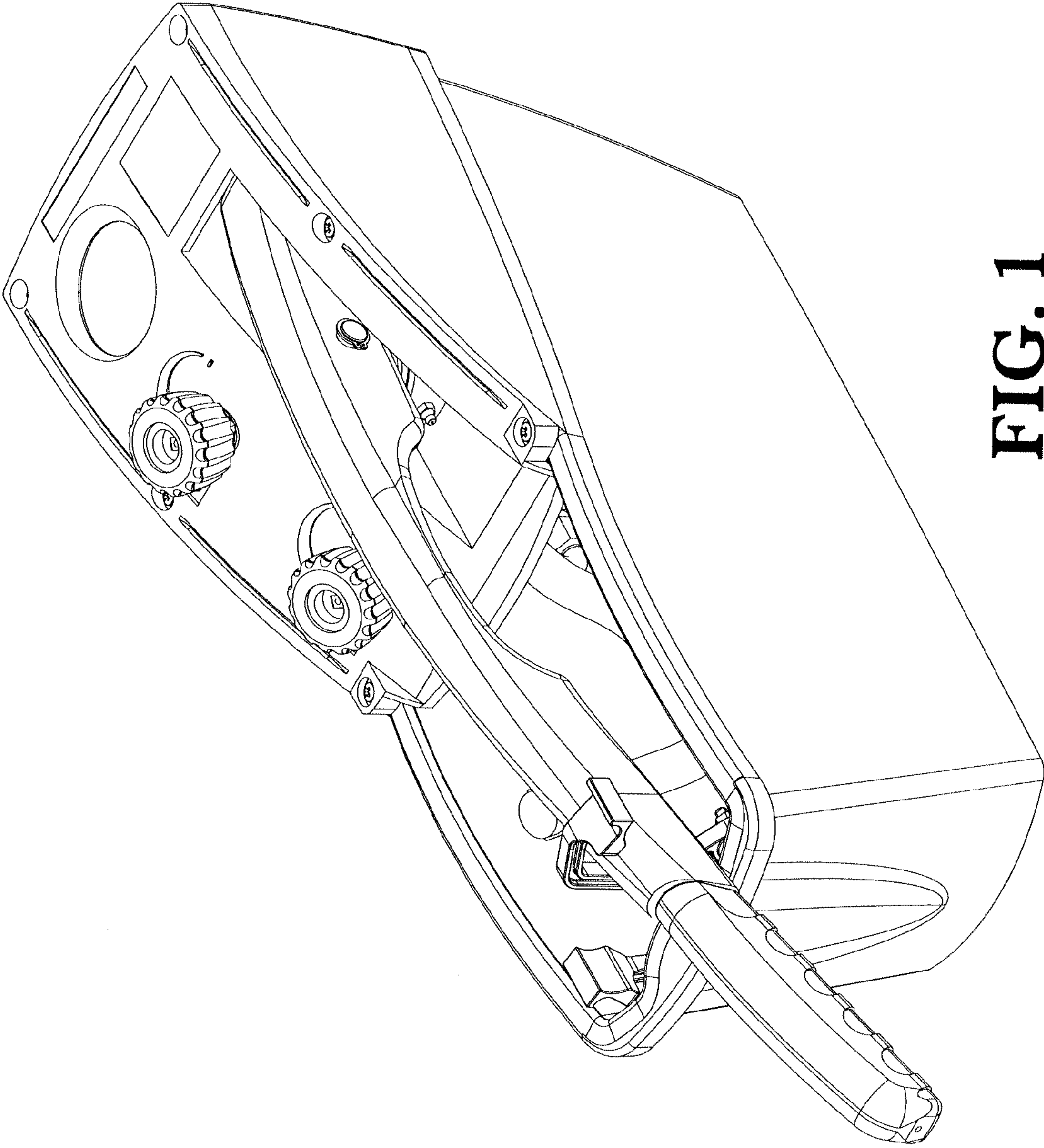


FIG. 1

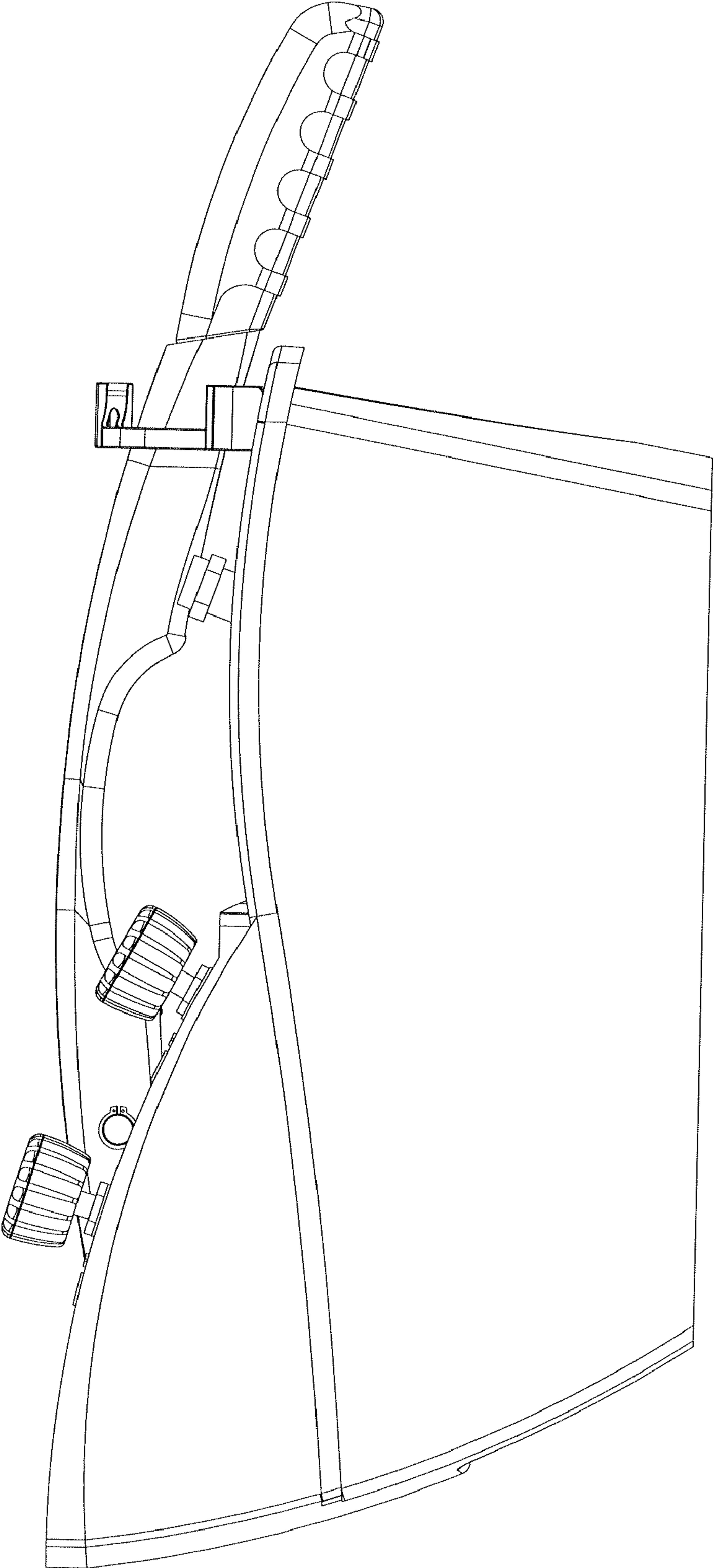


FIG. 2

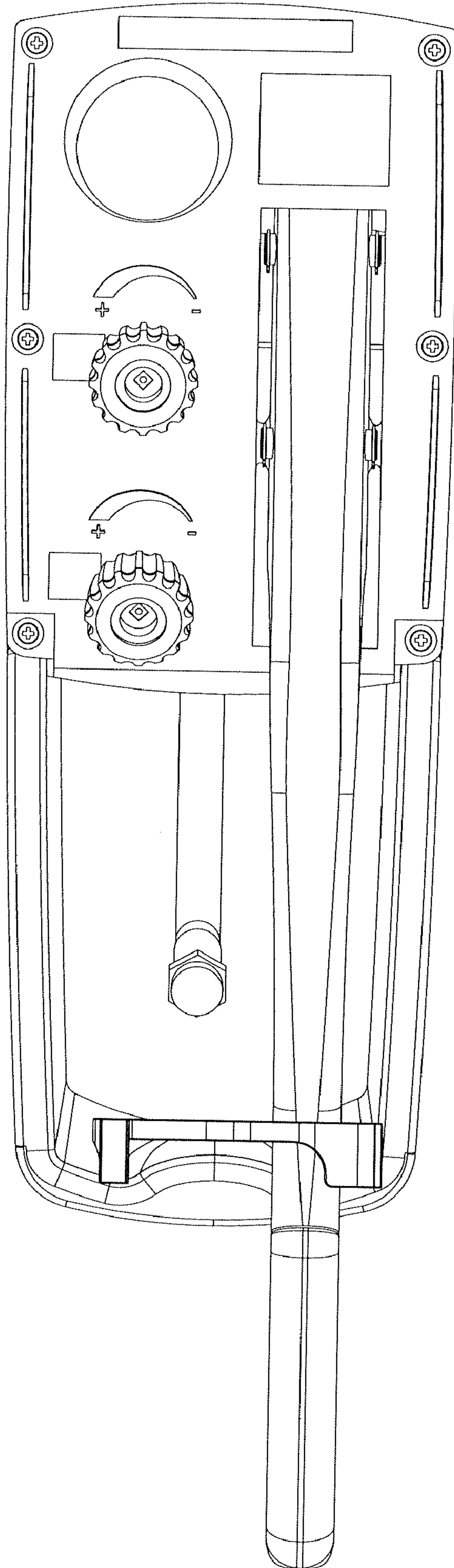


FIG. 3

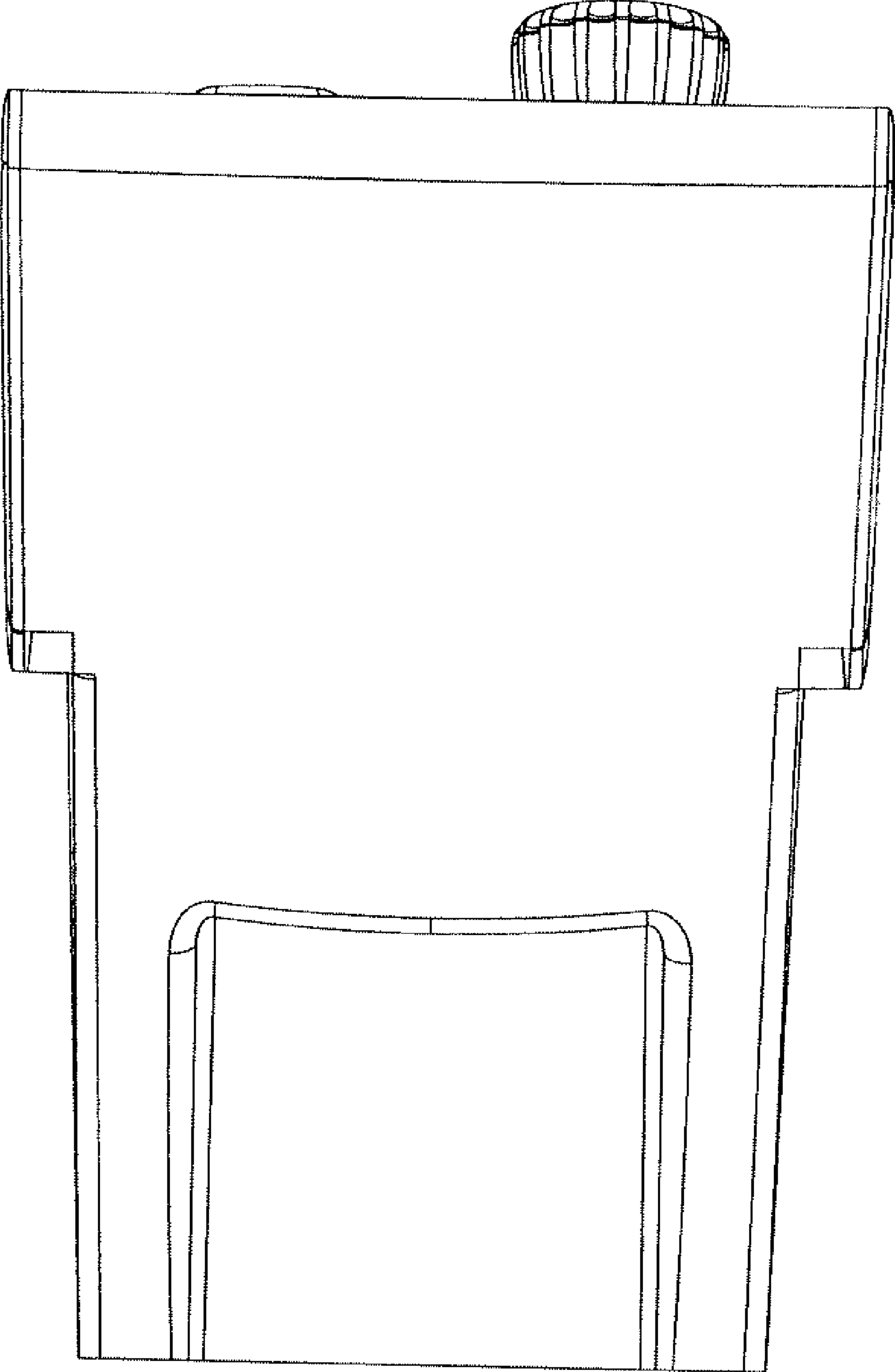


FIG. 4

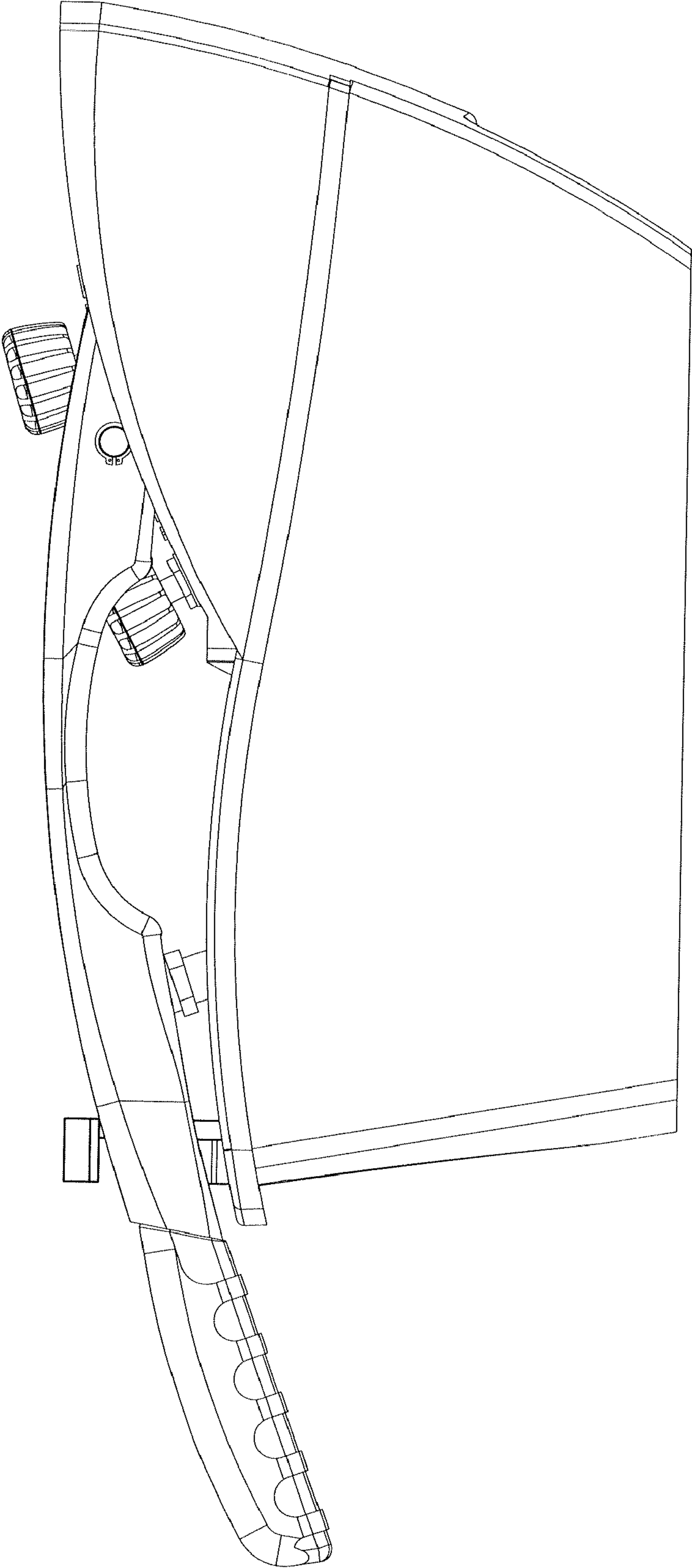


FIG. 5

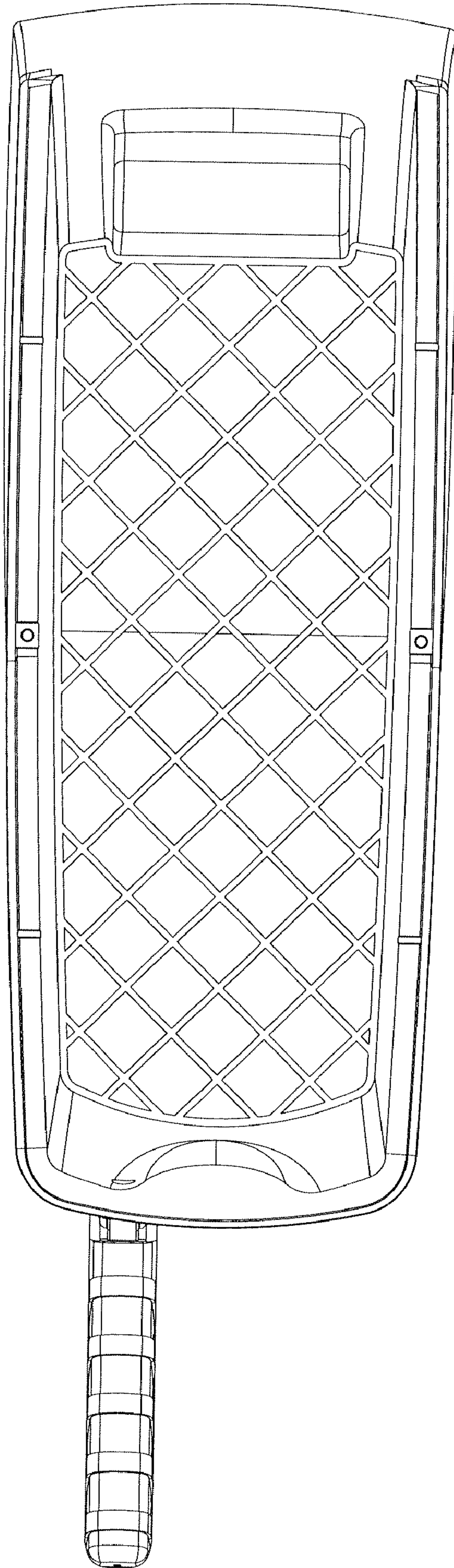


FIG. 6

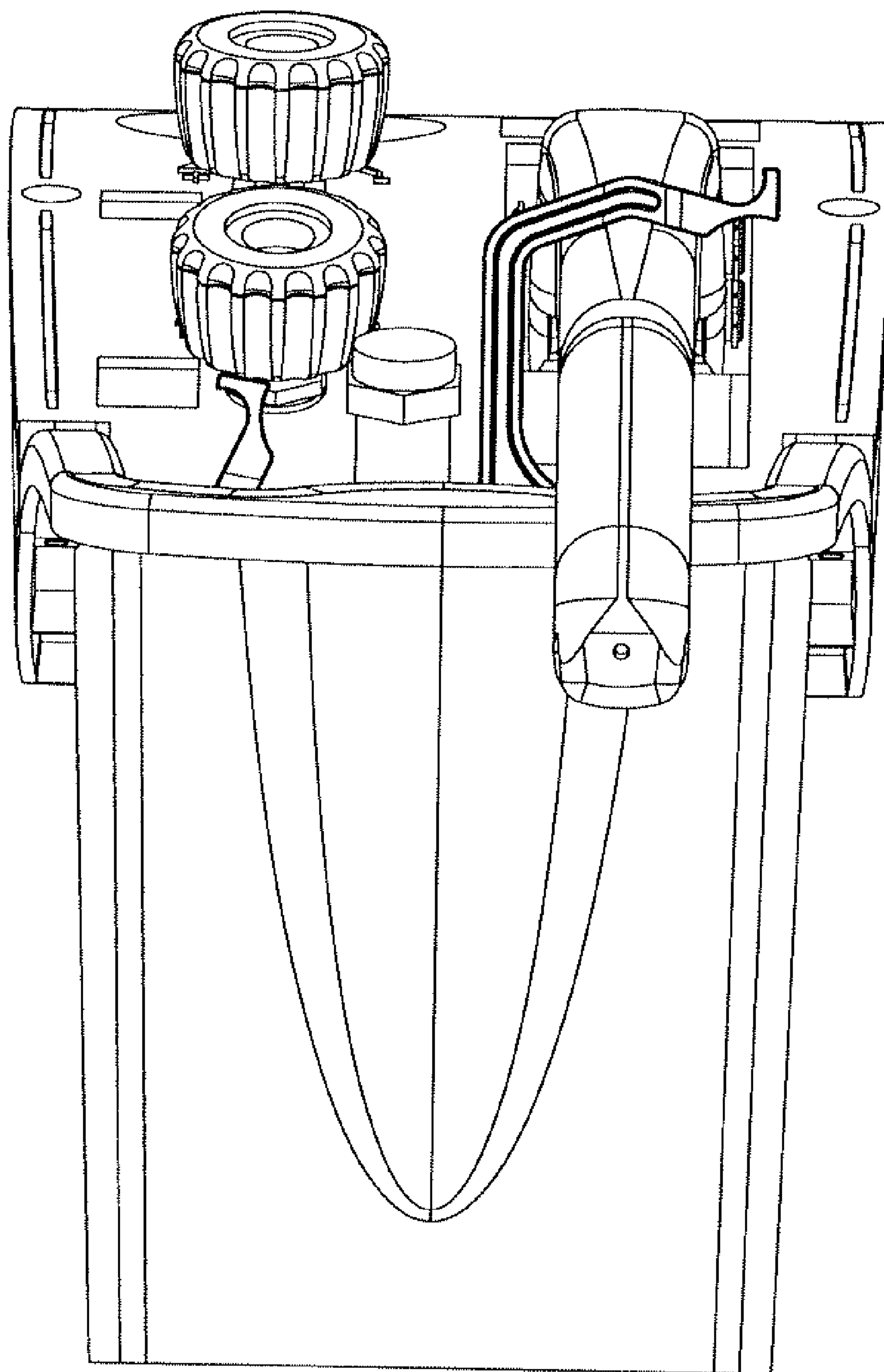


FIG. 7