



US00D548631S

(12) **United States Design Patent**  
**Roberts et al.**

(10) **Patent No.:** **US D548,631 S**

(45) **Date of Patent:** **\*\* Aug. 14, 2007**

(54) **POOL MONITOR**

D453,905 S \* 2/2002 Cheng ..... D10/81

(75) Inventors: **William C. Roberts**, Haverhill, MA  
(US); **Robert Hoenig**, Nashua, NH  
(US)

\* cited by examiner

*Primary Examiner*—Antoine D. Davis  
(74) *Attorney, Agent, or Firm*—Fish & Richardson P.C.

(73) Assignee: **AquaSonus, LLC**, Lowell, MA (US)

(57) **CLAIM**

(\*\*) Term: **14 Years**

The ornamental design for a pool monitor, as shown and described.

(21) Appl. No.: **29/253,210**

(22) Filed: **Feb. 1, 2006**

**DESCRIPTION**

(51) **LOC (8) Cl.** ..... **10-04**

FIG. 1 is a perspective view of a pool monitor.

(52) **U.S. Cl.** ..... **D10/81**

FIG. 2 is a front view of the pool monitor of FIG. 1.

(58) **Field of Classification Search** ..... D10/81;

FIG. 3 is a rear view of the pool monitor of FIG. 1.

73/864.31, 864.32, 864.51, 864.52, 864.61;

FIG. 4 is a side view of the pool monitor of FIG. 1.

119/206; 210/514–515; 422/55, 61, 62

FIG. 5 is a opposite side view of the pool monitor of FIG. 1.

See application file for complete search history.

FIG. 6 is a top view of the pool monitor of FIG. 1; and,

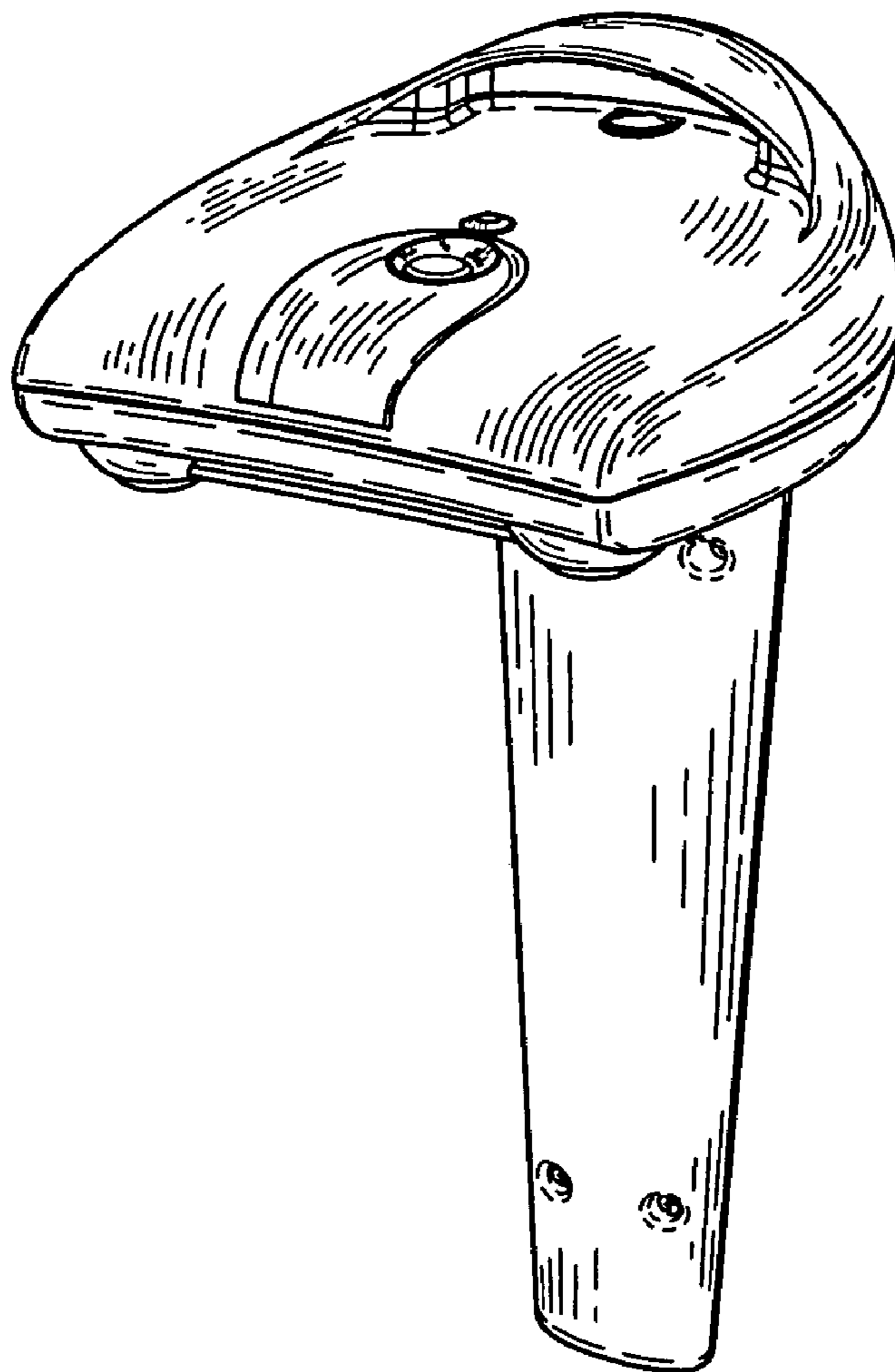
(56) **References Cited**

FIG. 7 is a bottom view of the pool monitor of FIG. 1.

U.S. PATENT DOCUMENTS

D275,268 S \* 8/1984 Molloy et al. .... D10/81

**1 Claim, 2 Drawing Sheets**



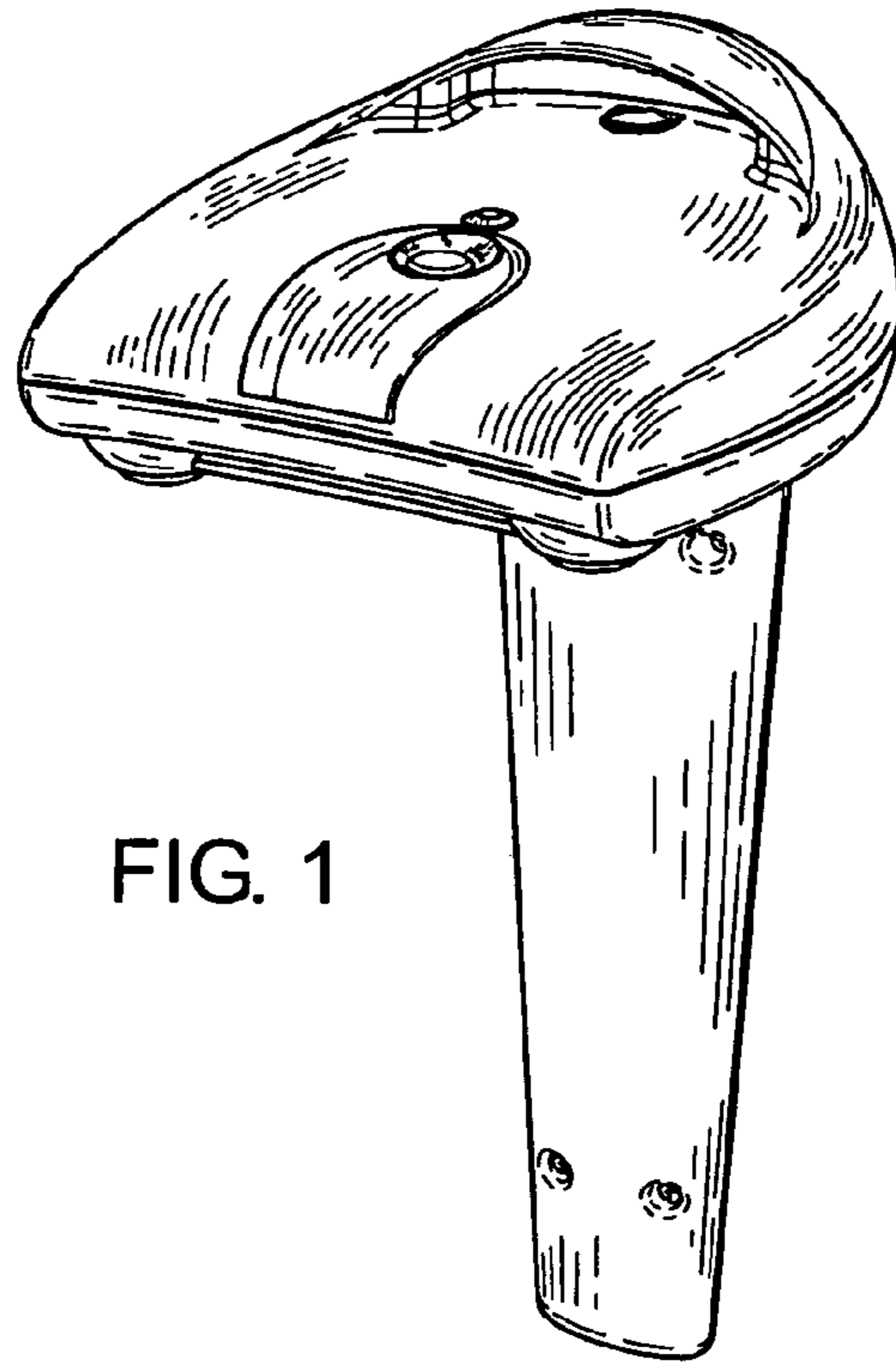


FIG. 1

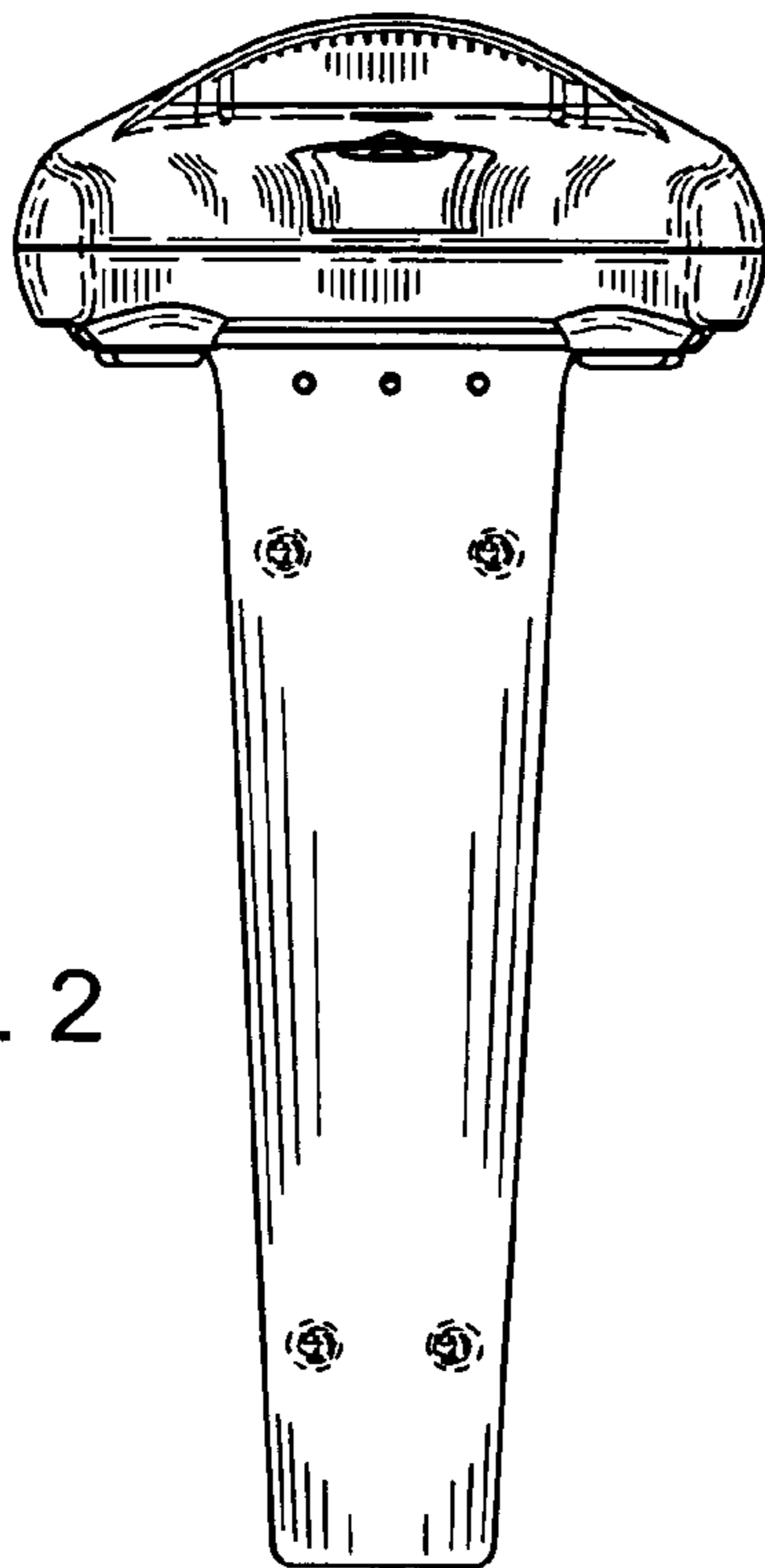


FIG. 2

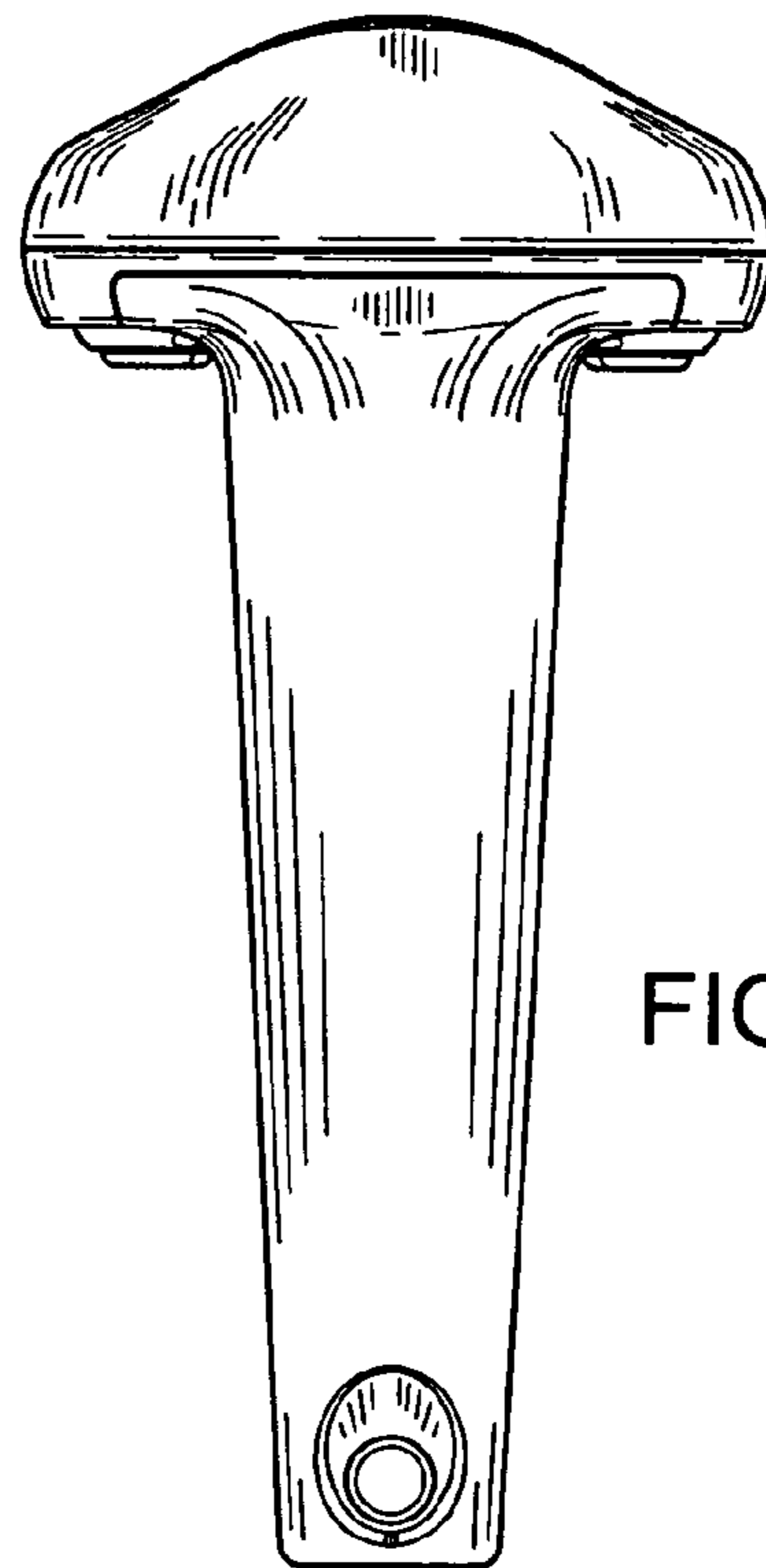


FIG. 3

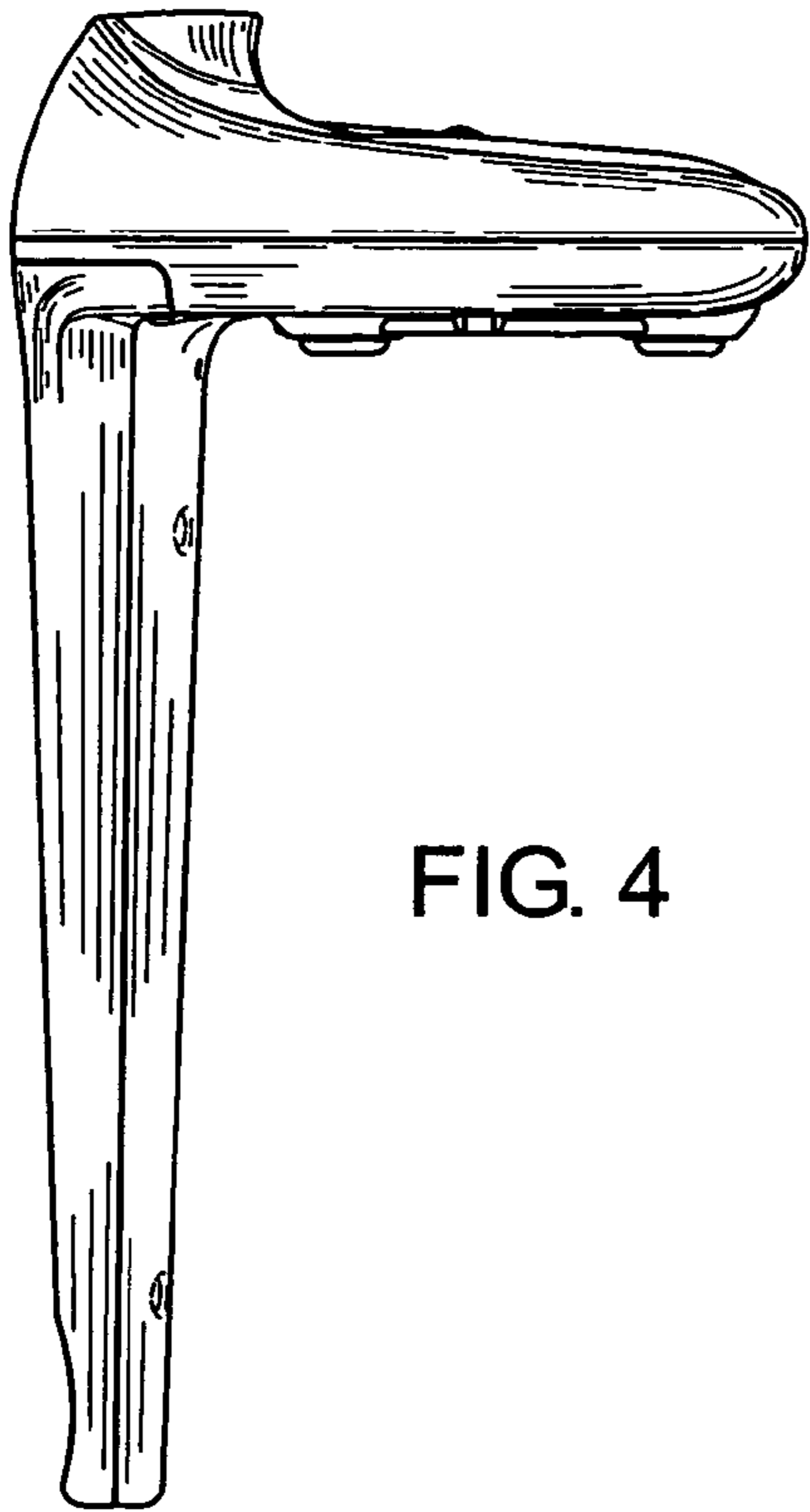


FIG. 4

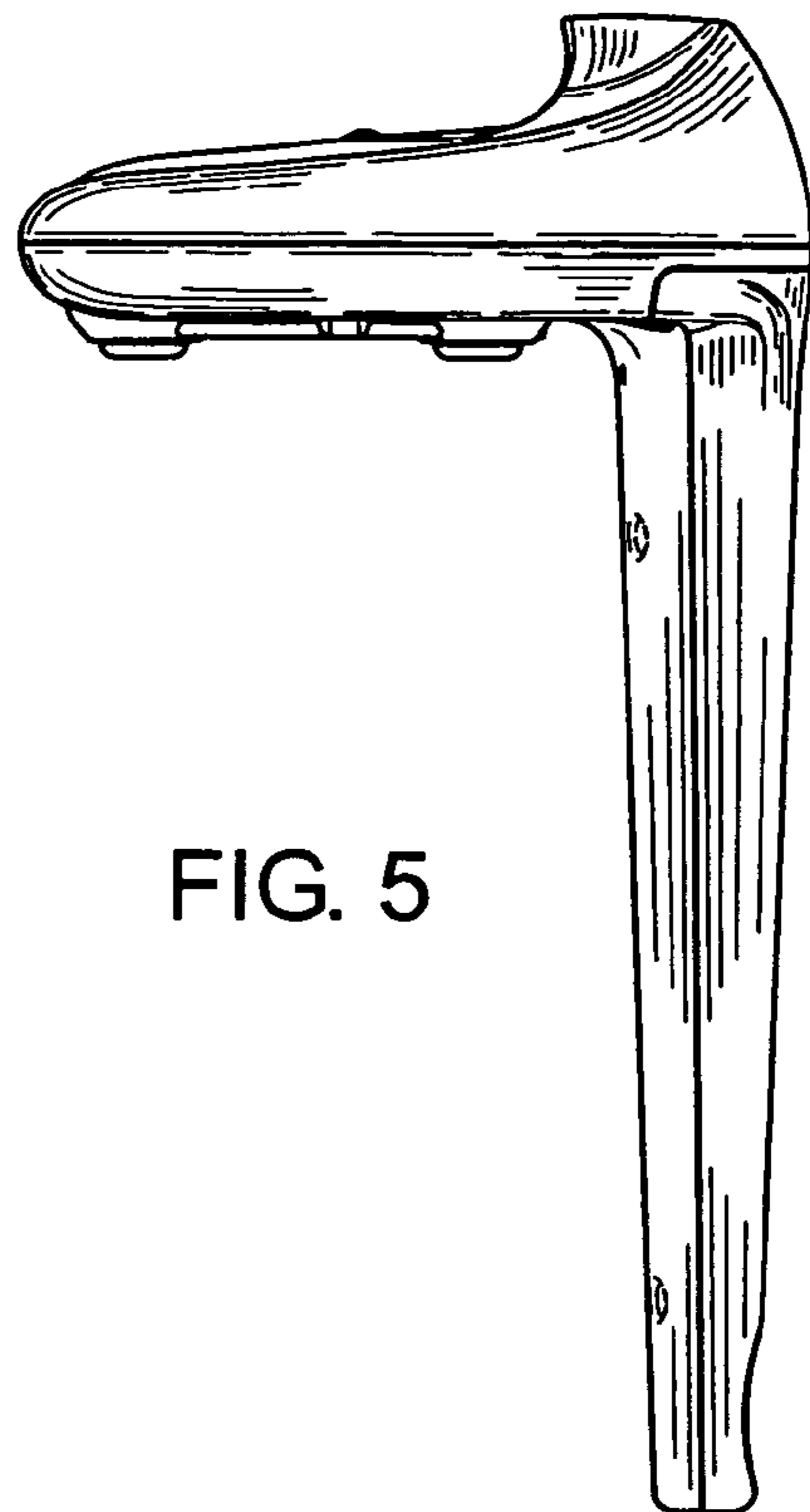


FIG. 5

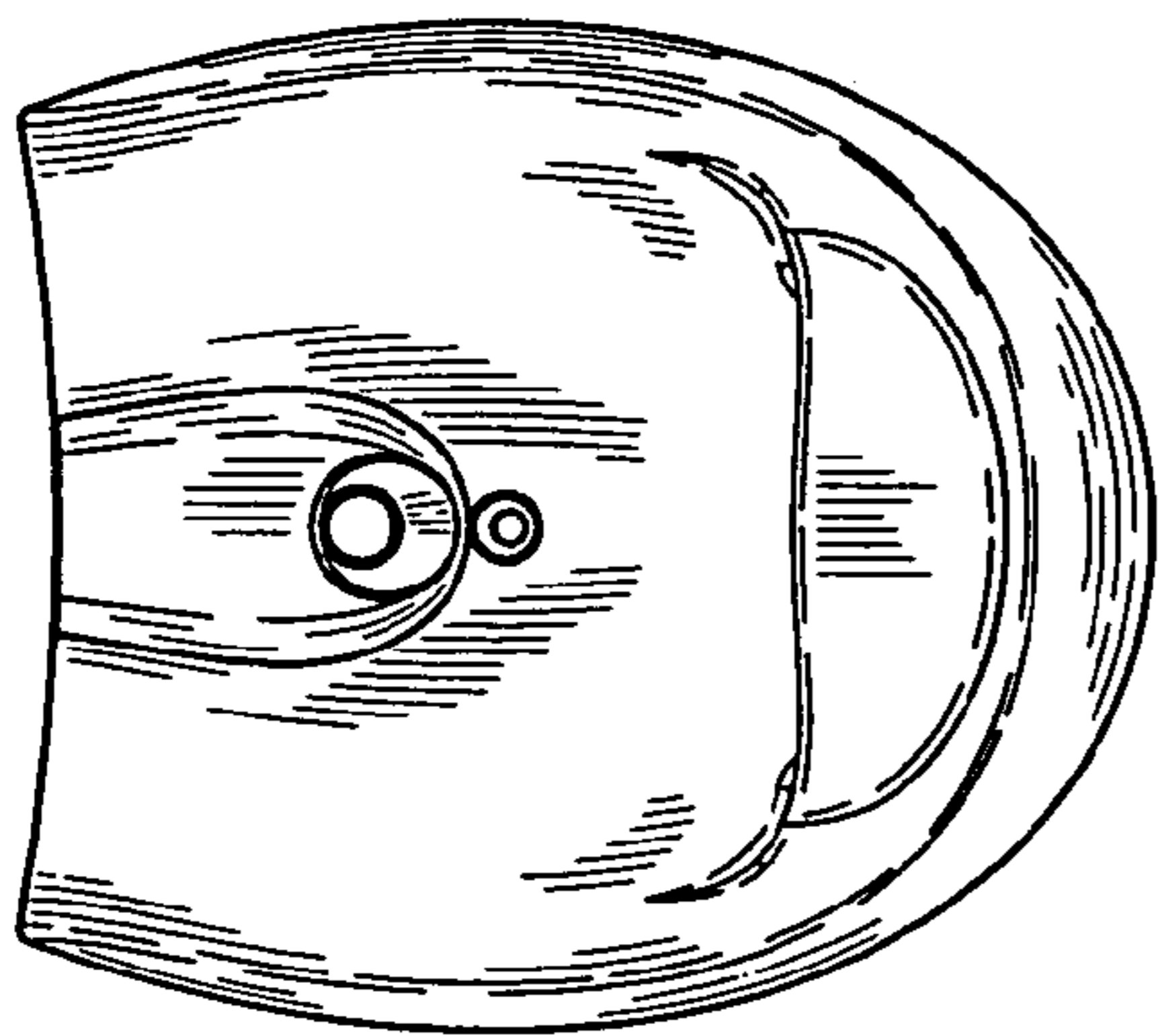


FIG. 6

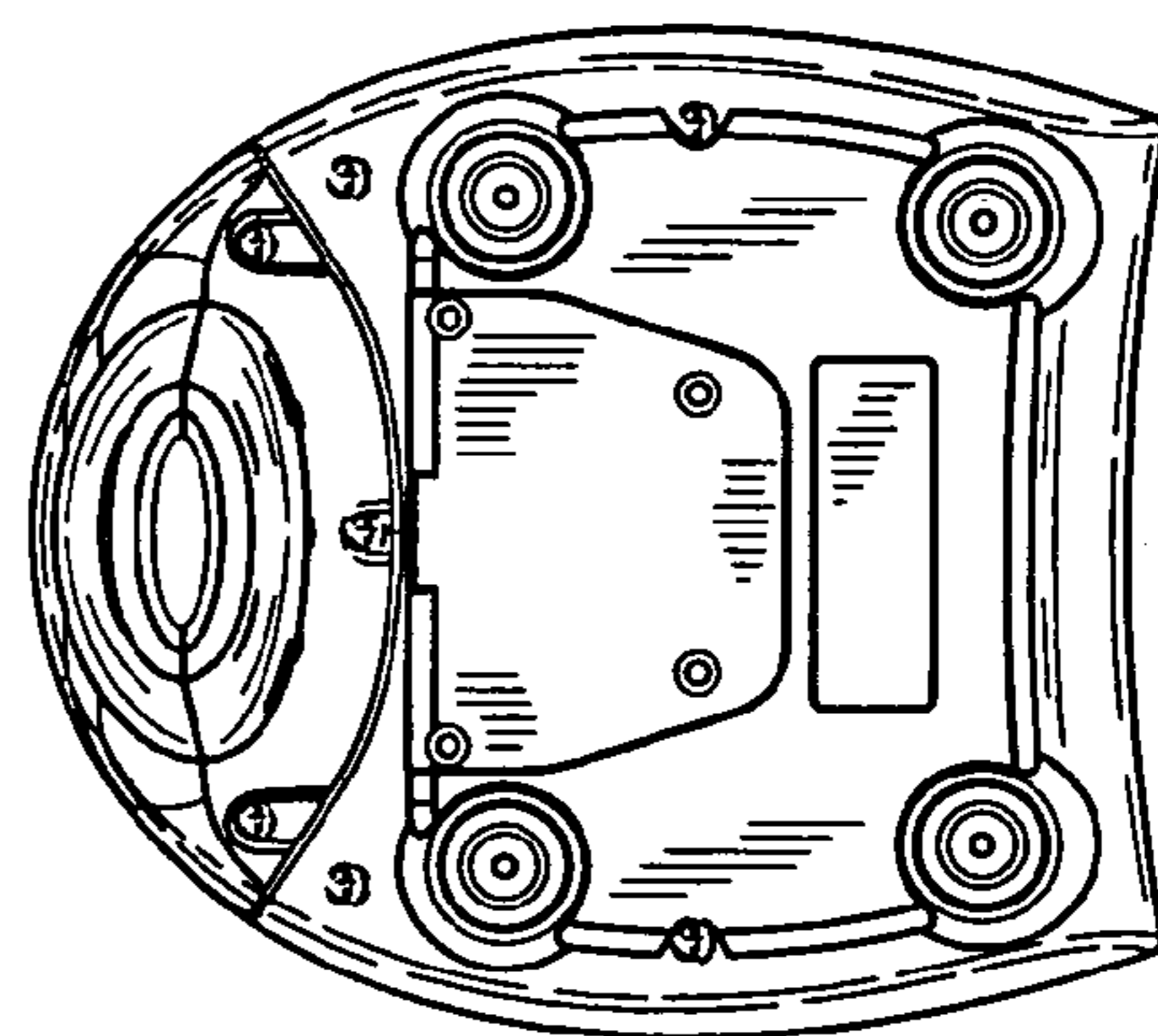


FIG. 7