

US00D548630S

(12) **United States Design Patent** (10) **Patent No.:** **US D548,630 S**
Rhine et al. (45) **Date of Patent:** **** Aug. 14, 2007**

(54) **STRUCTURAL PORTIONS OF A CDMA WIRELESS UNTETHERED TRAILER TRACKING TERMINAL**

Primary Examiner—Antoine D. Davis
(74) *Attorney, Agent, or Firm*—QUALCOMM Incorporated; Thomas Rouse; Richard Bachand

(75) Inventors: **Jeffrey Jay Rhine**, Poway, CA (US); **Charles Pedersen**, San Diego, CA (US); **David C. Stillinger**, Cardiff by the Sea, CA (US); **John Phillip Oeth**, Cardiff by the Sea, CA (US); **Kip Leggett**, Chula Vista, CA (US); **Kenneth H. Oertle**, San Diego, CA (US)

(57) **CLAIM**

The ornamental design for the structural portions of a CDMA wireless untethered trailer tracking terminal, as shown and described.

(73) Assignee: **QUALCOMM Incorporated**, San Diego, CA (US)

DESCRIPTION

(**) Term: **14 Years**

FIG. 1 is a top perspective view of the Invention showing the new design;

(21) Appl. No.: **29/239,523**

FIG. 2 is a bottom perspective view of the Invention shown in FIG. 1;

(22) Filed: **Sep. 30, 2005**

FIG. 3 is a front plan view of the Invention shown in FIG. 1;

(51) **LOC (8) Cl.** **10-04**

(52) **U.S. Cl.** **D10/74**

(58) **Field of Classification Search** D10/65, D10/74; 340/539.1, 539.13, 541, 522, 426.28, 340/568.2, 426.1, 825.36, 539.14, 539.4; 348/143, 152

FIG. 4 is a rear plan view of the Invention shown in FIG. 1;

FIG. 5 is a right side plan view of the Invention shown in FIG. 1;

FIG. 6 is a left side plan view of the Invention shown in FIG. 1;

See application file for complete search history.

FIG. 7 is a top plan view of the Invention shown in FIG. 1; and,

(56) **References Cited**

U.S. PATENT DOCUMENTS

- 5,289,163 A * 2/1994 Perez et al. 340/539.32
- D416,502 S * 11/1999 Autry et al. D10/65
- D478,070 S * 8/2003 Nagai et al. D10/65
- D524,665 S * 7/2006 Taisto D10/65

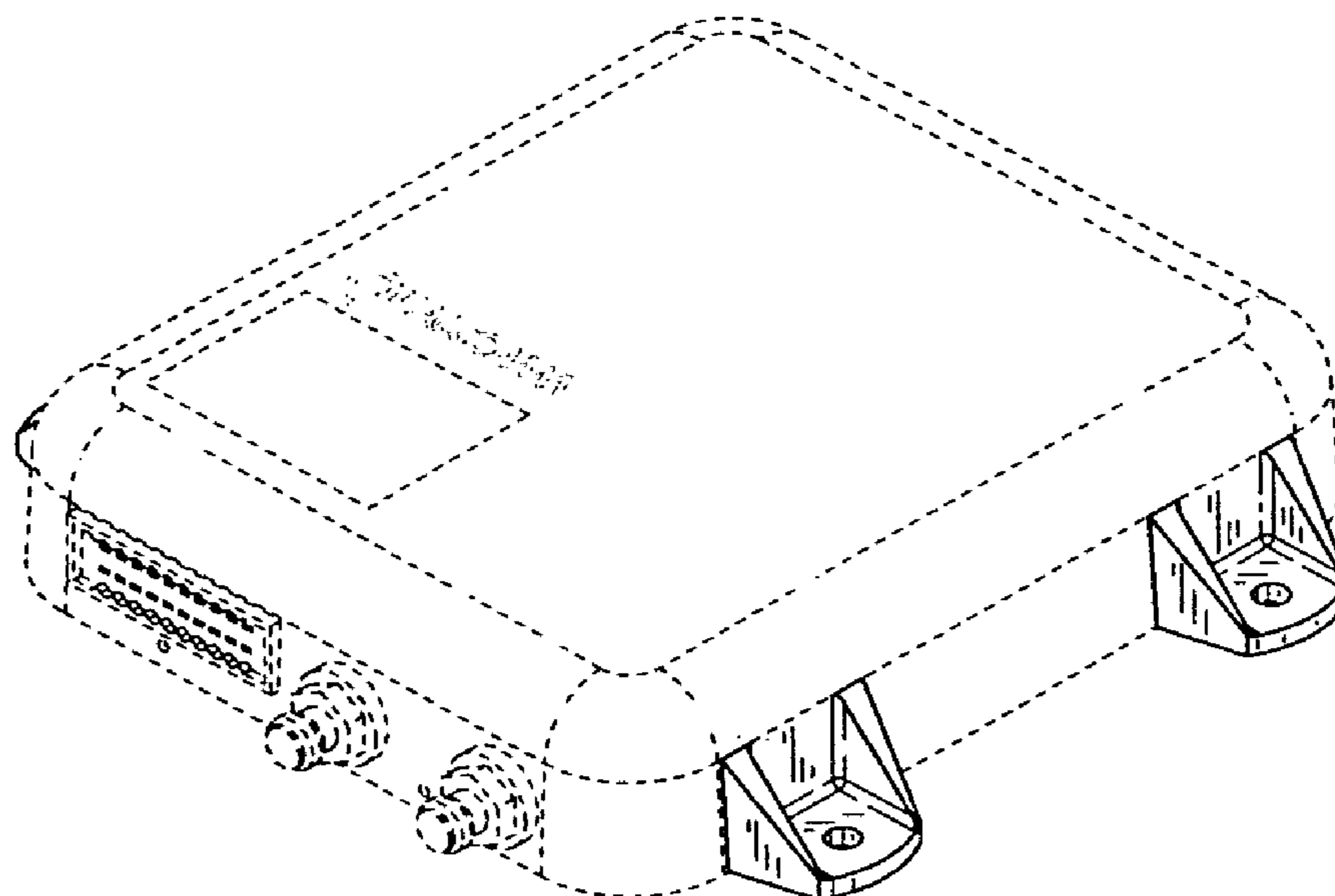
FIG. 8 is a bottom plan view of the Invention shown in FIG. 1.

Features shown by broken lines are for illustrative purposes only, and are not claimed as part of the invention.

Any stippling shown on the drawing figures is for shading purposes, and does not form a part of the invention.

* cited by examiner

1 Claim, 4 Drawing Sheets



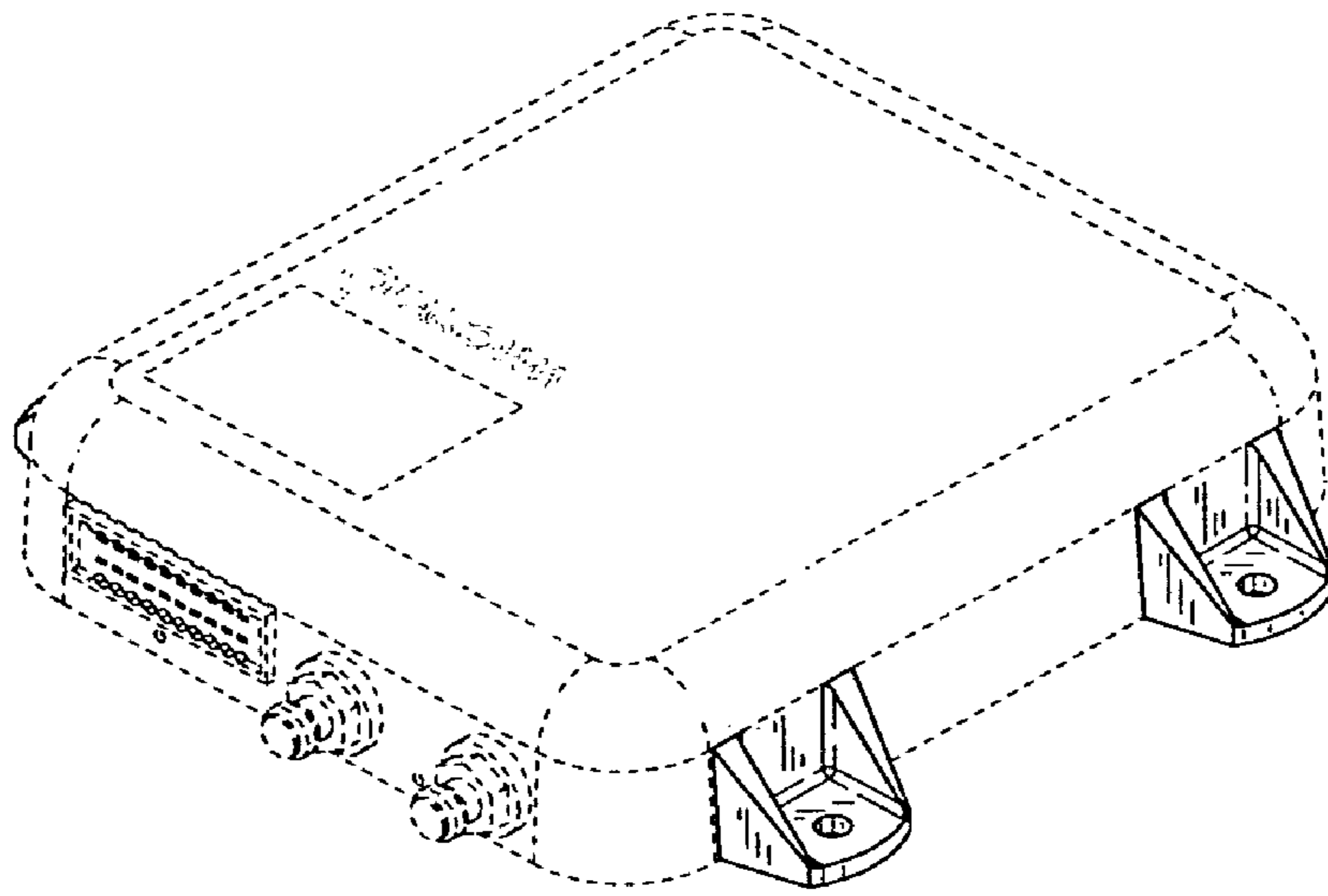


FIG.1

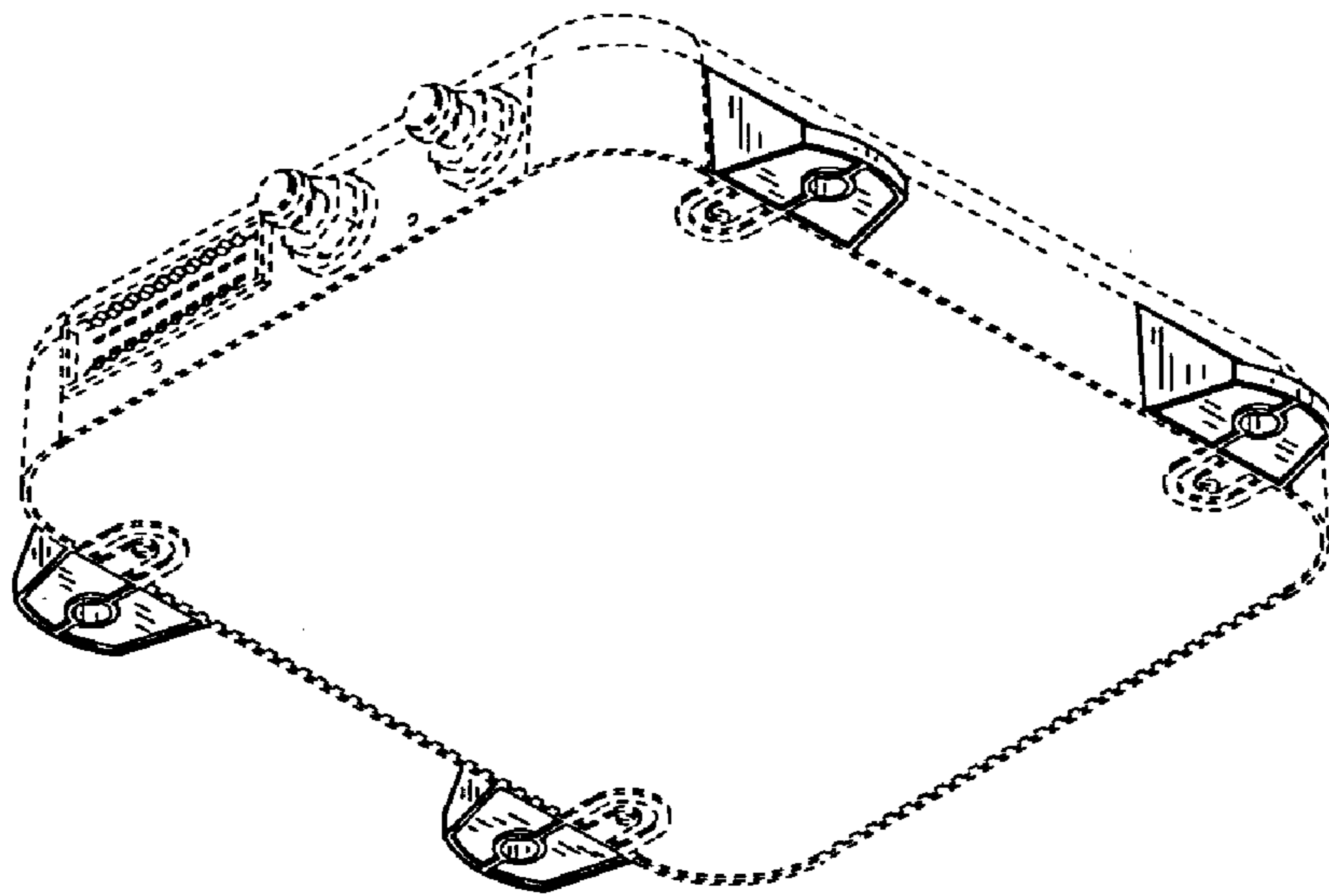


FIG.2

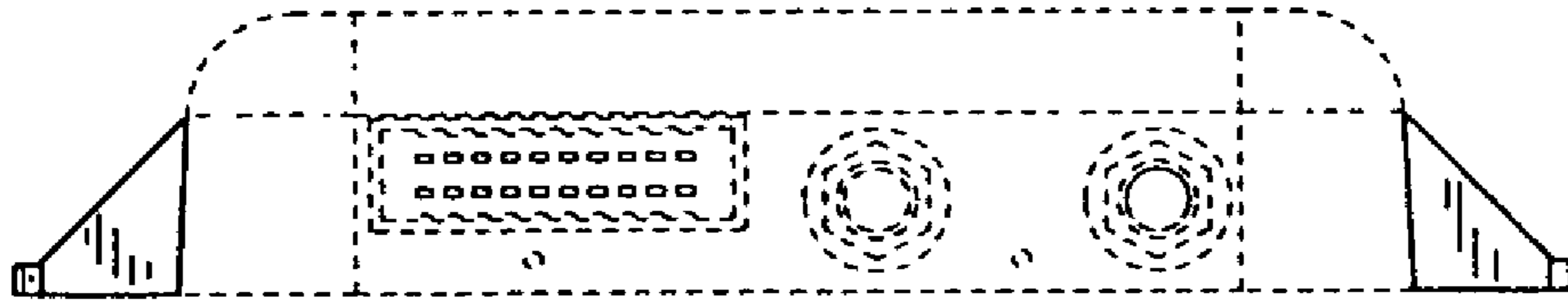


FIG.3

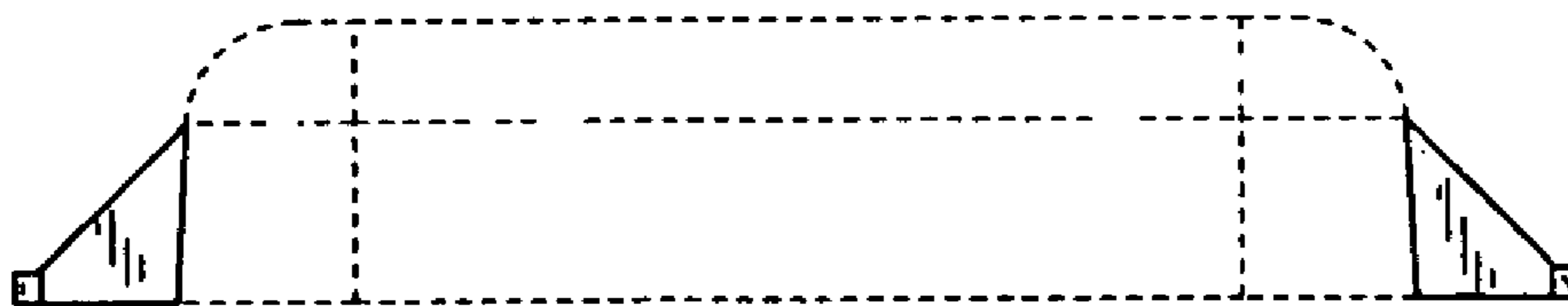


FIG.4

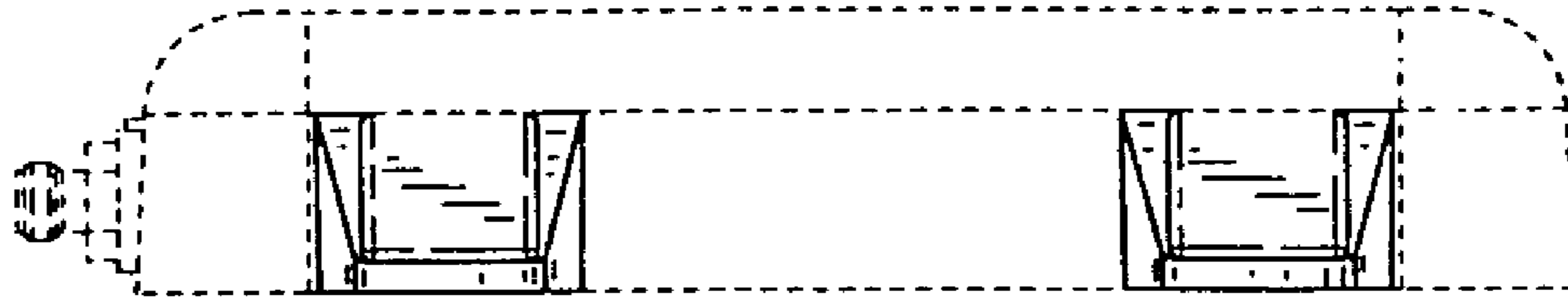


FIG.5

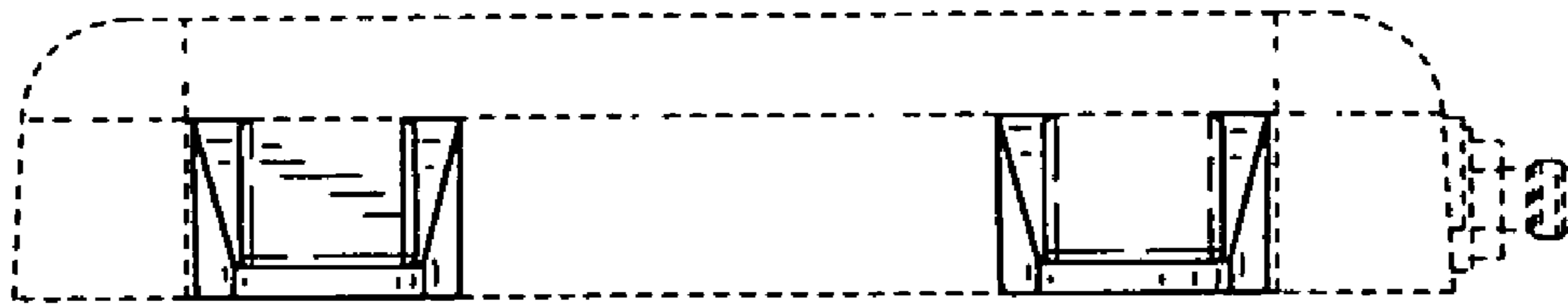


FIG.6

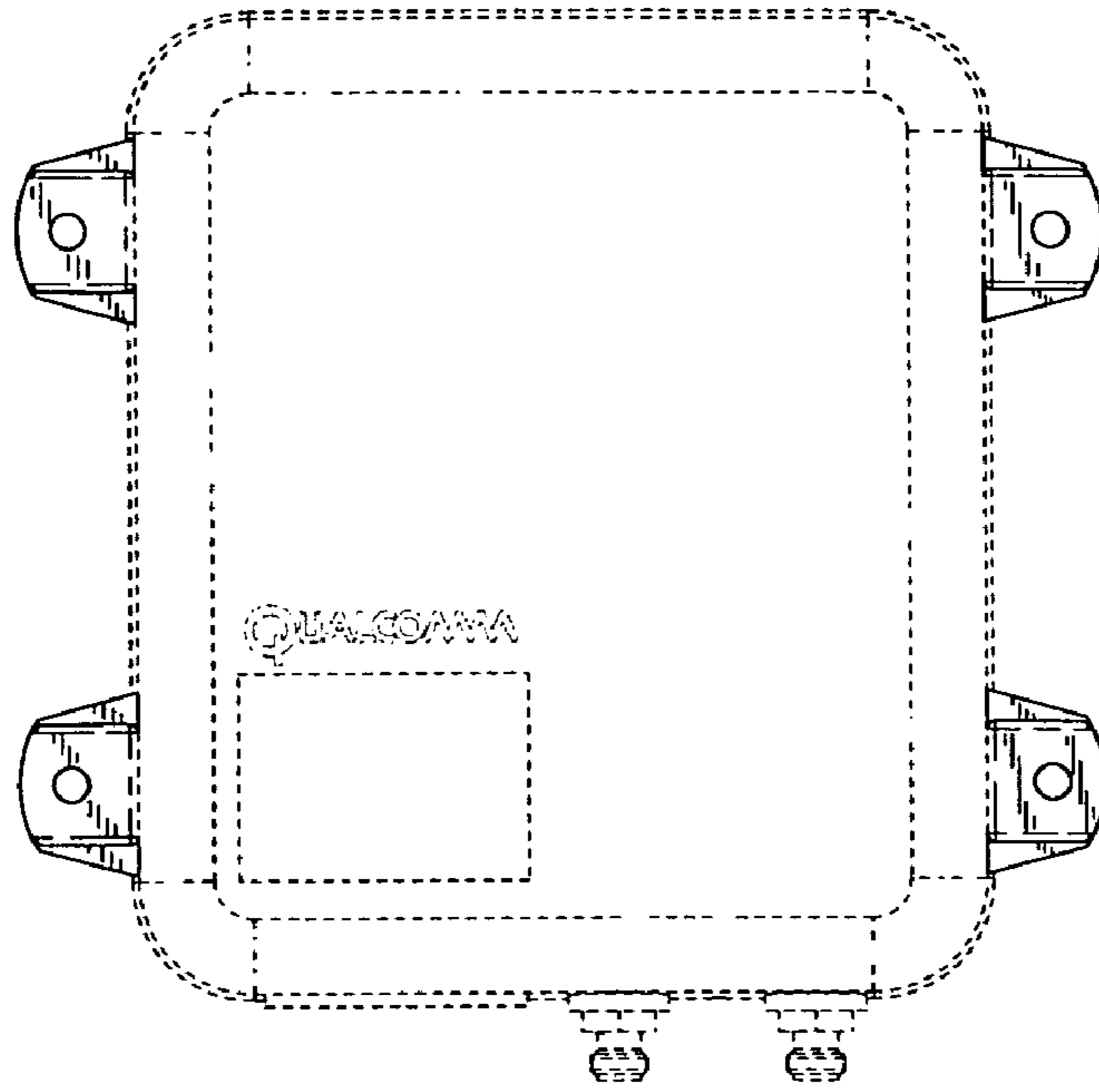


FIG. 7

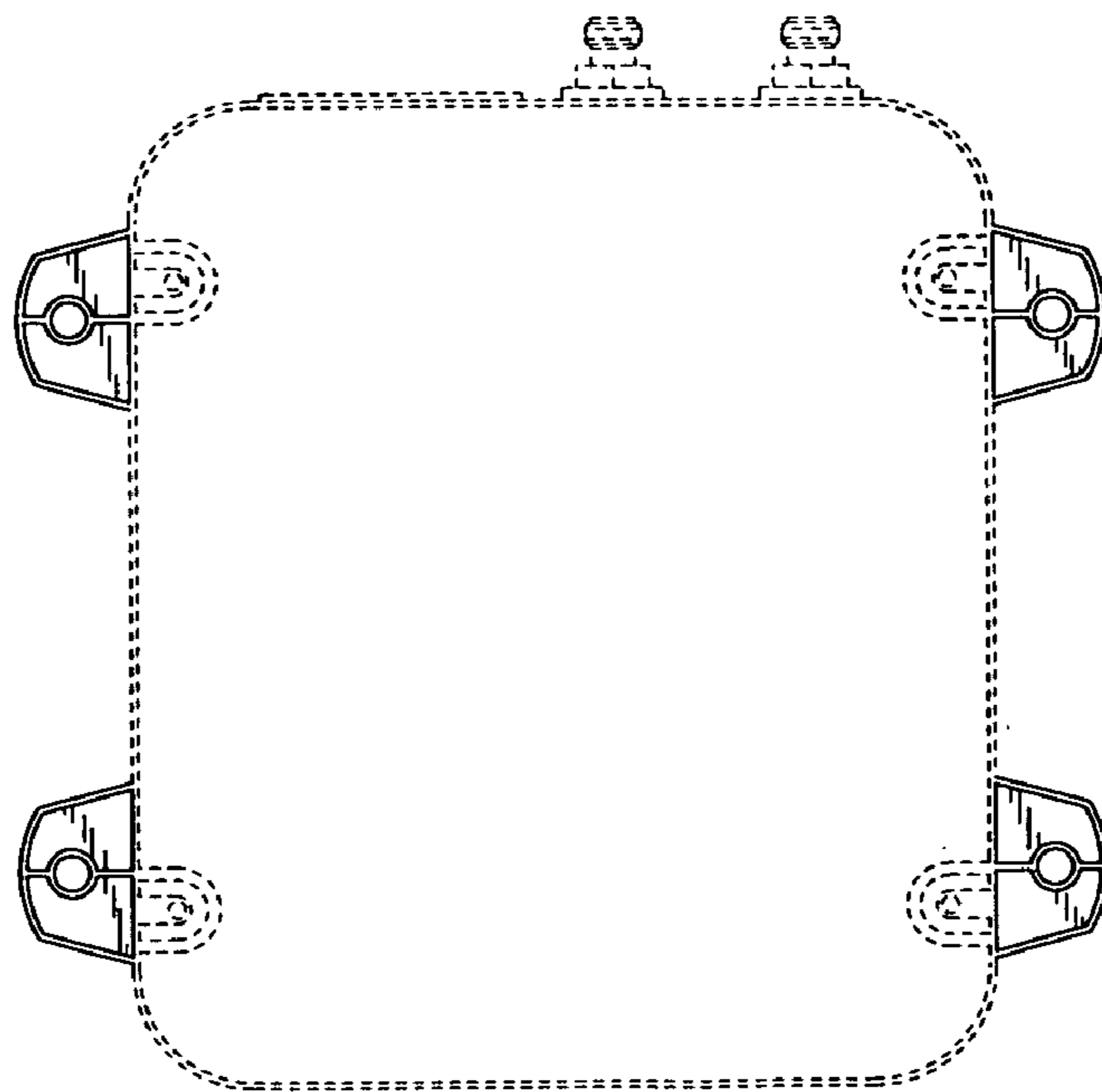


FIG. 8