

US00D548626S

(12) **United States Design Patent** (10) **Patent No.:** **US D548,626 S**
Sisk et al. (45) **Date of Patent:** **** Aug. 14, 2007**

(54) **HAND-HELD UNIT OF AN ELECTRONIC THERMOMETER**

(75) Inventors: **Ricky A. Sisk**, Washington, MO (US); **Kenneth M. Breitweiser**, Brighton, IL (US); **Scott Kimsey**, St. Peters, MO (US); **Joseph T. Gierer**, Glen Carbon, IL (US)

(73) Assignee: **Sherwood Services AG** (CH)

(**) Term: **14 Years**

(21) Appl. No.: **29/249,453**

(22) Filed: **Oct. 6, 2006**

Related U.S. Application Data

(63) Continuation-in-part of application No. 29/241,955, filed on Nov. 3, 2005, now Pat. No. Des. 535,202.

(51) **LOC (8) Cl.** **10-04**

(52) **U.S. Cl.** **D10/57**

(58) **Field of Classification Search** D10/57;
374/1-210; 128/639, 662, 663, 670, 687,
128/711, 736; 364/557, 418
See application file for complete search history.

(56) **References Cited**

U.S. PATENT DOCUMENTS

- 3,729,998 A 5/1973 Mueller et al.
- 3,893,058 A 7/1975 Keith
- 3,915,003 A 10/1975 Adams
- 4,008,614 A 2/1977 Turner et al.
- 4,112,762 A 9/1978 Turner et al.
- 4,183,248 A 1/1980 West
- 5,473,629 A 12/1995 Muramoto
- D395,609 S 6/1998 Knieriem et al.
- D400,808 S 11/1998 Schwan
- 6,000,846 A 12/1999 Gregory et al.
- D448,314 S 9/2001 Chen
- 6,293,700 B1 9/2001 Lund et al.
- 6,383,144 B1 5/2002 Mooney et al.

- 6,501,384 B2 12/2002 Chapman et al.
- D480,977 S 10/2003 Wawro et al.
- 6,839,651 B2 1/2005 Lantz et al.
- D512,924 S 12/2005 Ikeda
- 2002/0003832 A1 1/2002 Siefert
- 2003/0023398 A1 1/2003 Lantz et al.
- 2003/0176810 A1 9/2003 Maahs et al.
- 2003/0214999 A1 11/2003 Chapman et al.
- 2004/0071182 A1 4/2004 Quinn et al.
- 2004/0071188 A1 4/2004 Knieriem et al.
- 2004/0105487 A1 6/2004 Chen
- 2004/0146087 A1 7/2004 Penney et al.
- 2005/0083994 A1 4/2005 Wawro et al.
- 2006/0072645 A1 4/2006 Quinn et al.

FOREIGN PATENT DOCUMENTS

JP 6241914 9/1994

Primary Examiner—Antoine D. Davis

(57) **CLAIM**

The ornamental design for hand-held unit of an electronic thermometer, as shown and described.

DESCRIPTION

FIG. 1 is a front perspective view of a hand-held unit of an electronic thermometer showing a probe and cord of the electronic thermometer in phantom;

FIG. 2 is a front elevational view of the hand-held unit of an electronic thermometer with the probe and cord removed for clarity of illustration;

FIG. 3 is a rear elevational view thereof;

FIG. 4 is a left side elevational view thereof;

FIG. 5 is a right side elevational view thereof;

FIG. 6 is a top plan view thereof; and,

FIG. 7 is a bottom plan view thereof.

The probe and cord shown in phantom in FIG. 1 form no part of the design.

1 Claim, 7 Drawing Sheets

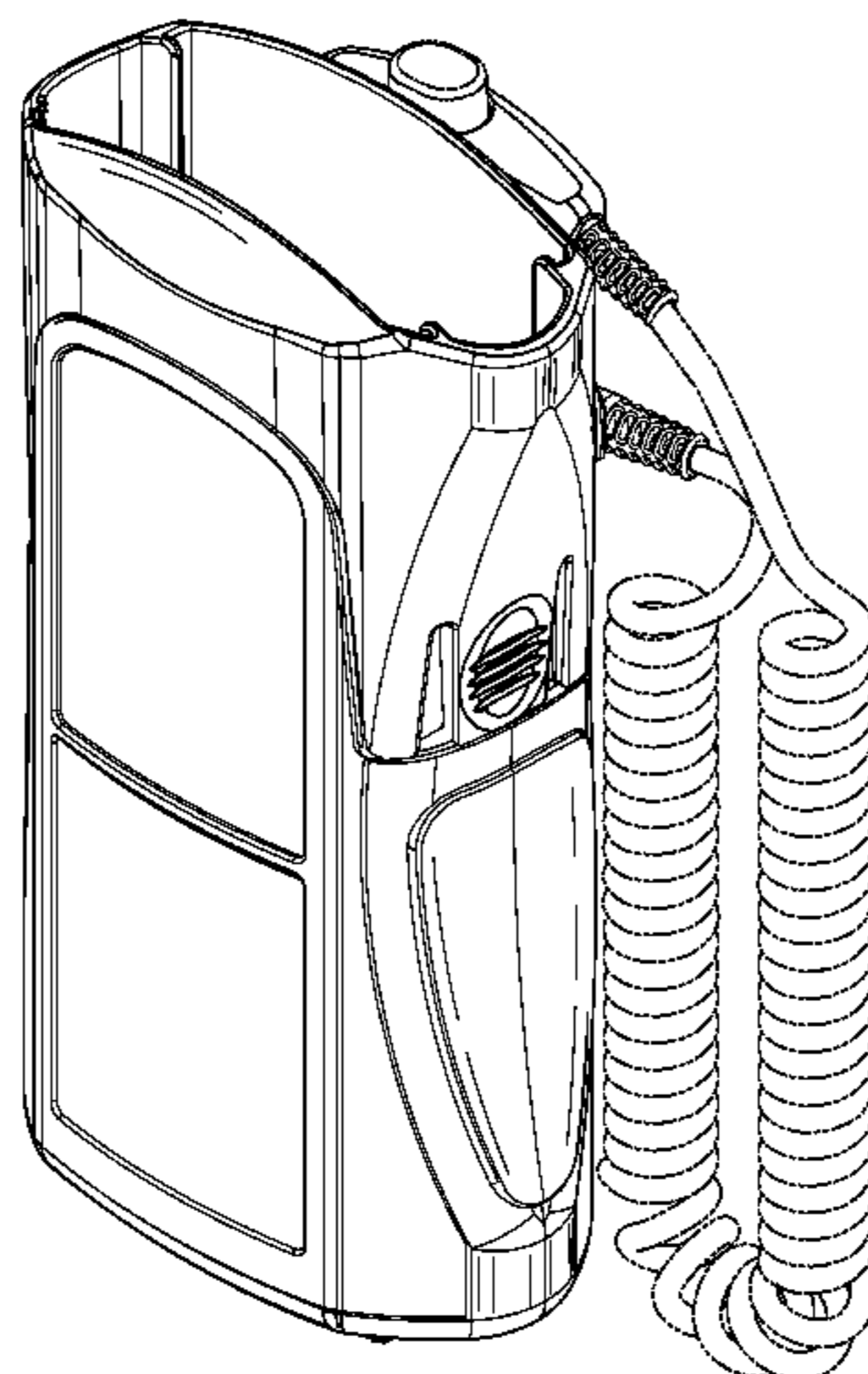


FIG. 1

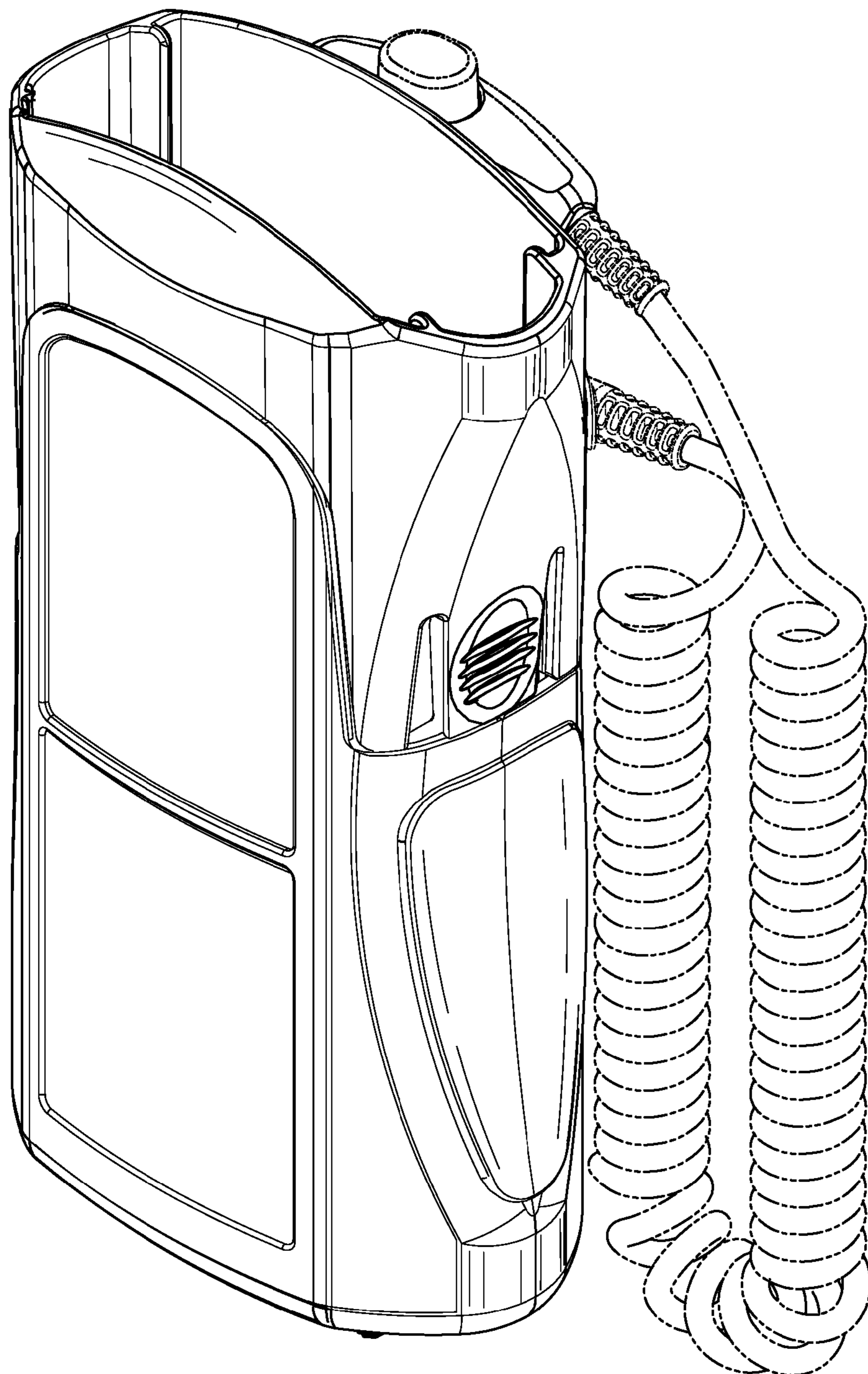


FIG. 2

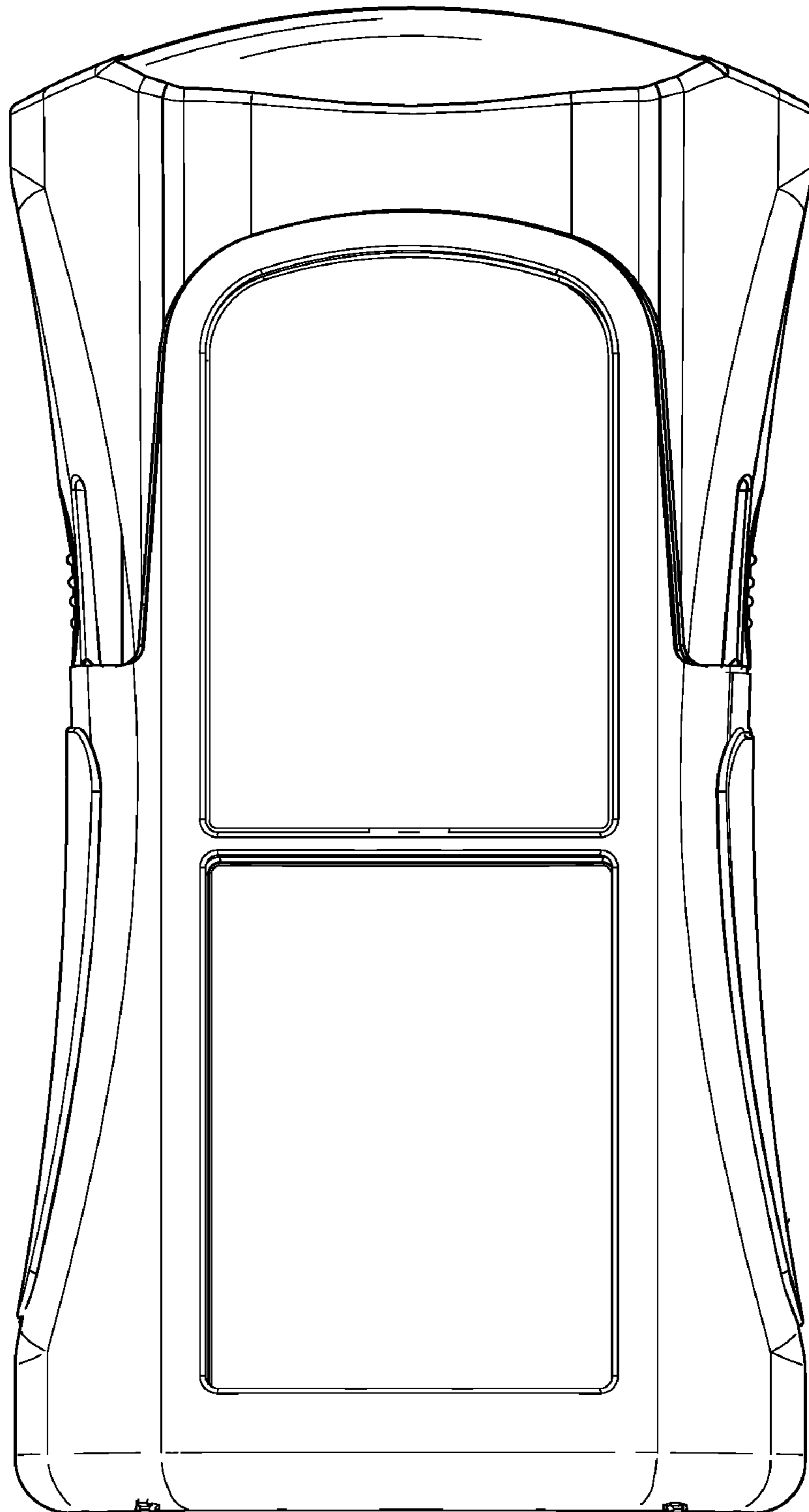


FIG. 3

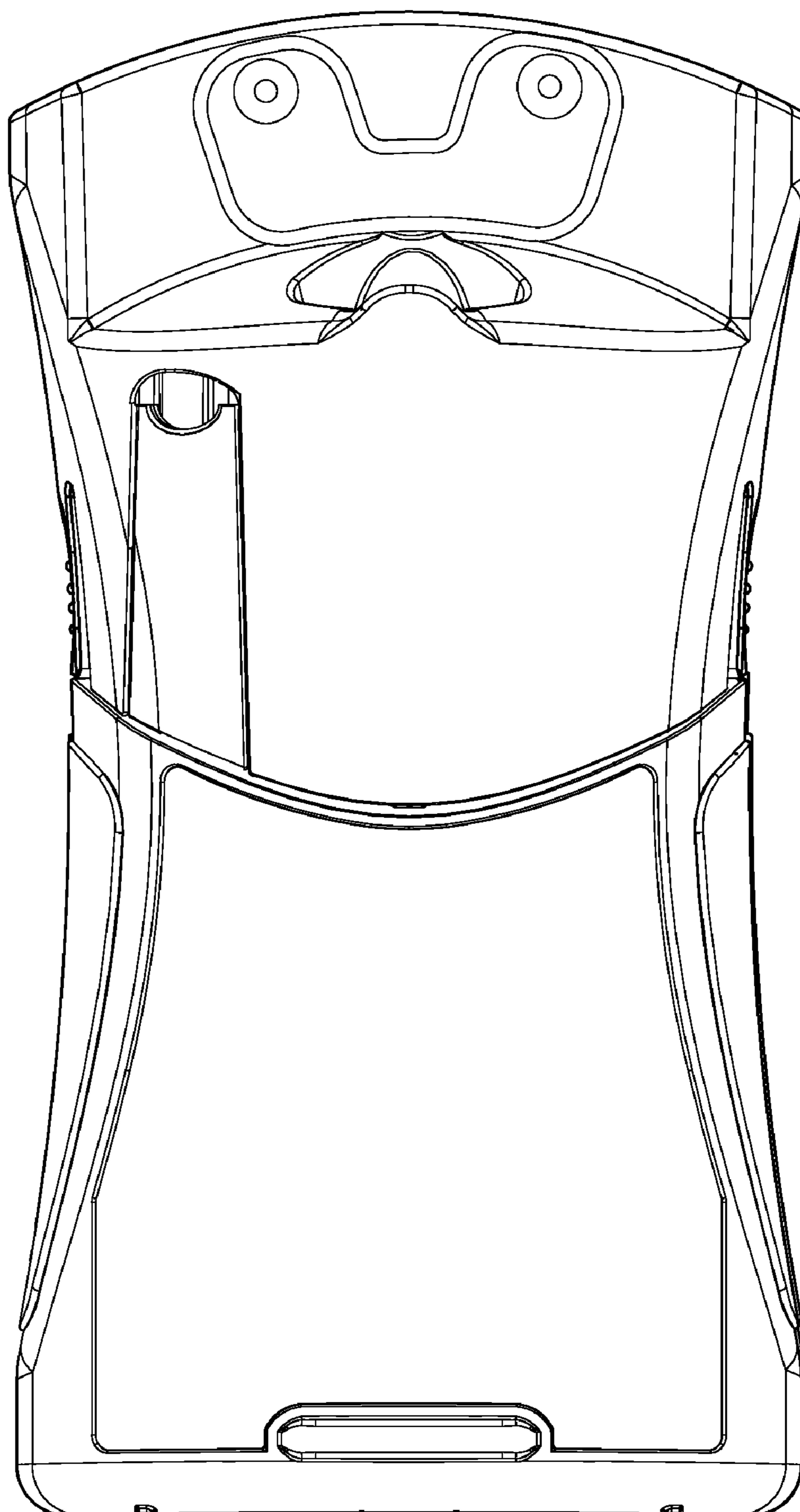


FIG. 4

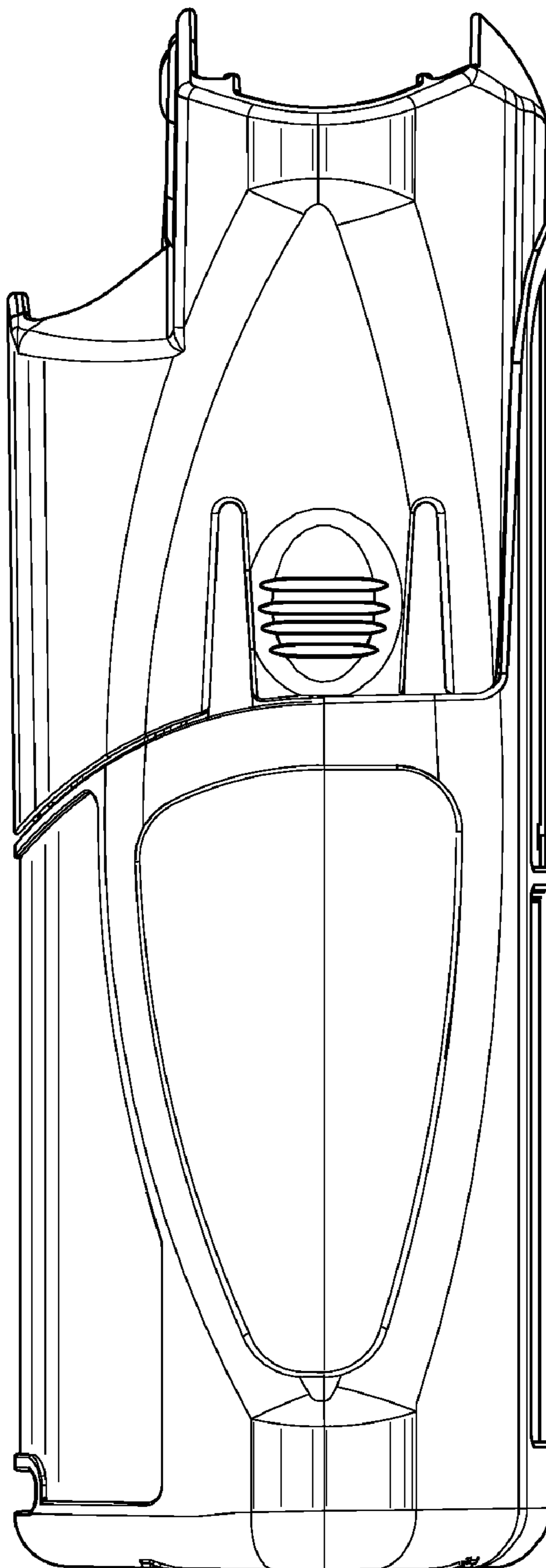


FIG. 5

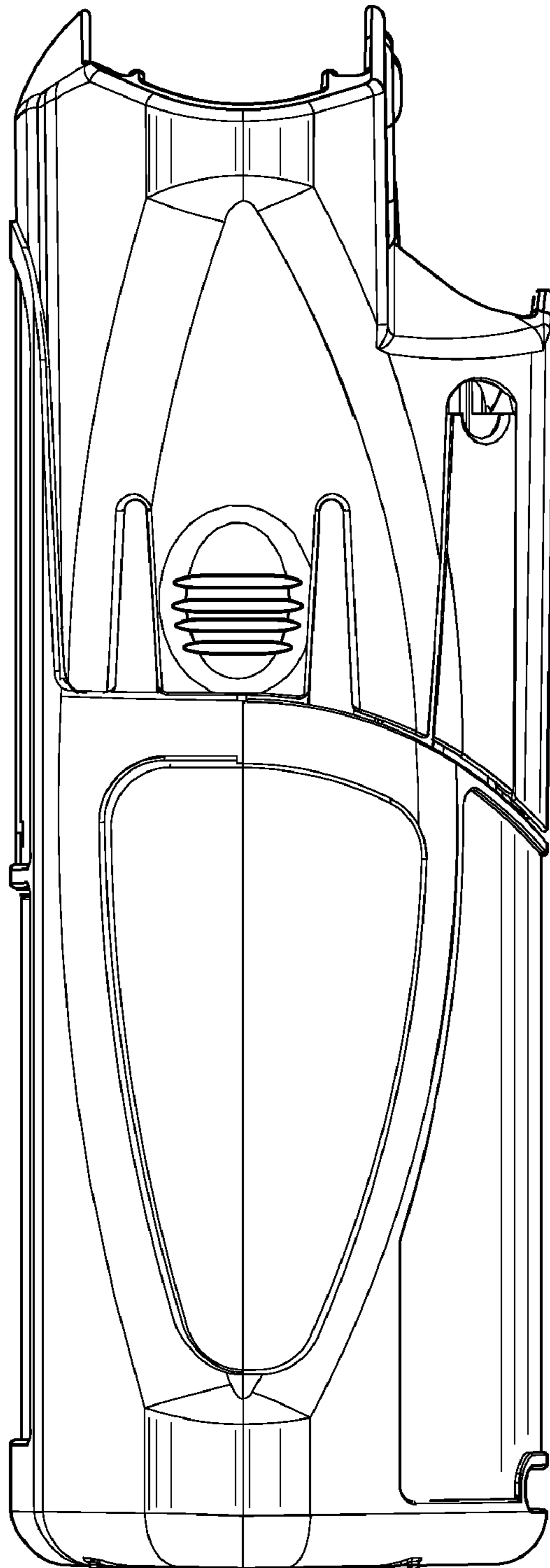


FIG. 6

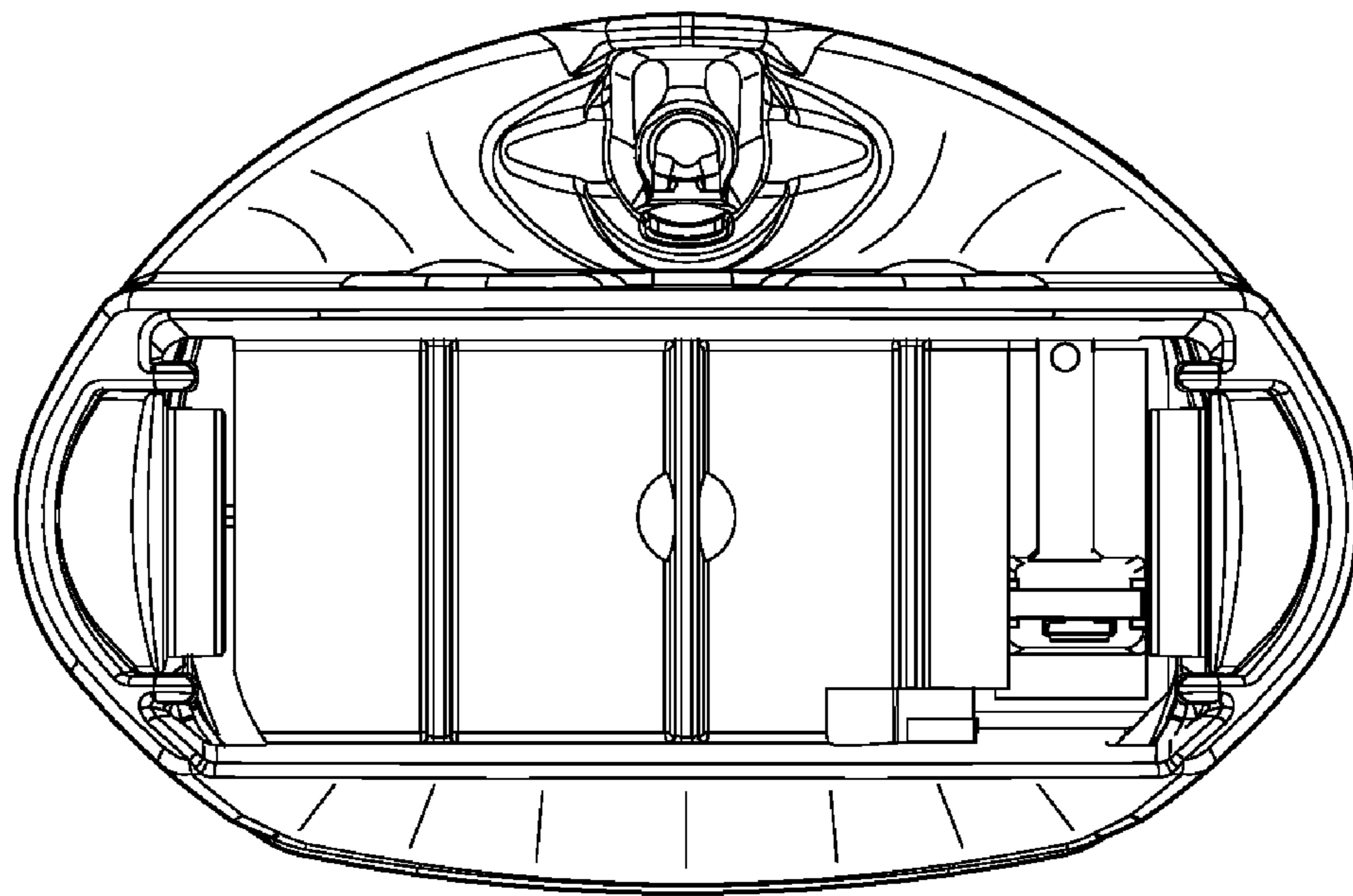


FIG. 7

