

US00D548624S

(12) **United States Design Patent**  
**Yamamoto et al.**

(10) **Patent No.:** **US D548,624 S**

(45) **Date of Patent:** **\*\* Aug. 14, 2007**

(54) **WATCH CASE**

(75) Inventors: **Yasushi Yamamoto**, Fussa (JP);  
**Tatsuya Kubo**, Iruma (JP); **Masao Wada**, Machida (JP)

(73) Assignee: **Casio Keisanki Kabushiki Kaisha**,  
Tokyo (JP)

(\*\*) Term: **14 Years**

(21) Appl. No.: **29/270,300**

(22) Filed: **Dec. 19, 2006**

(51) **LOC (8) Cl.** ..... **10-02**

(52) **U.S. Cl.** ..... **D10/38**

(58) **Field of Classification Search** ..... D10/30-39;  
368/276, 277, 281, 282, 285, 29-30, 80,  
368/82-84, 223, 228, 239-242, 232, 21,  
368/28

See application file for complete search history.

(56) **References Cited**

**U.S. PATENT DOCUMENTS**

D278,685 S \* 5/1985 Suzuki et al. .... D10/38  
D279,081 S \* 6/1985 Suzuki et al. .... D10/38  
D304,305 S \* 10/1989 Morishima ..... D10/38  
D309,577 S \* 7/1990 Takeichi ..... D10/39

D358,998 S \* 6/1995 Sugita ..... D10/31  
D370,639 S \* 6/1996 Morishima et al. .... D10/38  
D390,789 S \* 2/1998 Sugita et al. .... D10/30  
D391,862 S \* 3/1998 Sugisawa et al. .... D10/30  
D396,416 S \* 7/1998 Sugita et al. .... D10/30  
D427,918 S \* 7/2000 Nakai et al. .... D10/31  
D525,881 S \* 8/2006 Shiraishi et al. .... D10/38

\* cited by examiner

*Primary Examiner*—Lucy Lieberman

(74) *Attorney, Agent, or Firm*—Frishauf, Holtz, Goodman &  
Chick, P.C.

(57) **CLAIM**

The ornamental design for a watch case, as shown.

**DESCRIPTION**

FIG. 1 is a front, right side, bottom perspective view of a watch case showing our new design;

FIG. 2 is a front elevational view thereof;

FIG. 3 is a rear elevational view thereof;

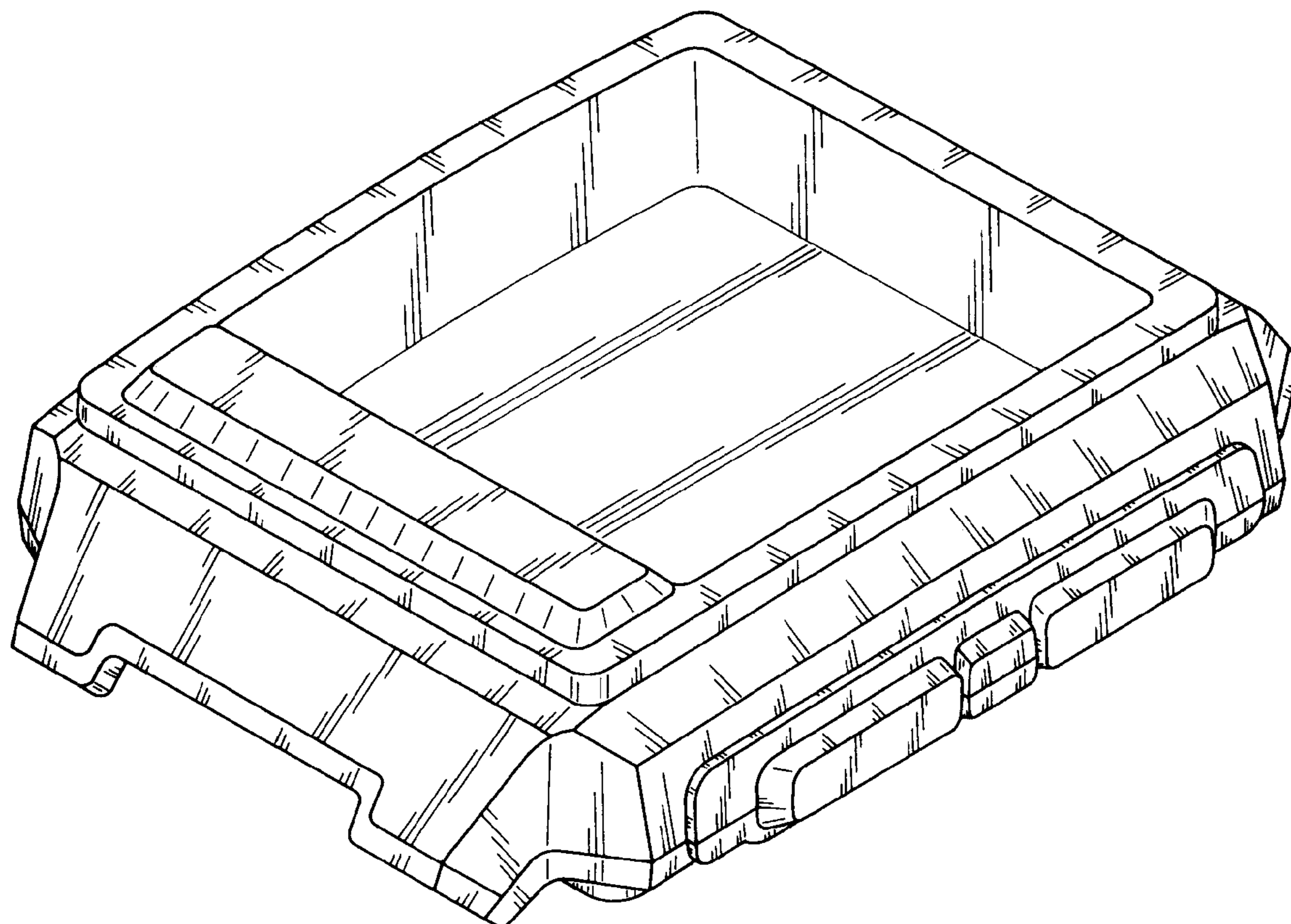
FIG. 4 is a left side view thereof;

FIG. 5 is a right side view thereof;

FIG. 6 is a top plan view thereof; and,

FIG. 7 is a bottom plan view thereof.

**1 Claim, 6 Drawing Sheets**



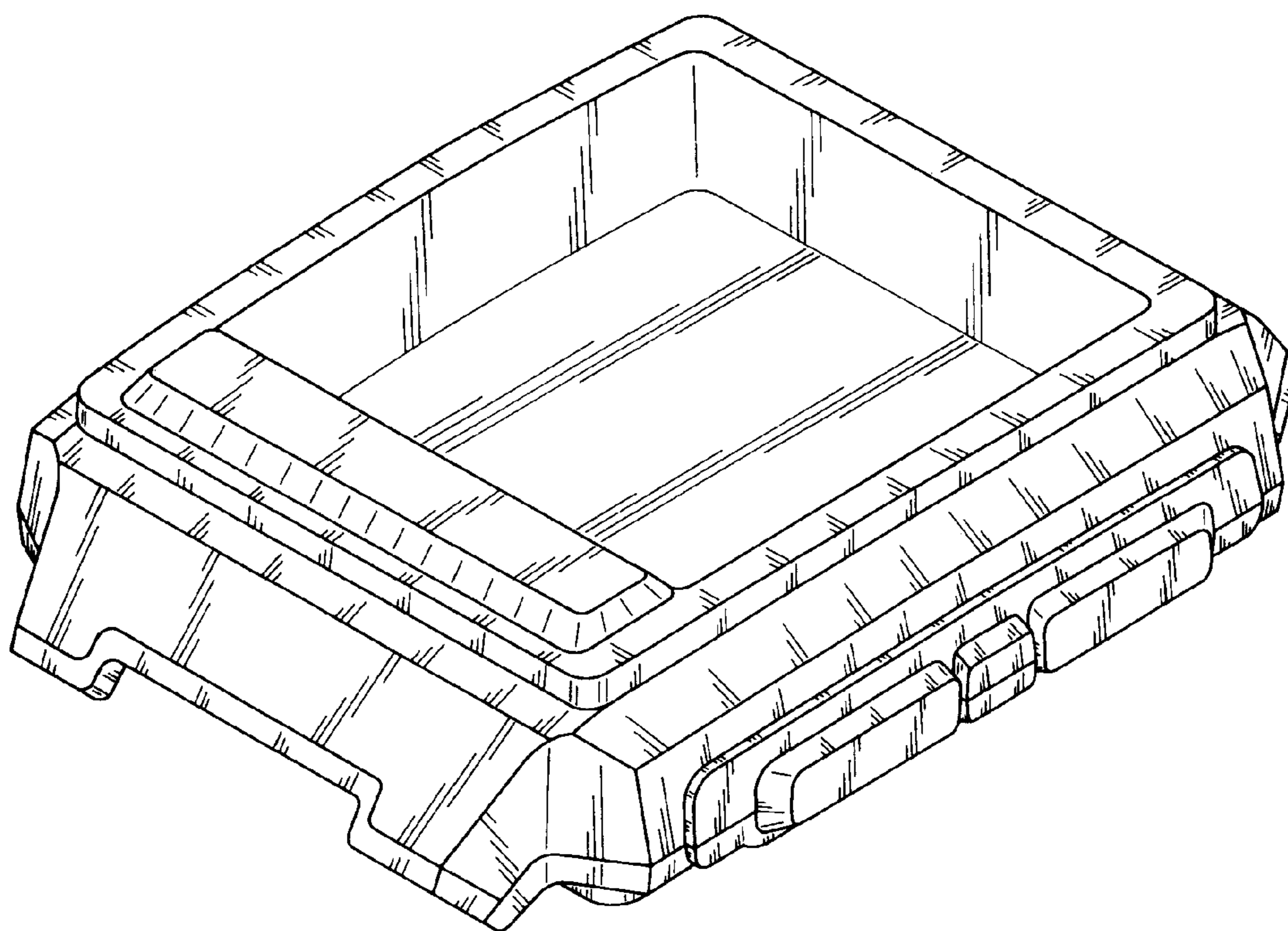


FIG. 1

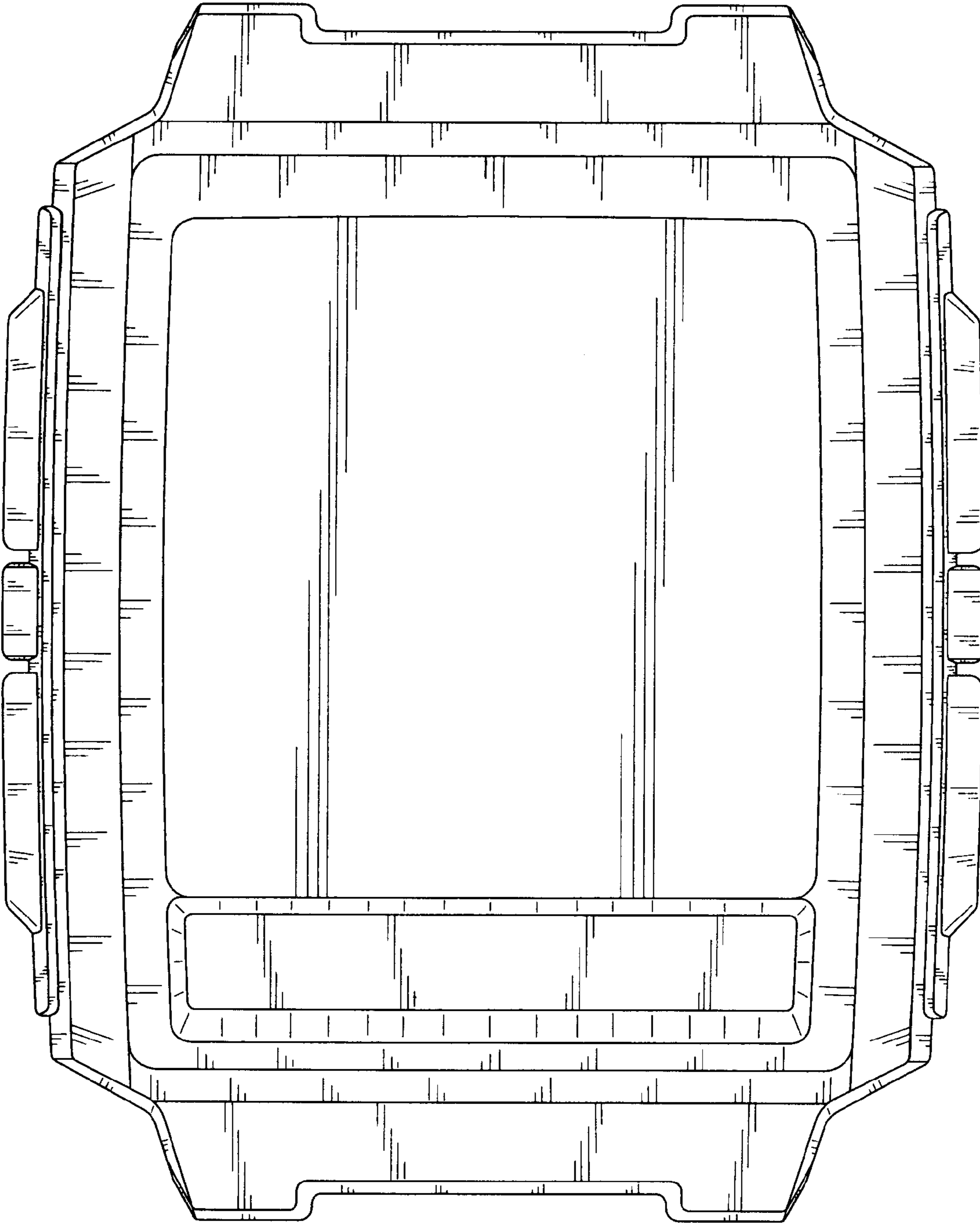


FIG. 2

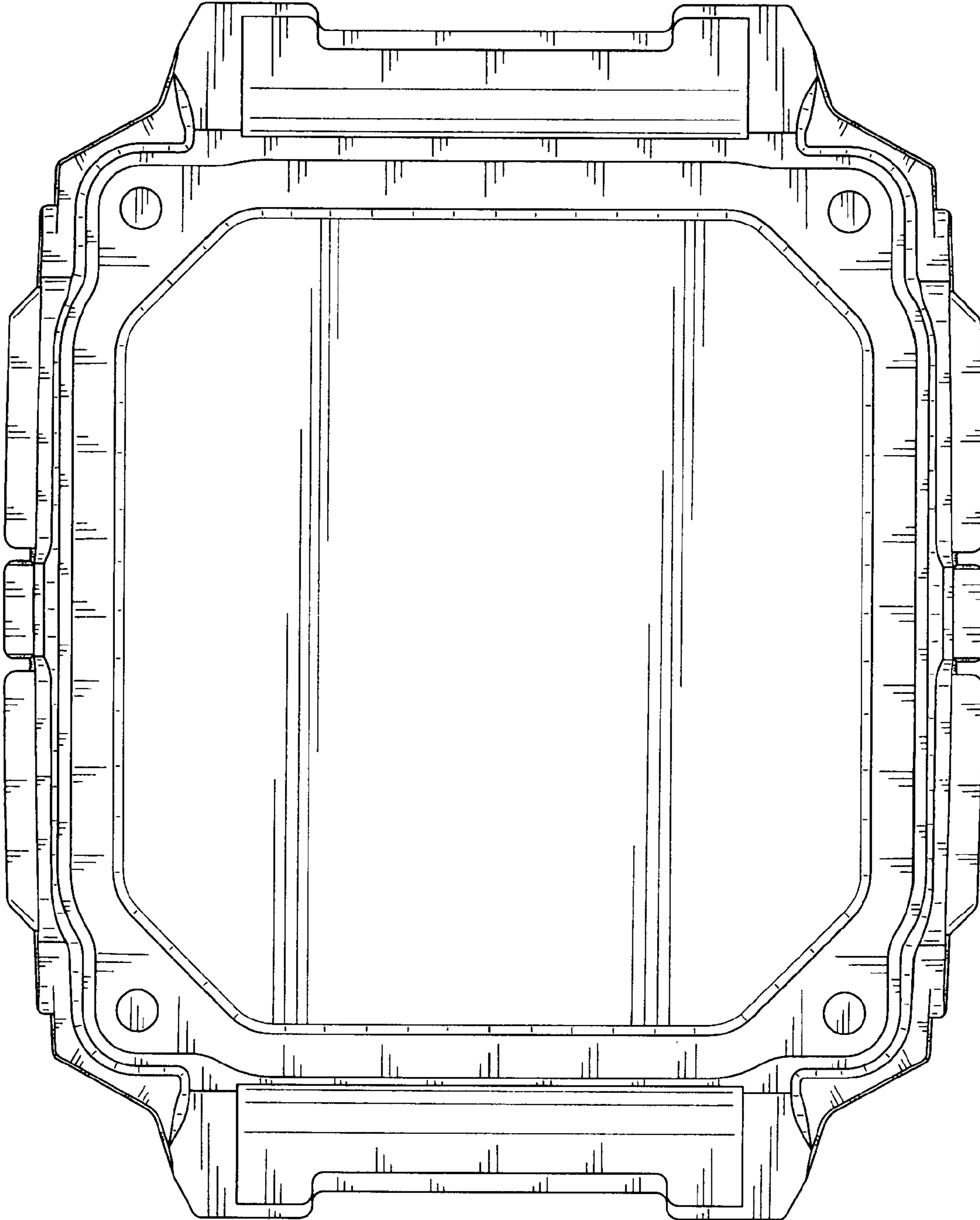


FIG. 3

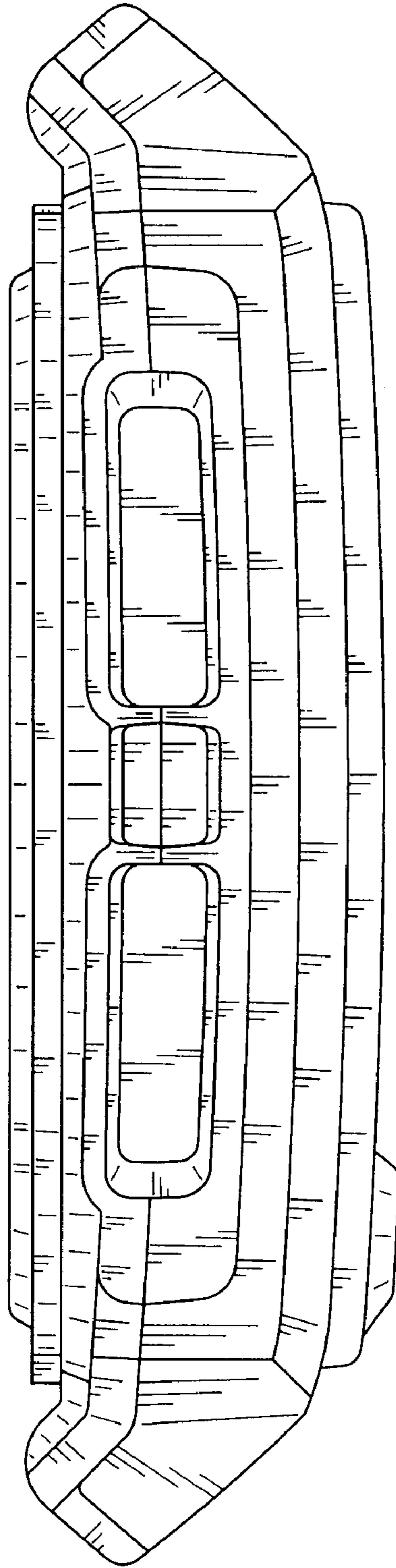


FIG. 4

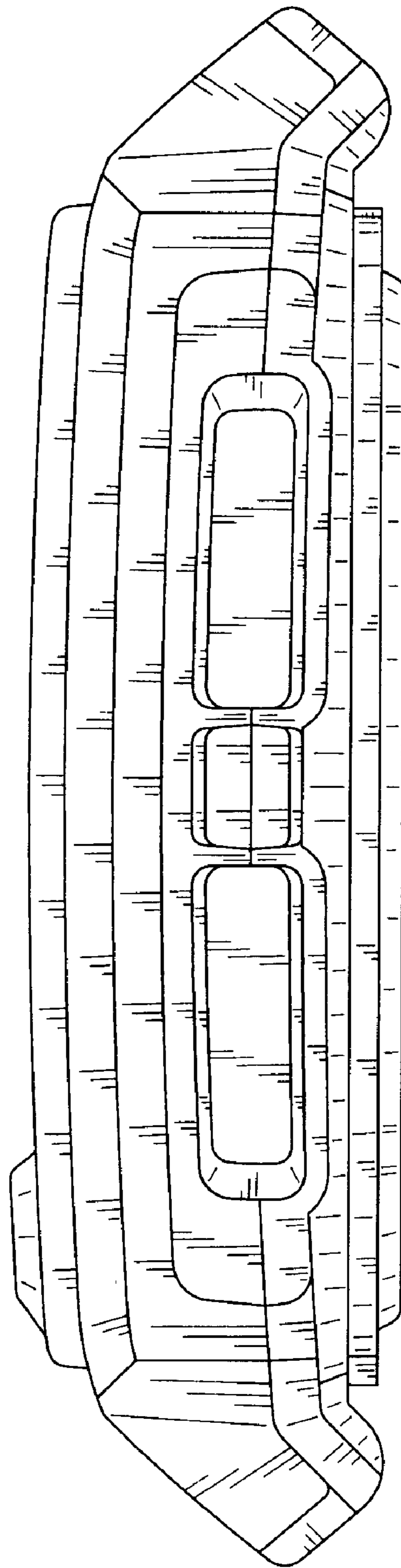


FIG. 5

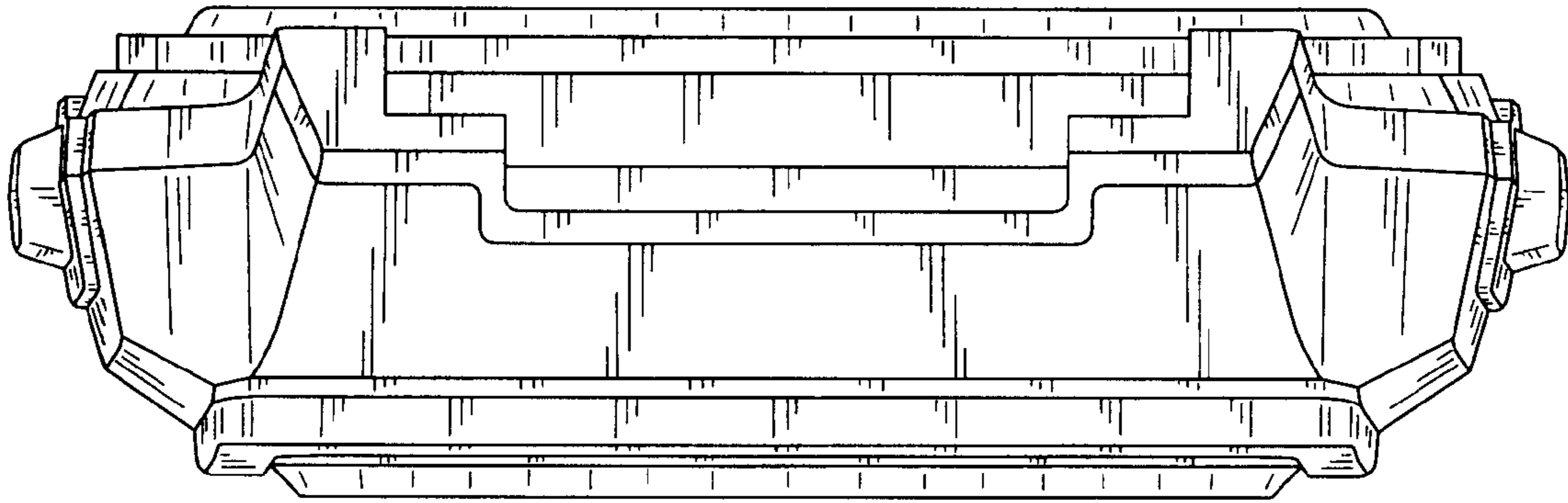


FIG. 6

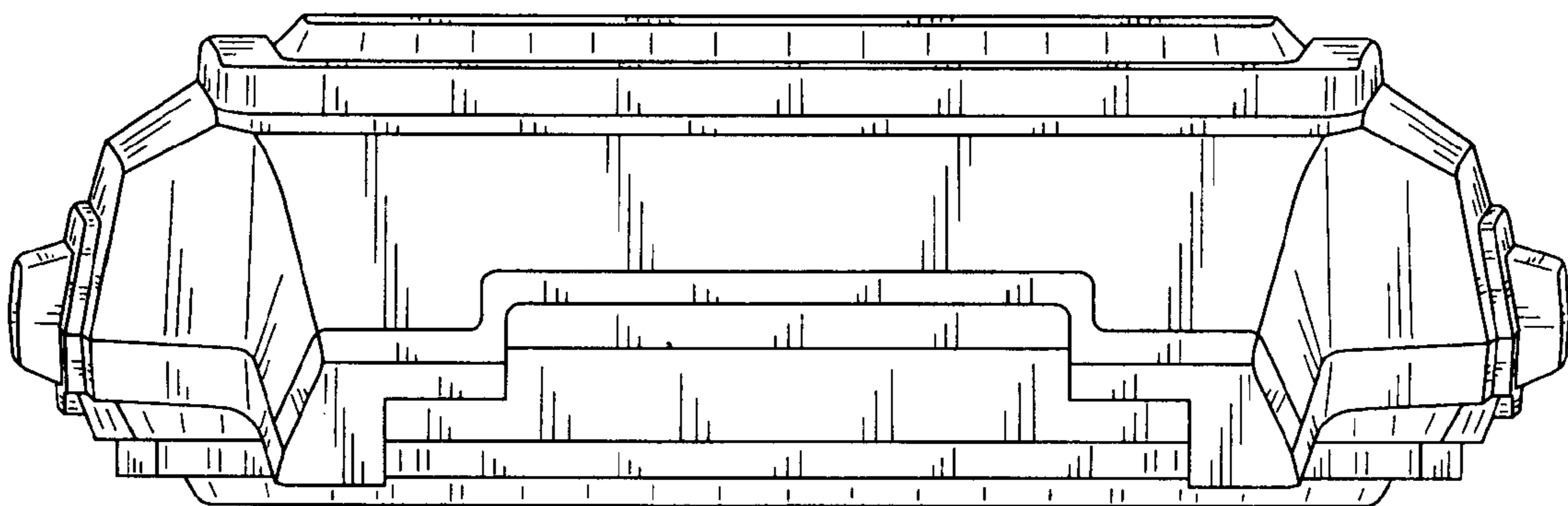


FIG. 7