



US00D548619S

(12) **United States Design Patent** (10) **Patent No.:** **US D548,619 S**
Ferguson et al. (45) **Date of Patent:** **** Aug. 14, 2007**

(54) **ZINC-AIR HEARING AID BATTERY PACKAGE**

JP	2004059124	2/2004
JP	2004099122	4/2004
JP	2004207147	7/2004
JP	2004214047	7/2004
JP	2004338743	12/2004

(75) Inventors: **Mark A. Ferguson**, Memphis, NY (US); **Andrew C. Schweitzer**, Syracuse, NY (US)

OTHER PUBLICATIONS

(73) Assignee: **Eveready Battery Company, Inc.**, St. Louis, MO (US)

Exhibit A, two pages, photographs entitled "Energizer Zinc/Silver Oxide Batteries in Package" sold prior to Oct. 9, 2006.

(**) Term: **14 Years**

(Continued)

(21) Appl. No.: **29/250,923**

Primary Examiner—Stella Reid
Assistant Examiner—Shanda C. Hill

(22) Filed: **Dec. 6, 2006**

(74) *Attorney, Agent, or Firm*—Russell H. Toye, Jr.

(51) **LOC (8) Cl.** **09-01**

(57) **CLAIM**

(52) **U.S. Cl.** **D9/732; D9/722; D9/715**

We claim the ornamental design for a zinc-air hearing aid battery package, as shown and described.

(58) **Field of Classification Search** D9/715, D9/722, 730–733, 737, 756, 759, 760, 762, D9/414, 415, 418, 424–427, 457; D6/512, D6/515; D3/201, 203.1–203.4; 206/5, 5.1, 206/45.12, 461, 469, 528, 531, 532, 538, 206/557, 566, 564, 565; 220/500; 221/303, 221/312 C, 312 R; 222/1, 71, 173, 630, 222/631

DESCRIPTION

See application file for complete search history.

FIG. 1 is a perspective view of a zinc-air hearing aid battery package;
FIG. 2 is a front view thereof;
FIG. 3 is a rear view thereof;
FIG. 4 is a left side view thereof;
FIG. 5 is a right side view thereof;
FIG. 6 is a top view thereof; and,
FIG. 7 is a bottom view thereof.

(56) **References Cited**

U.S. PATENT DOCUMENTS

3,990,578 A	11/1976	Roeser	
4,243,144 A *	1/1981	Margulies	206/532
4,387,831 A	6/1983	McNally	

FIGS. 2 through 7 are shown on an enlarged scale.

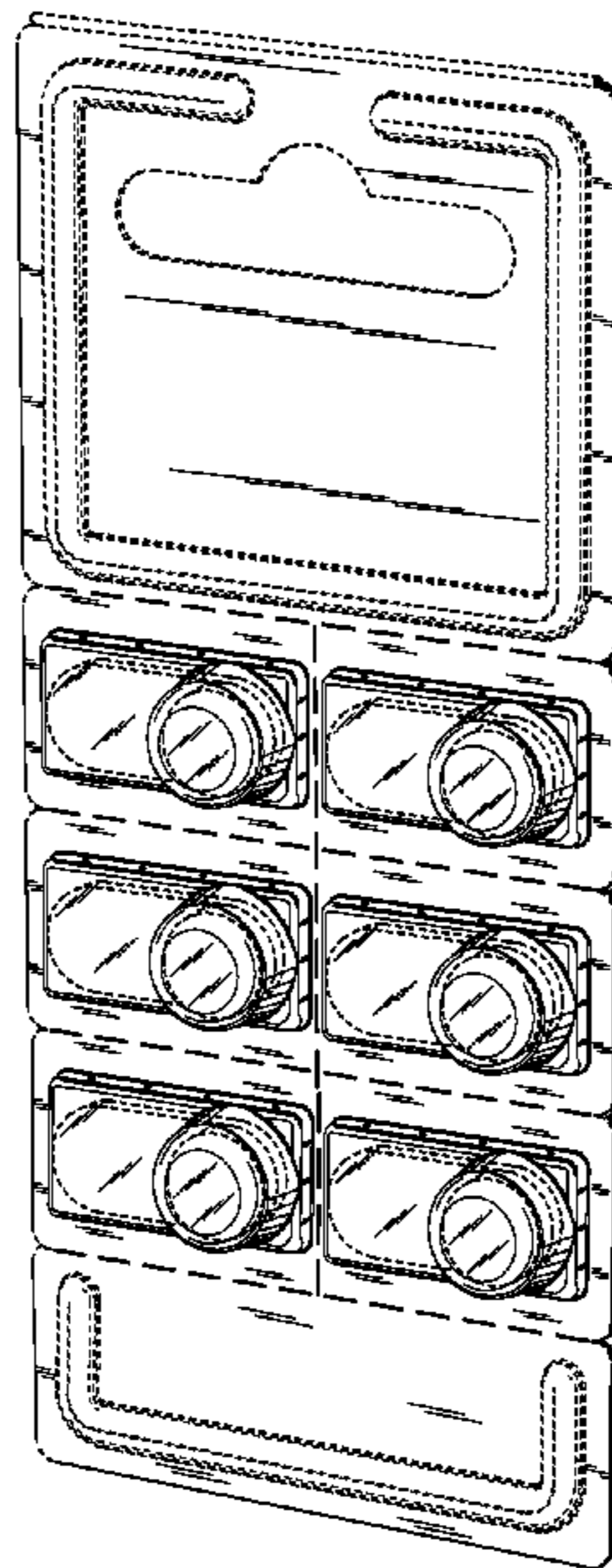
(Continued)

FOREIGN PATENT DOCUMENTS

FR	2491885	4/1982
JP	2002012263	1/2002

The broken lines shown in the drawing disclosure are for illustrative purposes only and form no part of the claimed design. The longer dashed lines are meant to represent perforation.

1 Claim, 5 Drawing Sheets



US D548,619 S

Page 2

U.S. PATENT DOCUMENTS

4,696,402 A 9/1987 Harmon et al.
4,860,890 A 8/1989 Cerny et al.
5,033,616 A 7/1991 Wyser
5,046,618 A * 9/1991 Wood 206/532
D337,046 S * 7/1993 Fuller et al. D9/732
D387,977 S * 12/1997 Kallgren D9/732
5,839,583 A 11/1998 Pope et al.
5,911,325 A 6/1999 Breitler
5,957,358 A 9/1999 Getz et al.
D454,300 S 3/2002 Pirro et al.
D454,783 S 3/2002 Pirro et al.
D456,249 S * 4/2002 Pearson et al. D9/415
6,439,390 B1 8/2002 Kumakura et al.
D479,688 S * 9/2003 Kumakura et al. D9/457
6,615,986 B2 9/2003 Pirro et al.
D482,970 S * 12/2003 Kumakura et al. D9/457

D518,737 S * 4/2006 Zalzal D9/732
7,063,211 B2 6/2006 Williams-Hartman
7,093,716 B2 * 8/2006 Intini 206/532
D531,021 S * 10/2006 Ashby et al. D9/415
2004/0222122 A1 * 11/2004 Intini 206/532
2005/0023180 A1 * 2/2005 Intini 206/532
2005/0103680 A1 5/2005 Nakatsu et al.
2006/0081495 A1 * 4/2006 Killinger 206/532
2006/0124506 A1 6/2006 Fuchs et al.

OTHER PUBLICATIONS

Exhibit B, two pages, photographs entitled "Energizer Zinc/Silver Oxide Batteries in Package" sold prior to Oct. 9, 2006.

Exhibit C, two pages, photographs entitled "Energizer Lithium/Manganese Dioxide Batteries in Package" sold prior to Oct. 9, 2006.

* cited by examiner

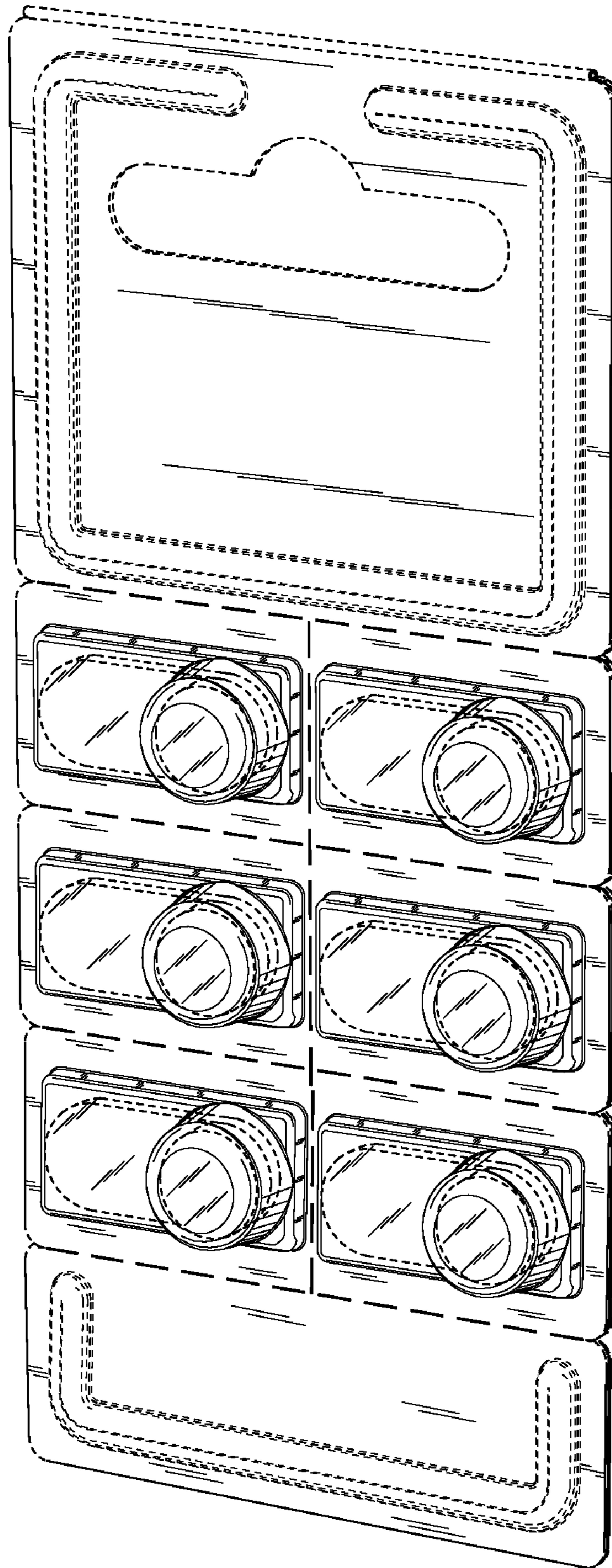


FIG. 1

FIG. 2

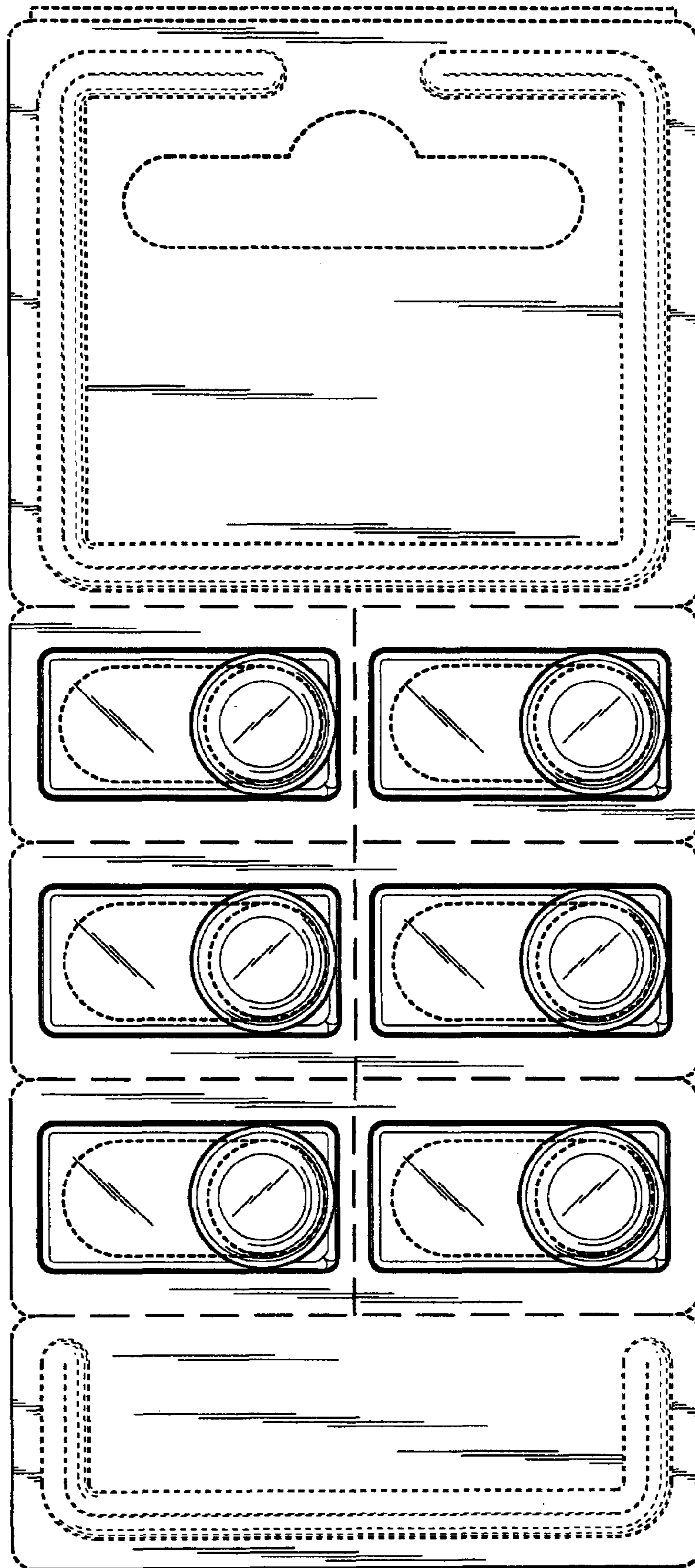


FIG. 3

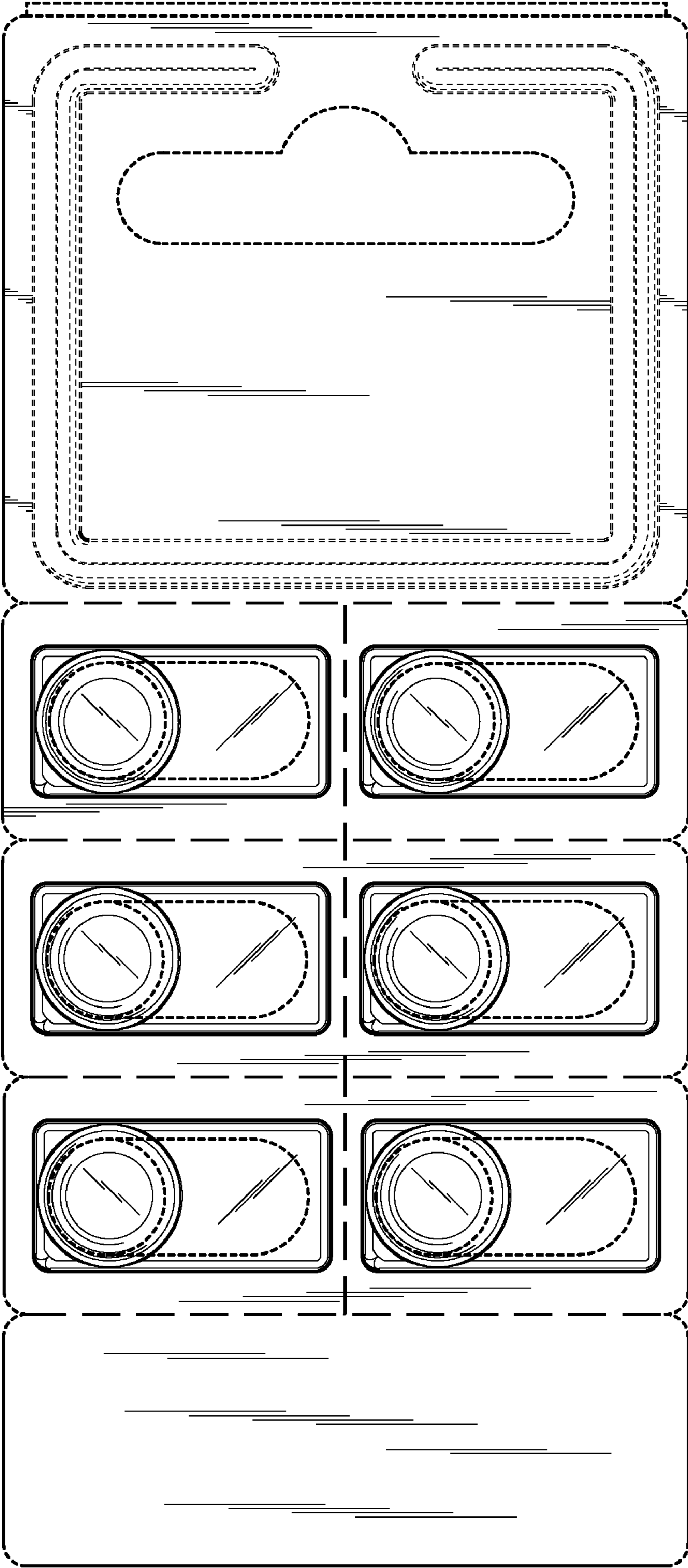


FIG. 4

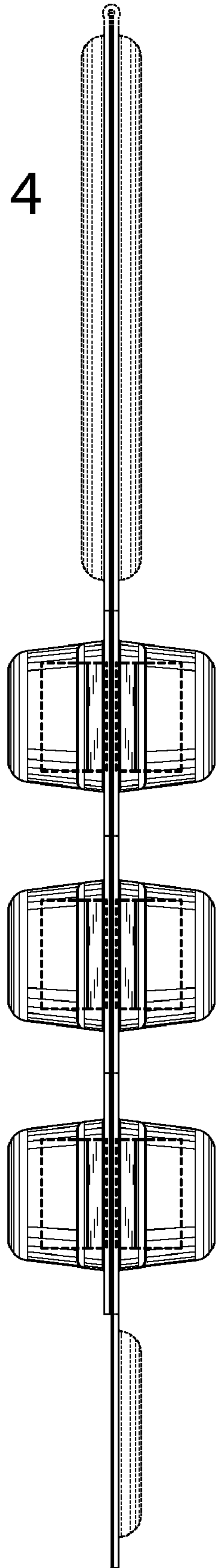


FIG. 5

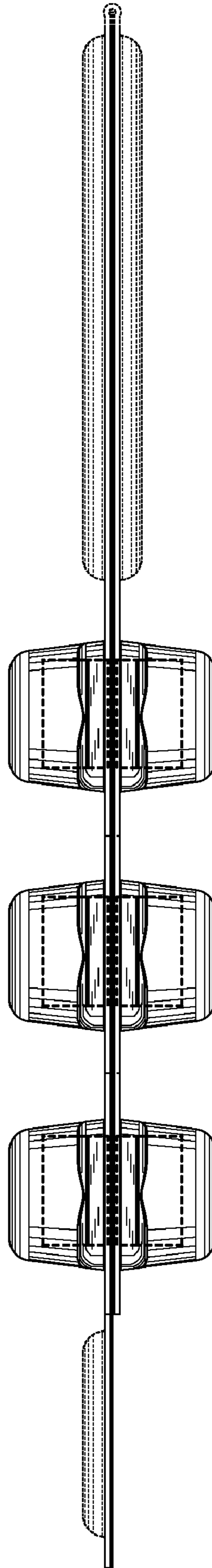


FIG. 6

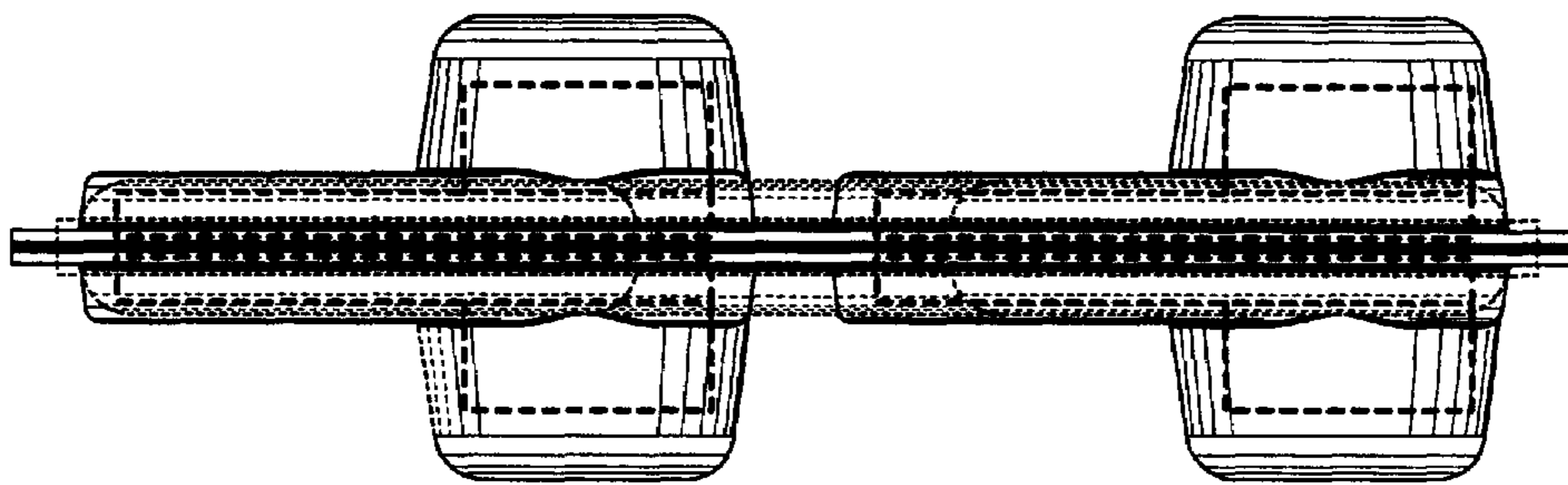


FIG. 7

