



US00D548615S

(12) **United States Design Patent**
Ristic et al.

(10) **Patent No.:** **US D548,615 S**
(45) **Date of Patent:** **** Aug. 14, 2007**

(54) **TRIANGLE CANDY CART BOX WITH INSIDE BLISTER PACKAGE**

D455,344 S * 4/2002 Assargren et al. D9/732
D455,345 S * 4/2002 Assargren et al. D9/732
D455,953 S * 4/2002 Assargren et al. D9/732
2004/0188311 A1* 9/2004 Paliotta et al. 206/531

(76) Inventors: **Milos Ristic**, 8360 Camino Sante Fe, Suite C, San Diego, CA (US) 92121;
Marko Lekic, 8360 Camino Sante Fe, Suite C, San Diego, CA (US) 92121

* cited by examiner

Primary Examiner—Stella Reid
Assistant Examiner—Shanda C. Hill

(**) Term: **14 Years**

(21) Appl. No.: **29/249,614**

(57) **CLAIM**

(22) Filed: **Oct. 13, 2006**

The ornamental design for a triangle candy cart box with inside blister package, as shown and described.

(51) **LOC (8) Cl.** **09-01**

(52) **U.S. Cl.** **D9/732**

(58) **Field of Classification Search** D9/730–733,
D9/737, 756, 757, 758, 761, 762, 414, 428,
D9/430, 432; D24/121; D6/512, 515; D3/201,
D3/203.1, 203.2, 203.3, 203.4; 206/461,
206/528, 531, 532, 538, 557; 220/500; 128/830
See application file for complete search history.

DESCRIPTION

FIG. 1 is a perspective view of a triangle candy cart box with inside blister package, showing our new design;
FIG. 2 is a rear elevational view of the invention;
FIG. 3 is a front elevational view of the invention;
FIG. 4 is a left-side elevational view of the invention;
FIG. 5 is a right-side elevational view of the invention;
FIG. 6 is a top plan view of the invention; and,
FIG. 7 is a bottom plan view of the invention.

(56) **References Cited**

U.S. PATENT DOCUMENTS

D320,930 S * 10/1991 Richards D9/732
D444,379 S * 7/2001 Assargren et al. D9/732
D454,781 S * 3/2002 Assargren et al. D9/732

1 Claim, 2 Drawing Sheets

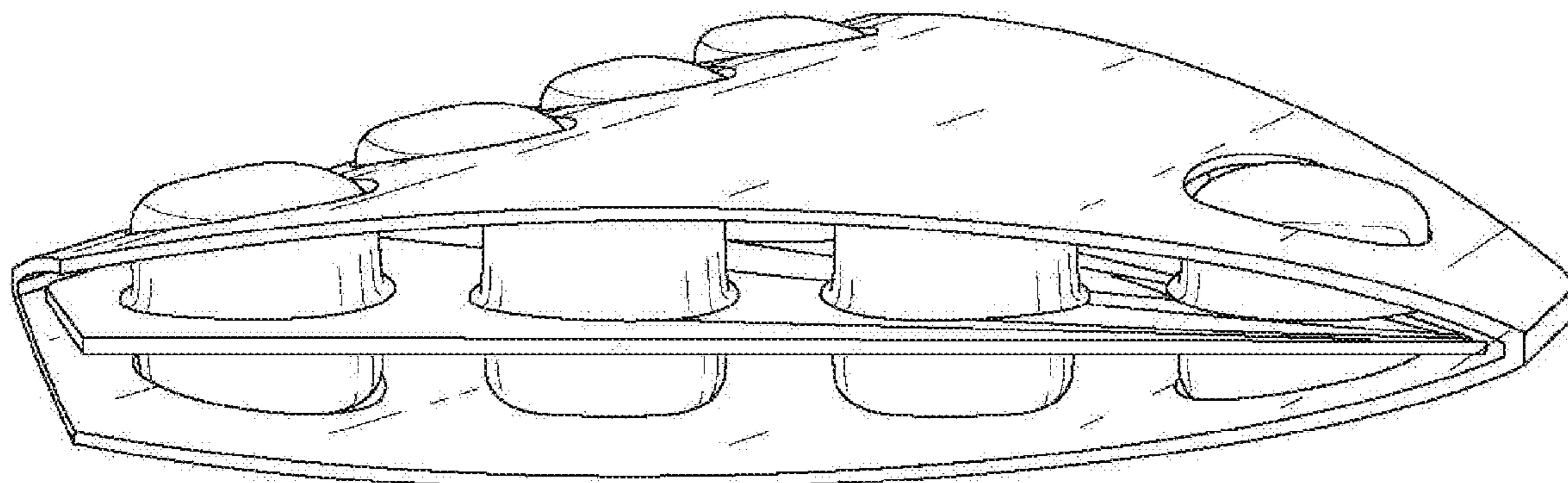


Fig. 1

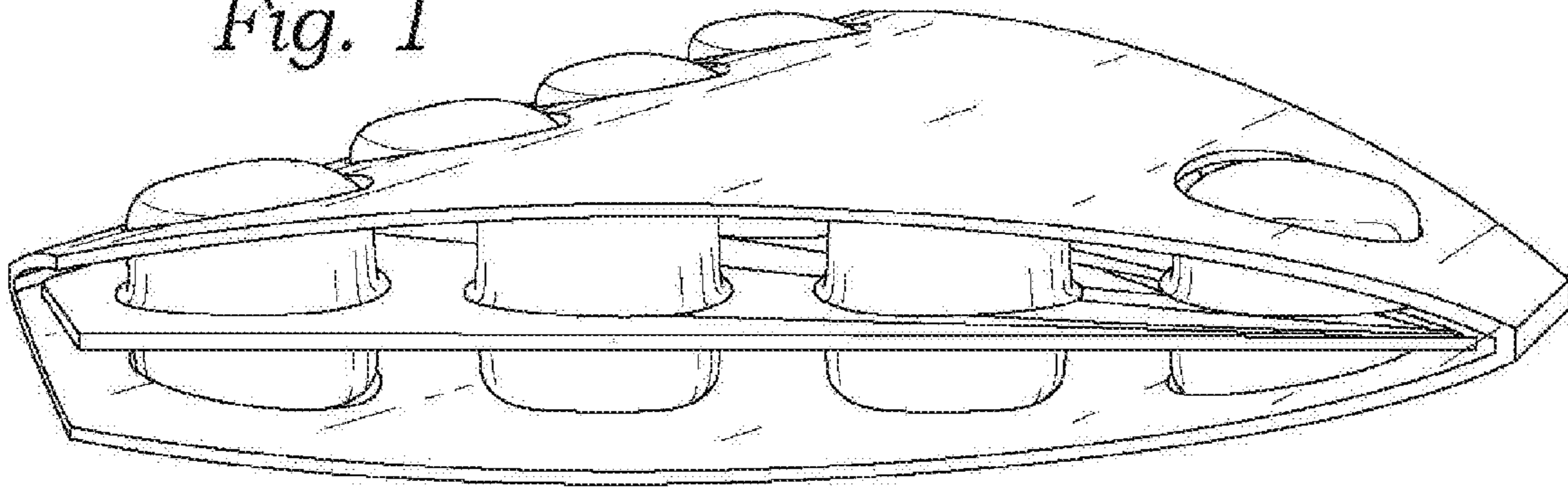


Fig. 2

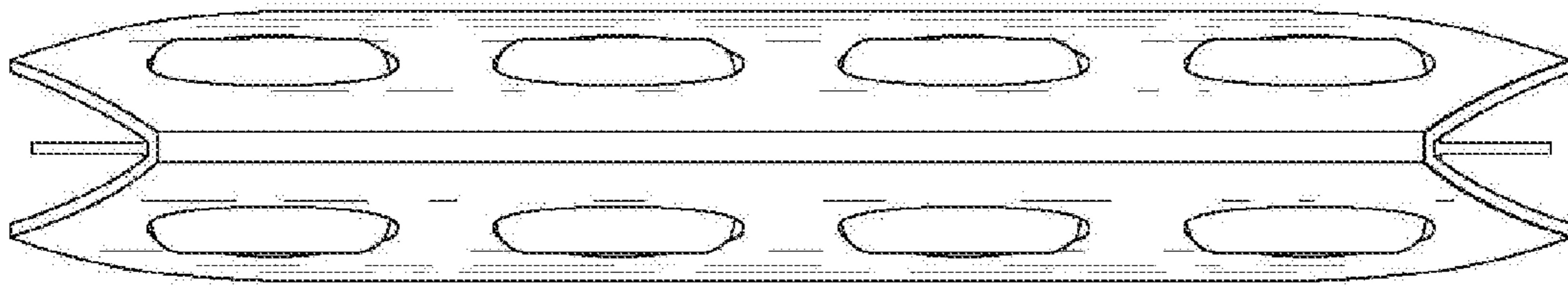


Fig. 3

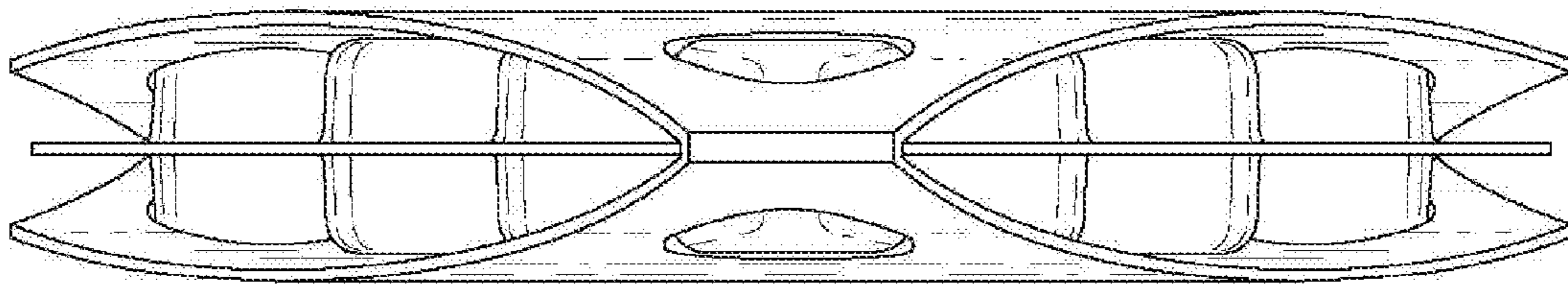


Fig. 4

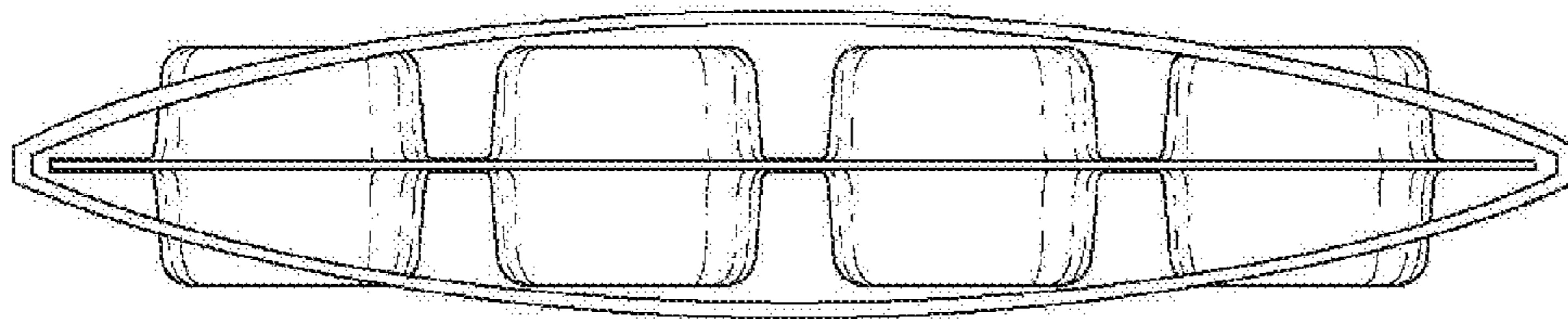
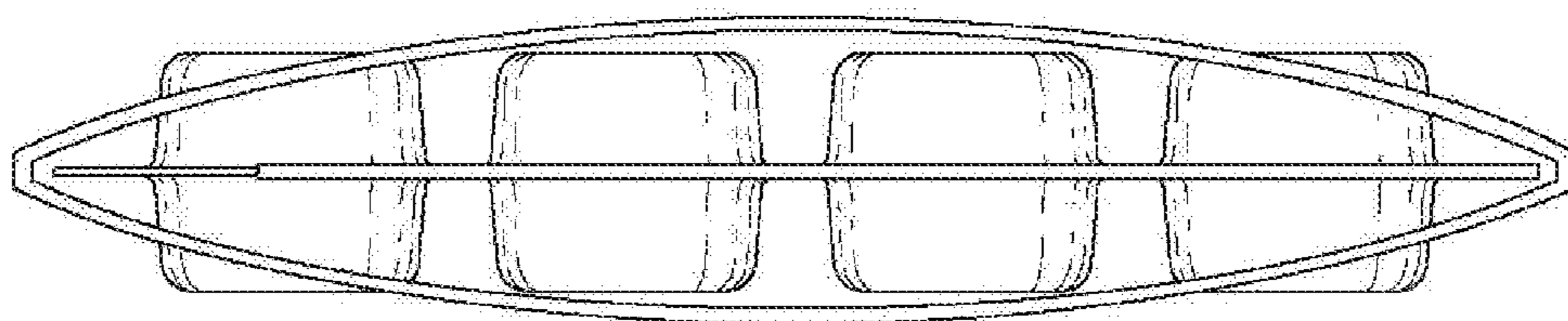


Fig. 5



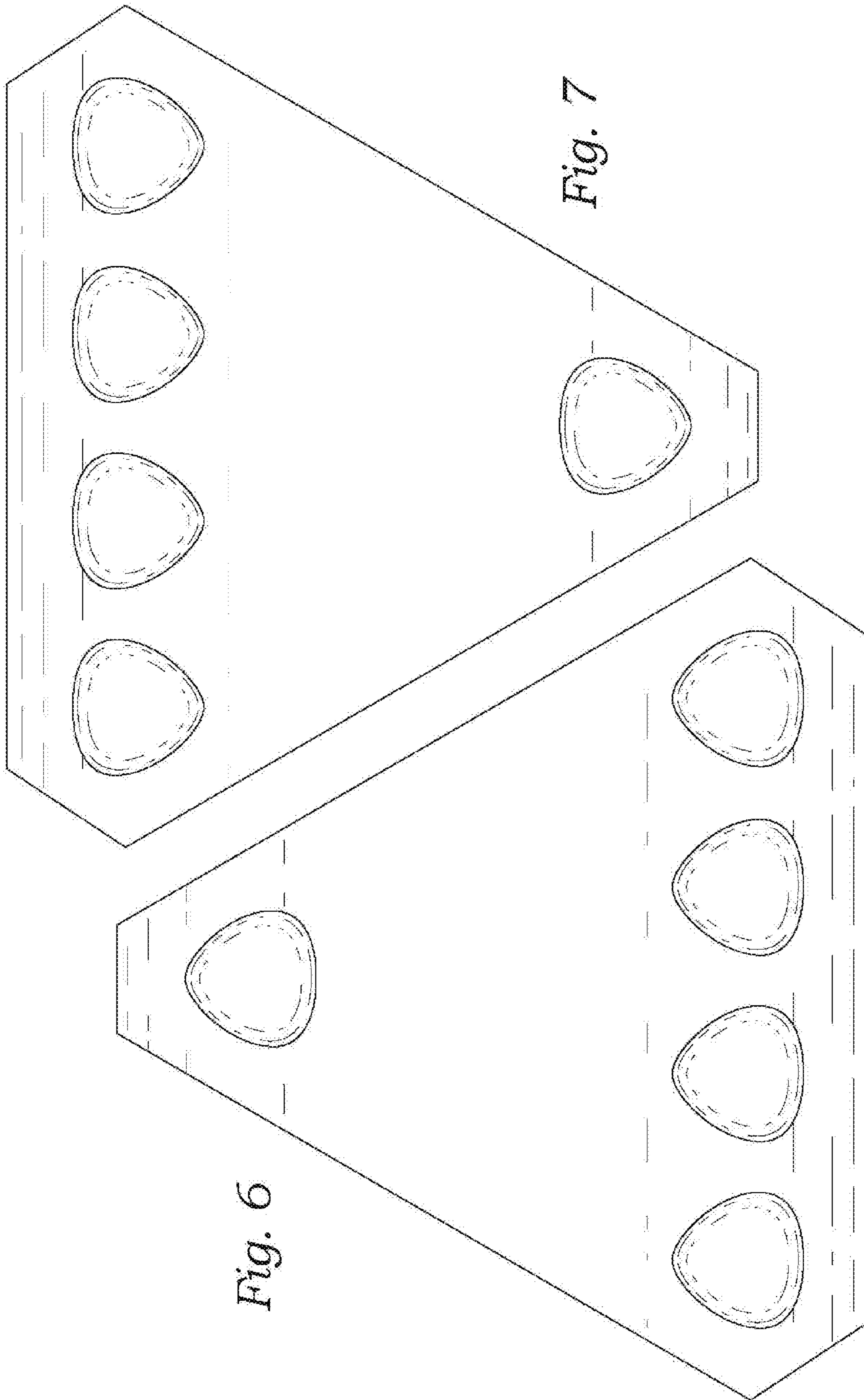


Fig. 6

Fig. 7