

US00D548614S

(12) **United States Design Patent**
Chin et al.

(10) **Patent No.:** **US D548,614 S**

(45) **Date of Patent:** **** Aug. 14, 2007**

(54) **BOX FOR COSMETICS**

D374,774 S 10/1996 Cassel
5,699,912 A 12/1997 Ishikawa et al.
5,772,059 A 6/1998 McCord
D414,637 S 10/1999 Amundson et al.
D421,901 S 3/2000 Hill

(75) Inventors: **Henry Young Chin**, Portland, OR
(US); **Niklas Gustavsson**, Portland, OR
(US); **Michael Remus**, Heidelberg
(DE); **Martin Zethoff**, Kelkheim (DE)

(Continued)

(73) Assignee: **The Procter & Gamble Company**,
Cincinnati, OH (US)

Primary Examiner—Stella Reid
Assistant Examiner—Shanda C. Hill

(**) Term: **14 Years**

(74) *Attorney, Agent, or Firm*—Sarah Ann Dressel; Matthew
P. Fitzpatrick; Ken K. Patel

(21) Appl. No.: **29/242,799**

(57) **CLAIM**

(22) Filed: **Nov. 15, 2005**

The ornamental design for a box for cosmetics, as shown
and described.

(30) **Foreign Application Priority Data**

Jun. 23, 2004 (EM) 000193131

DESCRIPTION

(51) **LOC (8) Cl.** **09-01**

FIG. 1 is a perspective view showing our design;

(52) **U.S. Cl.** **D9/731**

FIG. 2 is a front elevation view of the box for cosmetics of
FIG. 1;

(58) **Field of Classification Search** D9/730,
D9/734, 736, 414, 420–425, 430, 432, 512,
D9/515, 518, 523; D3/903; 206/384, 494;
221/33, 45, 63, 282, 244; 222/92, 99, 101,
222/526, 528, 532, 541.1, 542, 564

FIG. 3 is a rear elevation view of the box for cosmetics of
FIG. 1;

See application file for complete search history.

FIG. 4 is a left side elevation view of the box for cosmetics
of FIG. 1;

(56) **References Cited**

FIG. 5 is a right side elevation view of the box for cosmetics
of FIG. 1;

U.S. PATENT DOCUMENTS

3,967,756 A 7/1976 Barish
3,982,659 A 9/1976 Ross
3,994,417 A 11/1976 Boedecker
D244,583 S 6/1977 Barish
D249,470 S 9/1978 Kohn
D250,807 S 1/1979 McIvain
4,458,810 A 7/1984 Mahoney
D290,227 S 6/1987 Zutler
D295,830 S 5/1988 Holly
D295,961 S 5/1988 Holly
D330,765 S 11/1992 Laws

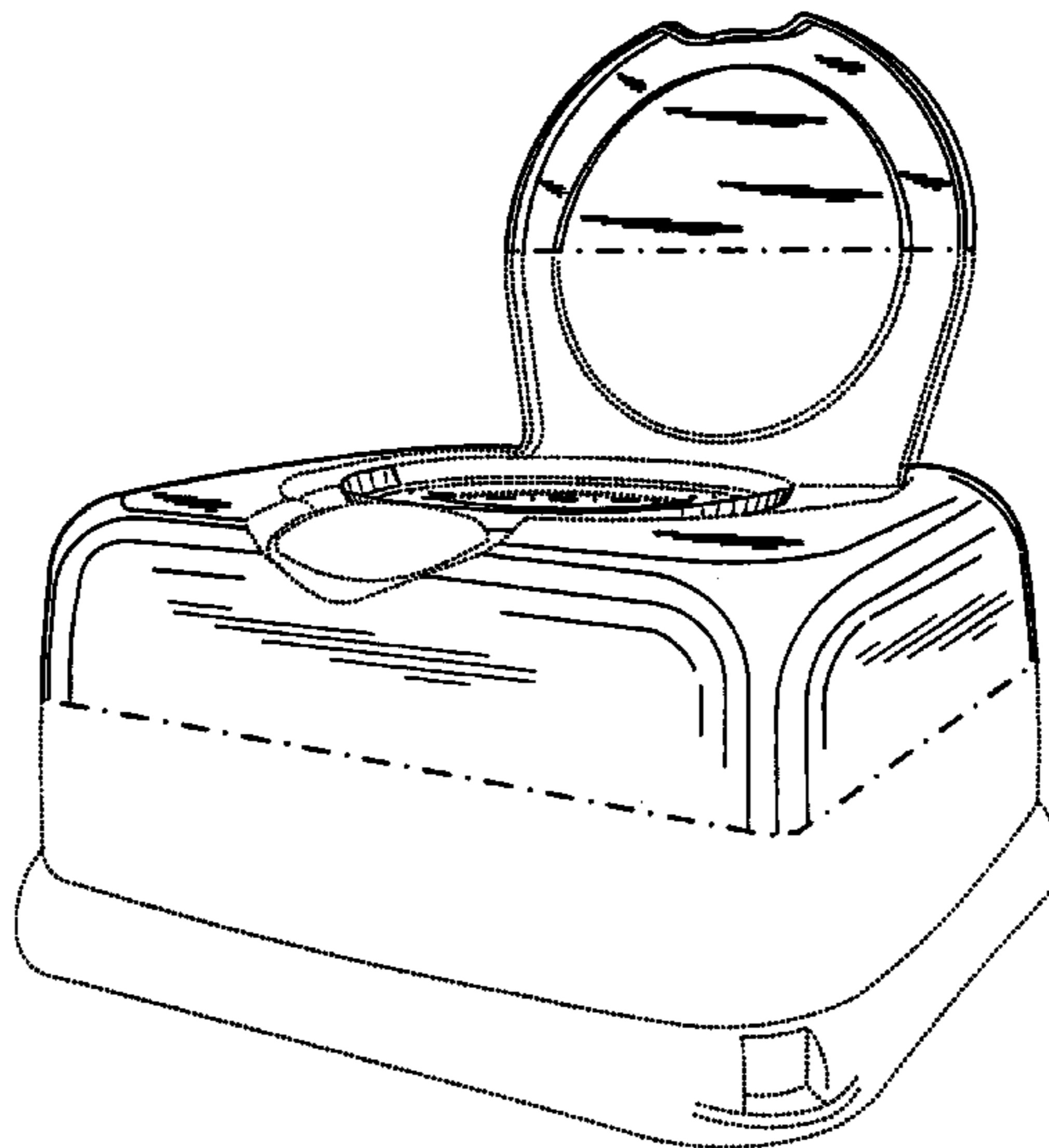
FIG. 6 is a top plan view of the box for cosmetics of FIG.
1; and,

FIG. 7 is a bottom plan view of the box for cosmetics of FIG.
1.

The broken lines shown in the drawing disclosure are for
illustrative purposes only and form no part of the claimed
design.

The broken line(s) which define the bounds of the claimed
design form no part thereof.

1 Claim, 7 Drawing Sheets



US D548,614 S

Page 2

U.S. PATENT DOCUMENTS

D442,081 S	5/2001	Paul		D473,740 S	4/2003	Ruhotas et al.	
D443,451 S	6/2001	Buck et al.		6,592,004 B2	7/2003	Huang et al.	
D443,508 S	6/2001	Braaten et al.		6,604,628 B1	8/2003	Tanaka et al.	
D444,063 S	6/2001	Buck et al.		D479,419 S	9/2003	White et al.	
D446,449 S *	8/2001	Conway	D9/420	D479,420 S	9/2003	White et al.	
D450,960 S	11/2001	Boyea et al.		D485,461 S	1/2004	Sams et al.	
D454,015 S *	3/2002	Okin et al.	D9/734	6,729,498 B2	5/2004	Yelton et al.	
6,394,298 B1	5/2002	Zaidman		6,766,919 B2	7/2004	Huang et al.	
D468,567 S	1/2003	Trevett et al.		D495,545 S *	9/2004	Niehues	D6/518
6,523,690 B1	2/2003	Buck et al.		D495,910 S *	9/2004	Zaidman	D6/518
D471,440 S	3/2003	Sams et al.		D498,623 S	11/2004	Sams et al.	

* cited by examiner

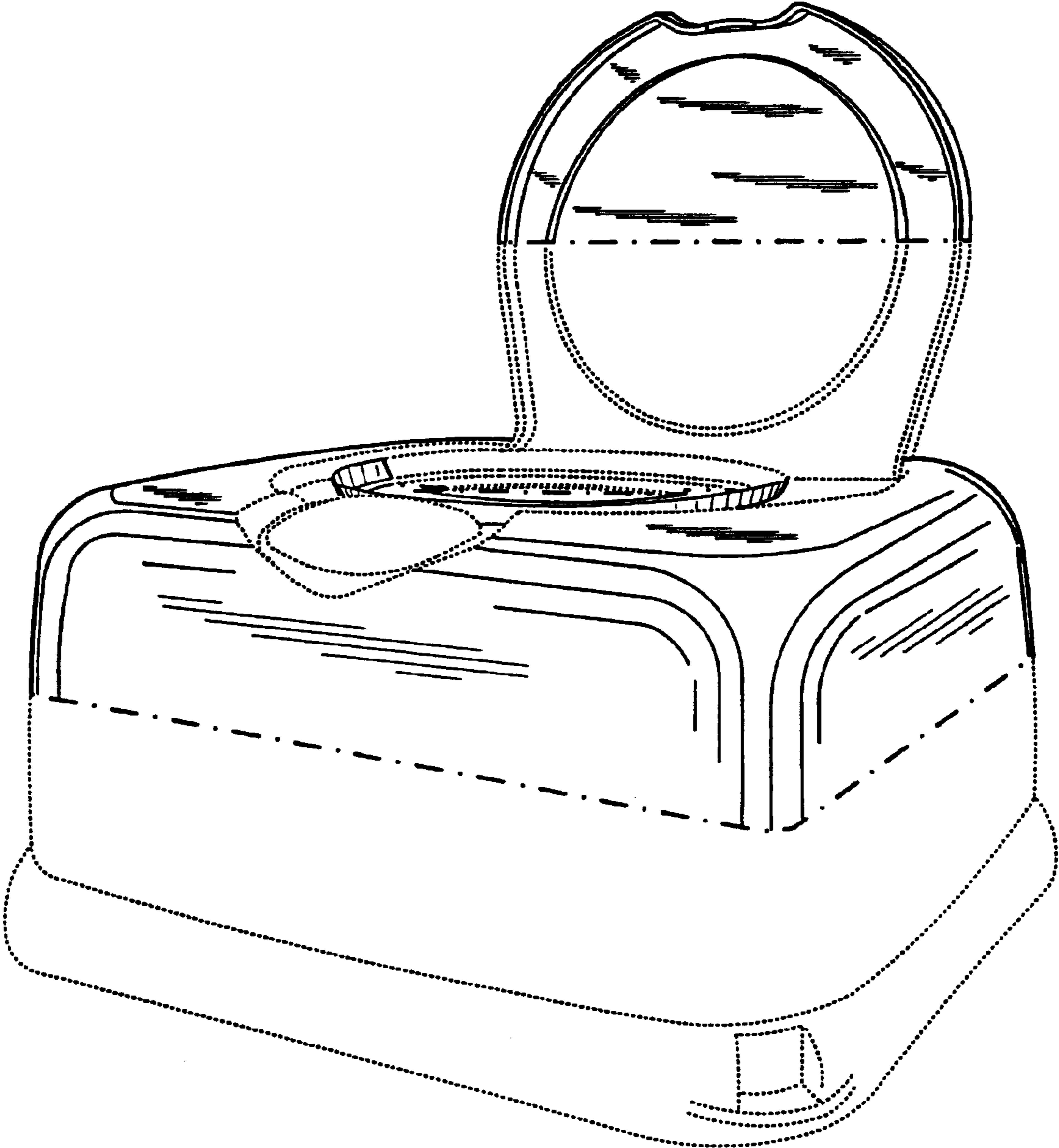


Fig. 1

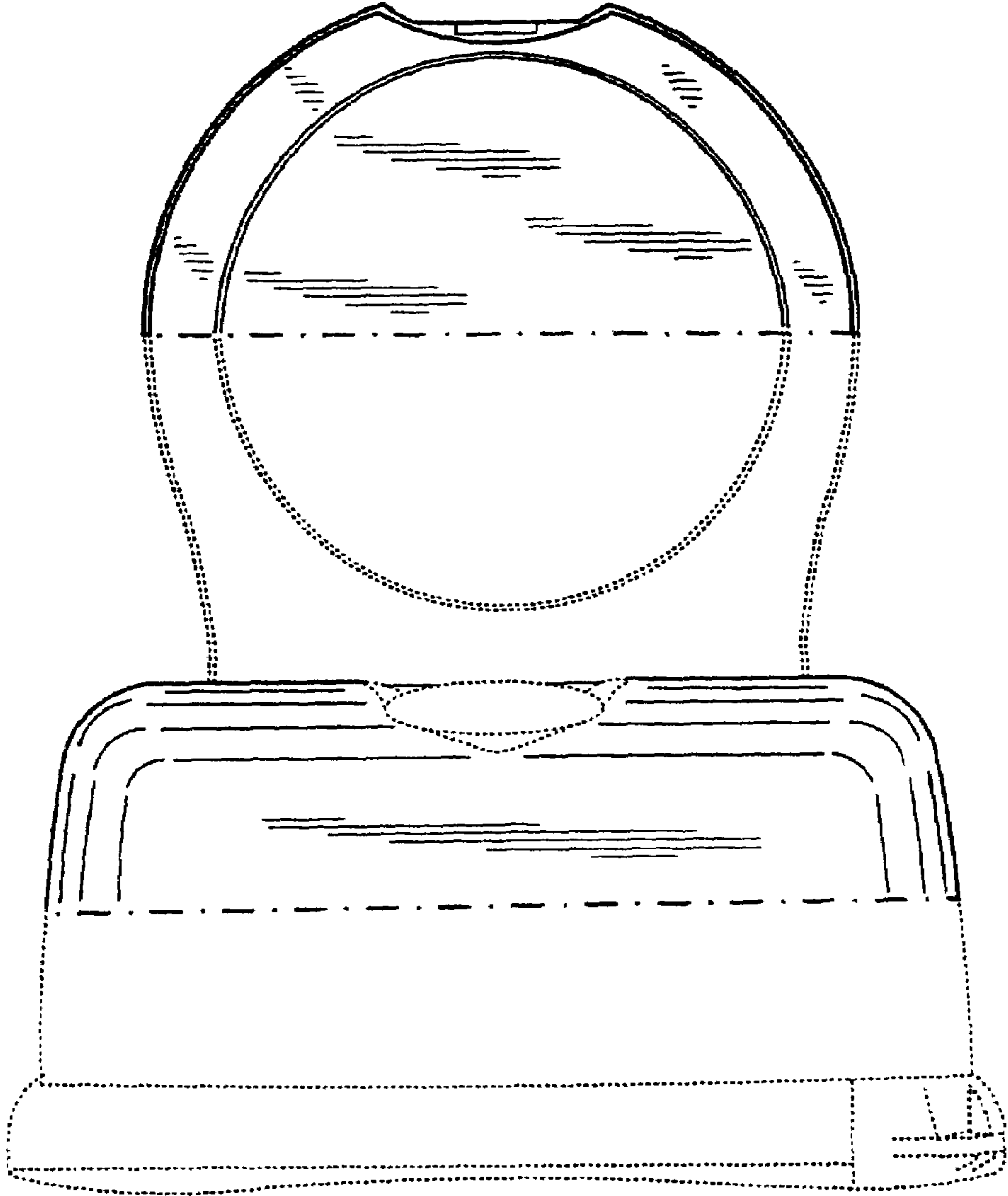


Fig. 2

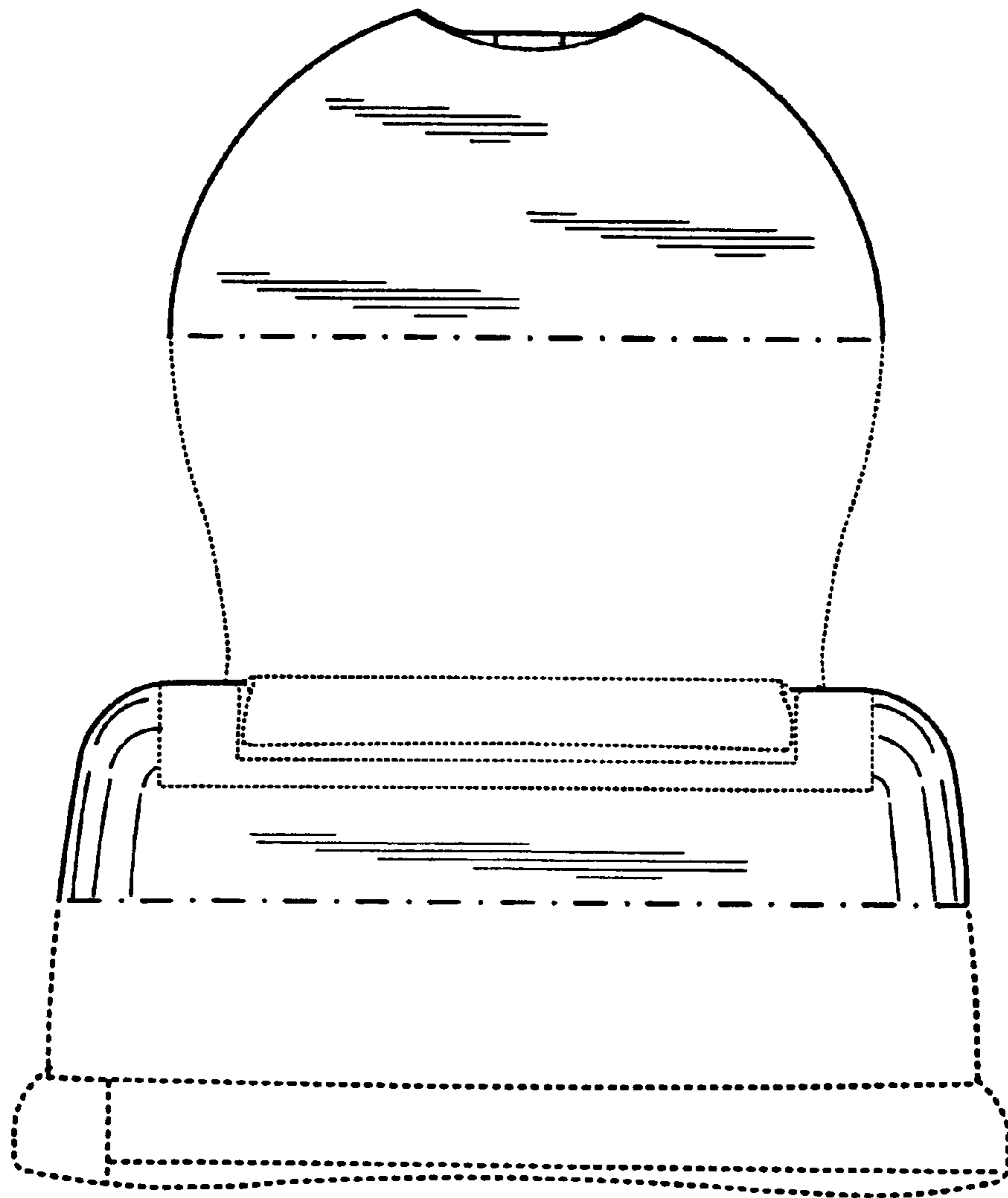


Fig. 3

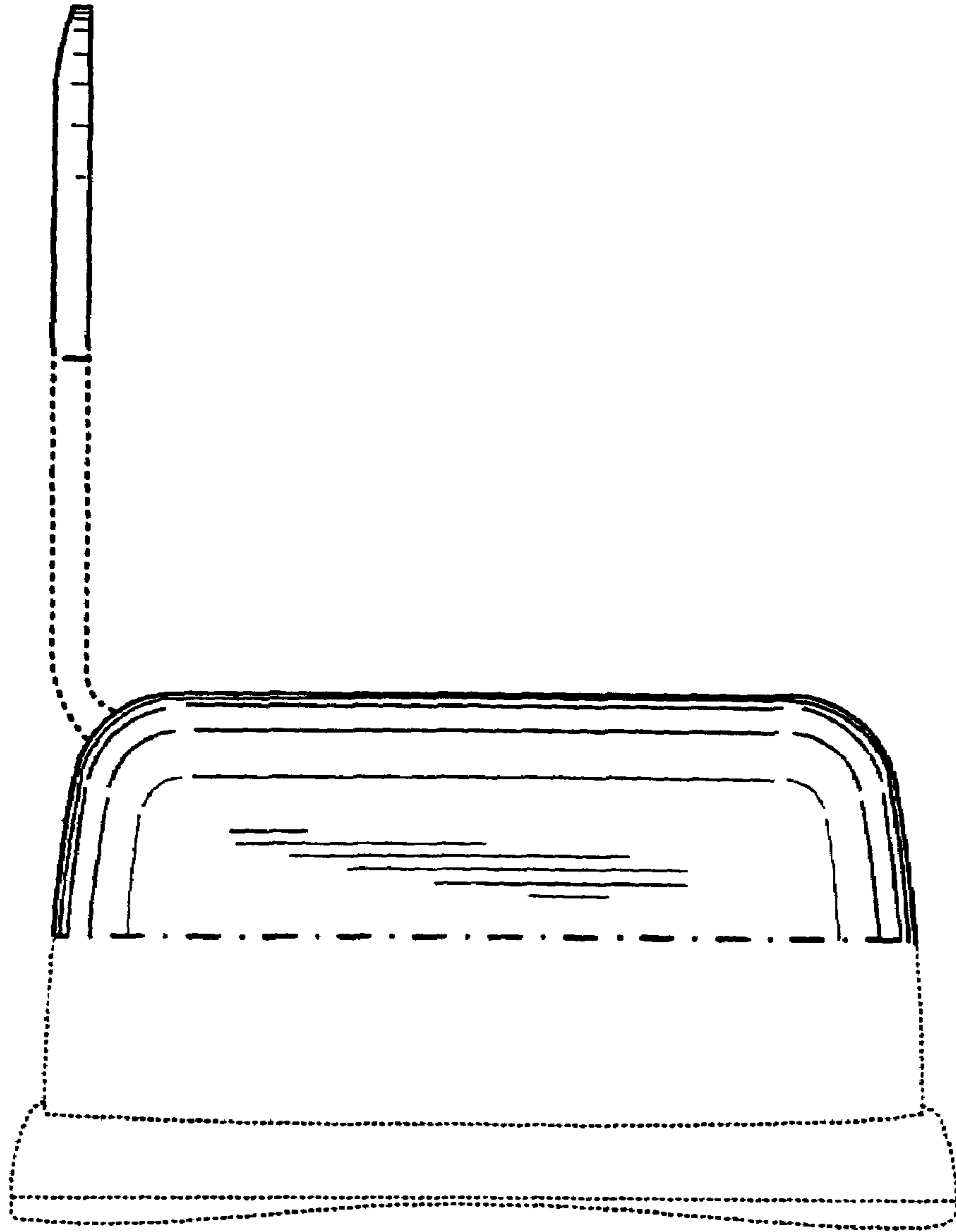


Fig. 4

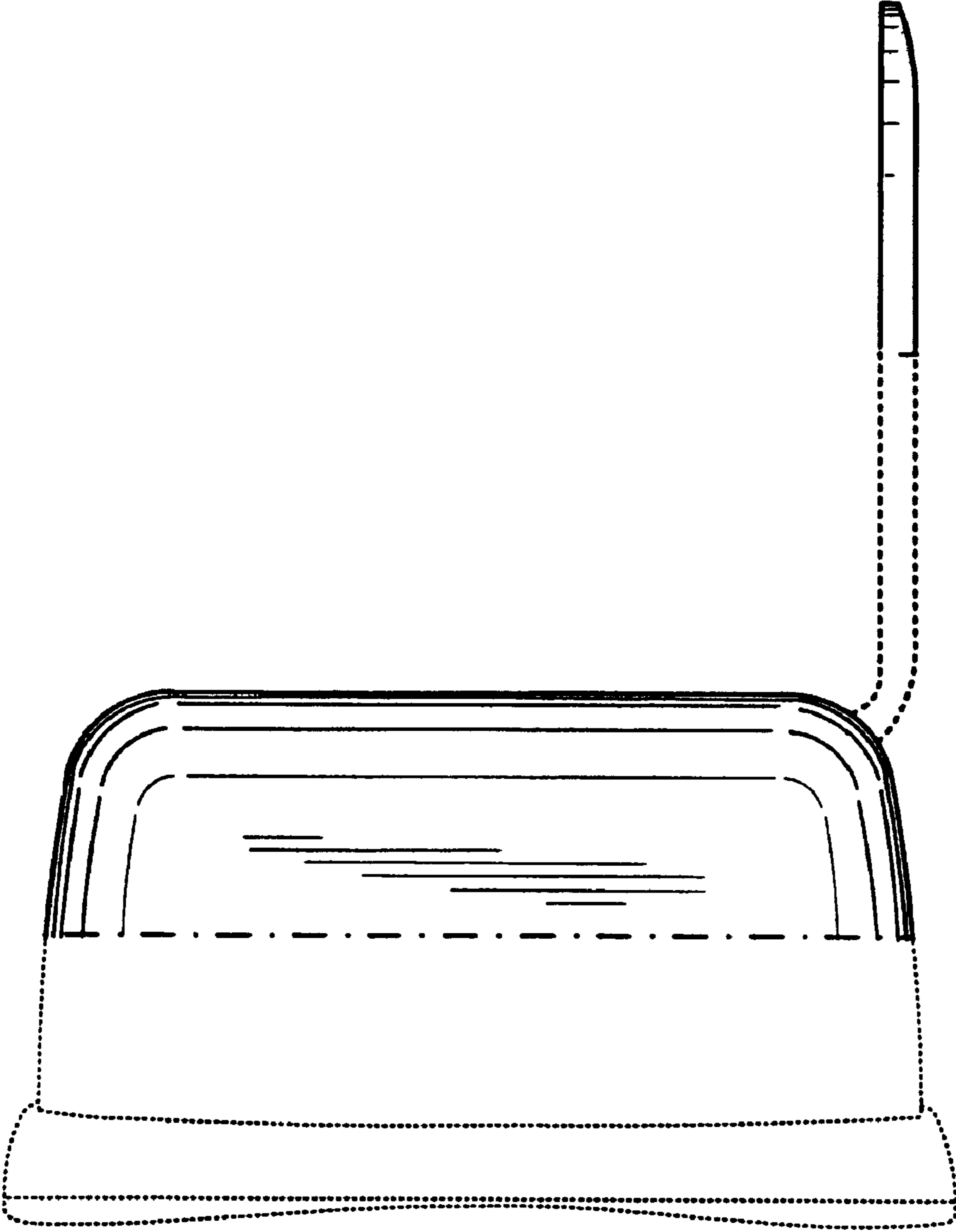


Fig. 5

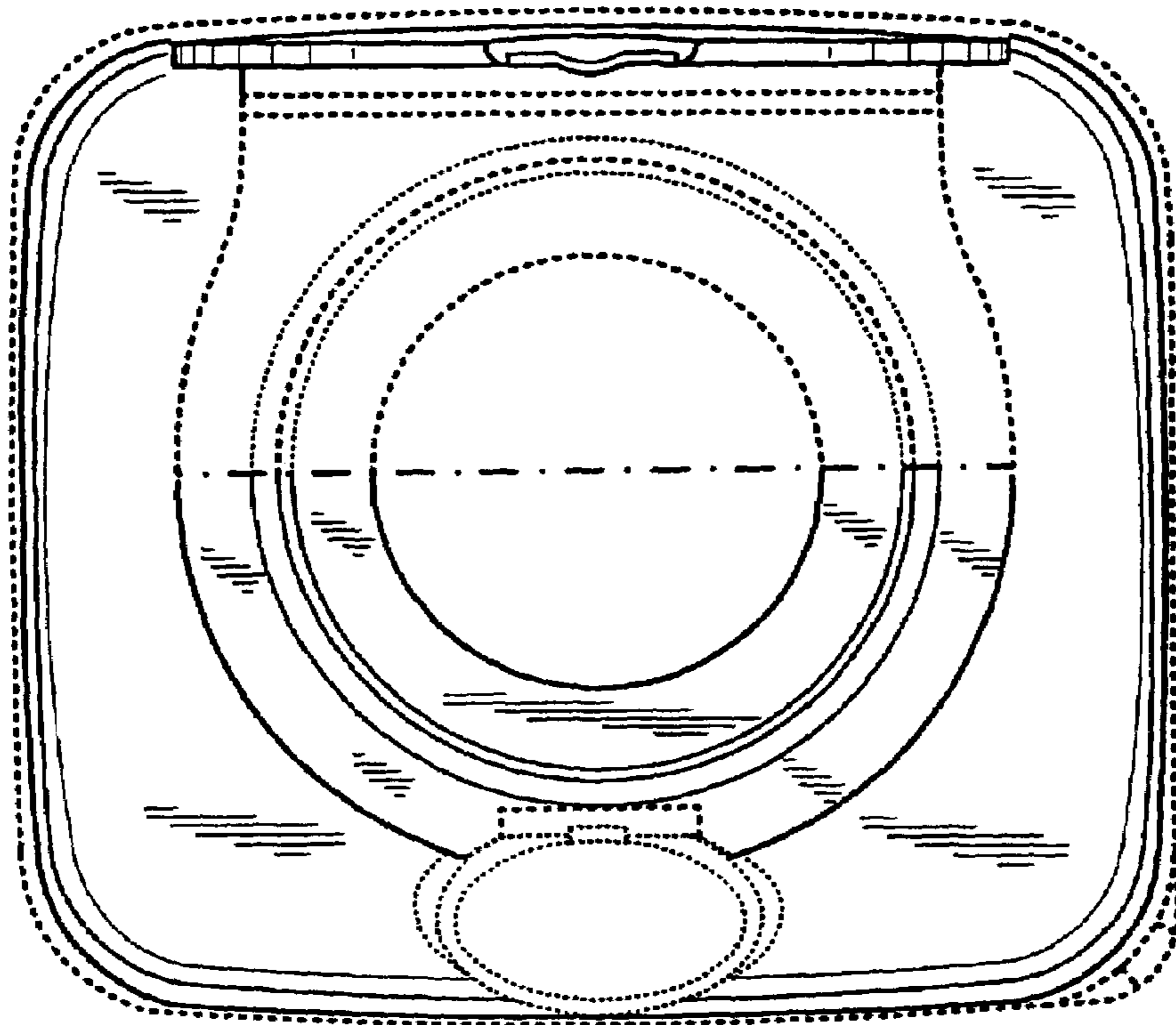


Fig. 6

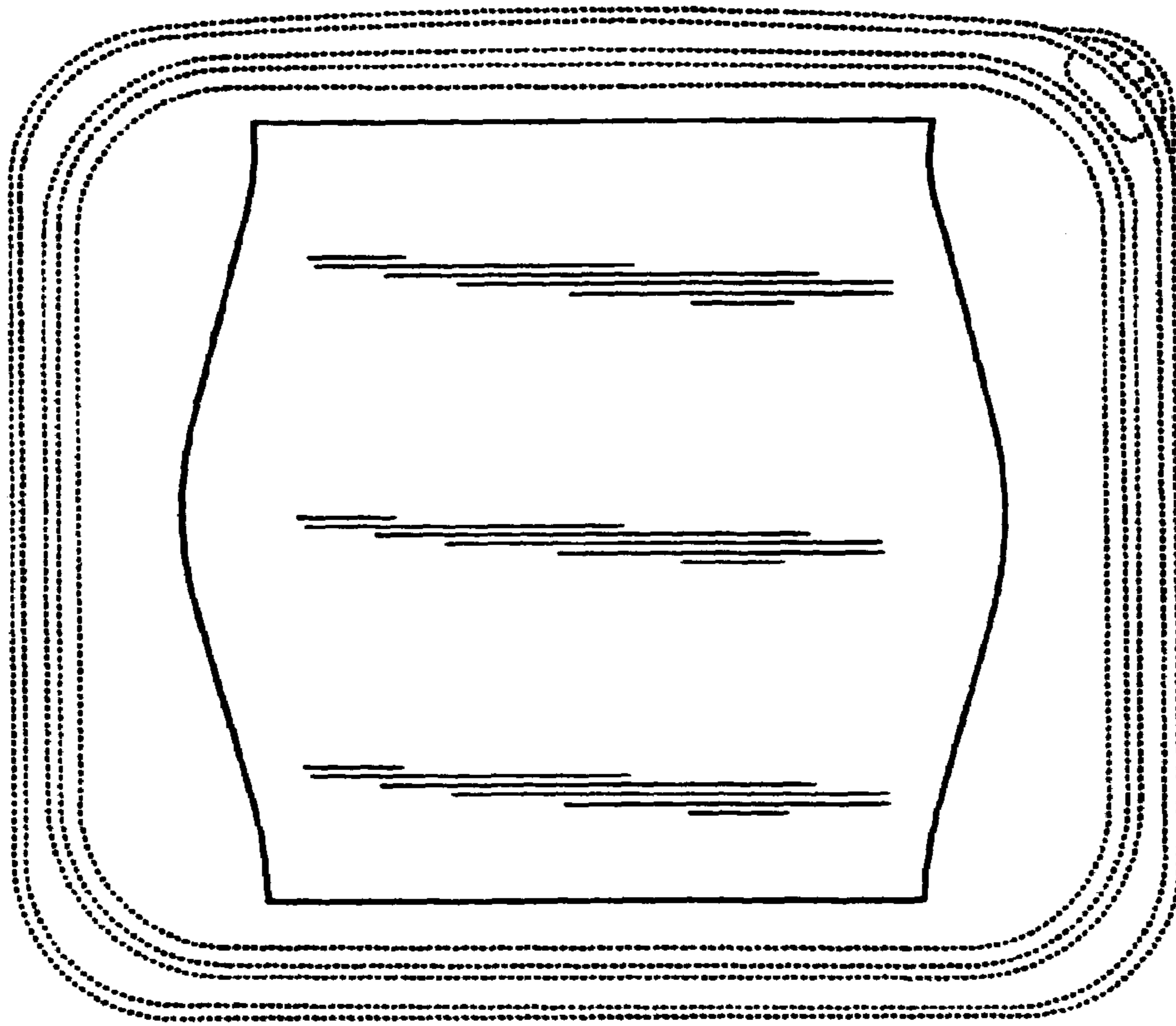


Fig. 7