



US00D548611S

(12) **United States Design Patent**
Lepoitevin

(10) **Patent No.:** **US D548,611 S**

(45) **Date of Patent:** **** Aug. 14, 2007**

(54) **BOTTLE**

(75) Inventor: **Laurent Lepoitevin**, Le Havre Cedex
(FR)

(73) Assignee: **Sidel Participations**, OCteville sur Mer
(FR)

(**) Term: **14 Years**

(21) Appl. No.: **29/253,772**

(22) Filed: **Feb. 13, 2006**

(30) **Foreign Application Priority Data**

Aug. 11, 2005 (EM) 000385604-0001/0003

(51) **LOC (8) Cl.** **09-01**

(52) **U.S. Cl.** **D9/643; D9/519**

(58) **Field of Classification Search** D9/600,
D9/643, 500-505, 516, 519, 537-540; D7/511-515,
D7/301-302, 604, 613, 619.2, 628, 901;
206/457-458, 822; 220/890; 229/116.1-116.3;
215/400; D1/118

See application file for complete search history.

(56) **References Cited**

U.S. PATENT DOCUMENTS

D244,776 S * 6/1977 Meeker D1/118

D258,483 S * 3/1981 Weinstein D7/511
D331,013 S * 11/1992 Hamamura D9/428
D395,230 S * 6/1998 Slater D9/643
D490,588 S * 6/2004 Baker D9/643
D510,960 S * 10/2005 Choi D9/643
D527,520 S * 9/2006 Green D9/643

* cited by examiner

Primary Examiner—Sandra L. Morris

(74) *Attorney, Agent, or Firm*—Marshall, Gerstein & Borun
LLP

(57) **CLAIM**

The ornamental design for a bottle, as shown.

DESCRIPTION

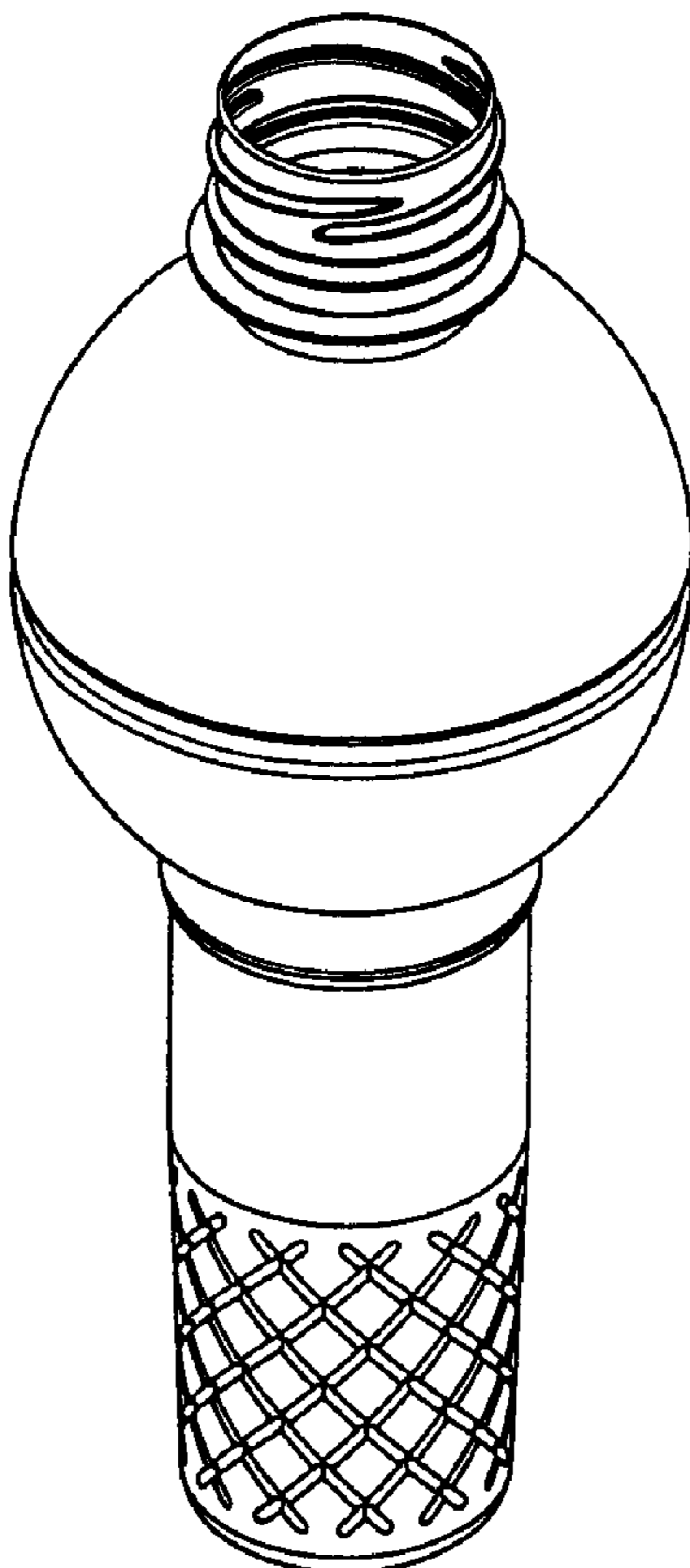
FIGS. 1 and 2 are perspective views of a bottle that has the design.

FIG. 3 is a bottom view of the bottle.

FIGS. 4-6 are side views of the bottle; and,

FIG. 7 is a top view of the bottle.

1 Claim, 2 Drawing Sheets



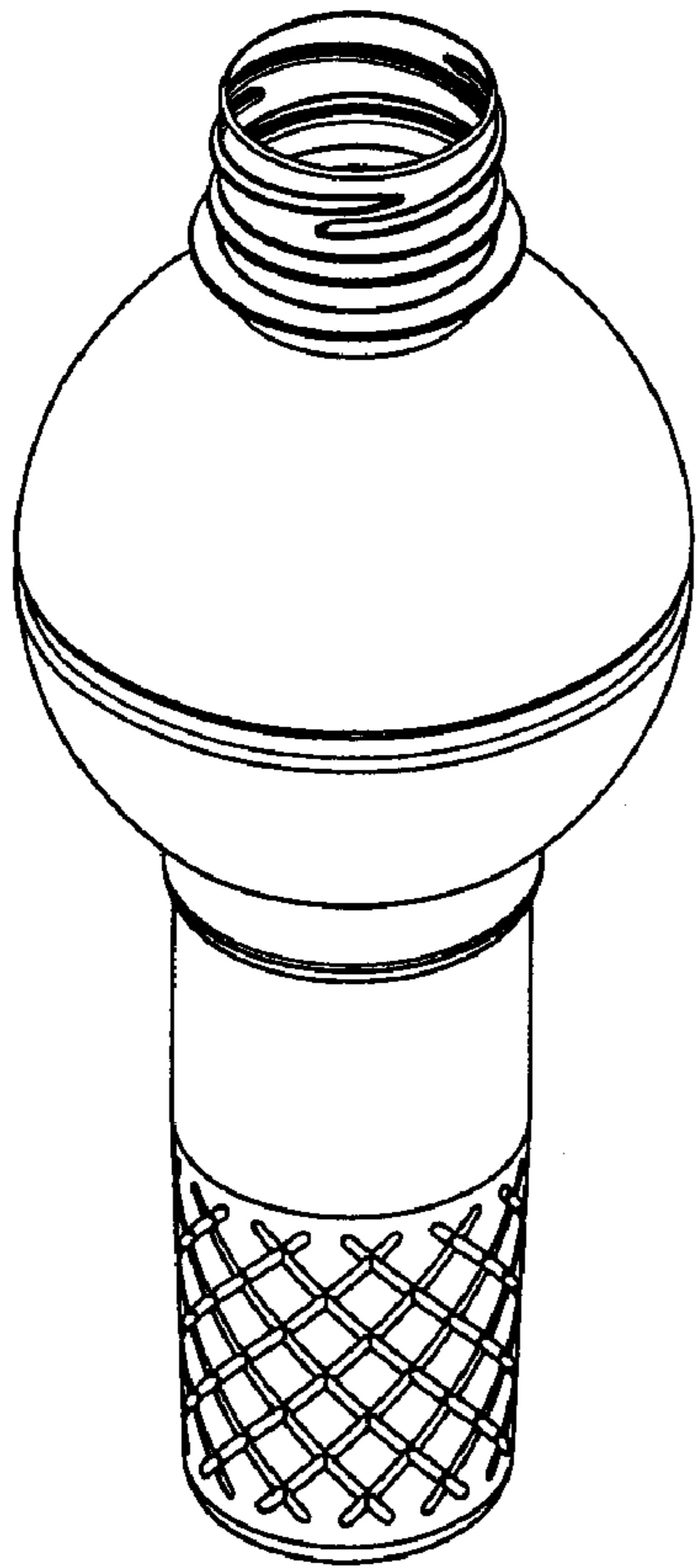


FIG. 1

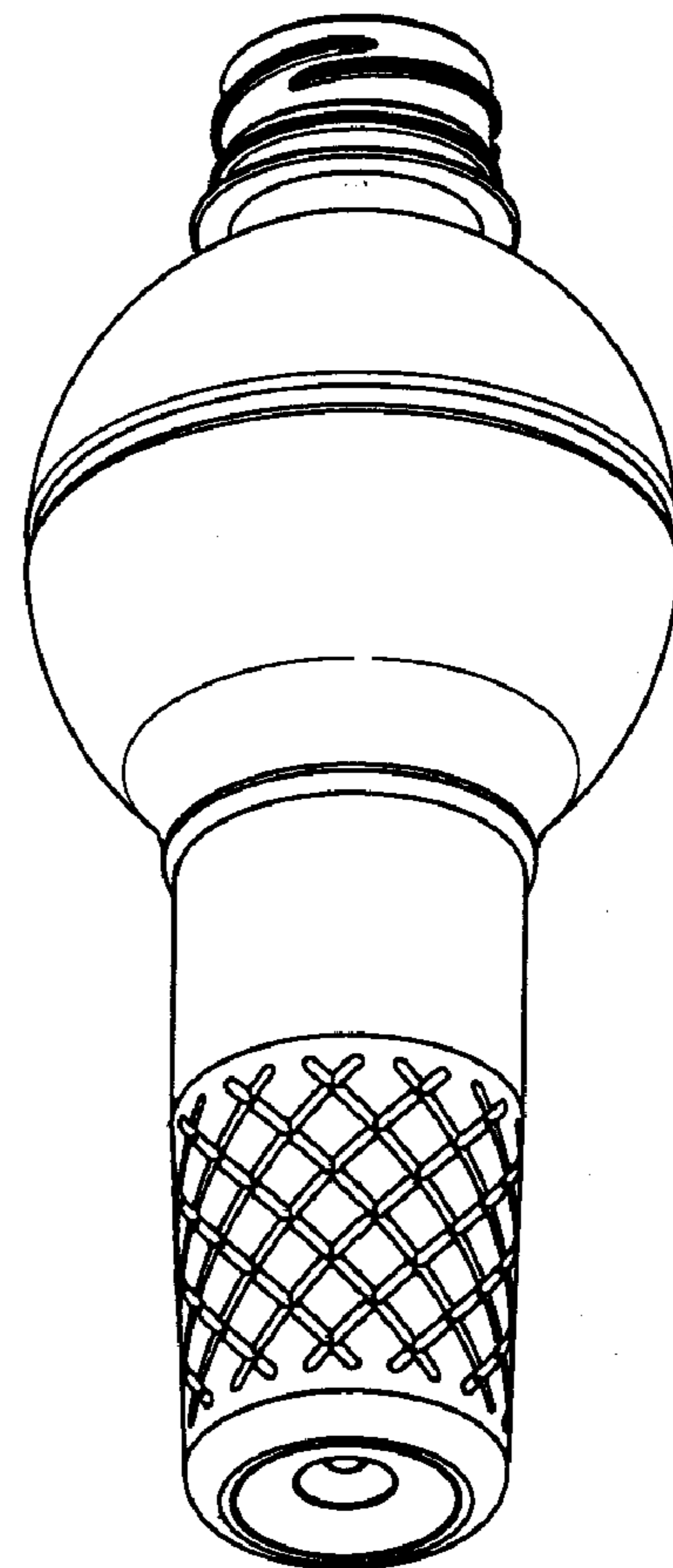


FIG. 2

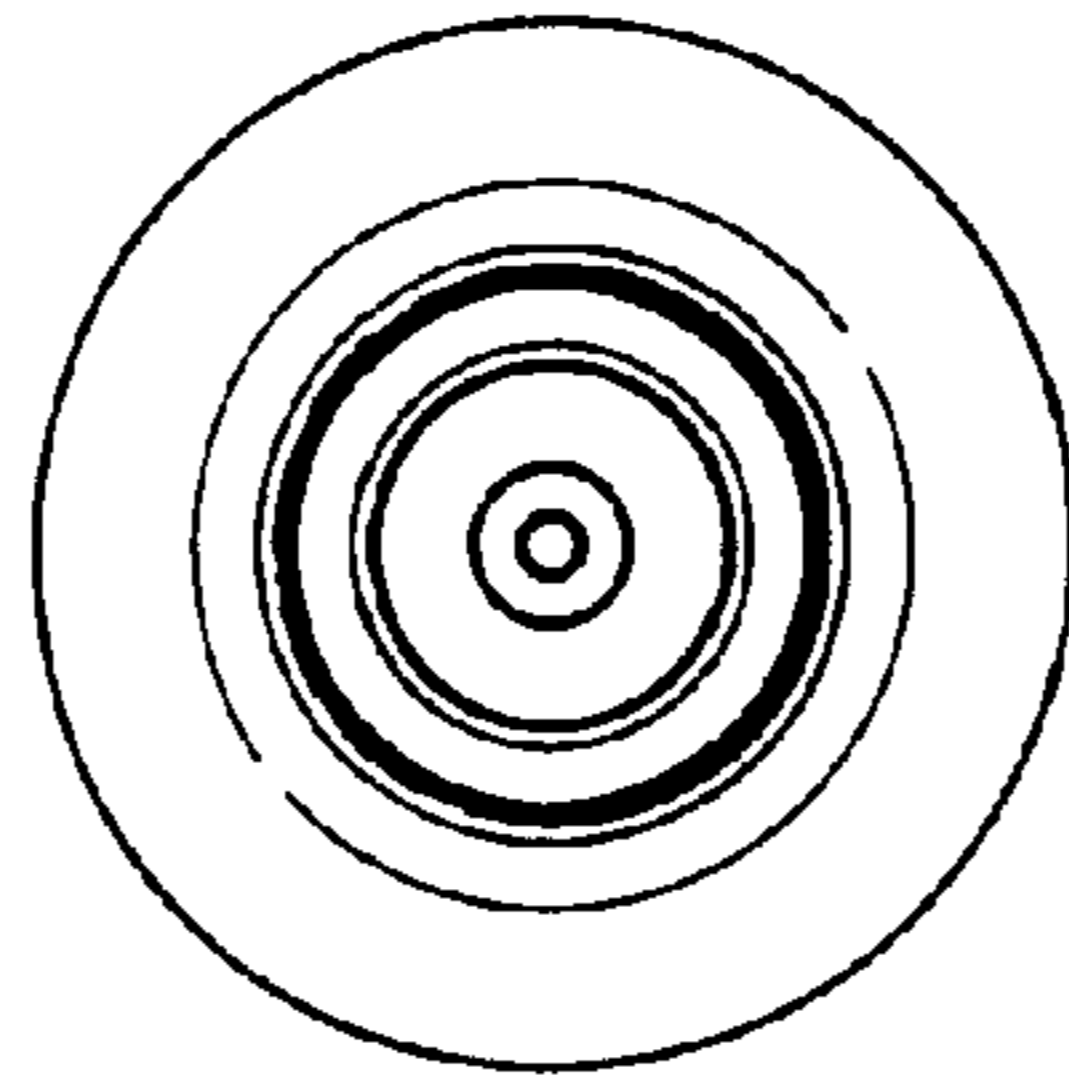


FIG. 3

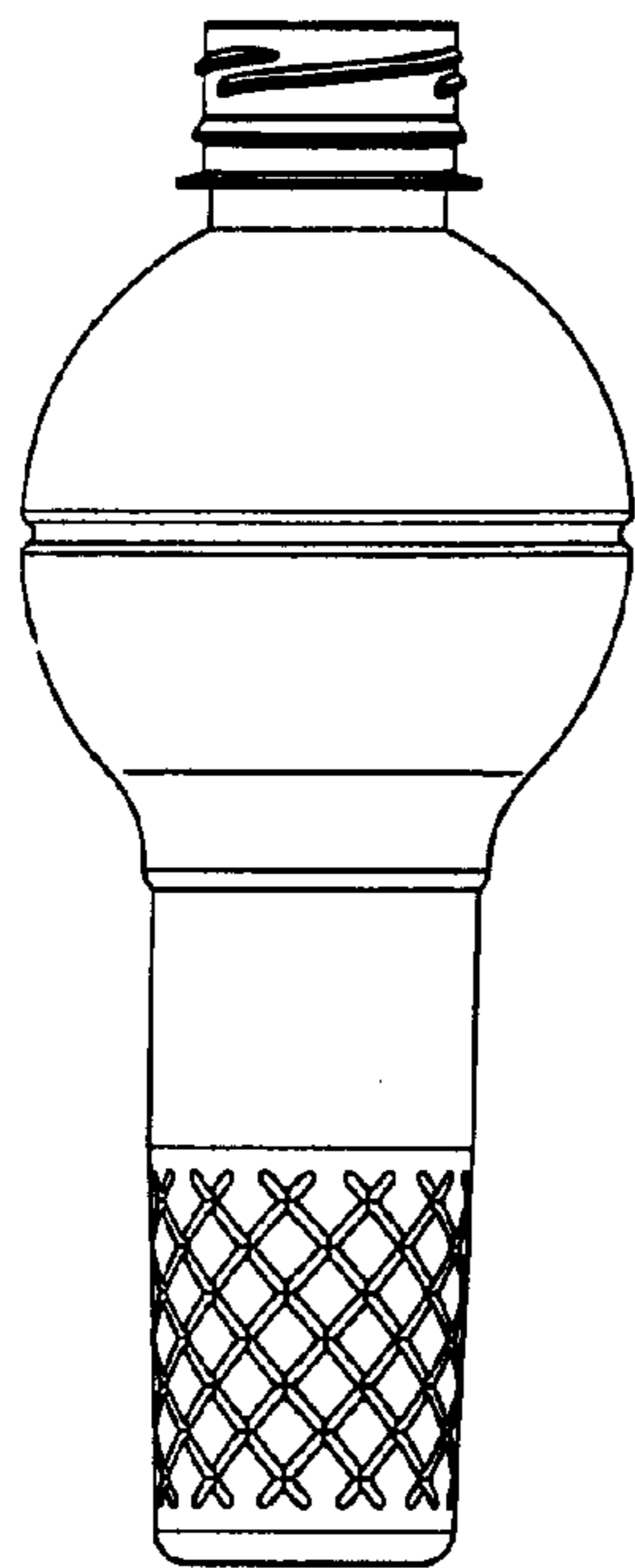


FIG. 4

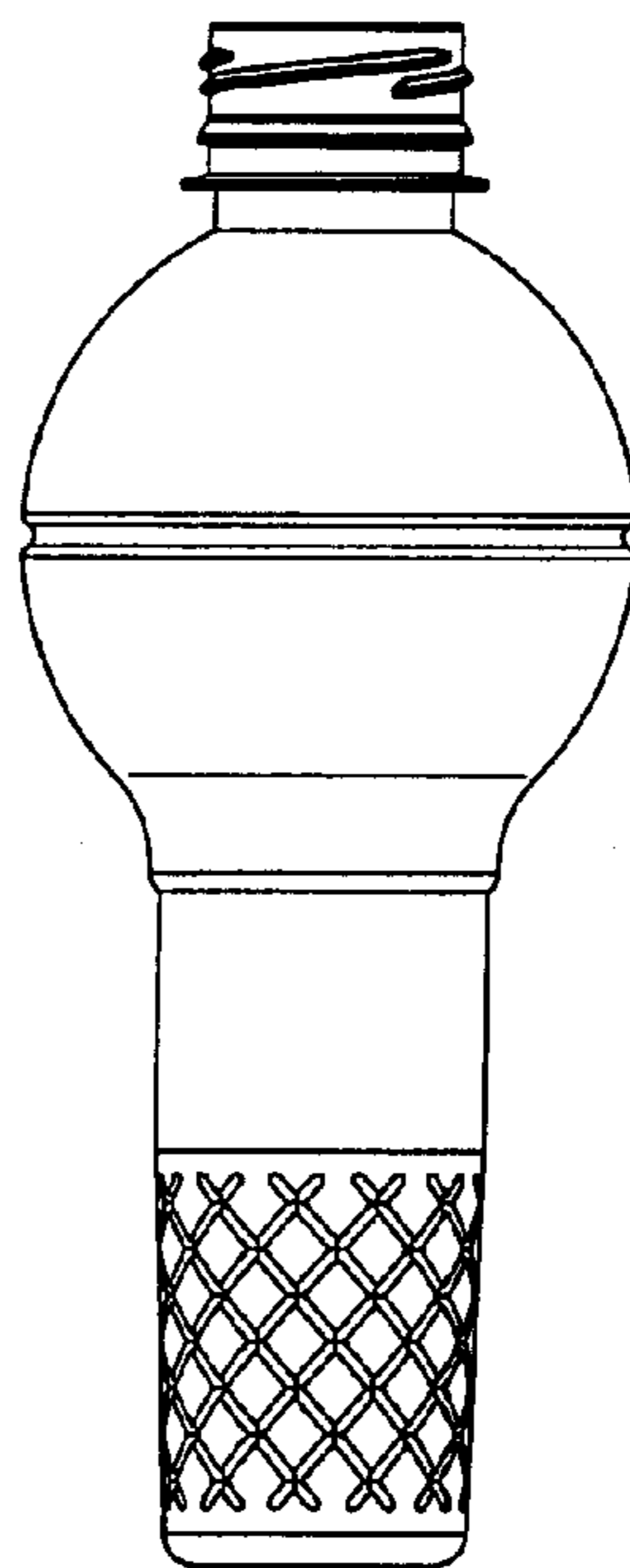


FIG. 5

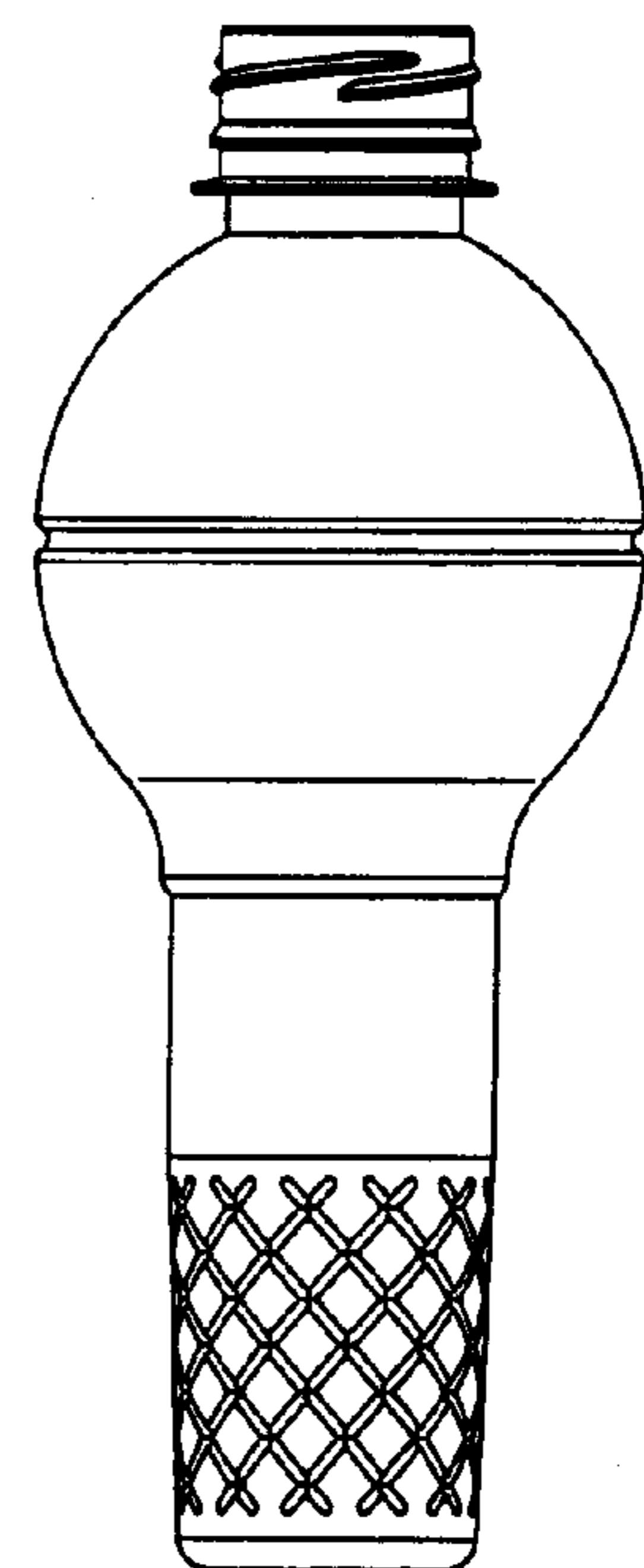


FIG. 6

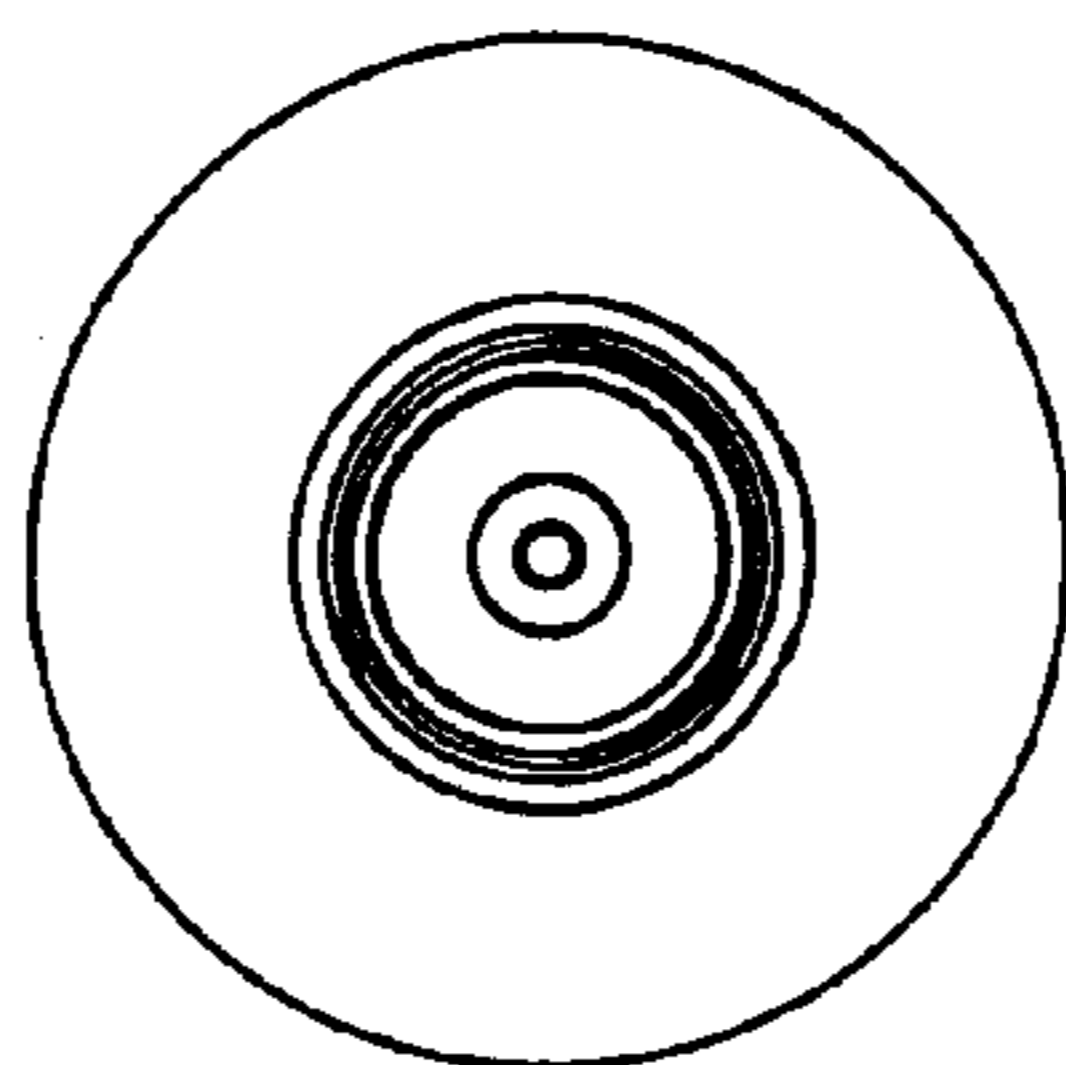


FIG. 7