

US00D548608S

(12) **United States Design Patent** (10) **Patent No.:** **US D548,608 S**
Paletz (45) **Date of Patent:** **** Aug. 14, 2007**

(54) **BOTTLE**

(76) Inventor: **Emmanuel Paletz**, 214 E. 32nd St.,
Apt. 4, New York, NY (US) 10016

(**) Term: **14 Years**

(21) Appl. No.: **29/257,738**

(22) Filed: **Apr. 10, 2006**

(51) **LOC (8) Cl.** **09-01**

(52) **U.S. Cl.** **D9/600; D9/679; D8/382**

(58) **Field of Classification Search** D9/600,
D9/679; D8/382, 386–388, 397; D21/387;
D3/270–271.1; D7/514–515, 301, 599, 613,
D7/619.2; 206/457–458, 822; 220/890;
229/116.1–116.3; 411/403, 924
See application file for complete search history.

(56) **References Cited**

U.S. PATENT DOCUMENTS

533,599	A *	2/1895	Jones	411/403
2,060,426	A *	11/1936	Rittenhouse	411/403
3,106,862	A *	10/1963	Briles	411/403
D270,171	S *	8/1983	Janusz	D21/389
D272,454	S *	1/1984	Boudreaux	D8/387
D422,904	S *	4/2000	Lepsius et al.	D9/600
D513,770	S *	1/2006	Malkovich	D21/389

OTHER PUBLICATIONS

Avon Products Inc., CB-0902-1, 1976. Big bolt container.*

“Mademoiselle”, Dec. 1969. p. 75, Nuts and Bolts mens fragrance bottles.*

* cited by examiner

Primary Examiner—Sandra L. Morris

(74) *Attorney, Agent, or Firm*—Davidson, Davidson & Kappel, LLC

(57) **CLAIM**

The ornamental design for a bottle, as shown and described.

DESCRIPTION

FIG. 1 is a front, left side, top perspective view of a first embodiment of the bottle;

FIG. 2 is a left side elevational view thereof, the right side being identical thereto;

FIG. 3 is a front elevational view thereof, the back being identical thereto;

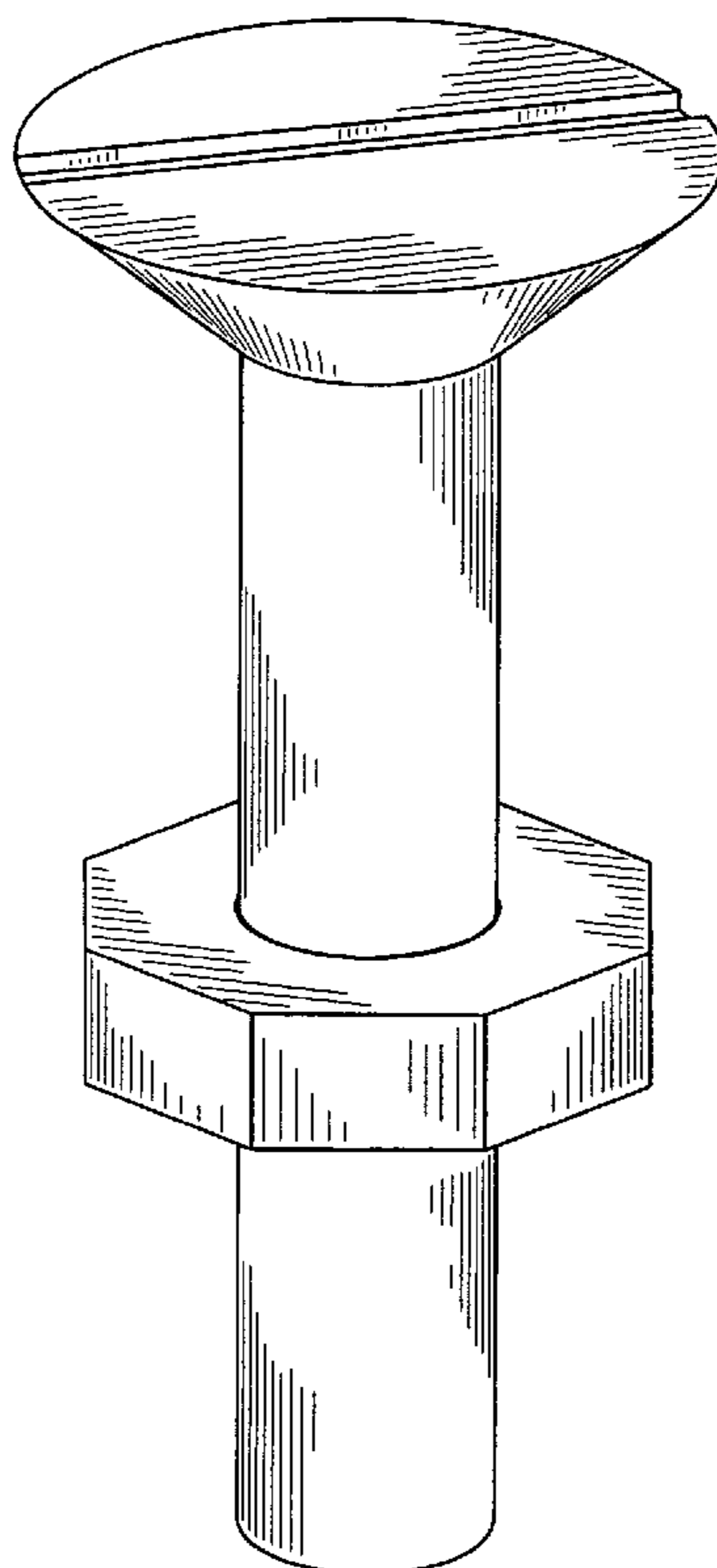
FIG. 4 is a top plan view thereof;

FIG. 5 is a bottom plan view thereof;

FIG. 6 is a front, left side, top exploded perspective view thereof; and,

FIG. 7 is a front, left side, top exploded perspective view of a second embodiment of the bottle, all other views being identical to the first embodiment.

1 Claim, 4 Drawing Sheets



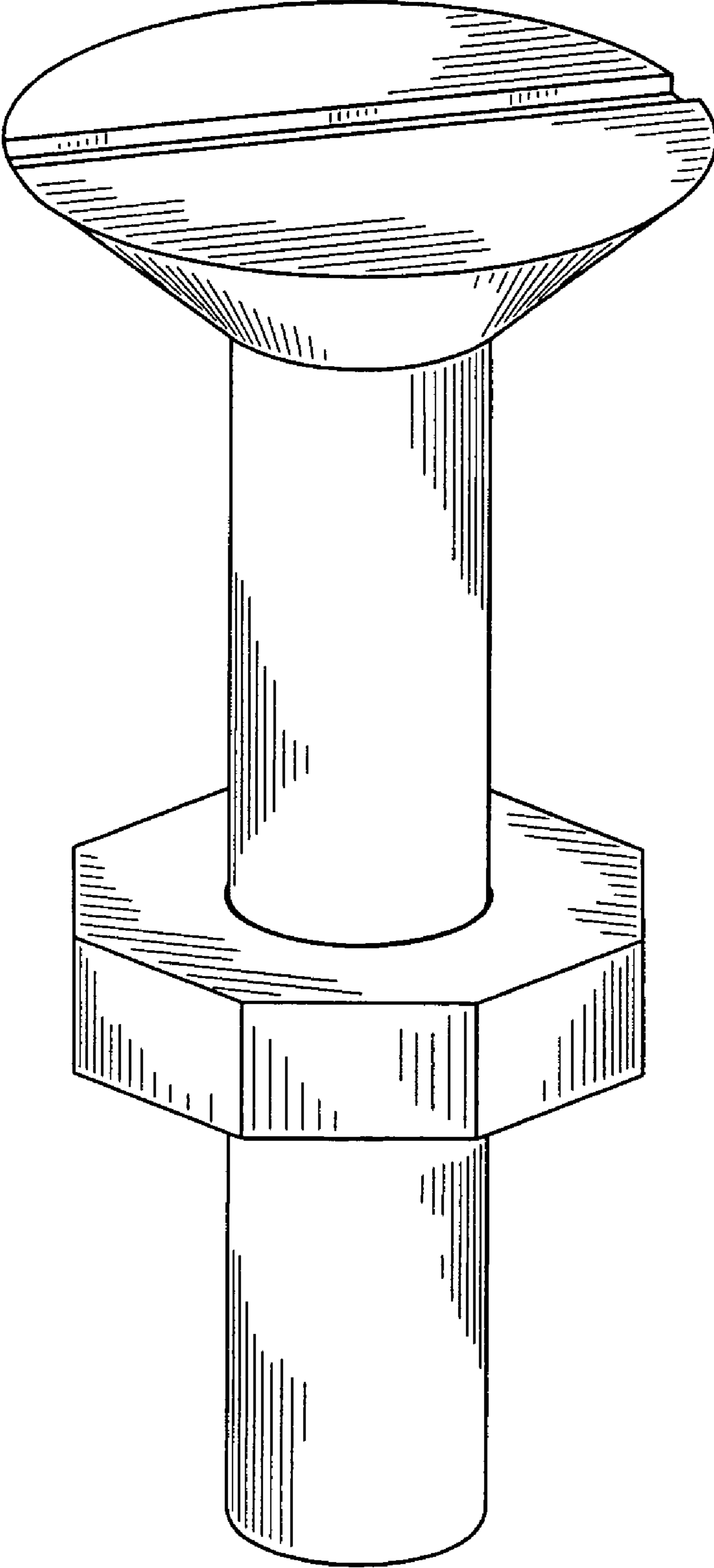


FIG. 1

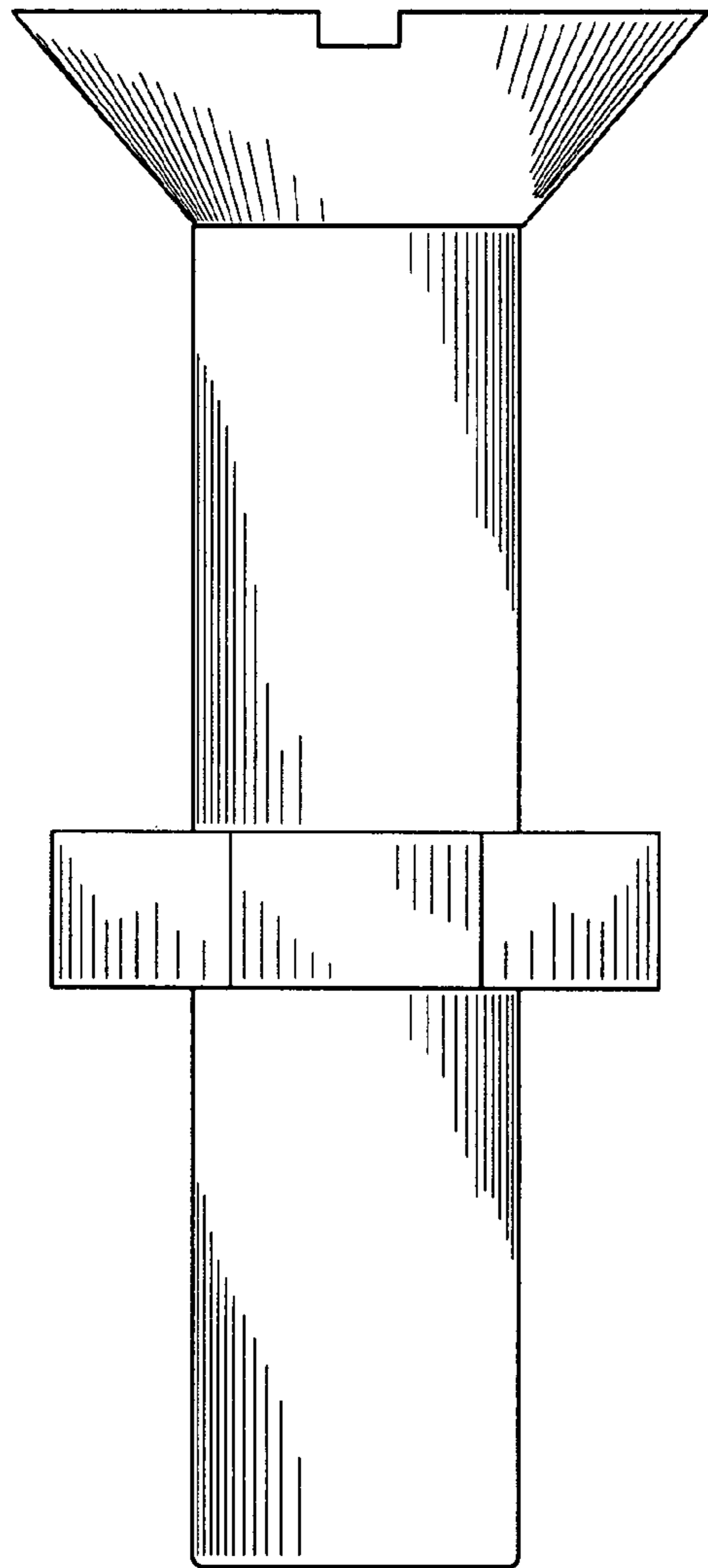


FIG. 2

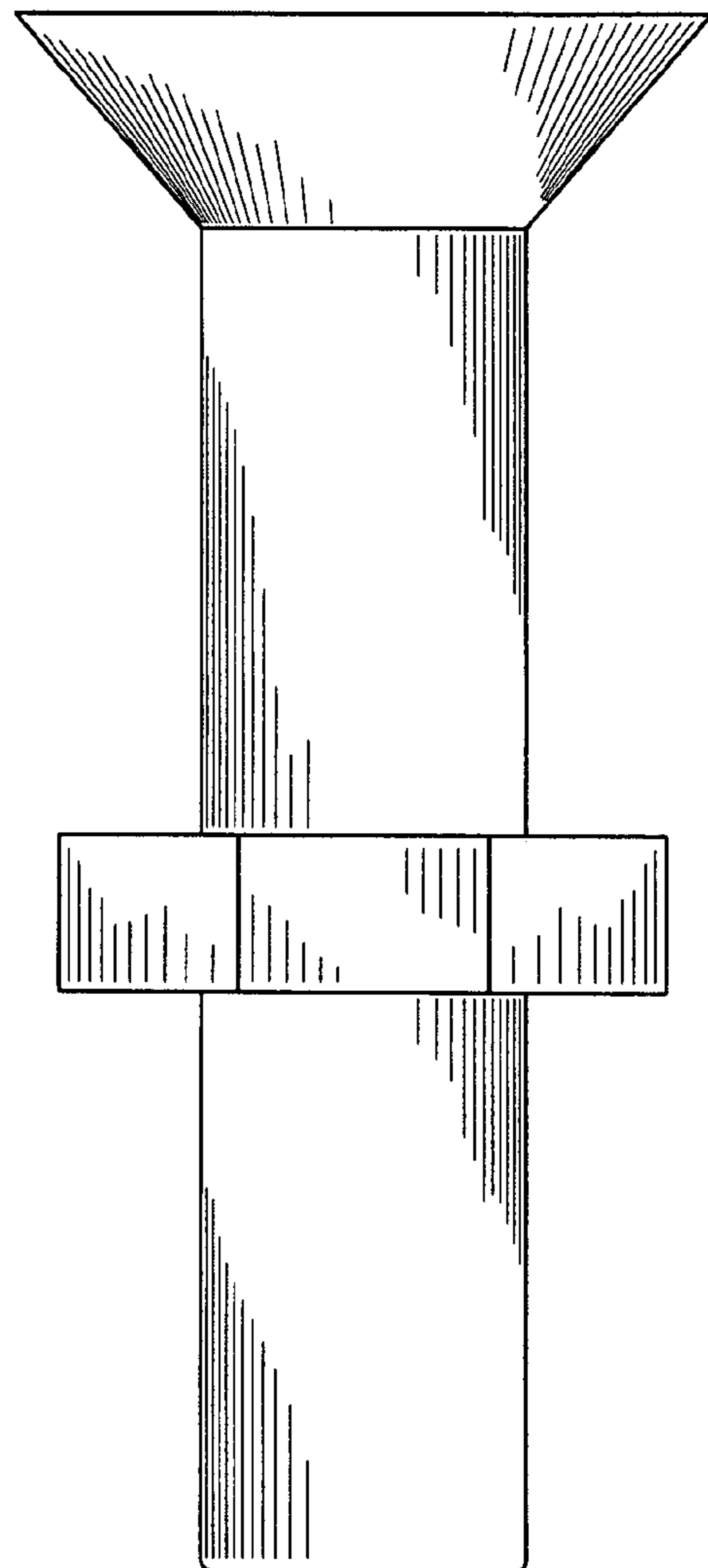


FIG. 3

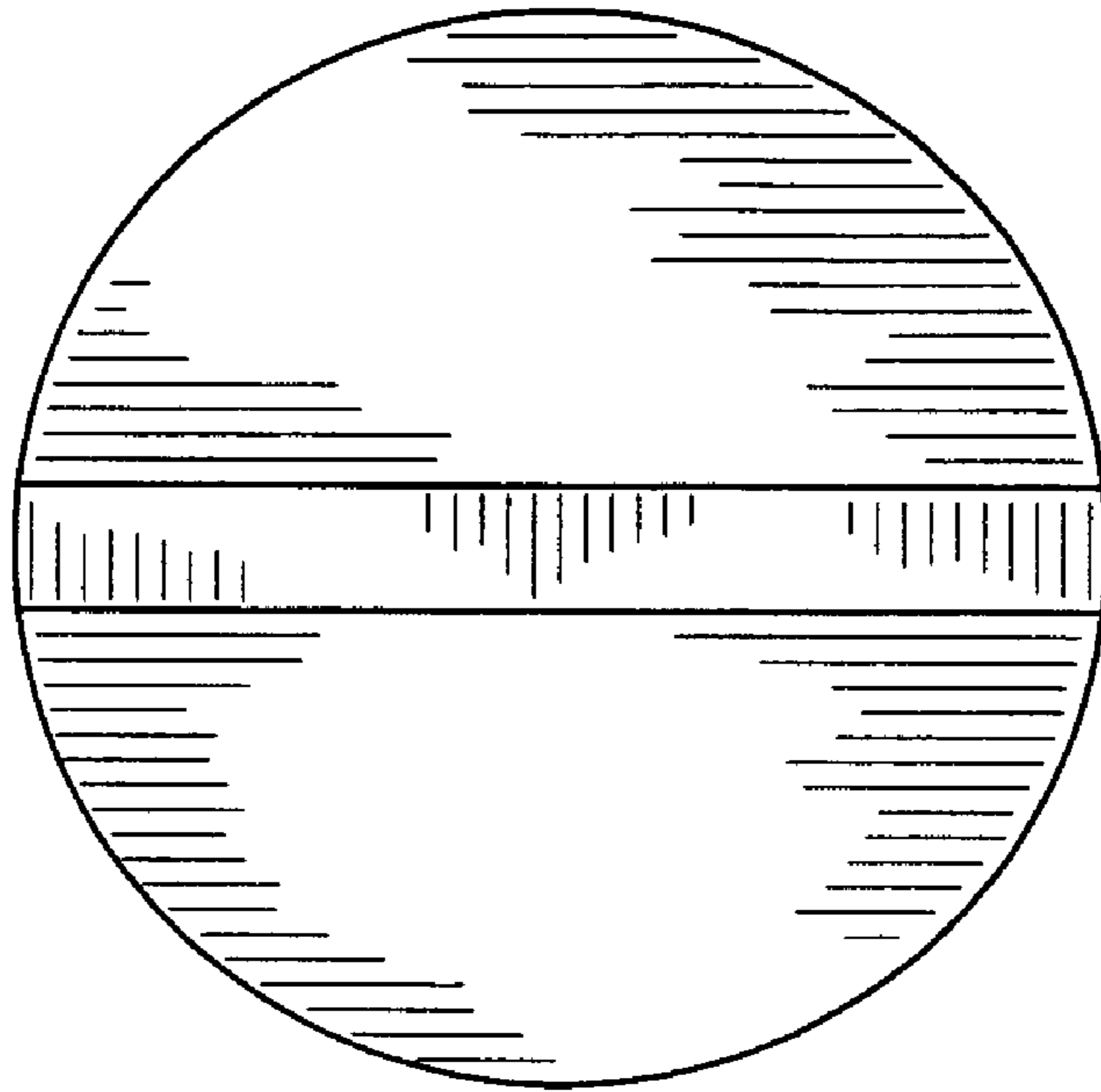


FIG. 4

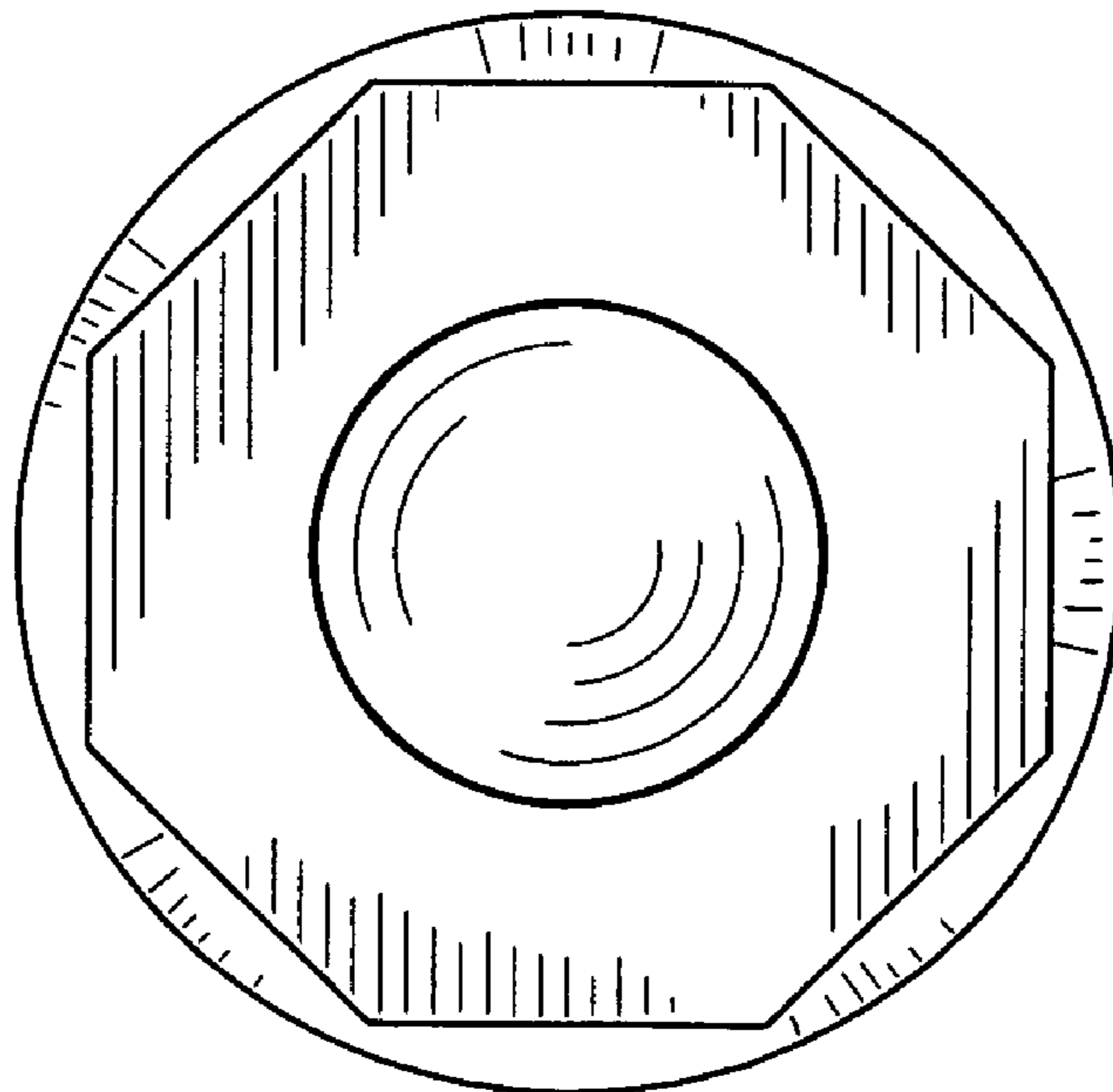


FIG. 5

