



US00D548606S

(12) **United States Design Patent** (10) **Patent No.:** **US D548,606 S**
Rica (45) **Date of Patent:** **** Aug. 14, 2007**

(54) **CARAFE**

(75) Inventor: **Didier Rica**, Le Mont Saint Adrien (FR)

(73) Assignee: **Saverglass Inc.**, New Rochelle, NY (US)

(**) Term: **14 Years**

(21) Appl. No.: **29/230,433**

(22) Filed: **May 23, 2005**

(30) **Foreign Application Priority Data**

Nov. 22, 2004 (EM) 000257225

(51) **LOC (8) Cl.** **09-01**

(52) **U.S. Cl.** **D9/544; D9/548; D9/573; D9/574**

(58) **Field of Classification Search** D9/516, D9/530, 537, 539, 542, 544-545, 549, 558, D9/686-691, 694; 215/379, 381-382, 384; 220/660, 662, 669-670

See application file for complete search history.

(56) **References Cited**

U.S. PATENT DOCUMENTS

D217,659 S *	5/1970	Dinand	D9/574
D276,501 S *	11/1984	Pardo	D9/571
D522,872 S *	6/2006	Lascaux	D9/544
D524,658 S *	7/2006	Varlet	D9/544

* cited by examiner

Primary Examiner—Ian Simmons

Assistant Examiner—Dana Sipos

(74) *Attorney, Agent, or Firm*—Young & Thompson

(57) **CLAIM**

The ornamental design for a carafe, as shown and described.

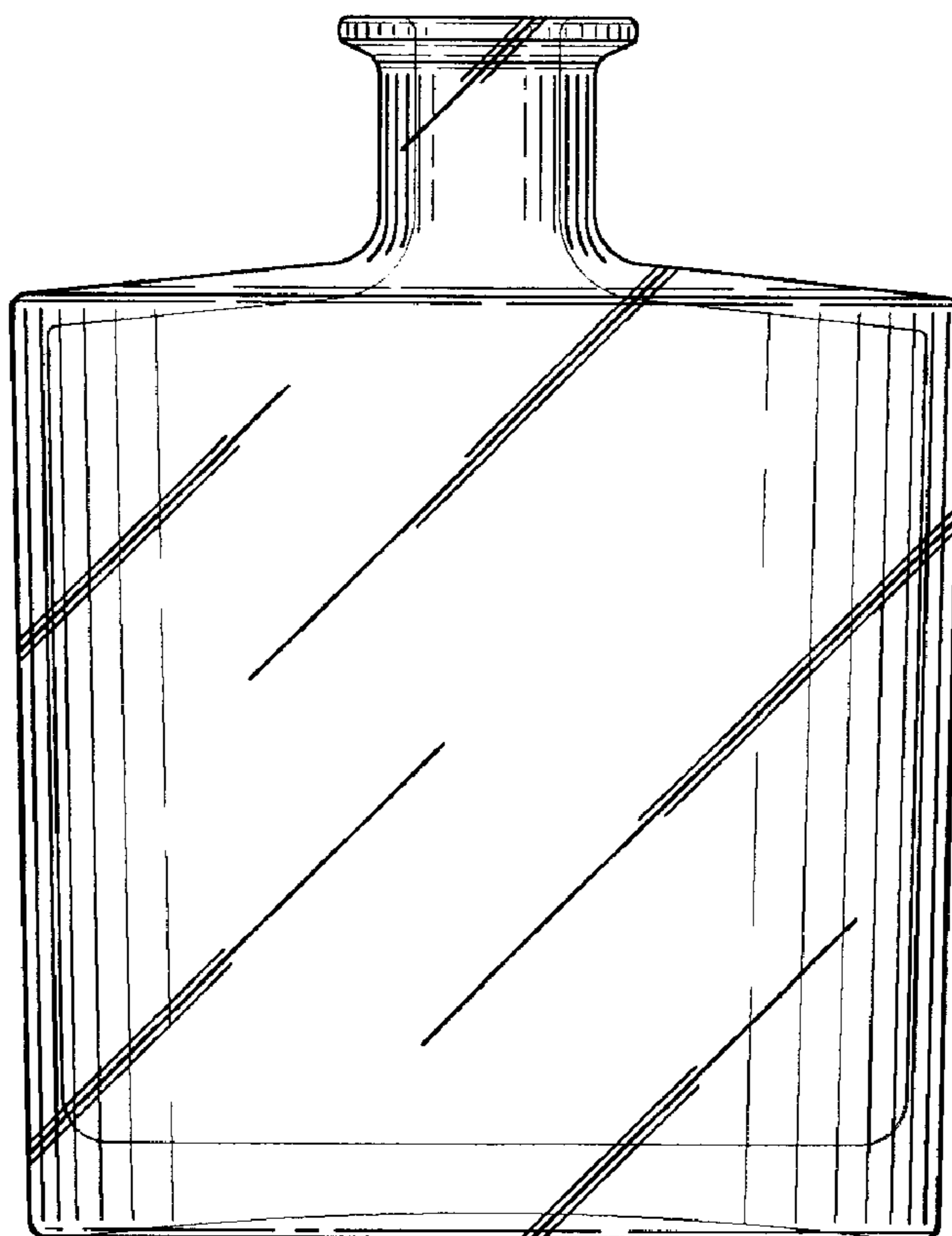
DESCRIPTION

FIG. 1 is a front elevational view of a carafe showing my new design, the rear elevational view being identical;

FIG. 2 is a top, front perspective view thereof; and,

FIG. 3 is a right side elevational view thereof, the left side elevational view being identical.

1 Claim, 2 Drawing Sheets



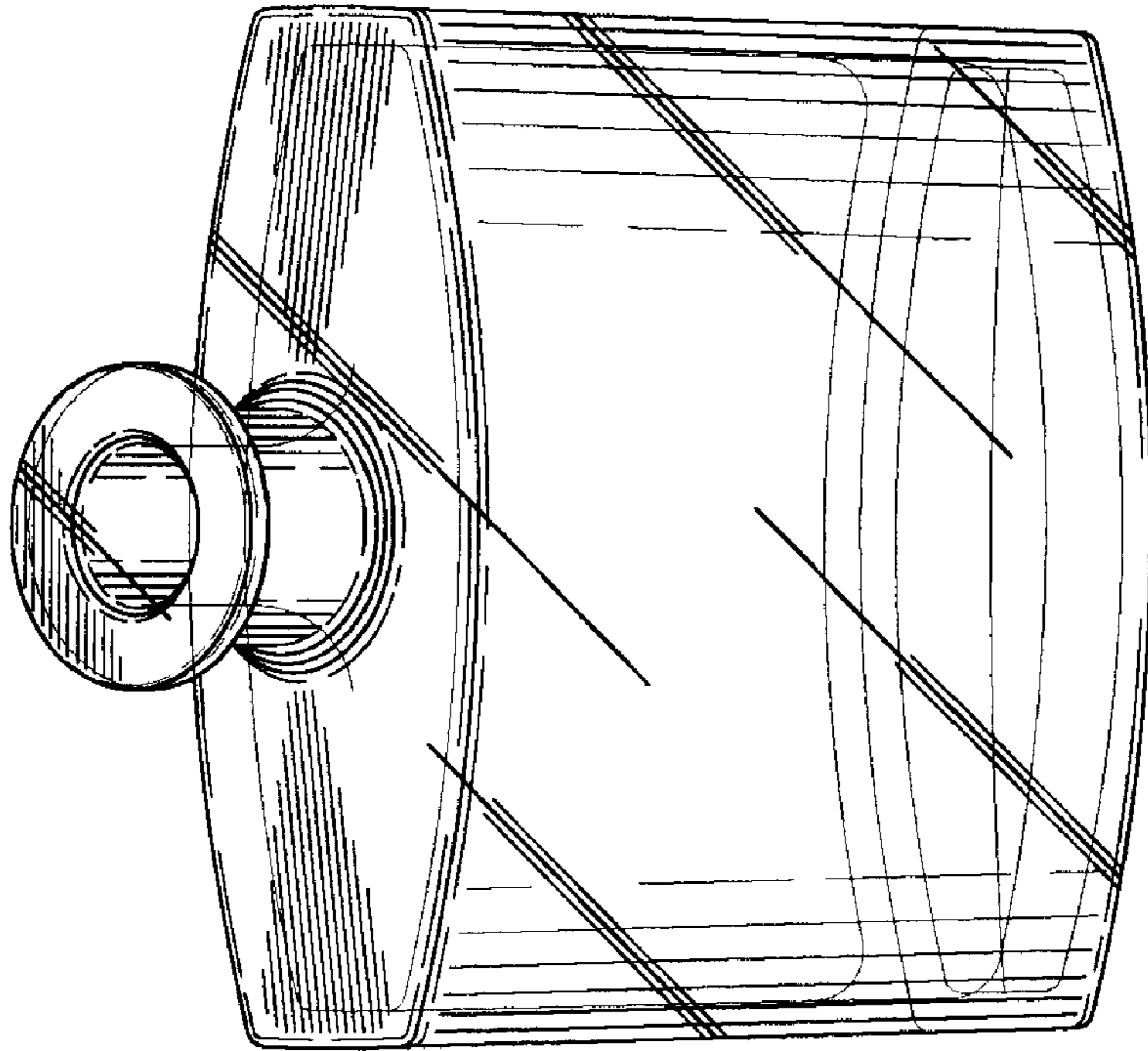


FIG. 2

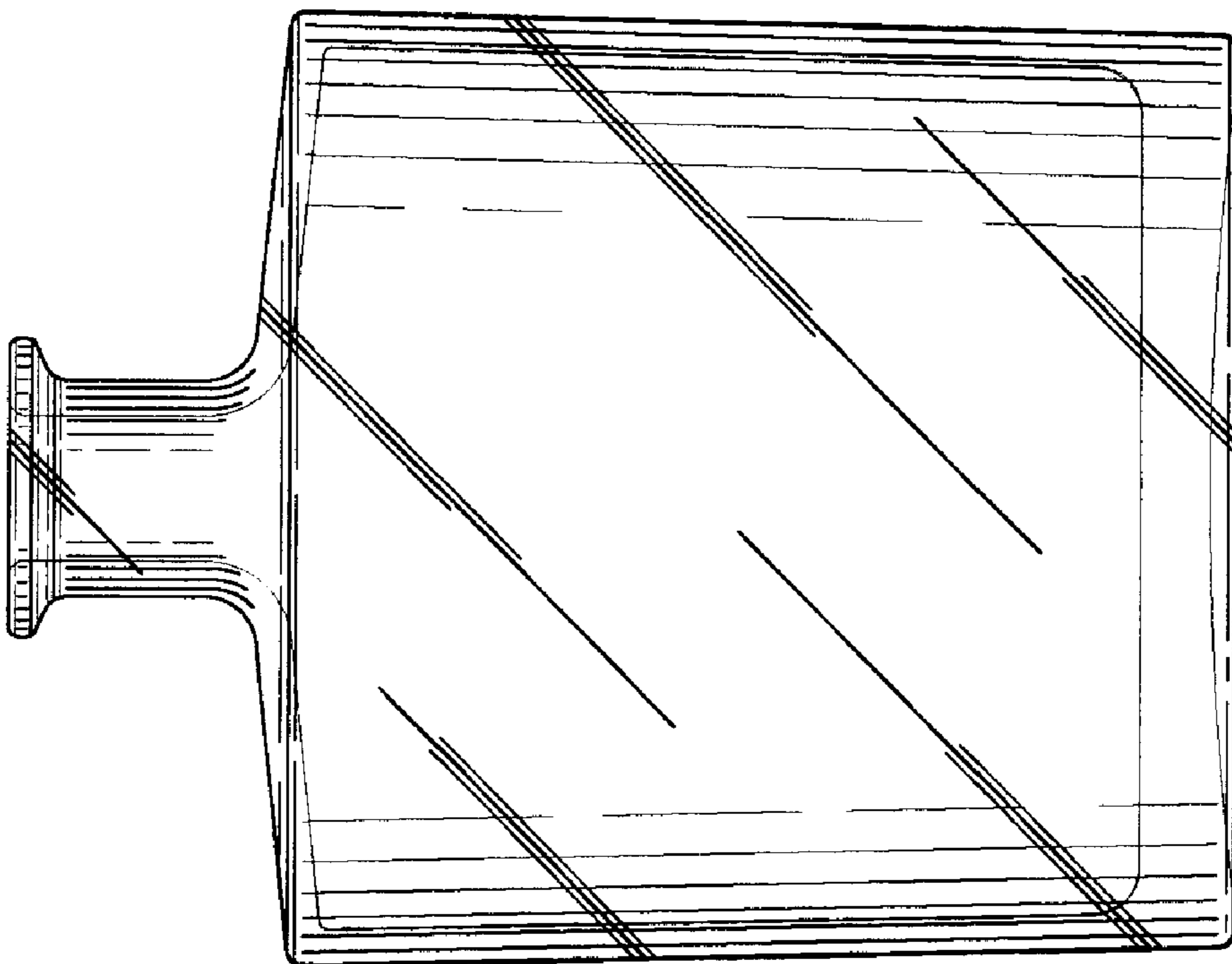


FIG. 1

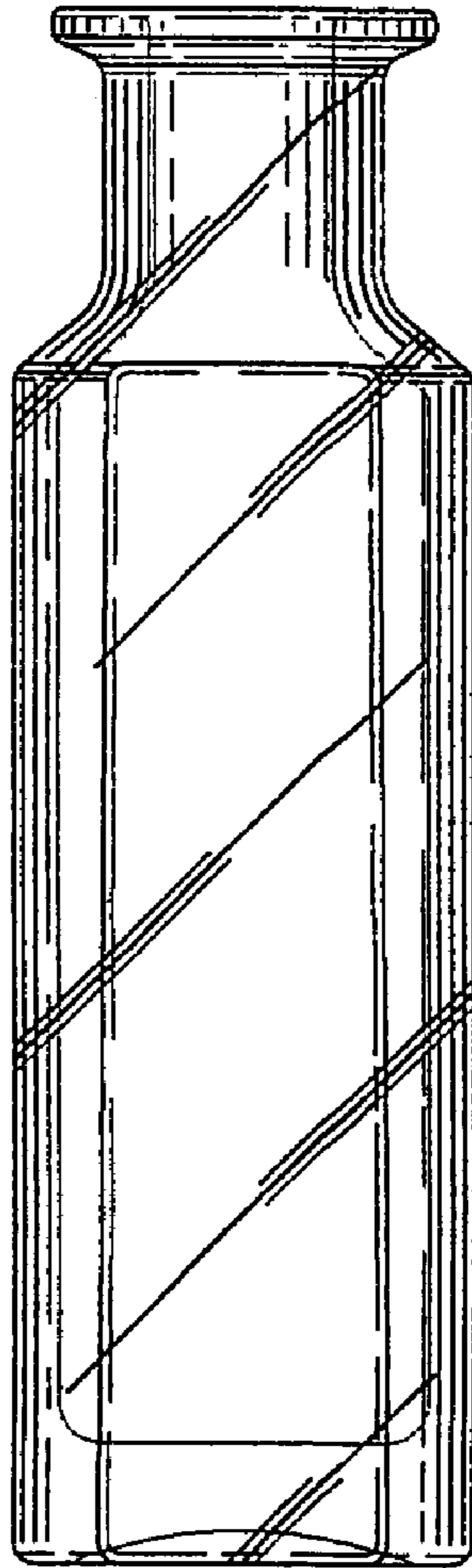


Figure 3