

US00D548603S

(12) **United States Design Patent**  
**Young et al.**

(10) **Patent No.: US D548,603 S**

(45) **Date of Patent: \*\* Aug. 14, 2007**

(54) **PLASTIC CONTAINER**

(75) Inventors: **William C. Young**, Ypsilanti, MI (US);  
**Richard C. Darr**, Medina, OH (US);  
**Christopher E. Kaminski**, North  
Royalton, OH (US)

(73) Assignee: **Plastipak Packaging, Inc.**, Plymouth,  
MI (US)

(\*\*) Term: **14 Years**

(21) Appl. No.: **29/271,596**

(22) Filed: **Jan. 23, 2007**

**Related U.S. Application Data**

(62) Division of application No. 29/245,347, filed on Dec.  
22, 2005.

(51) **LOC (8) Cl.** ..... **09-01**

(52) **U.S. Cl.** ..... **D9/531; D9/560**

(58) **Field of Classification Search** ..... D9/516,  
D9/520, 528, 530-531, 534-535, 540, 560,  
D9/563, 575; D7/612-615; 215/381-385  
See application file for complete search history.

(56) **References Cited**

**U.S. PATENT DOCUMENTS**

- D256,664 S \* 9/1980 Burrington et al. .... D9/520
- D272,521 S \* 2/1984 Glenn ..... D9/520
- D276,890 S \* 12/1984 Hancher ..... D9/522
- D307,392 S \* 4/1990 Weckman ..... D9/528
- D389,067 S \* 1/1998 Lown ..... D9/543
- D462,012 S \* 8/2002 Manderfield, Jr. .... D9/530
- D480,974 S \* 10/2003 Blank ..... D9/543

- D483,269 S \* 12/2003 Walsh et al. .... D9/522
- D497,311 S \* 10/2004 Walsh et al. .... D9/522
- D500,953 S \* 1/2005 Nottingham et al. .... D9/528
- D504,823 S \* 5/2005 Nottingham et al. .... D9/528
- 6,983,862 B2 \* 1/2006 Nottingham et al. .... 222/109
- D518,733 S \* 4/2006 Jhuang ..... D9/537
- D521,387 S \* 5/2006 Little et al. .... D9/530

**FOREIGN PATENT DOCUMENTS**

- GB 3010284 \* 4/2003
- GB 3009071 \* 9/2003

\* cited by examiner

*Primary Examiner*—Carol Rademaker

*Assistant Examiner*—Anna J. Burmeister

(74) *Attorney, Agent, or Firm*—Robert H. Bachman

(57) **CLAIM**

The ornamental design for a plastic container, as shown and described.

**DESCRIPTION**

FIG. 1 is a top, front, and left side perspective view of a plastic container showing our new design;

FIG. 2 is a top, rear perspective view thereof;

FIG. 3 is a left side elevation view thereof;

FIG. 4 is a right side elevation view thereof;

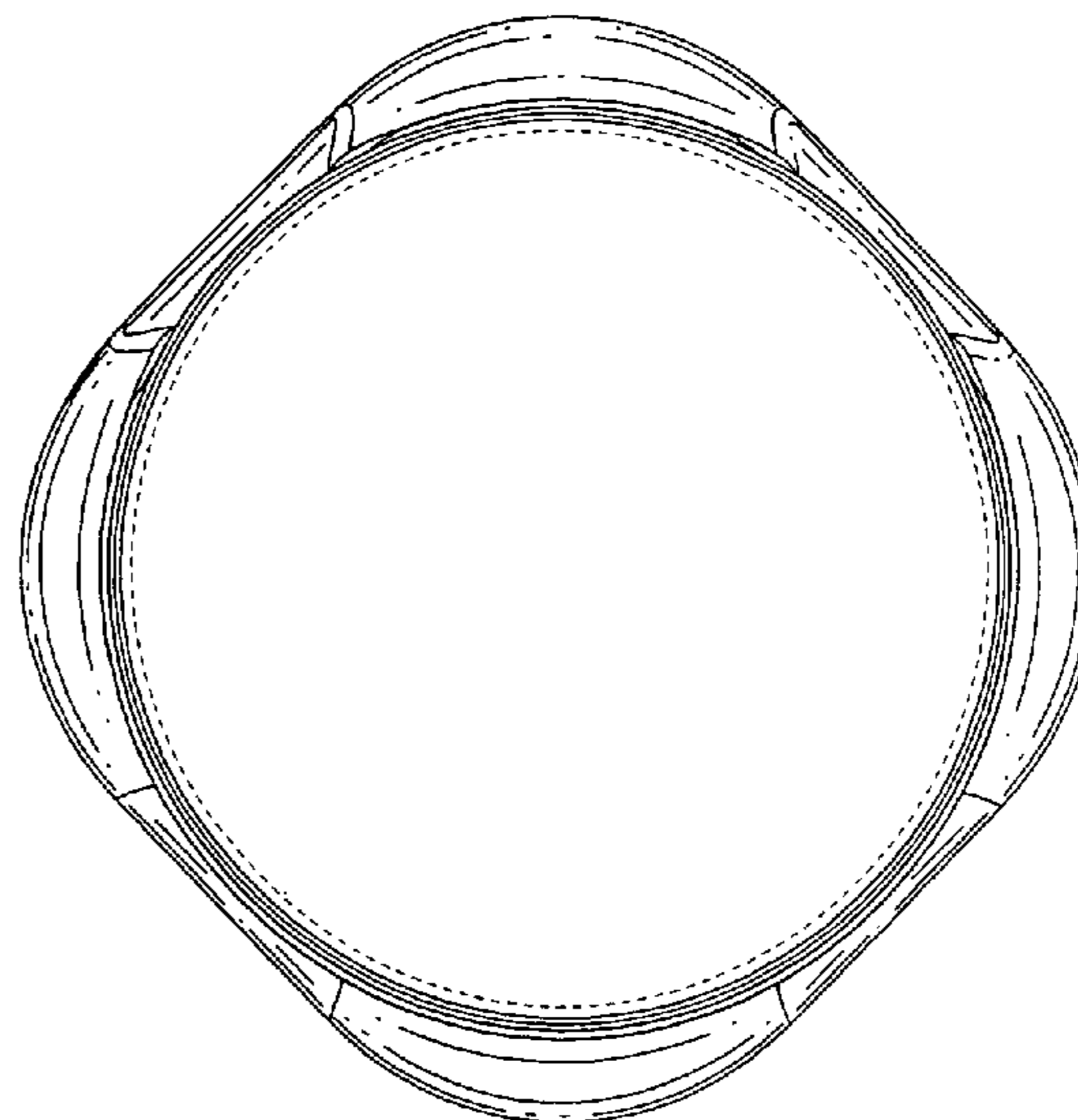
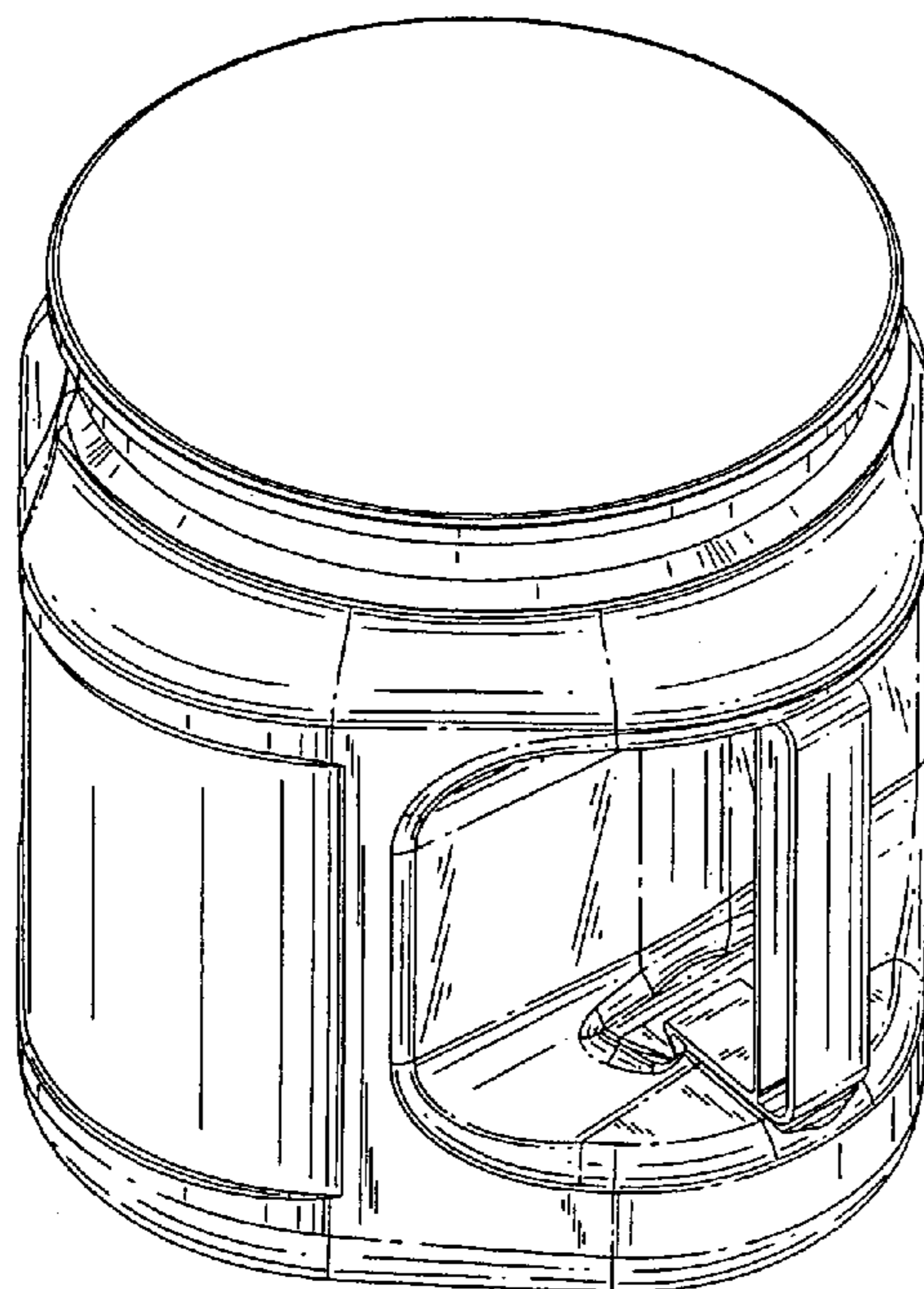
FIG. 5 is a rear elevation view thereof;

FIG. 6 is a front elevational view thereof; and,

FIG. 7 is a top plan view thereof.

The broken lines in the drawings are for illustrative purposes only and form no part of the claimed design.

**1 Claim, 4 Drawing Sheets**



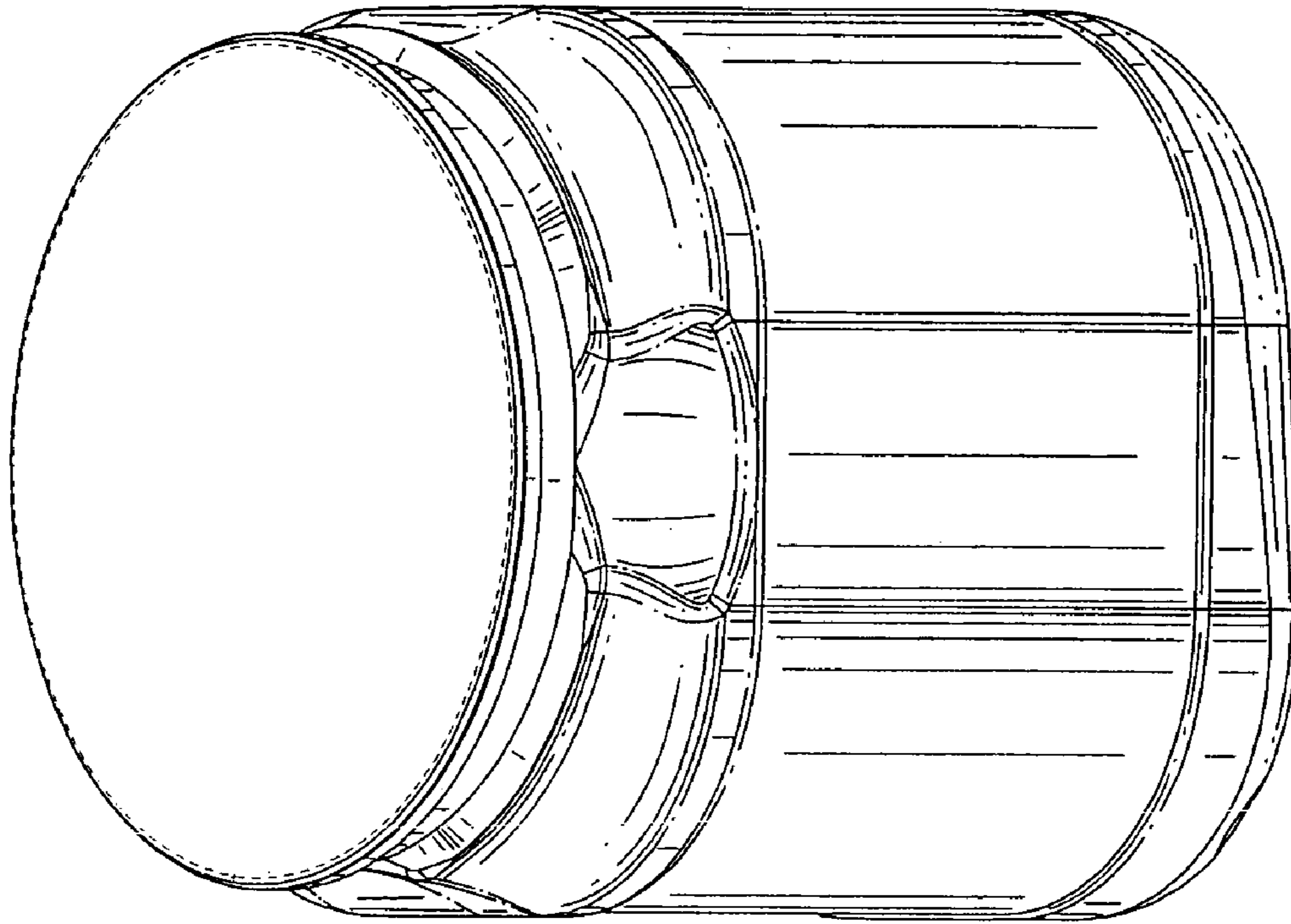


FIG. 2

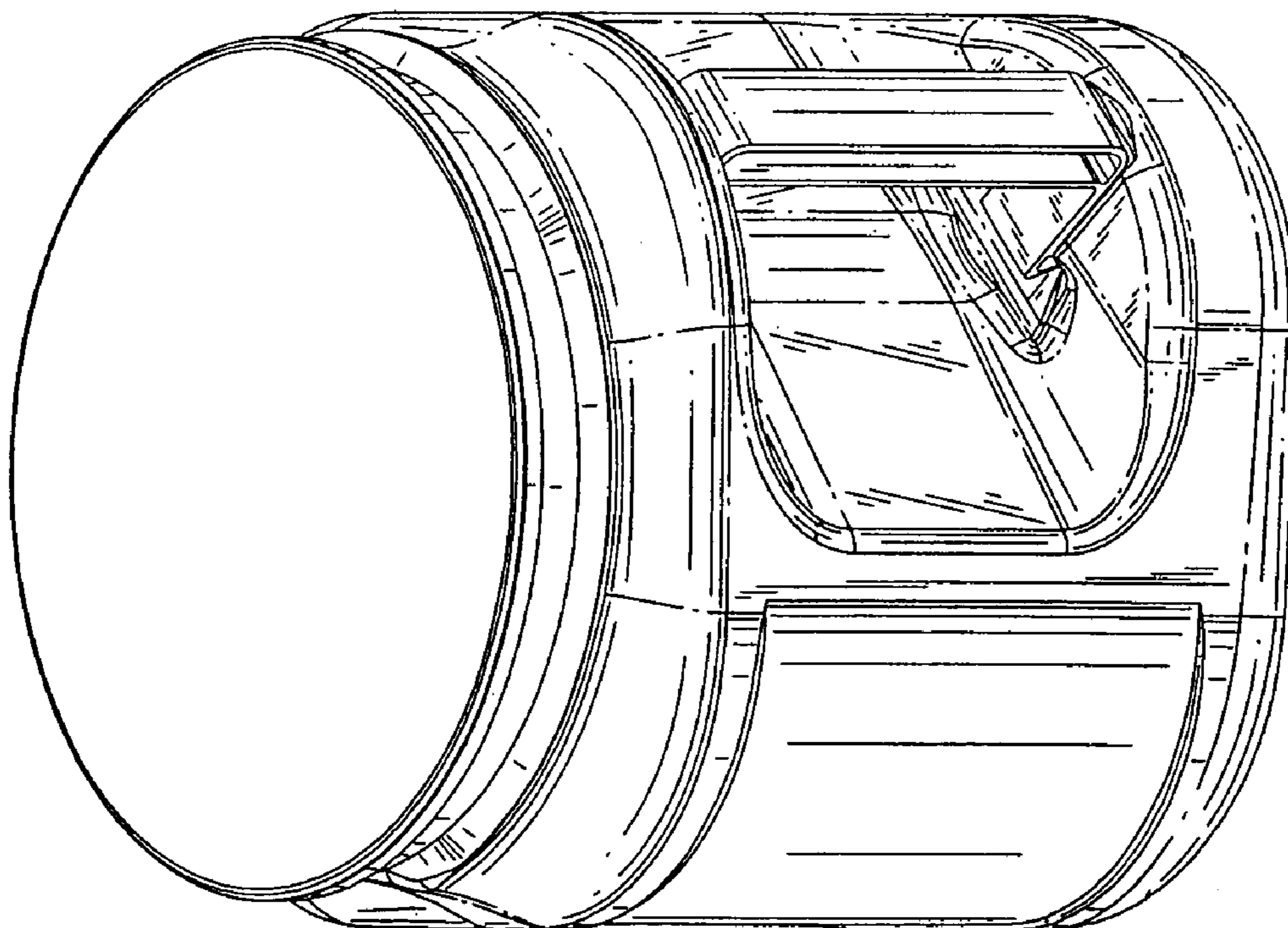


FIG. 1

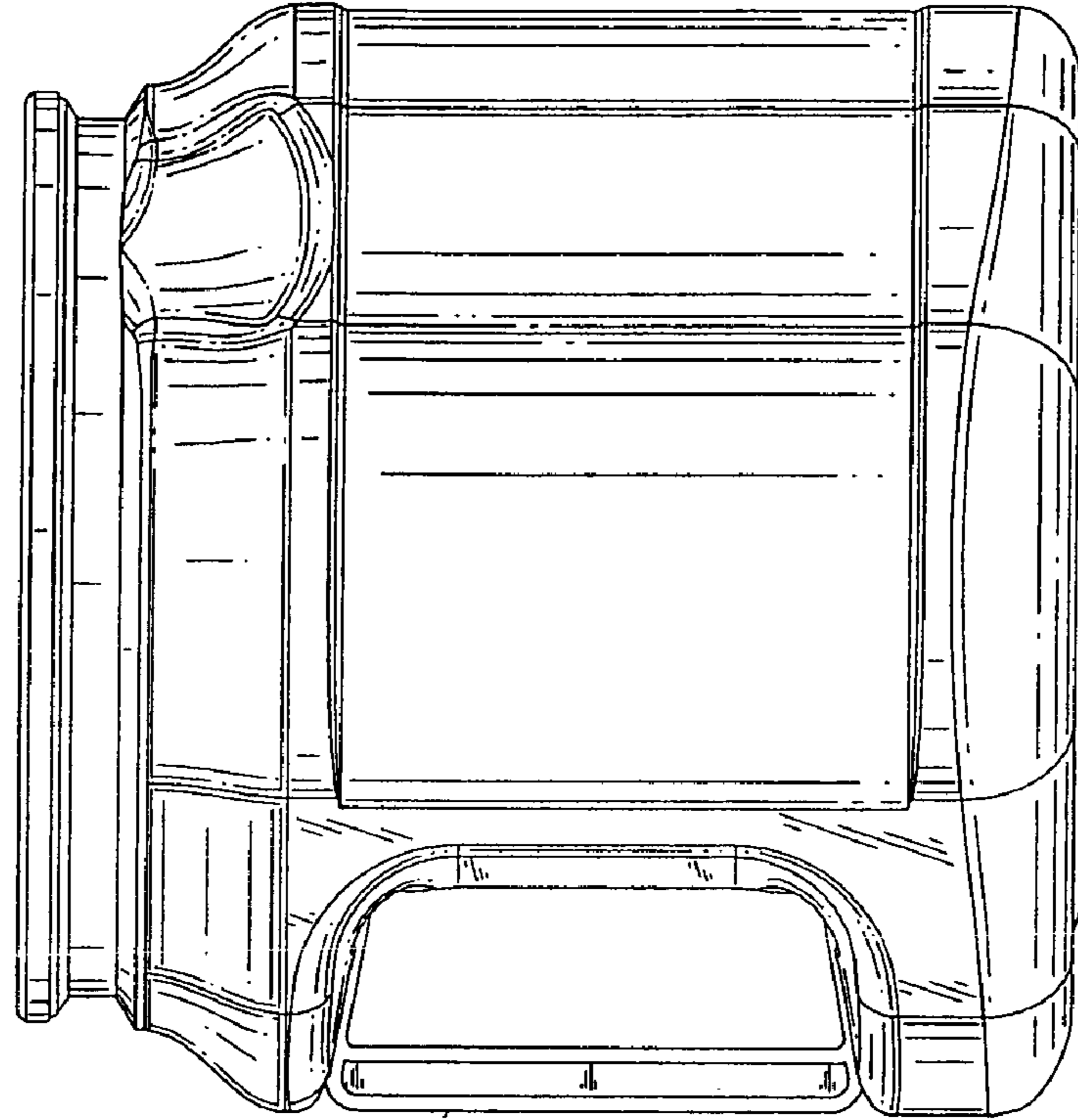


FIG. 4

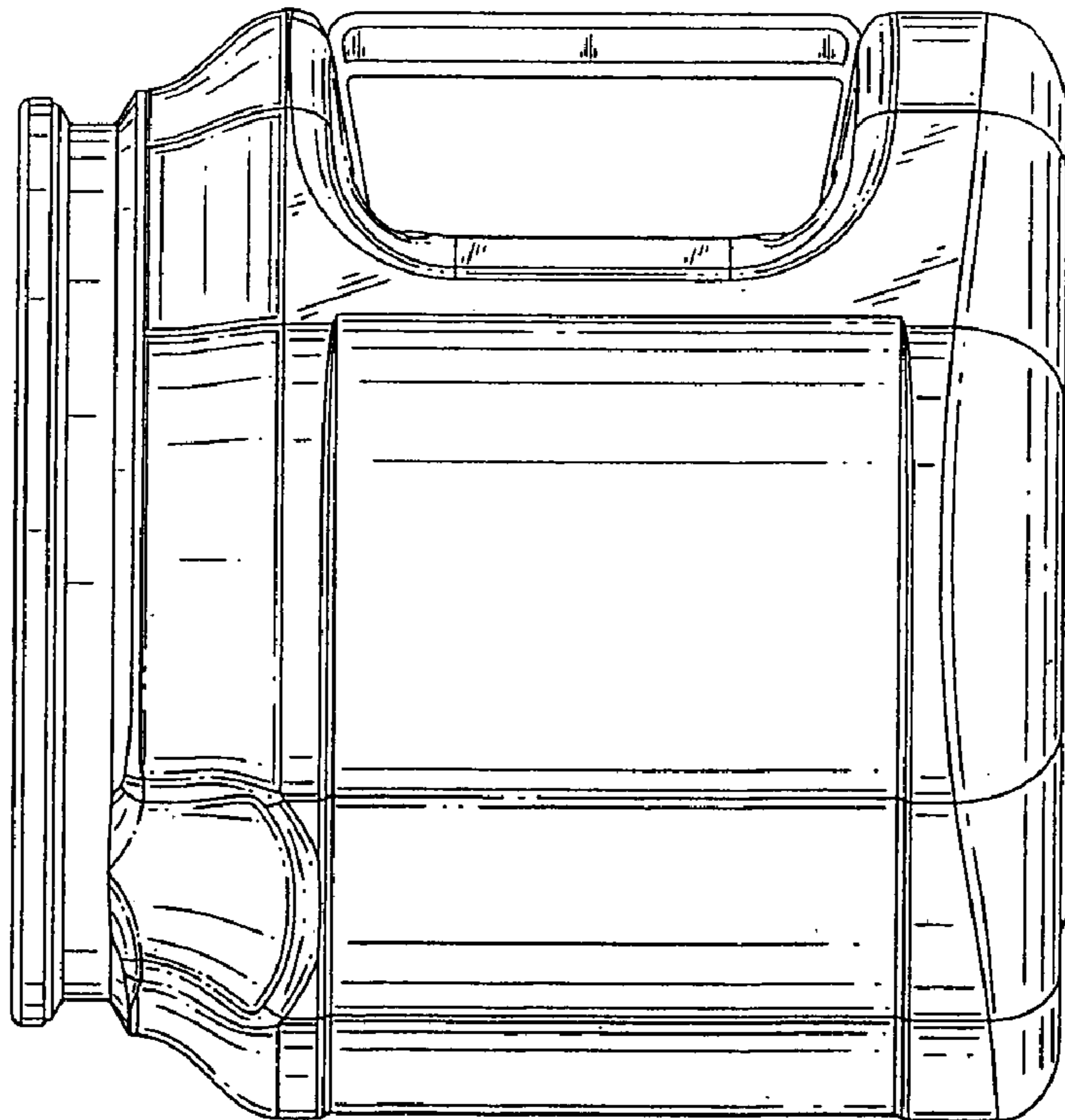


FIG. 3

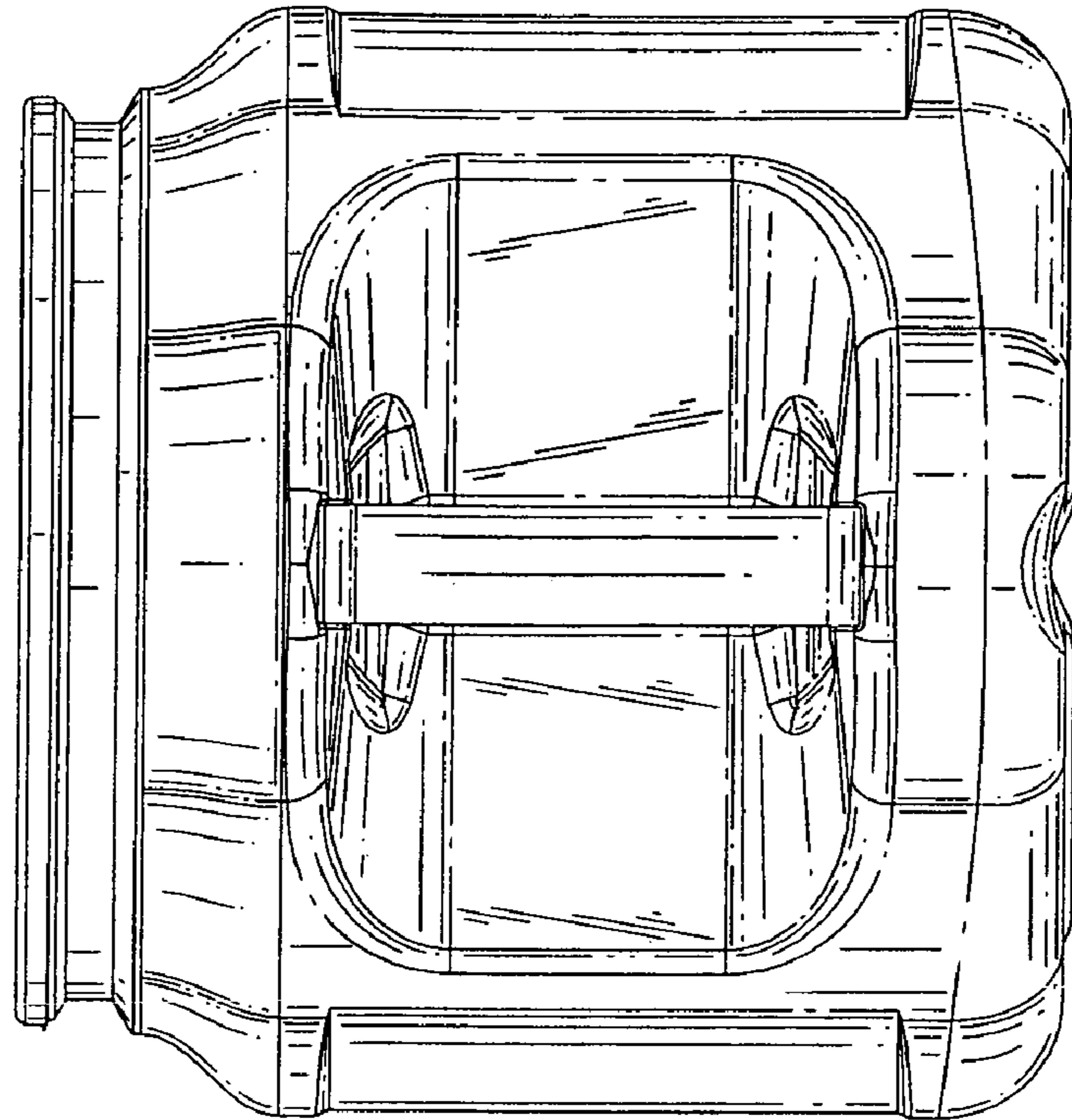


FIG. 6

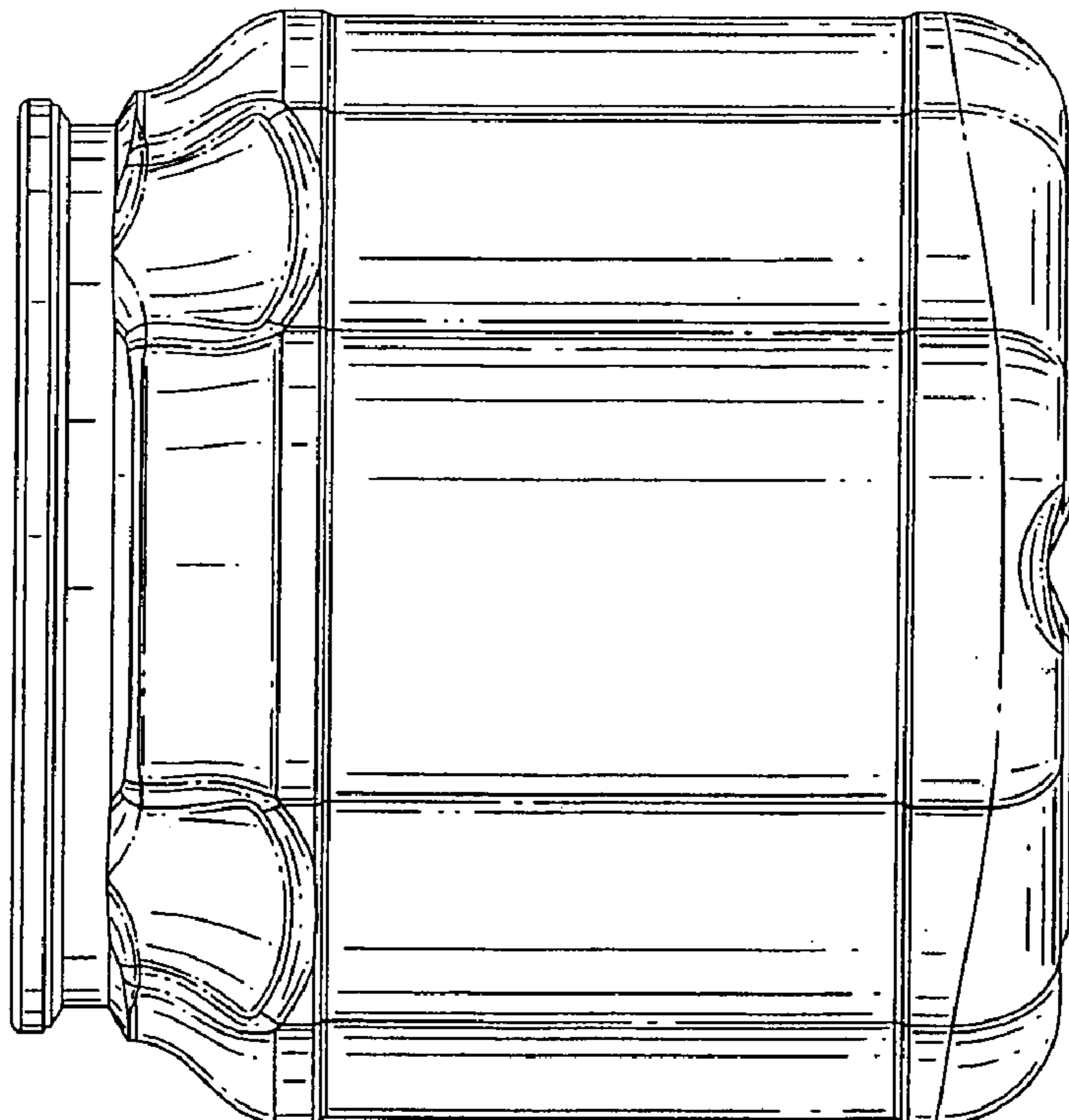


FIG. 5

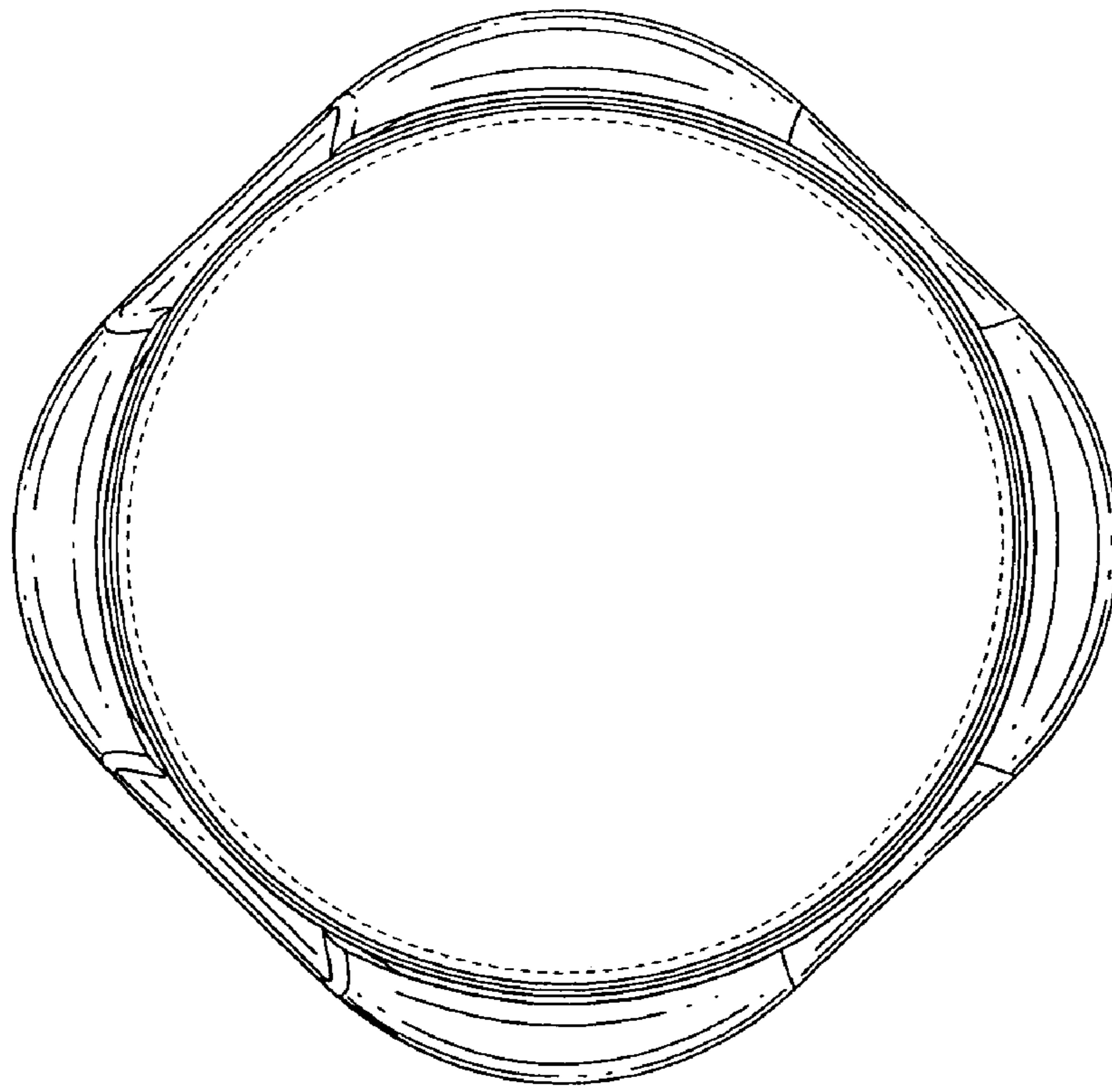


FIG. 7