



US00D548588S

(12) **United States Design Patent**
Bouveret et al.

(10) **Patent No.:** **US D548,588 S**

(45) **Date of Patent:** **** Aug. 14, 2007**

(54) **CONTAINER**

(75) Inventors: **Nicolas Bouveret**, Mirabel (CA);
Jean-Pierre Lacroix, Bois d'Amont
(FR)

(73) Assignee: **North America I.M.L. Containers**,
St-Placide (CA)

(**) Term: **14 Years**

(21) Appl. No.: **29/248,386**

(22) Filed: **Aug. 14, 2006**

(51) **LOC (8) Cl.** **09-03**

(52) **U.S. Cl.** **D9/428**

(58) **Field of Classification Search** D9/414-432,
D9/748-762, 449, 456; D7/601-602, 629;
206/484-484.2, 518, 557, 459.1, 524.3; 220/287,
220/556, 241-2, 780-1, 350
See application file for complete search history.

(56) **References Cited**

U.S. PATENT DOCUMENTS

3,448,888	A	*	6/1969	Collie et al.	220/781
D285,906	S	*	9/1986	Tyler	D9/425
D288,063	S	*	2/1987	Tyler	D9/425
D336,850	S	*	6/1993	Guillin	D9/429
D383,671	S	*	9/1997	Phillips	D9/429
D390,109	S	*	2/1998	Tucker et al.	D9/425
D416,797	S	*	11/1999	Rabe et al.	D9/431
D489,975	S	*	5/2004	Jackson et al.	D9/425
D496,272	S	*	9/2004	Jackson et al.	D9/425
D502,394	S	*	3/2005	Jackson et al.	D9/425

* cited by examiner

Primary Examiner—Louis S. Zarfes

Assistant Examiner—Susan E. Krakower

(74) *Attorney, Agent, or Firm*—Ogilvy Renault LLP

(57) **CLAIM**

The ornamental design for a container, as shown and described.

DESCRIPTION

FIG. 1 is a top perspective view of a first embodiment of the container;

FIG. 2 is a bottom perspective view thereof;

FIG. 3 is a side elevation view thereof;

FIG. 4 is an end elevation view thereof;

FIG. 5 is a top plan view thereof;

FIG. 6 is a bottom plan view thereof;

FIG. 7 is a top perspective view of a second embodiment of the container;

FIG. 8 is a bottom perspective view thereof;

FIG. 9 is a side elevation view thereof;

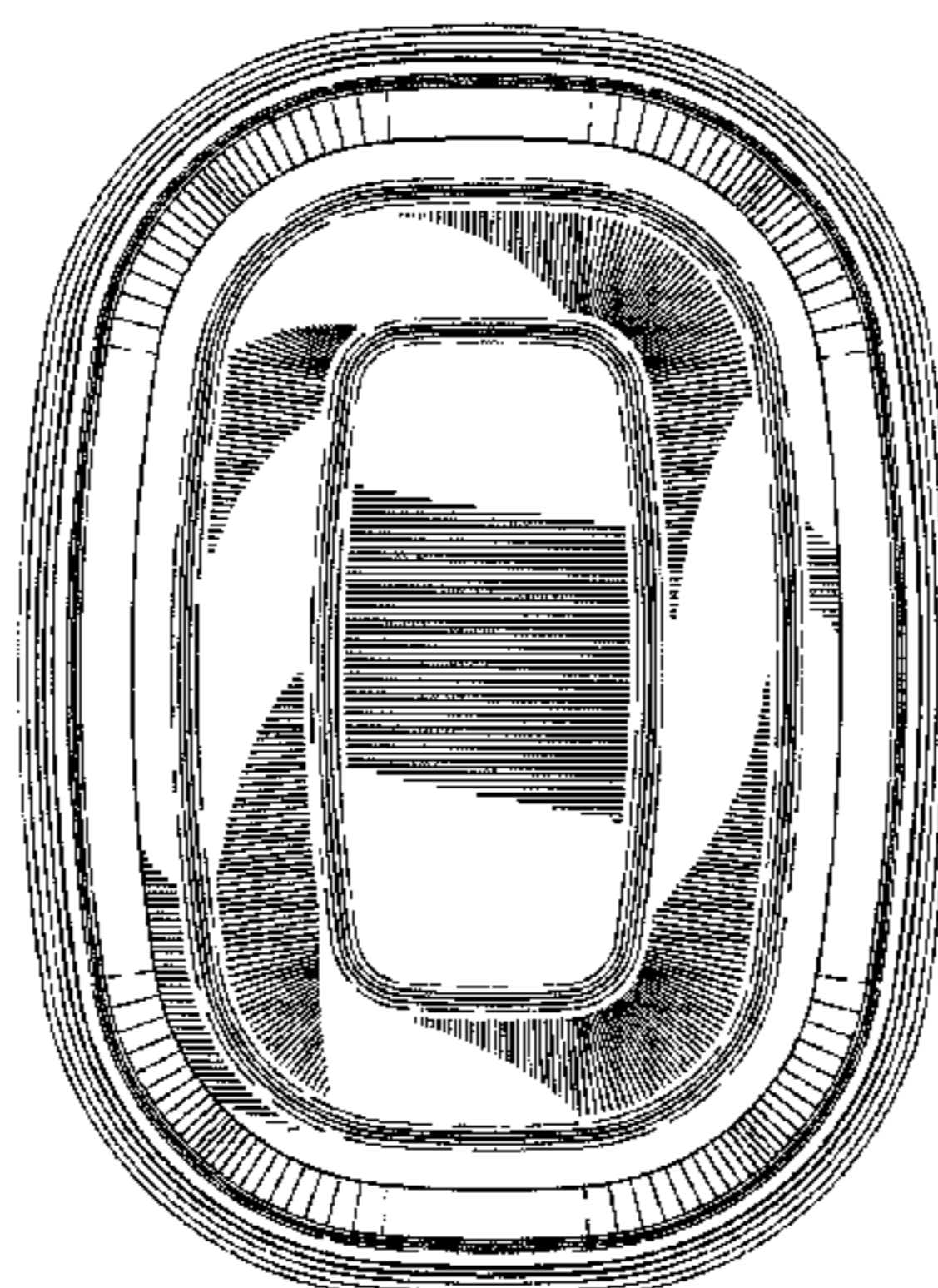
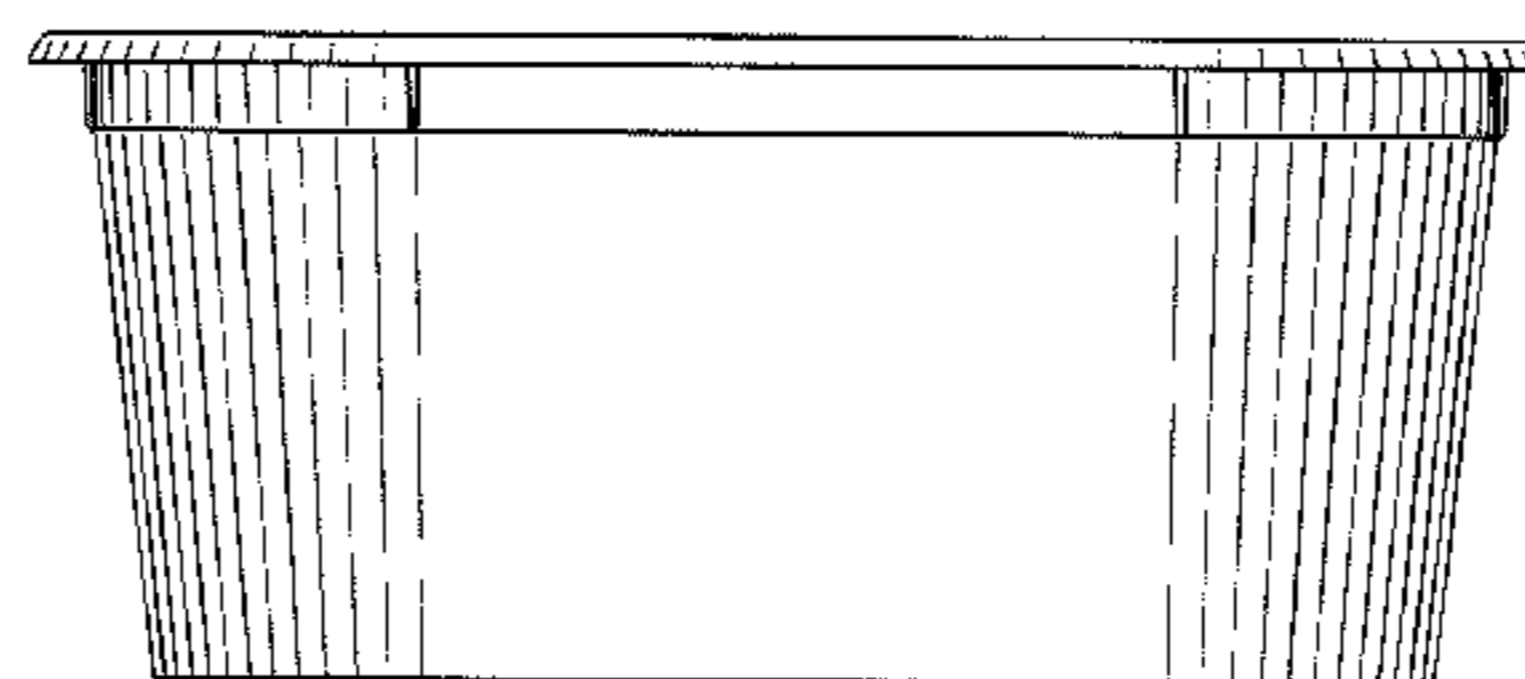
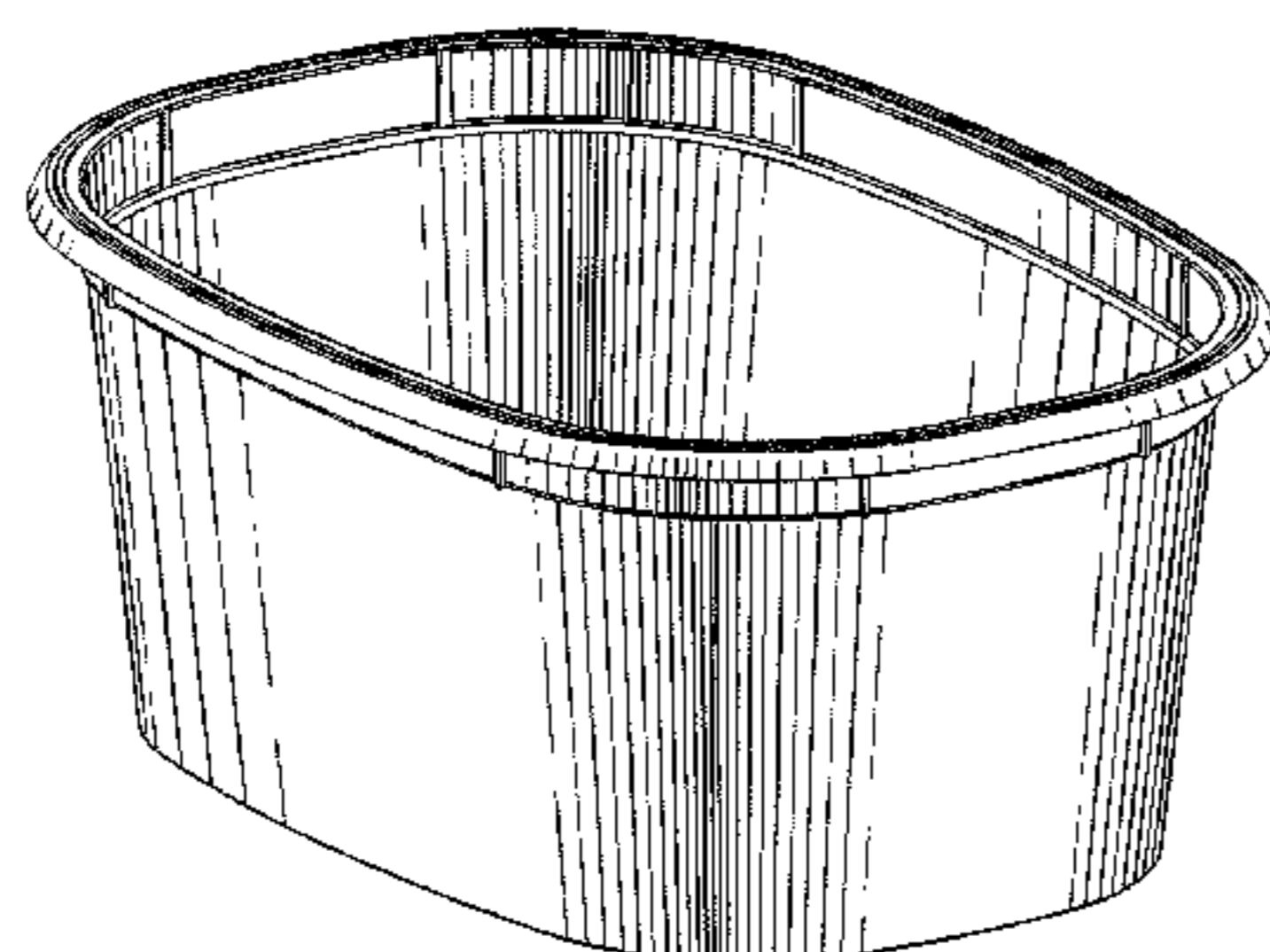
FIG. 10 is an end elevation view thereof;

FIG. 11 is a top plan view thereof; and,

FIG. 12 is a bottom plan view thereof.

The broken lines in some figures are for illustrative purposes only and form no part of the claimed design.

1 Claim, 10 Drawing Sheets



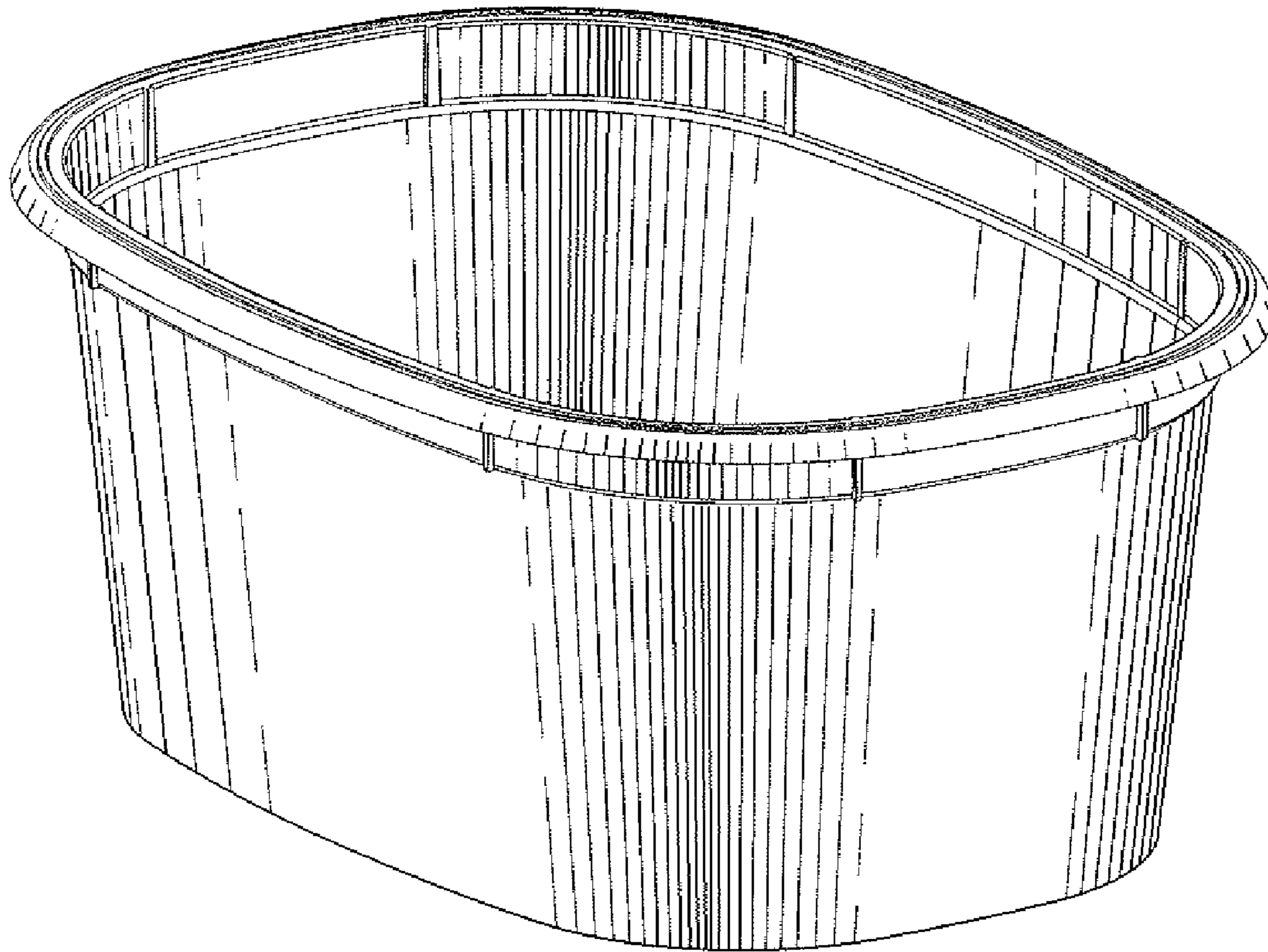


FIG-1

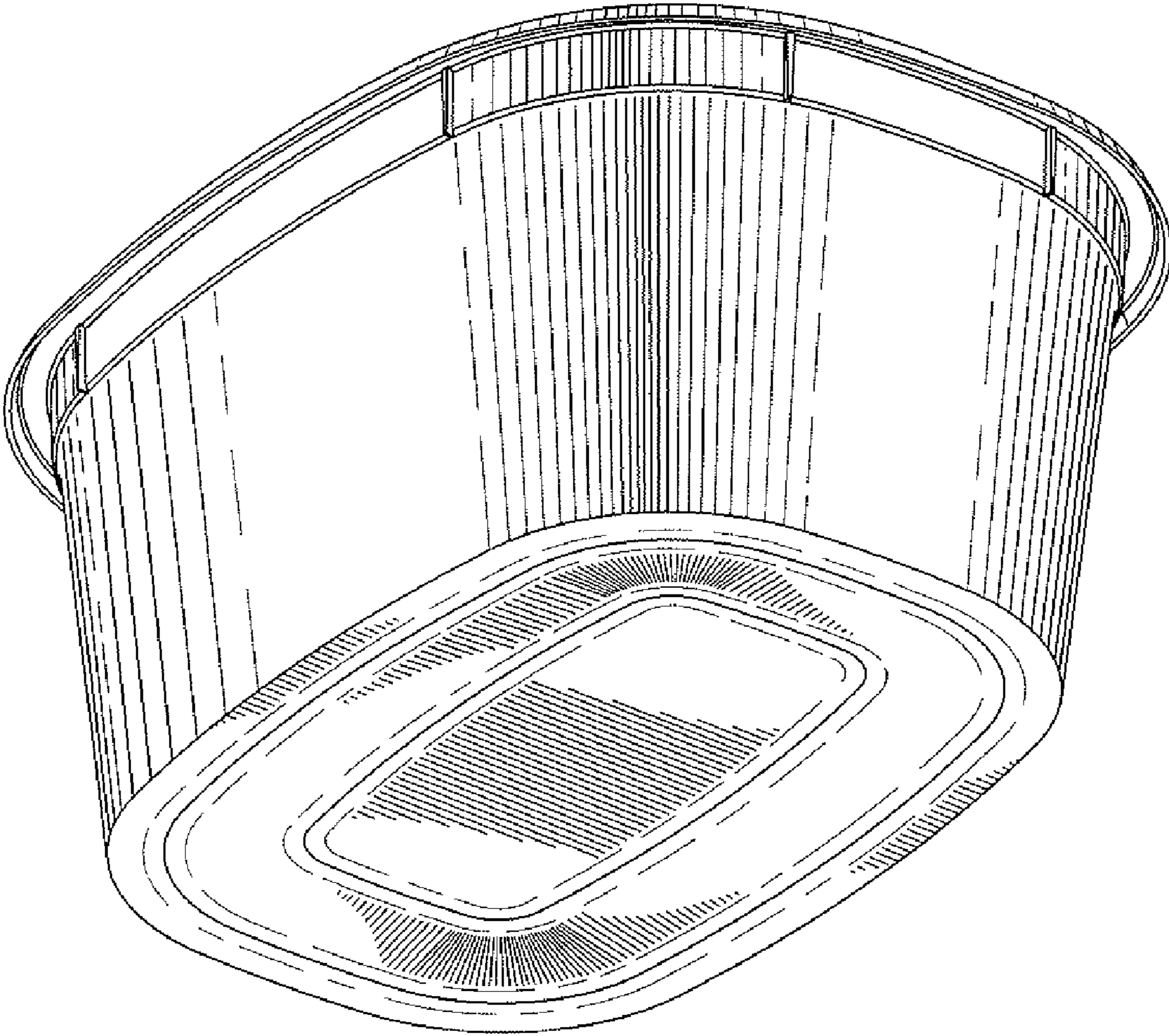


FIG-2

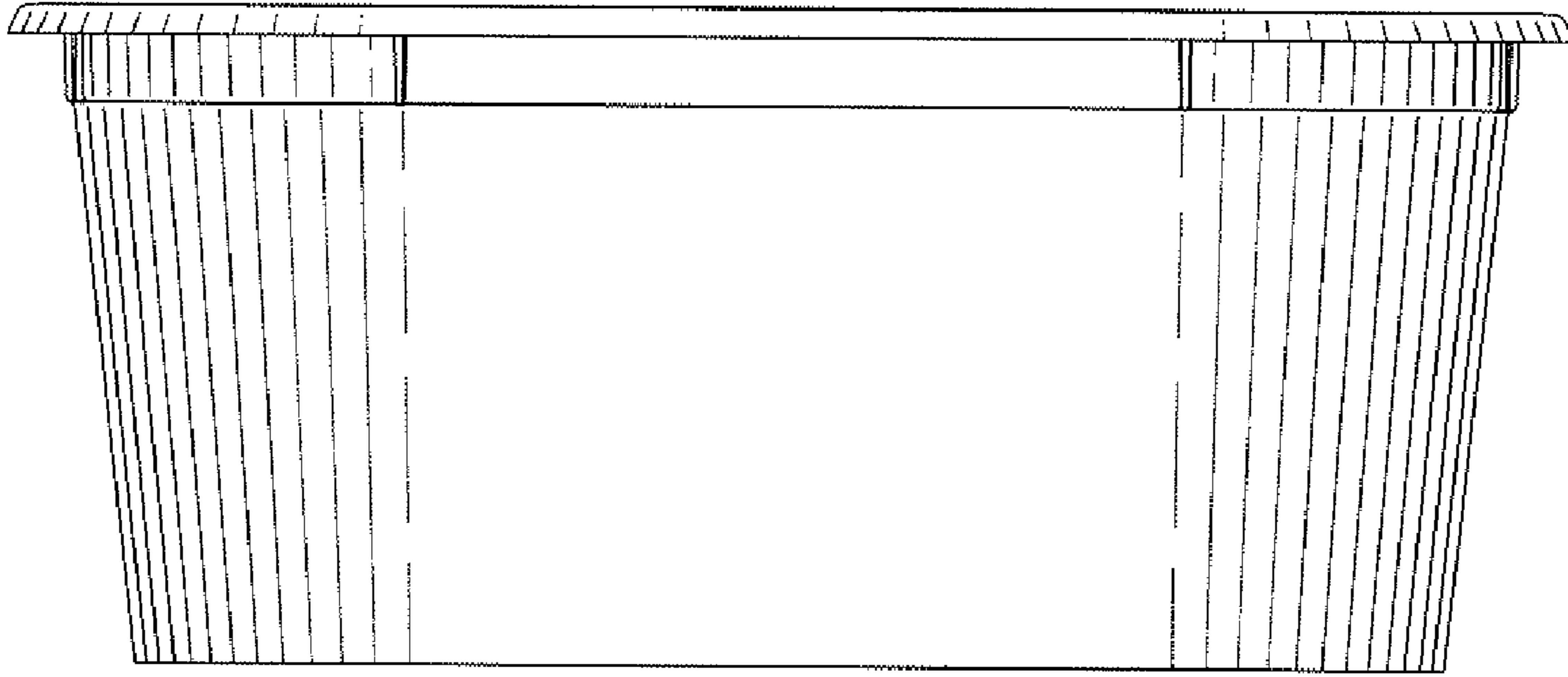


FIG-3

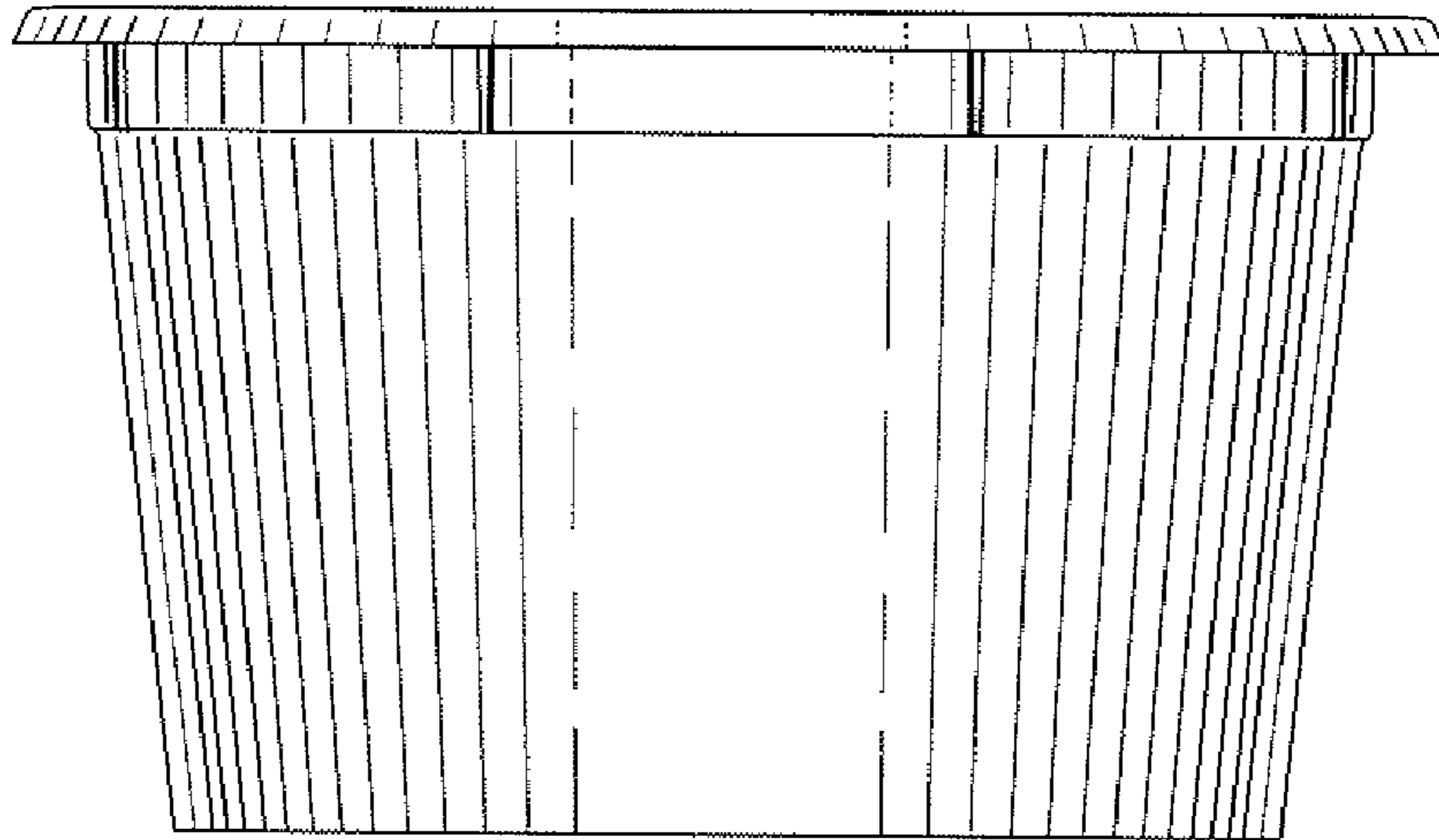


FIG-4

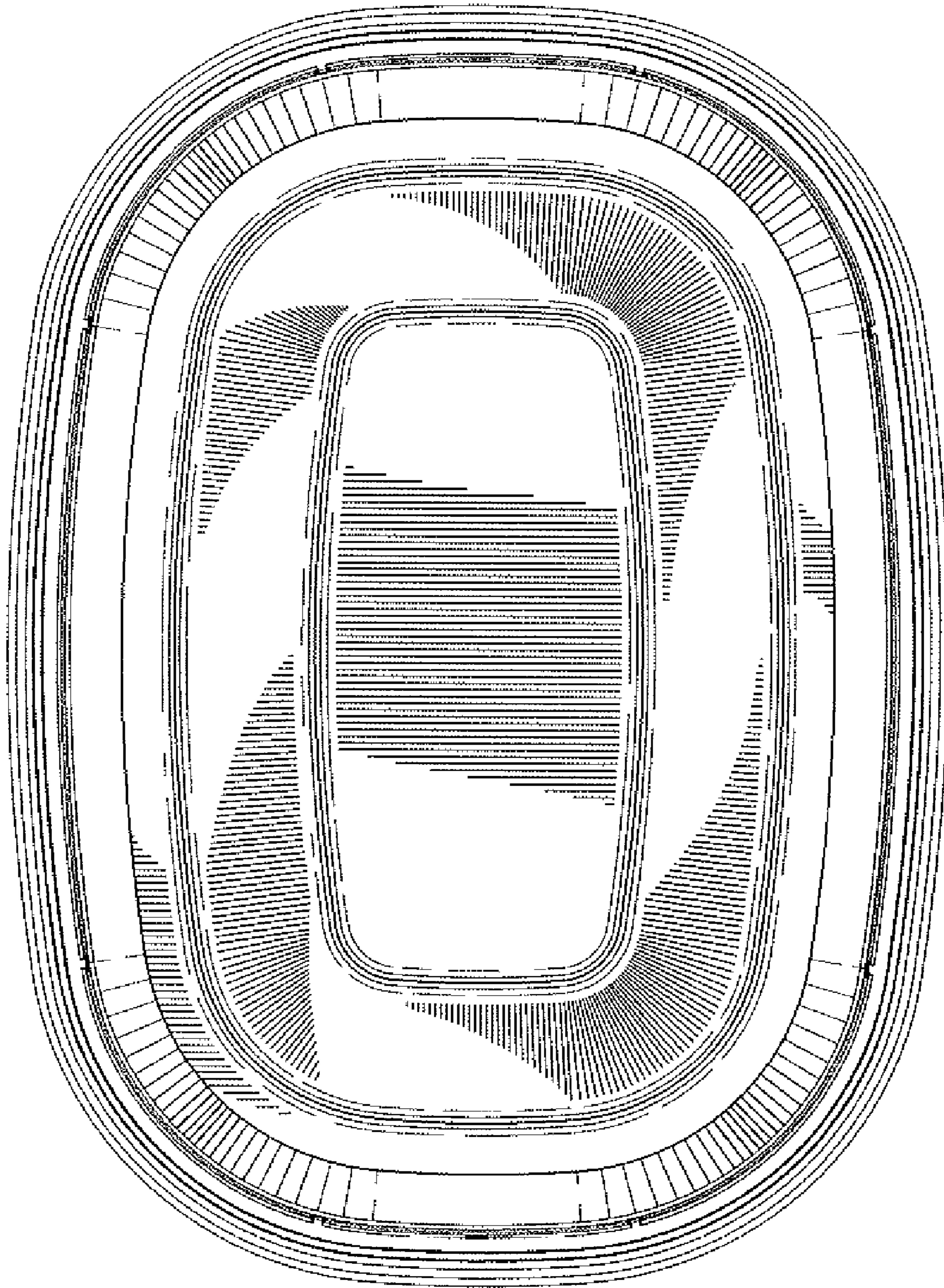


FIG. 5

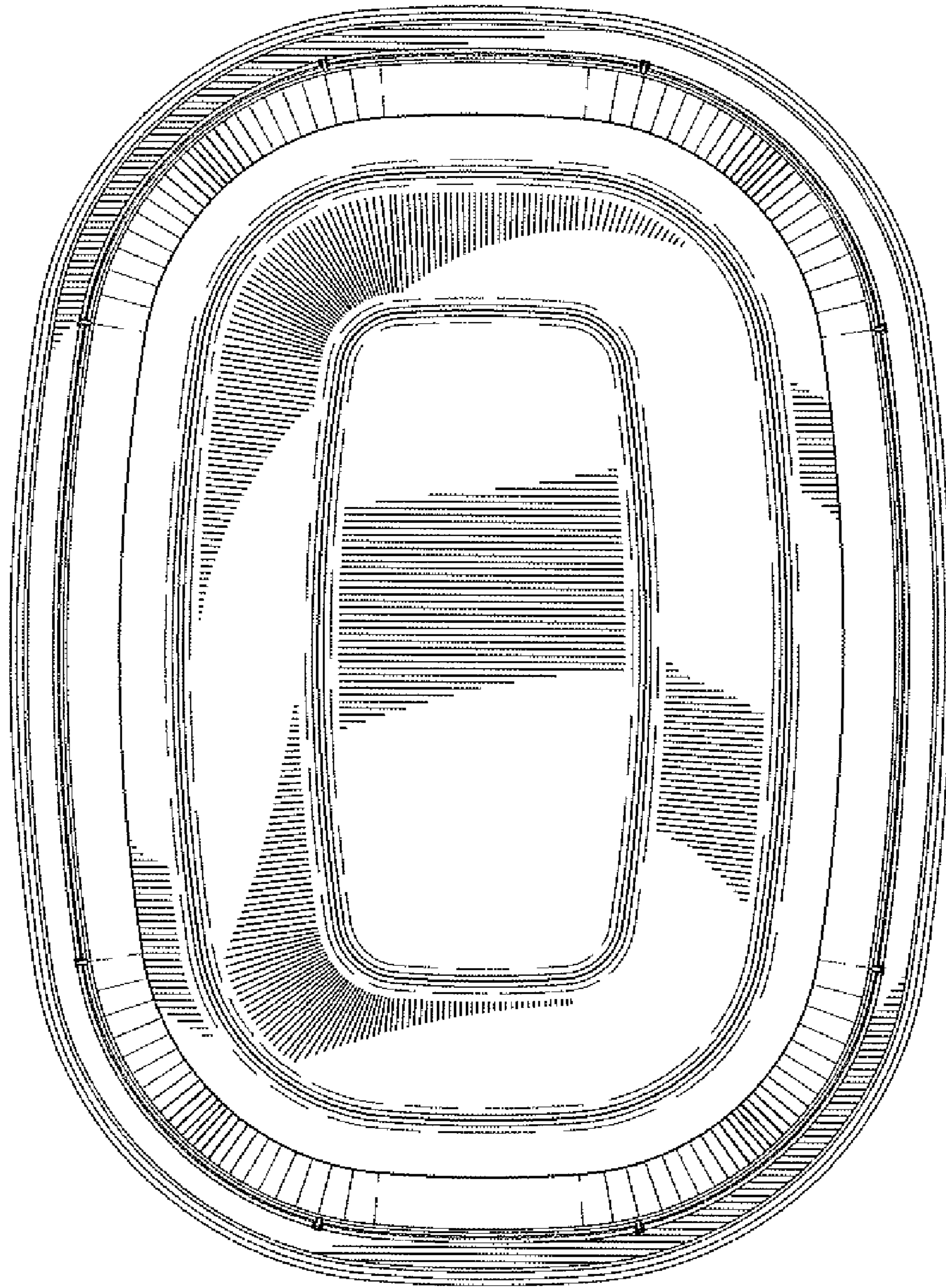


Fig. 6

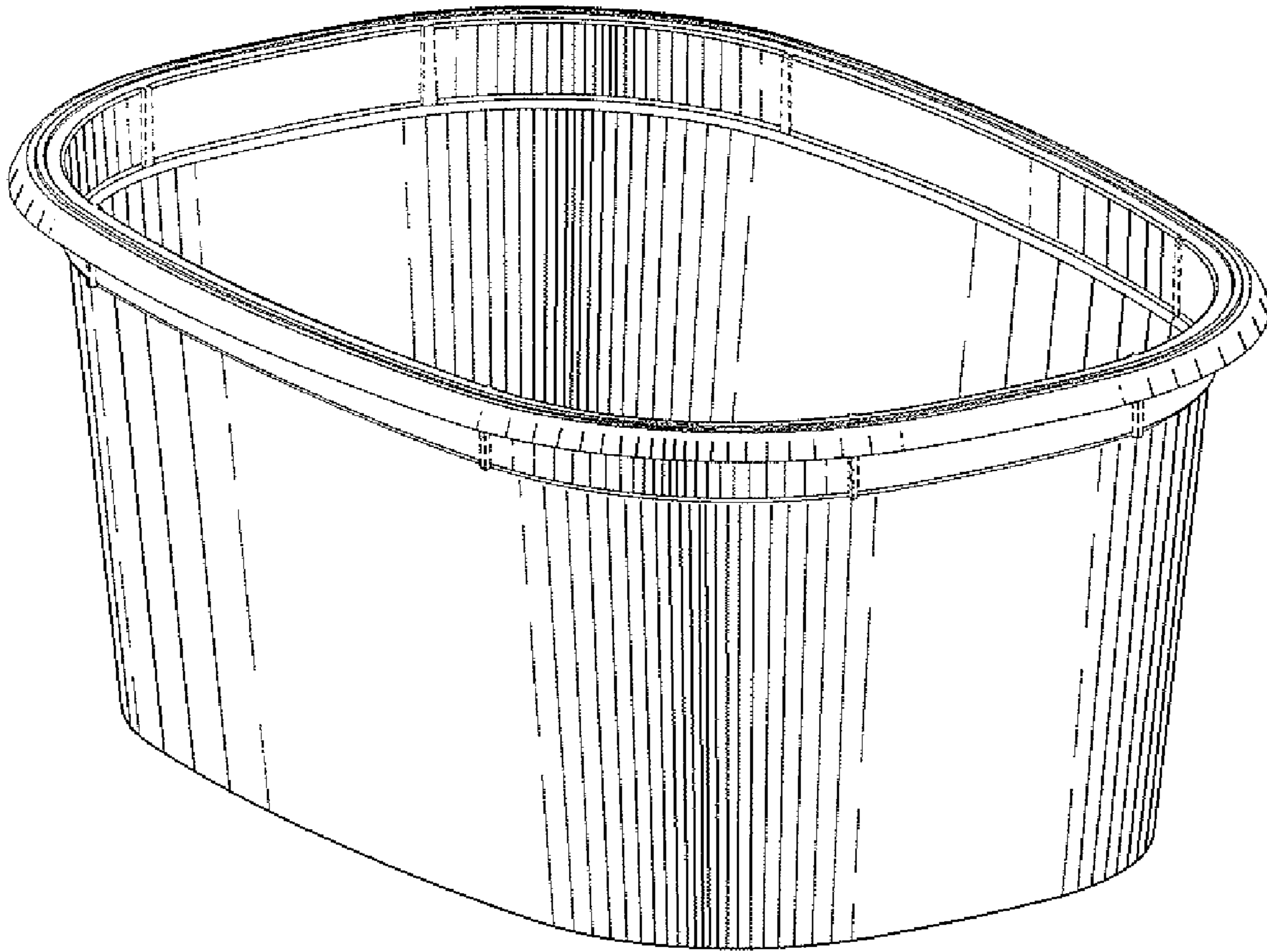


Fig-7

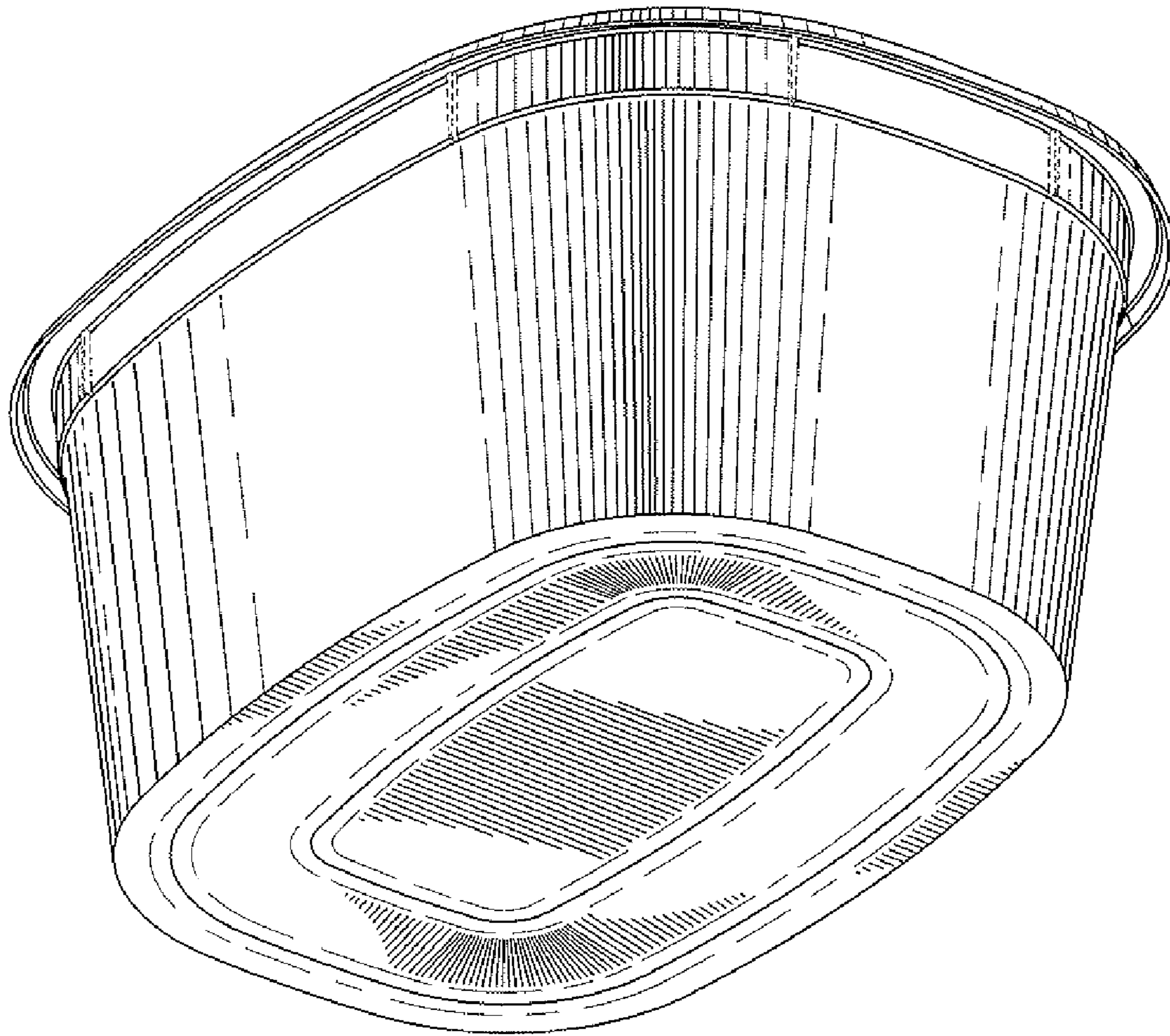


Fig. 8

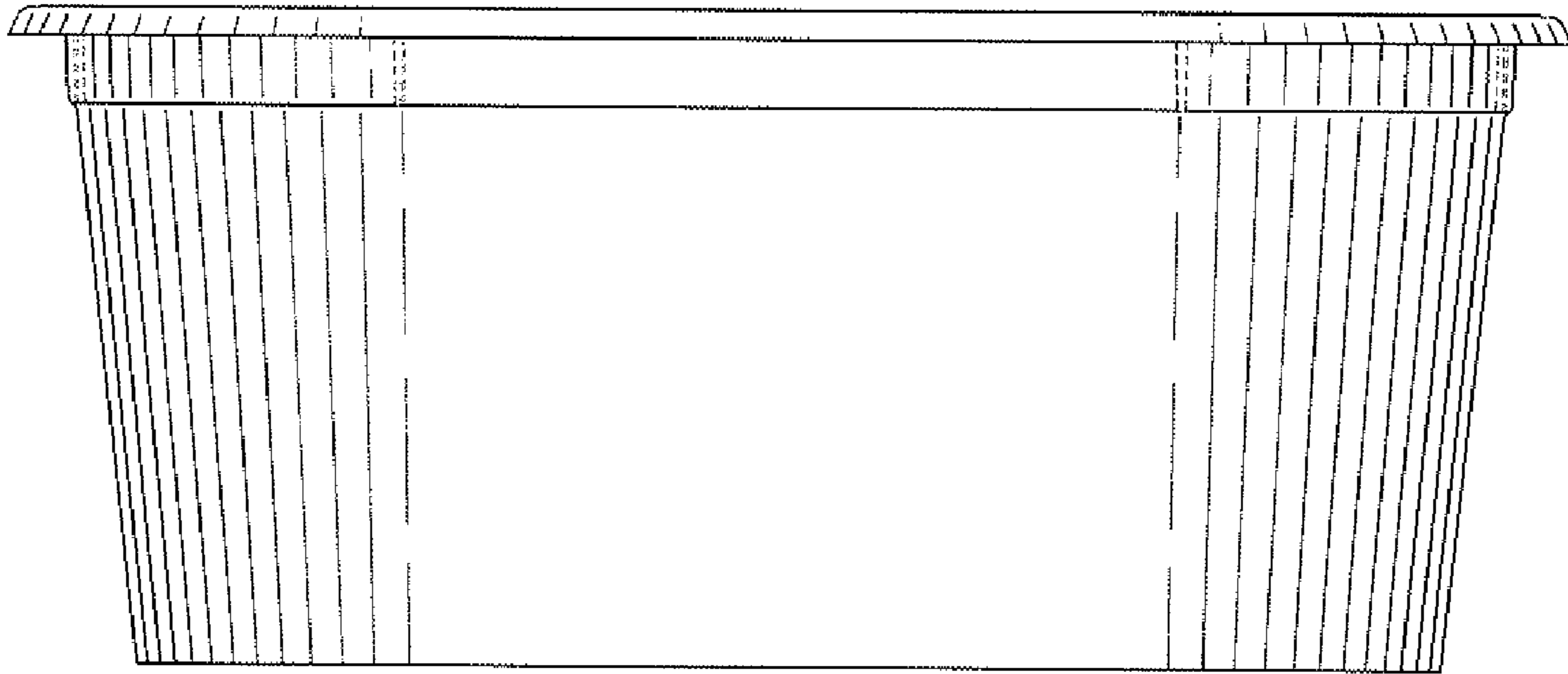


FIG-9

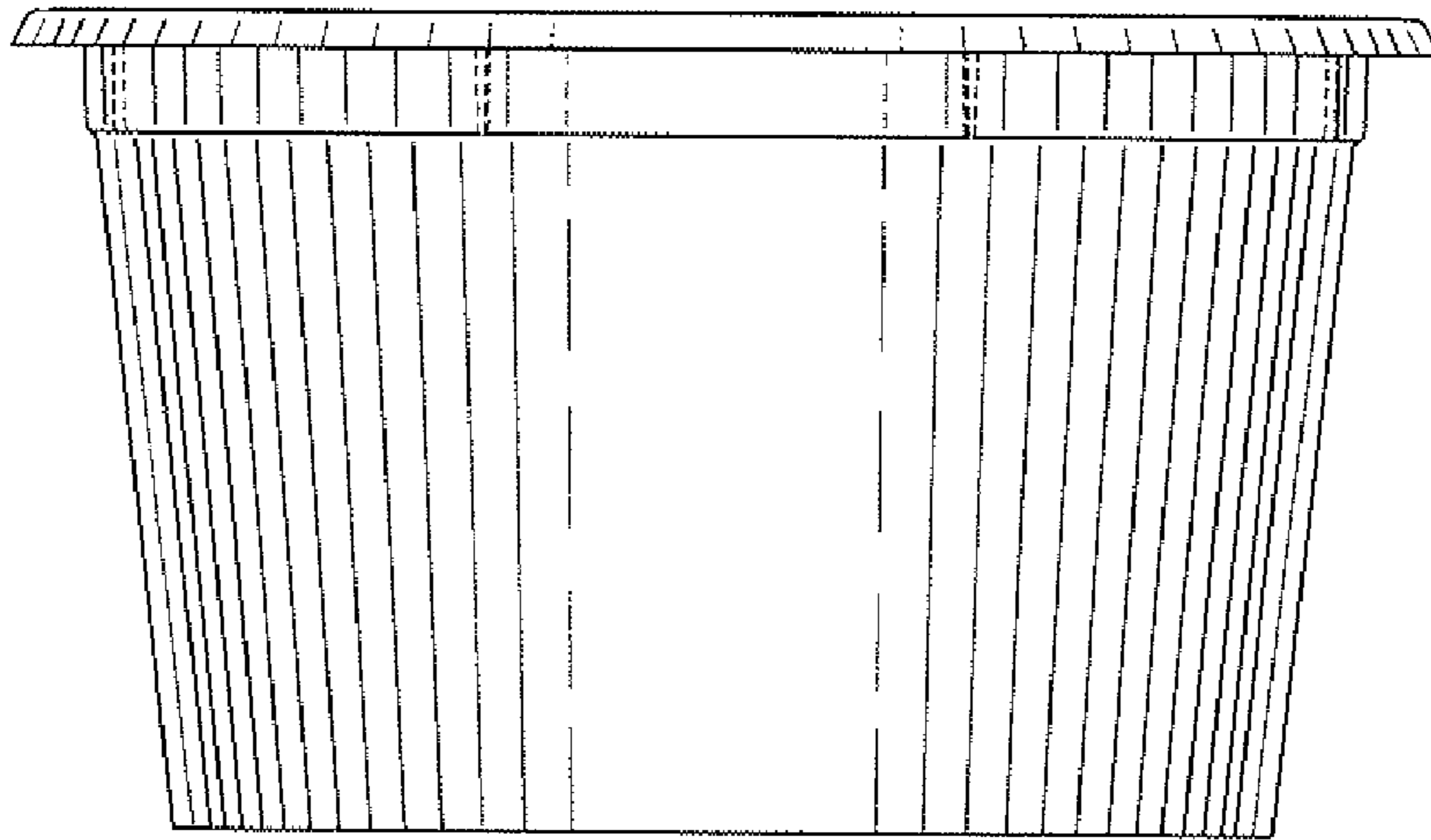


FIG-10

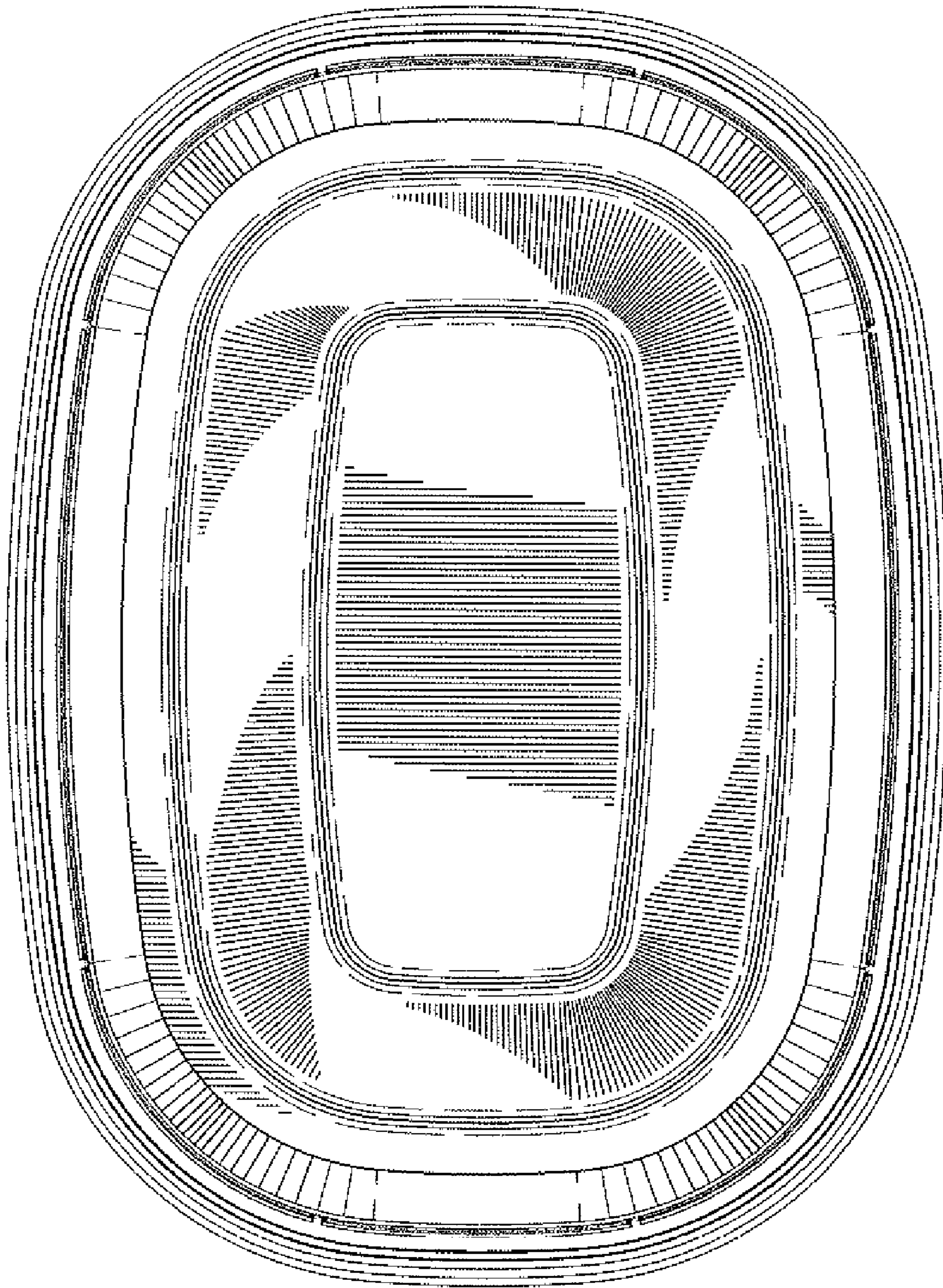


Fig. 11

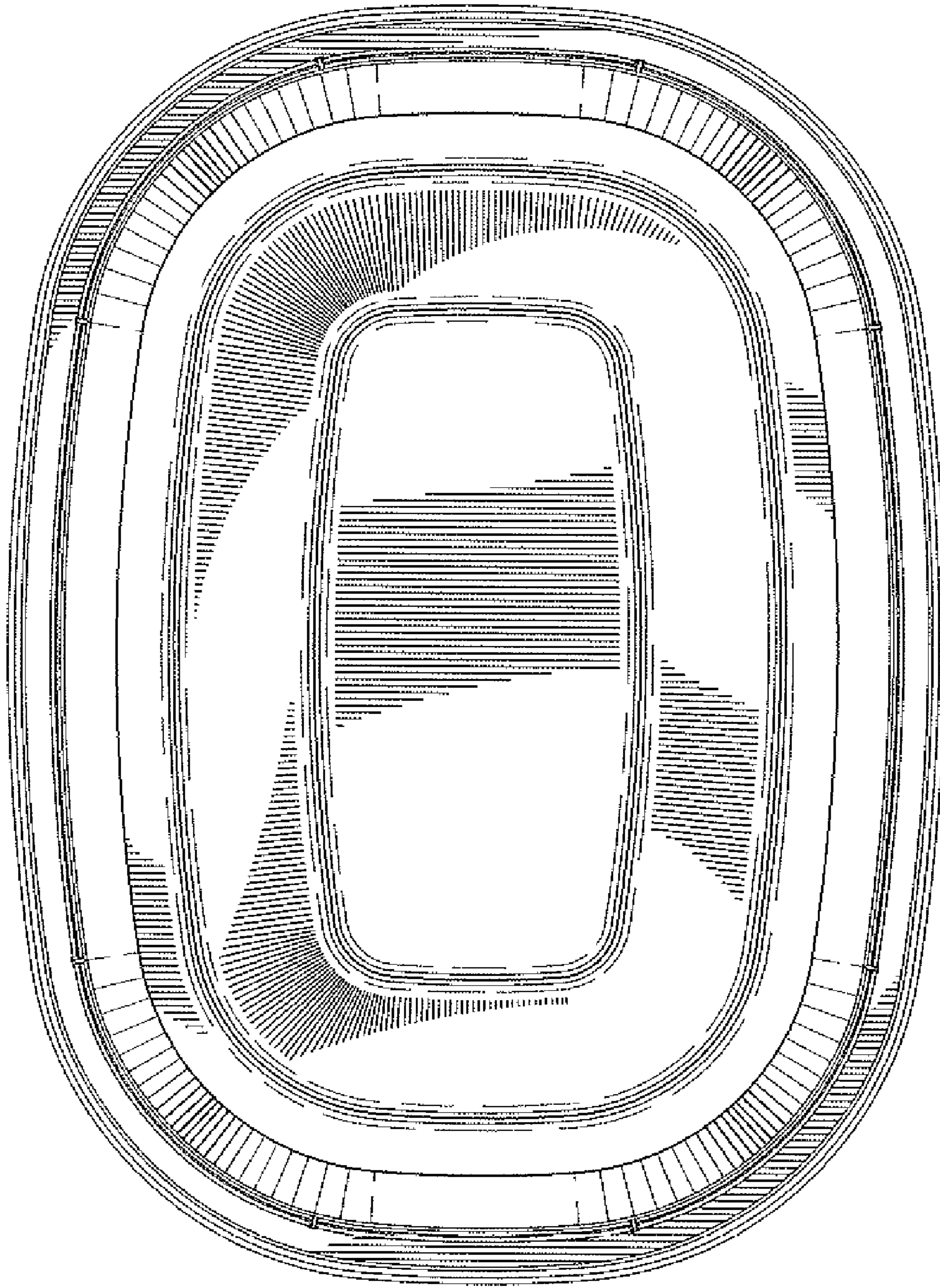


FIG. 12